



US00D983886S

(12) **United States Design Patent** (10) **Patent No.:** **US D983,886 S**  
**Pontrelli et al.** (45) **Date of Patent:** **\*\* Apr. 18, 2023**

(54) **GAME BOARD HOLDER**

(71) Applicants: **Michael Anthony Pontrelli**, Fallbrook, CA (US); **John Wallace Rockett**, San Diego, CA (US)

(72) Inventors: **Michael Anthony Pontrelli**, Fallbrook, CA (US); **John Wallace Rockett**, San Diego, CA (US)

(73) Assignee: **John Wallace Rockett**, San Diego, CA (US)

(\*\*) Term: **15 Years**

(21) Appl. No.: **29/799,786**

(22) Filed: **Jul. 16, 2021**

**Related U.S. Application Data**

(63) Continuation-in-part of application No. 17/192,662, filed on Mar. 4, 2021, now Pat. No. 11,173,363.

(60) Provisional application No. 63/106,895, filed on Oct. 29, 2020.

(51) **LOC (14) Cl.** ..... **21-01**

(52) **U.S. Cl.**

USPC ..... **D21/392**

(58) **Field of Classification Search**

USPC ..... D21/334, 336, 337, 338, 341, 349, 385, D21/386, 388, 389, 342, 346, 392, 391, D21/393, 396, 397; 273/236, 241, 242, 273/260, 287, 288, 290, 148 R, 309, 273/282.1, 283, 271, 272, 275, 264, 276, 273/261, 281, 282.2, 282.3, 239, 294, 273/285, 153 R, 157 R, 357; D19/64; 434/188, 190, 191, 205; 235/64  
CPC .... A63F 3/00; A63F 3/00533; A63F 3/00173; A63F 3/00261; A63F 3/00542; A63F 3/00697; A63F 3/02; A63F 2003/00255; A63F 2003/0022; A63F 2003/00223; A63F 2003/0023; A63F 2003/00406;

A63F 2003/0041; A63F 2003/00457; A63F 2003/00533; A63F 2003/00536; A63F 2003/00539; A63F 2003/00558; A63F 2003/00599; A63F 2003/007; A63F  
(Continued)

(56) **References Cited**

**U.S. PATENT DOCUMENTS**

2,110,005 A 3/1938 Rees  
3,126,666 A 3/1964 Petersen  
D224,658 S \* 8/1972 Cole et al. .... D21/393  
(Continued)

**FOREIGN PATENT DOCUMENTS**

CH 514314 A 10/1971  
DE 2917400 A1 11/1979  
DE 202015101525 U1 4/2015

*Primary Examiner* — Susan Moon Lee

(74) *Attorney, Agent, or Firm* — Procopio Cory Hargreaves and Savitch LLP

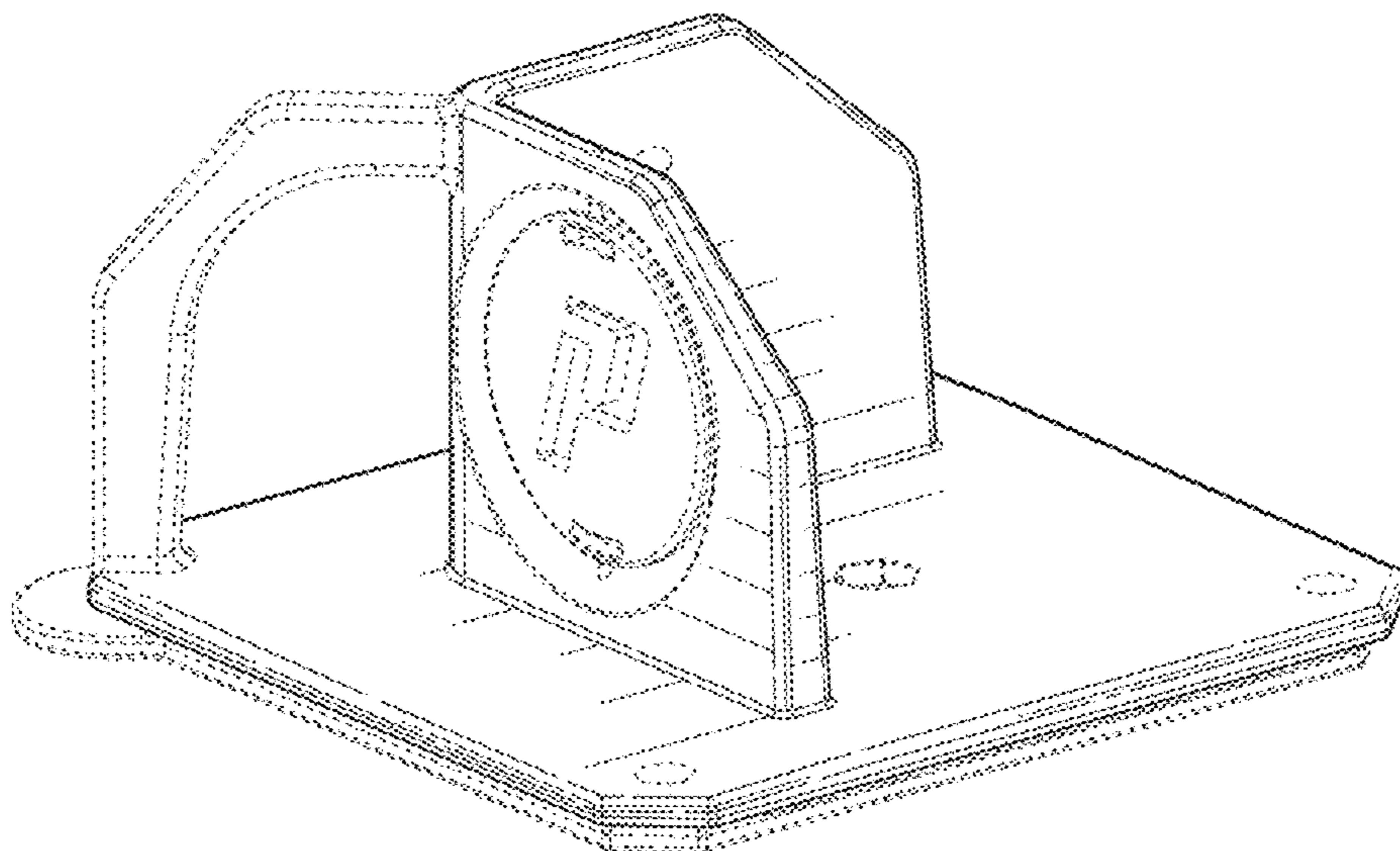
(57) **CLAIM**

The ornamental design for a game board holder, as shown and described.

**DESCRIPTION**

FIG. 1 is a perspective view of the game board holder. FIG. 2 is a front elevational view of the game board holder. FIG. 3 is a rear elevational view of the game board holder. FIG. 4 is a left side elevational view of the game board holder. FIG. 5 is a right side elevational view of the game board holder. FIG. 6 is a top plan view of the game board holder; and, FIG. 7 is a bottom plan view of the game board holder. No claim is made to the portions of the drawings shown in dotted lines, which are shown for environmental purposes.

**1 Claim, 5 Drawing Sheets**



(58) **Field of Classification Search**  
CPC . 2003/00842; A63F 2003/00845; G09B 19/02  
See application file for complete search history.

(56) **References Cited**

U.S. PATENT DOCUMENTS

D268,770 S \* 4/1983 Fiveash ..... D21/337  
4,645,168 A \* 2/1987 Beard ..... F16B 9/052  
248/548  
D319,079 S \* 8/1991 Cunningham ..... D21/393  
5,056,796 A \* 10/1991 Conville ..... A63B 67/06  
273/402  
D326,871 S \* 6/1992 Sabella ..... D21/392  
5,743,506 A 4/1998 Adams  
5,823,492 A 10/1998 Anselmo  
6,119,998 A 9/2000 Anselmo  
6,840,488 B2 \* 1/2005 Ngo ..... A47B 91/12  
248/346.11  
D544,548 S \* 6/2007 Miller ..... D21/337  
8,157,265 B2 \* 4/2012 Conville ..... A63B 67/06  
273/402  
9,381,414 B1 7/2016 Gatton  
D900,940 S \* 11/2020 Wu ..... D21/392  
10,881,205 B2 1/2021 Angel  
11,173,363 B1 \* 11/2021 Pontrelli ..... A63B 71/023  
2006/0152345 A1 7/2006 Aitkenhead  
2012/0252543 A1 10/2012 Cho  
2014/0091526 A1 4/2014 Nally  
2015/0108719 A1 4/2015 Devine  
2016/0183393 A1 6/2016 Groom  
2017/0224113 A1 8/2017 Heege  
2019/0232136 A1 8/2019 Krause  
2020/0129835 A1 4/2020 Clark  
2020/0298079 A1 9/2020 Mullins

\* cited by examiner

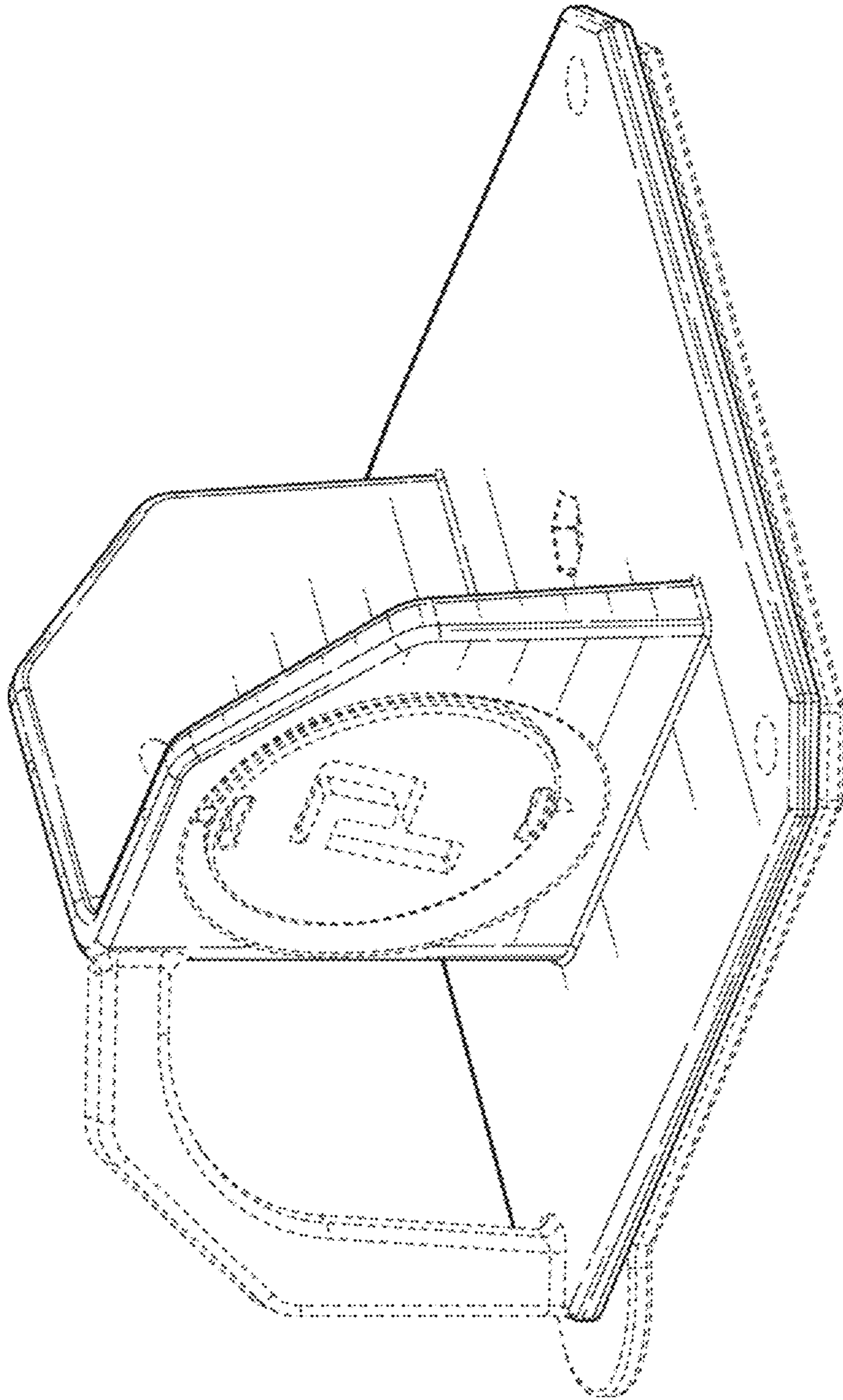


FIG. 1

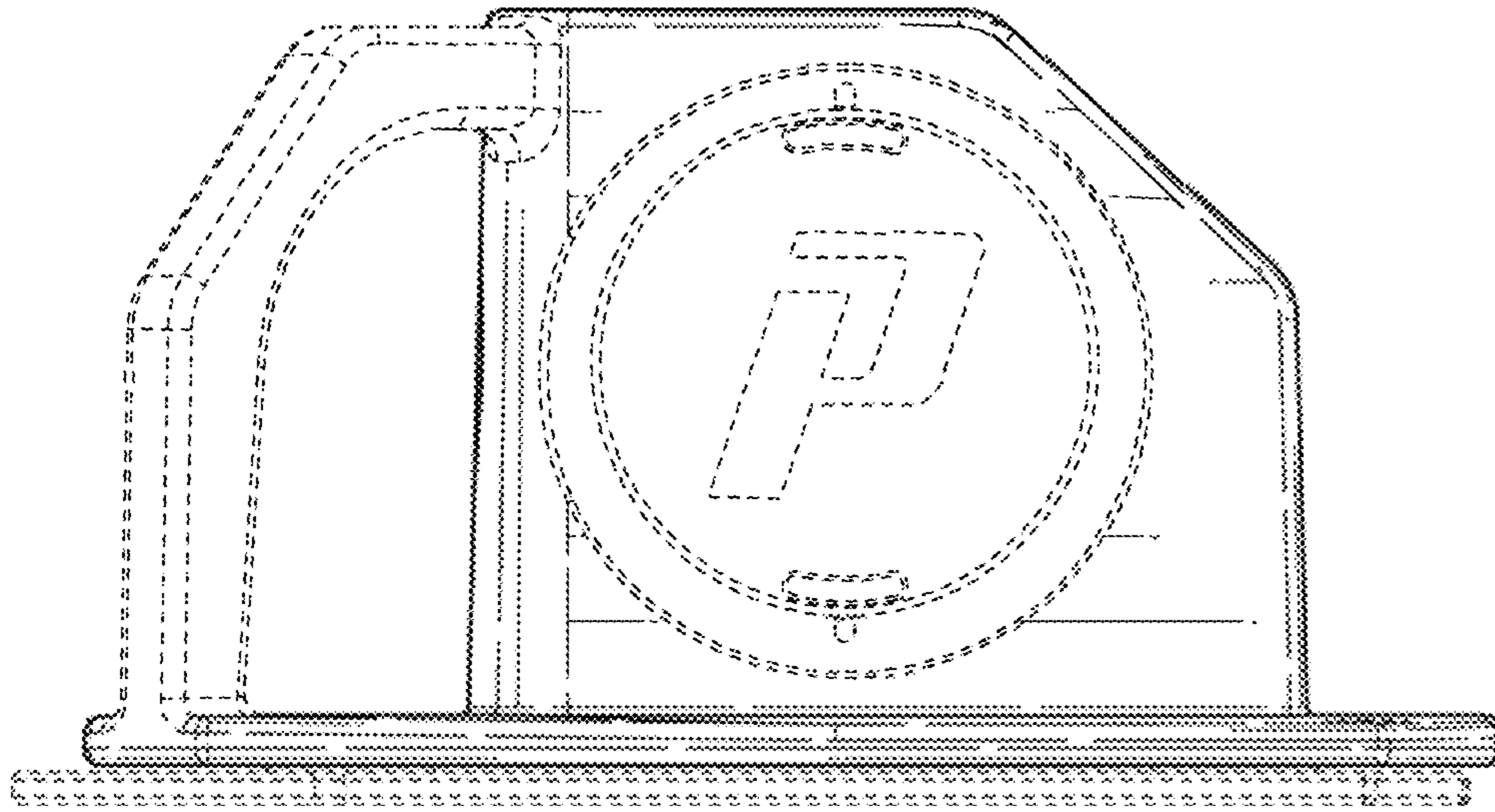


FIG. 2

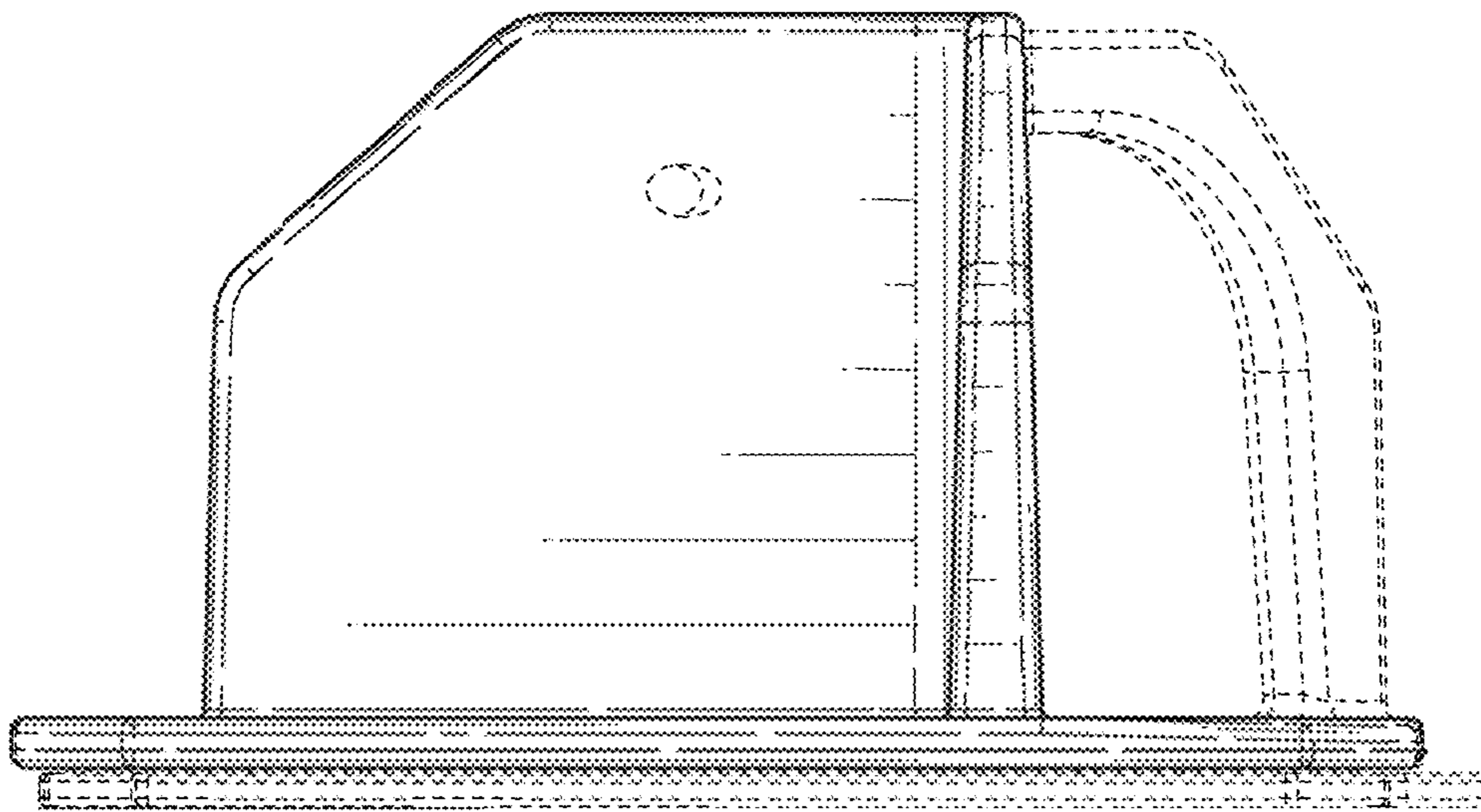


FIG. 3

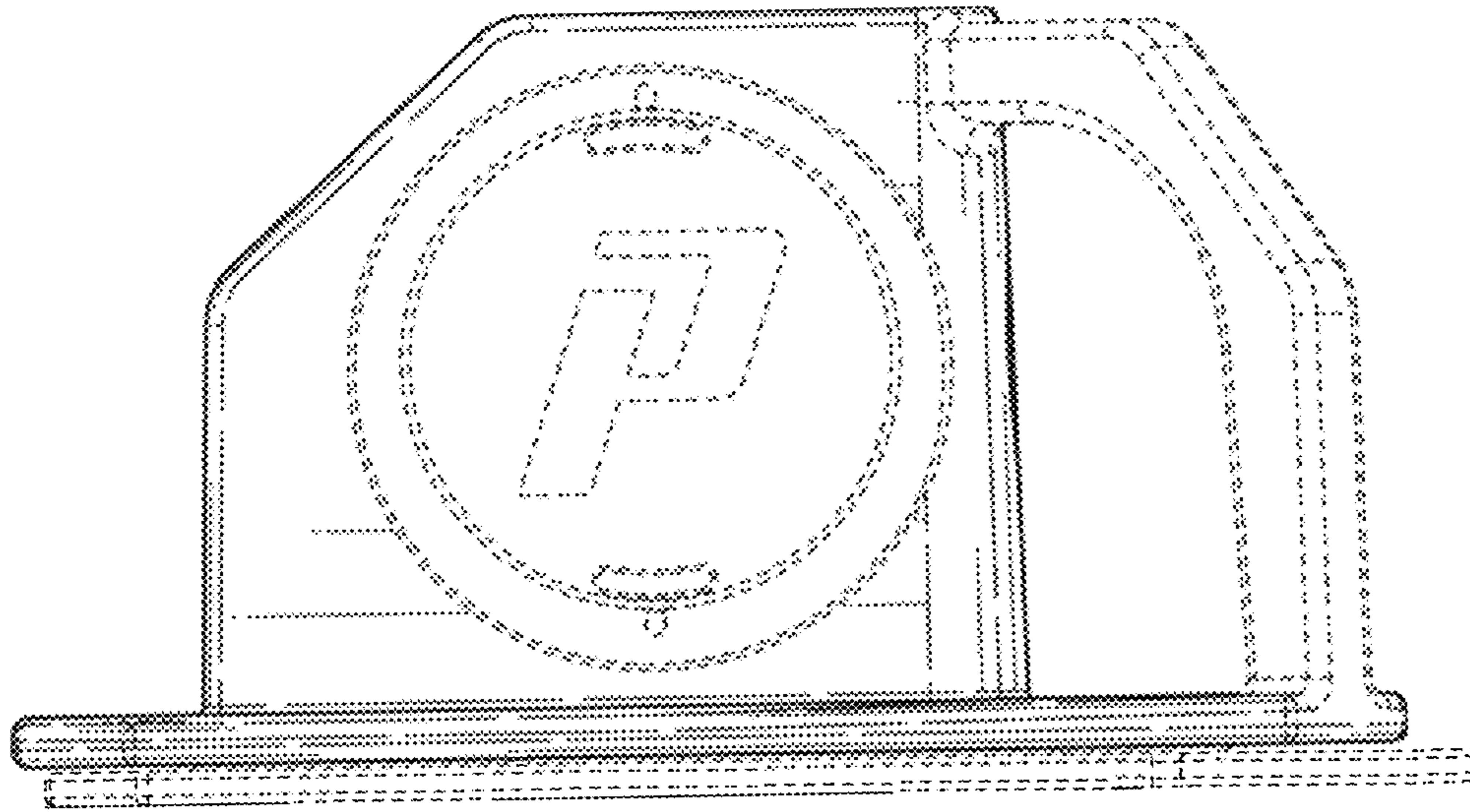


FIG. 4

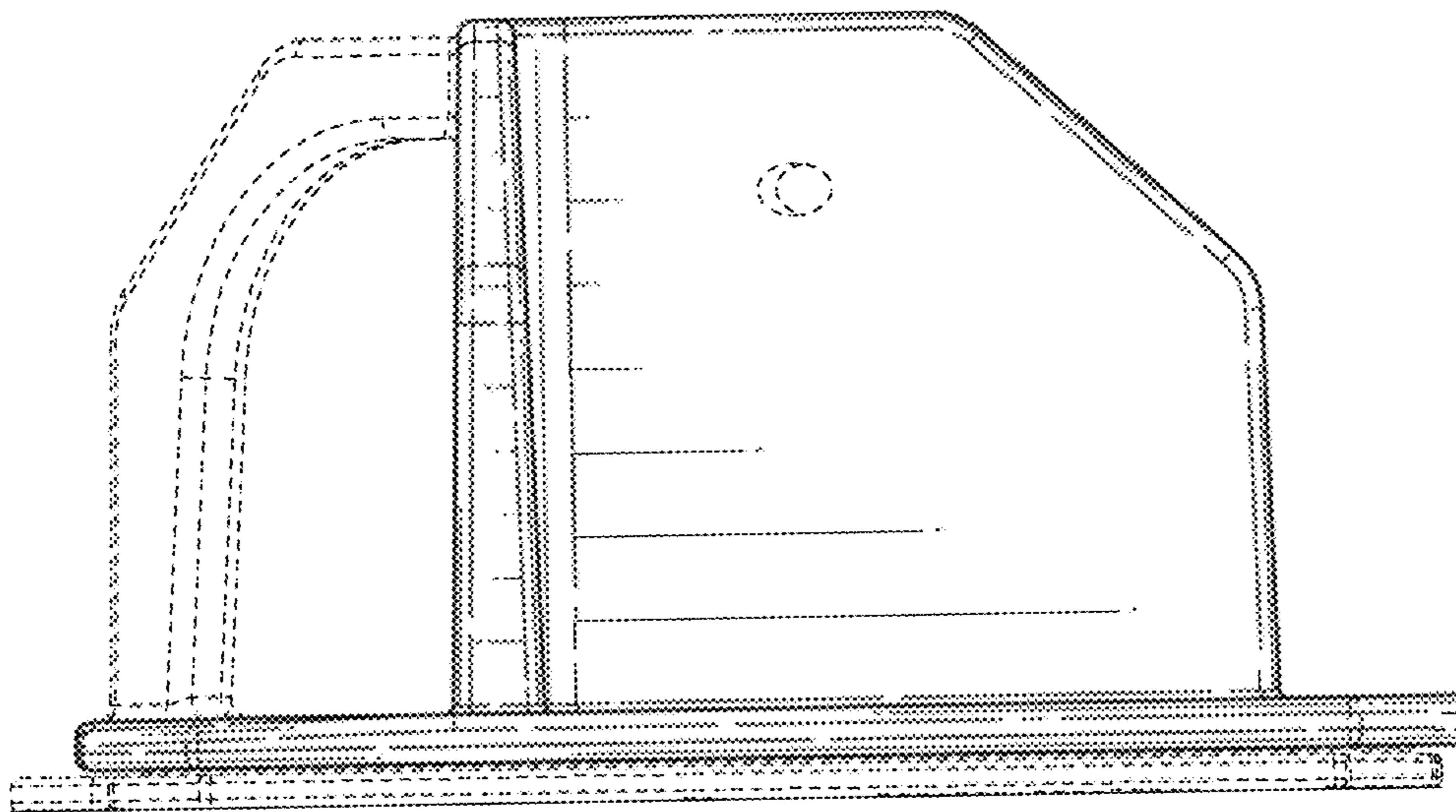


FIG. 5

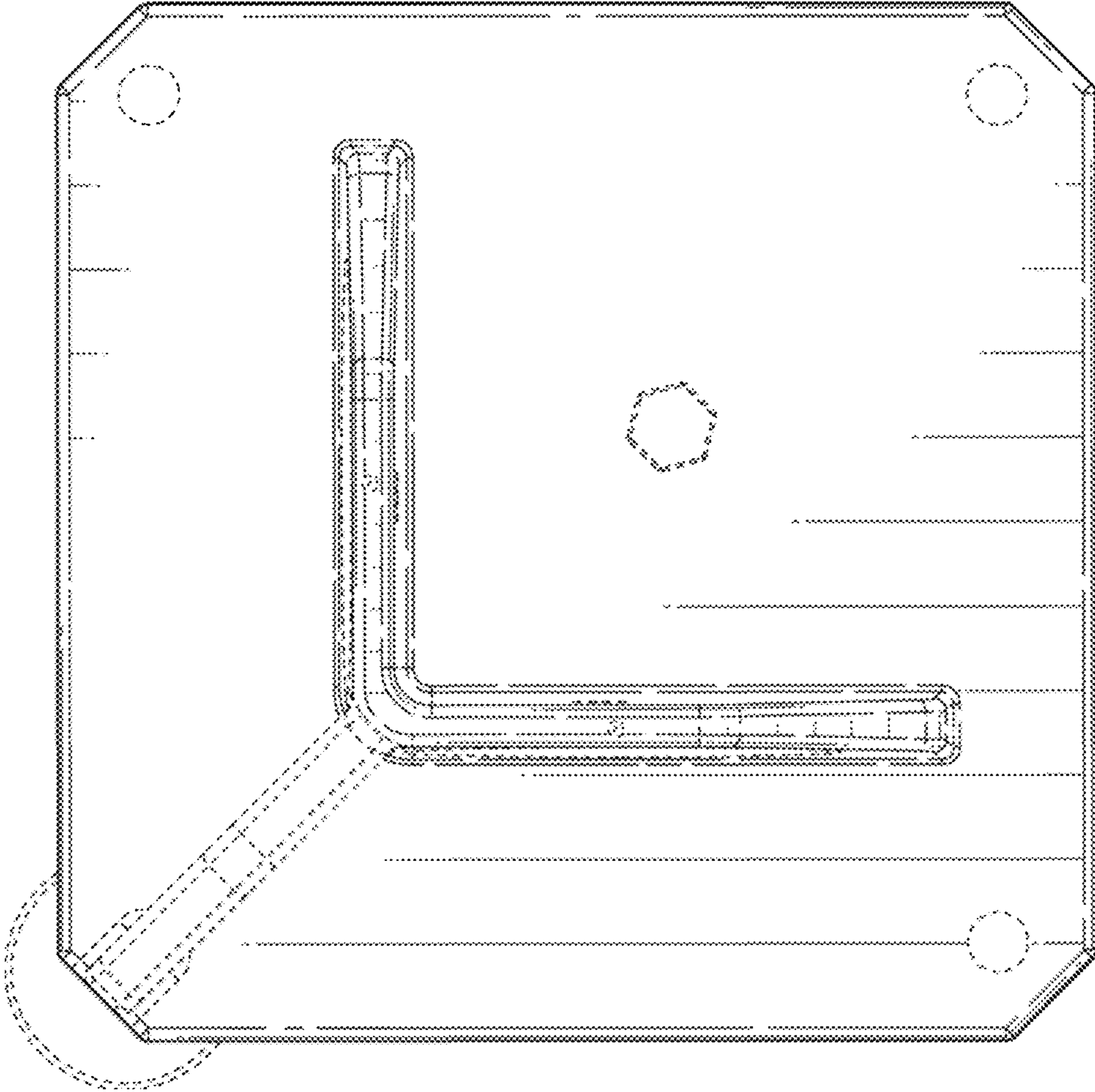


FIG. 6

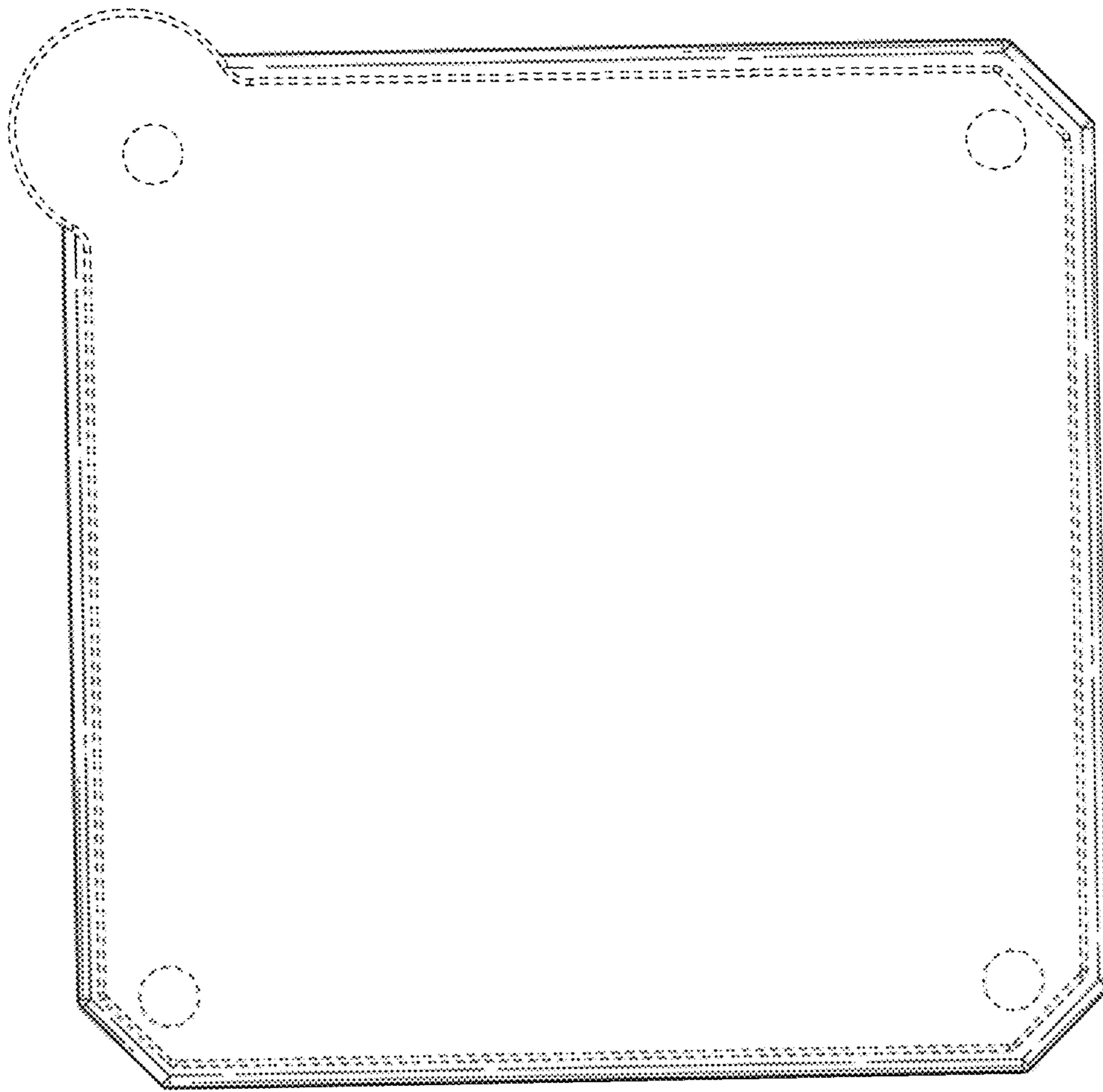


FIG. 7