



US00D983883S

(12) **United States Design Patent**
Conrad

(10) **Patent No.:** **US D983,883 S**

(45) **Date of Patent:** **** Apr. 18, 2023**

(54) **STEERING WHEEL FOR GAME SYSTEMS**

(71) Applicant: **Endor AG**, Landshut (DE)

(72) Inventor: **Bernhard Conrad**, Buch am Erlbach (DE)

(**) Term: **15 Years**

(21) Appl. No.: **35/513,762**

(22) Filed: **Jan. 5, 2022**

(80) **Hague Agreement Data**

Int. Filing Date: **Jan. 5, 2022**

Int. Reg. No.: **DM/219110**

Int. Reg. Date: **Jan. 5, 2022**

Int. Reg. Pub. Date: **Mar. 4, 2022**

(30) **Foreign Application Priority Data**

Jul. 9, 2021 (EM) 008609002-0001

(51) **LOC (14) Cl.** **21-01**

(52) **U.S. Cl.**
USPC **D21/333**

(58) **Field of Classification Search**

USPC D12/174, 175, 176, 177, 192; D14/401,
D14/414; D21/328, 333, 385, 566
CPC B60R 21/05; B60R 21/203; B60R 21/215;
B60R 21/2155; B60R 2021/21543; B62D
1/00; B62D 1/02; B62D 1/04; B62D
1/043; B62D 1/046; B62D 1/06; B62D
1/065; B60Q 1/0082

See application file for complete search history.

(56) **References Cited**

U.S. PATENT DOCUMENTS

4,161,892 A * 7/1979 Conterno B62D 1/04
74/552
D298,526 S * 11/1988 Green D12/175
D392,607 S * 3/1998 Cattaneo D12/176

D409,538 S * 5/1999 Isetani D12/176
D463,336 S * 9/2002 Prather D12/176
D463,764 S * 10/2002 Swan D12/176
D476,607 S * 7/2003 Stern D12/176
D480,668 S * 10/2003 Ohm D12/176
D522,516 S * 6/2006 Hussaini D14/416
D558,651 S * 1/2008 Ikeda D14/401
D644,580 S * 9/2011 Markowitz D12/176
D936,539 S * 11/2021 Papis D12/177
D954,841 S * 6/2022 Conrad D21/333

OTHER PUBLICATIONS

Fanatec CSL Steering Wheel BMW, Published date unavailable [online]. [retrieved on Dec. 8, 2022]. Retrieved from the Internet: [https://fanatec.com/us-en/steering-wheels/csl-steering-wheel-bmw? \(Year: 2022\).*](https://fanatec.com/us-en/steering-wheels/csl-steering-wheel-bmw? (Year: 2022).*)

* cited by examiner

Primary Examiner — Cary M Robinson

Assistant Examiner — Adam C Mager

(57) **CLAIM**

The ornamental design for a steering wheel for game systems, as shown and described.

DESCRIPTION

The patent or application file contains at least one drawing executed in color. Copies of this patent or patent application publication with color drawing(s) will be provided by the Office upon request and payment of the necessary fee.

1. Steering wheel for game systems

- 1.1 : Front
- 1.2 : Back
- 1.3 : Top
- 1.4 : Bottom
- 1.5 : Right
- 1.6 : Left
- 1.7 : Perspective

1 Claim, 7 Drawing Sheets
(7 of 7 Drawing Sheet(s) Filed in Color)



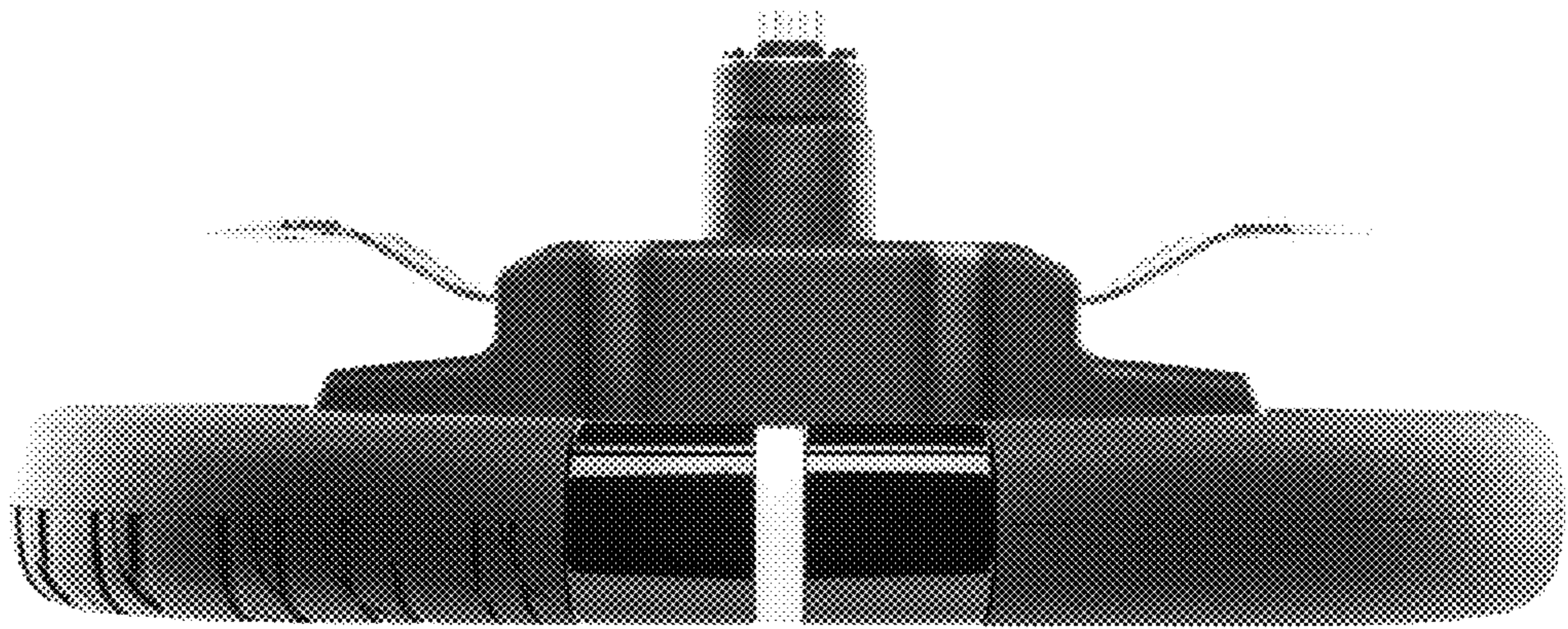
1.1



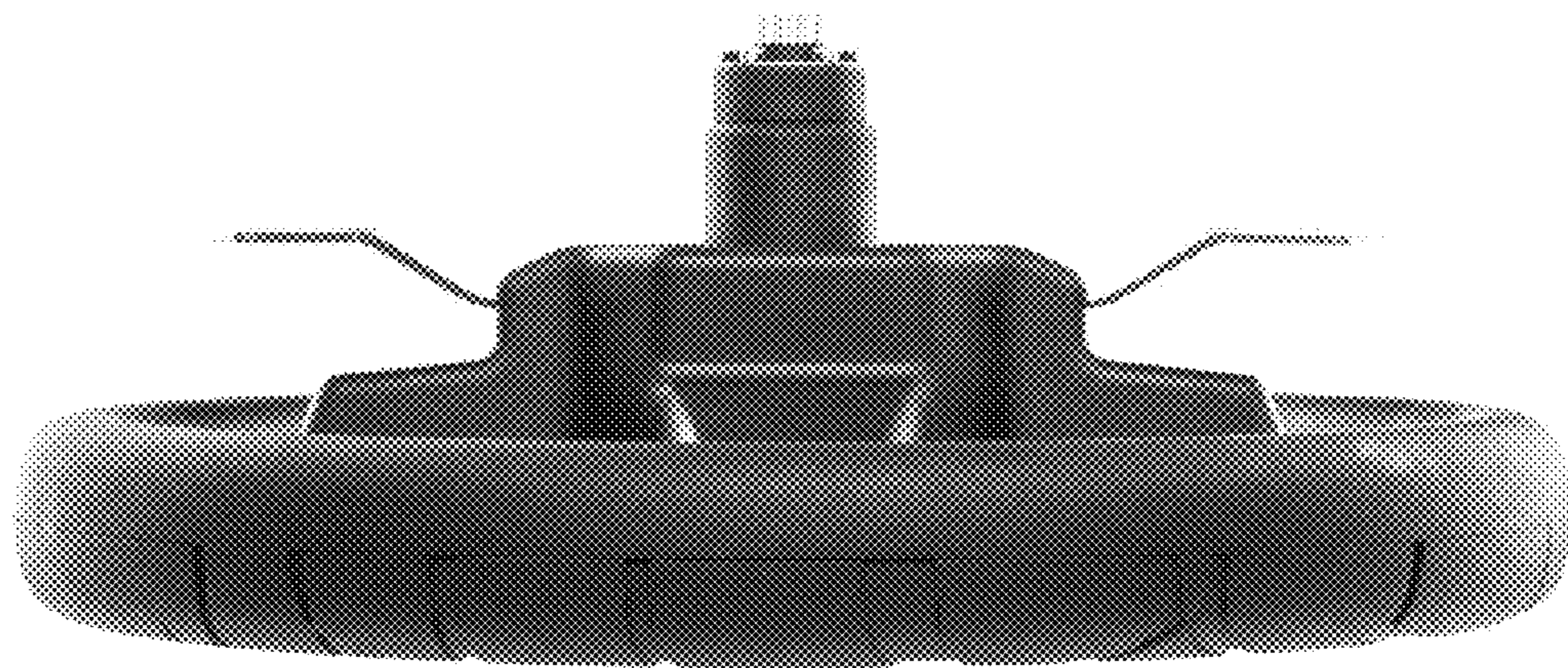
1.2



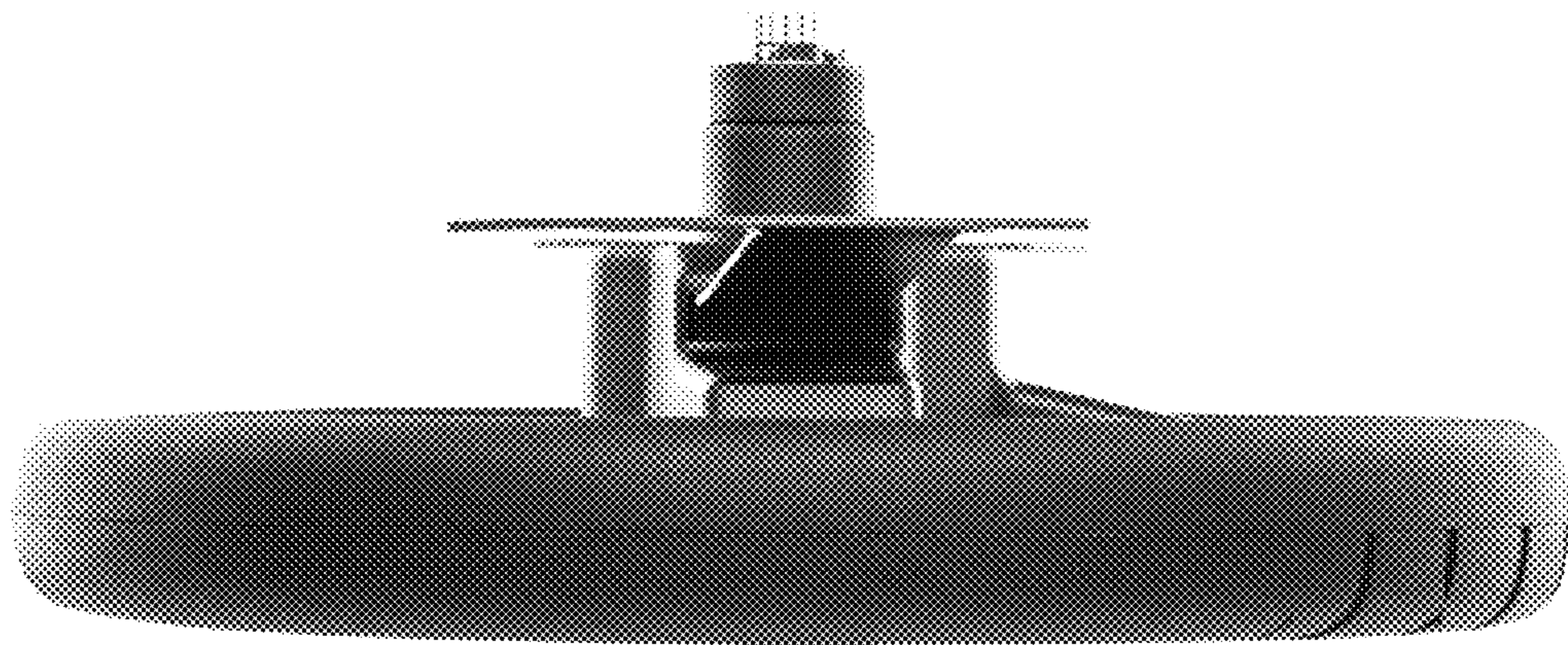
1.3



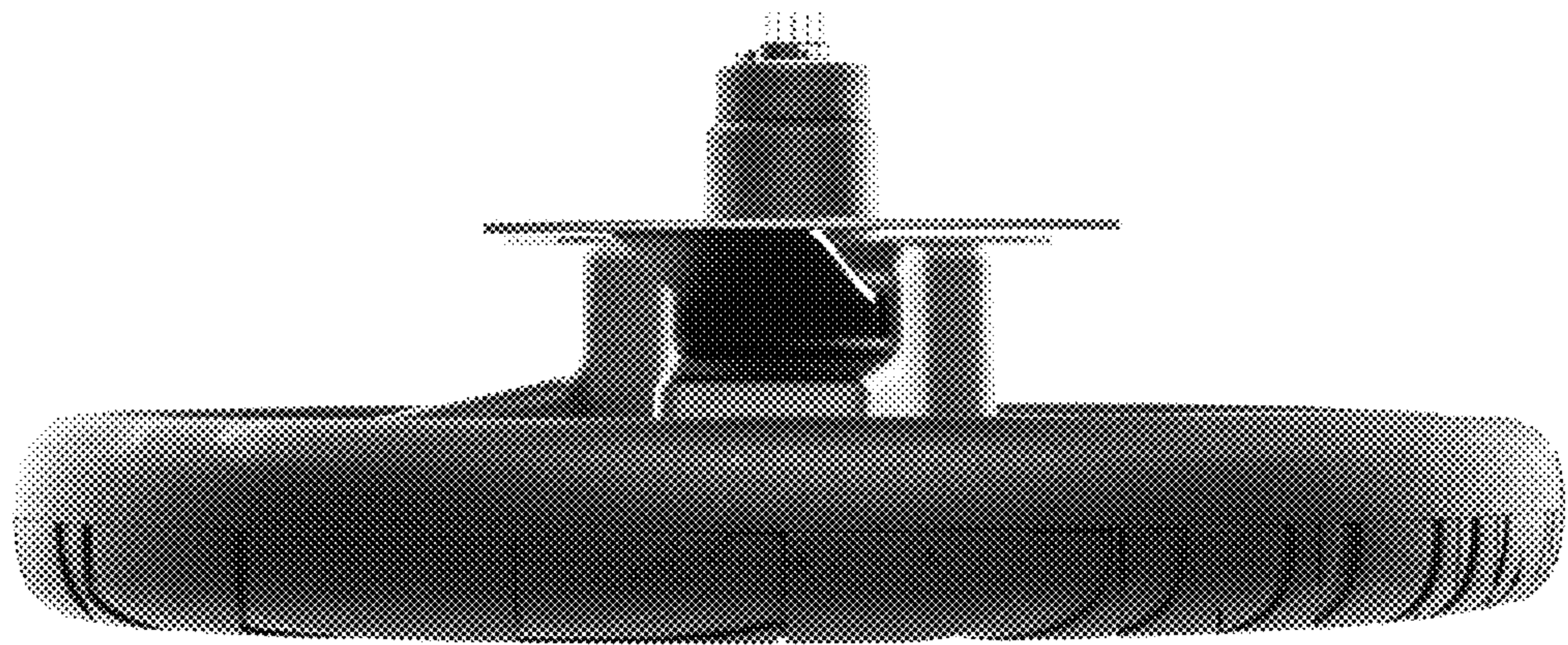
1.4



1.5



1.6



1.7

