



US00D983881S

(12) **United States Design Patent**
Pan

(10) **Patent No.:** **US D983,881 S**
(45) **Date of Patent:** **** Apr. 18, 2023**

(54) **VENDING MACHINE**
(71) Applicant: **Dongguan Dongwei Electrical and Mechanical Technology Co., Ltd.,**
Dongguan (CN)
(72) Inventor: **Yucheng Pan,** Guangdong (CN)
(**) Term: **15 Years**

5,335,818 A * 8/1994 Maldanis G07F 11/24
49/94
D364,646 S * 11/1995 Maldanis D20/4
6,378,324 B1 * 4/2002 Percy G07F 17/0071
62/448
8,061,555 B2 * 11/2011 Guglielmi G07F 11/42
221/121
D692,951 S * 11/2013 Saario D20/4
D724,811 S * 3/2015 Reitinger D99/28
(Continued)

(21) Appl. No.: **29/740,399**

OTHER PUBLICATIONS

(22) Filed: **Jul. 2, 2020**

H51875, posted at Alibaba.com, posted on Aug. 3, 2021, site visited Jul. 11, 2022. online, available from internet: https://tinEye.com/search/ec01baaab06d602539af8f31b129522cf3afd1c5?sort=crawl_date&order=asc&page=1 (Year: 2021).*

(51) **LOC (14) Cl.** **20-01**

(52) **U.S. Cl.**
USPC **D20/1; D20/4**

(58) **Field of Classification Search**
USPC D20/1, 2, 3, 4, 5, 6, 8, 9
CPC G07F 9/001; G07F 9/009; G07F 9/006;
G07F 5/22; G07F 11/005; G07F 11/007;
G07F 11/62; G07F 11/42
See application file for complete search history.

(Continued)

Primary Examiner — Catherine Ho
(74) *Attorney, Agent, or Firm* — Prakash Nama; Global IP Services, PLLC

(56) **References Cited**

(57) **CLAIM**

The ornamental design for a vending machine, as shown and described.

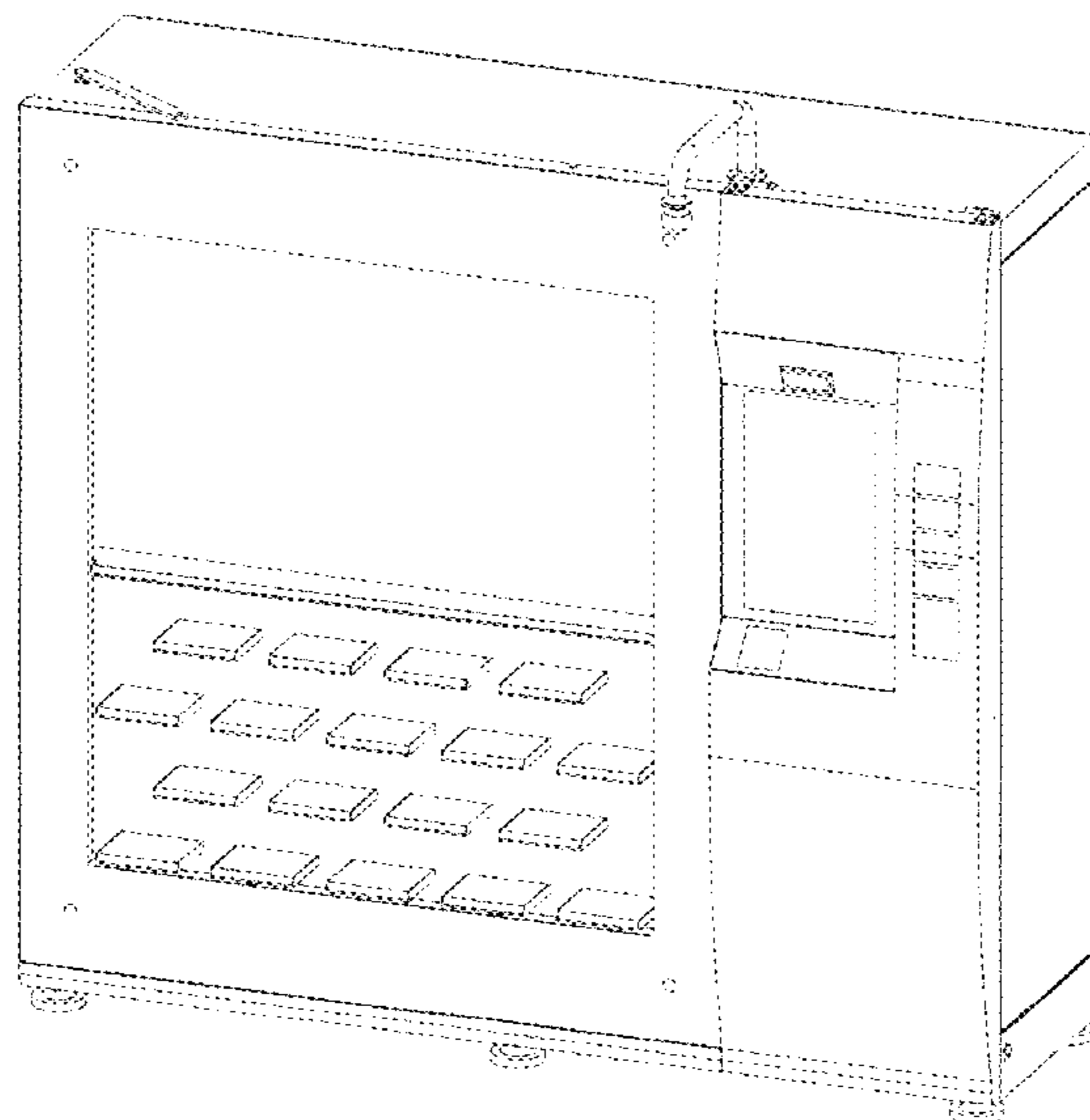
U.S. PATENT DOCUMENTS

DESCRIPTION

- 1,019,574 A * 3/1912 Wiechers G07F 5/22
194/221
- 2,808,918 A * 10/1957 Shepard, Jr. G07F 11/62
292/201
- 3,125,244 A * 3/1964 Holstein G07F 11/10
221/133
- 3,128,013 A * 4/1964 Holstein G07F 11/10
221/133
- 3,158,246 A * 11/1964 Murphy G07F 11/04
194/215
- 3,167,215 A * 1/1965 Holstein G07F 5/18
221/6
- 3,173,530 A * 3/1965 Lord G07F 9/002
221/6
- 4,789,054 A * 12/1988 Shore G07F 7/069
194/906
- D316,707 S * 5/1991 Allgeier D14/420

FIG. 1 is a front elevational view of a vending machine showing my new design;
FIG. 2 is a rear elevational view thereof;
FIG. 3 is a left side view thereof;
FIG. 4 is a right side view thereof;
FIG. 5 is a top plan view thereof;
FIG. 6 is a bottom plan view thereof;
FIG. 7 is a left perspective view thereof; and,
FIG. 8 is a right perspective view thereof.
The broken line portion of the figure drawings is included to show portions of the article that form no part of the claimed design.

1 Claim, 8 Drawing Sheets



(56)

References Cited

U.S. PATENT DOCUMENTS

10,319,173 B2 * 6/2019 Adelberg G07F 11/62
 D862,594 S * 10/2019 Broen D20/8
 10,490,014 B2 * 11/2019 Jafa G07F 11/165
 2003/0006241 A1 * 1/2003 Johnson G07F 11/42
 2003/0062388 A1 * 4/2003 Yuyama G07F 11/62
 2005/0278065 A1 * 12/2005 Garza G07F 17/16
 2009/0076650 A1 * 3/2009 Faes G07F 11/42
 2009/0094127 A1 * 4/2009 Enqvist G07F 9/002
 2009/0277604 A1 * 11/2009 Kang G07F 9/002
 2014/0368156 A1 * 12/2014 Aloe H02J 7/0045

2016/0292953 A1 * 10/2016 Brown G07F 11/10
 2018/0108203 A1 * 4/2018 Li G07F 11/24
 2019/0026242 A1 * 1/2019 Osborne G06F 13/4004
 2019/0197817 A1 * 6/2019 Fujii B65B 59/04
 2019/0251562 A1 * 8/2019 Dabiri G06Q 20/40
 2020/0043272 A1 * 2/2020 Vazquez G07F 11/1653
 2020/0043273 A1 * 2/2020 Vazquez G07F 11/165
 2020/0082369 A1 * 3/2020 Smith G06Q 20/203
 2021/0279995 A1 * 9/2021 Muca G07F 11/02
 2022/0071299 A1 * 3/2022 Patel G05B 19/042

OTHER PUBLICATIONS

Beer vending machine, posted at vendweb.com, posted on Oct. 17, 2019, site visited Jul. 11, 2022. online, available from internet: https://tineye.com/search/cb85cfc09d49f953c4fe7ea6d6f14a736591243e?sort=crawl_date&order=asc&page=1 (Year: 2019).*

* cited by examiner

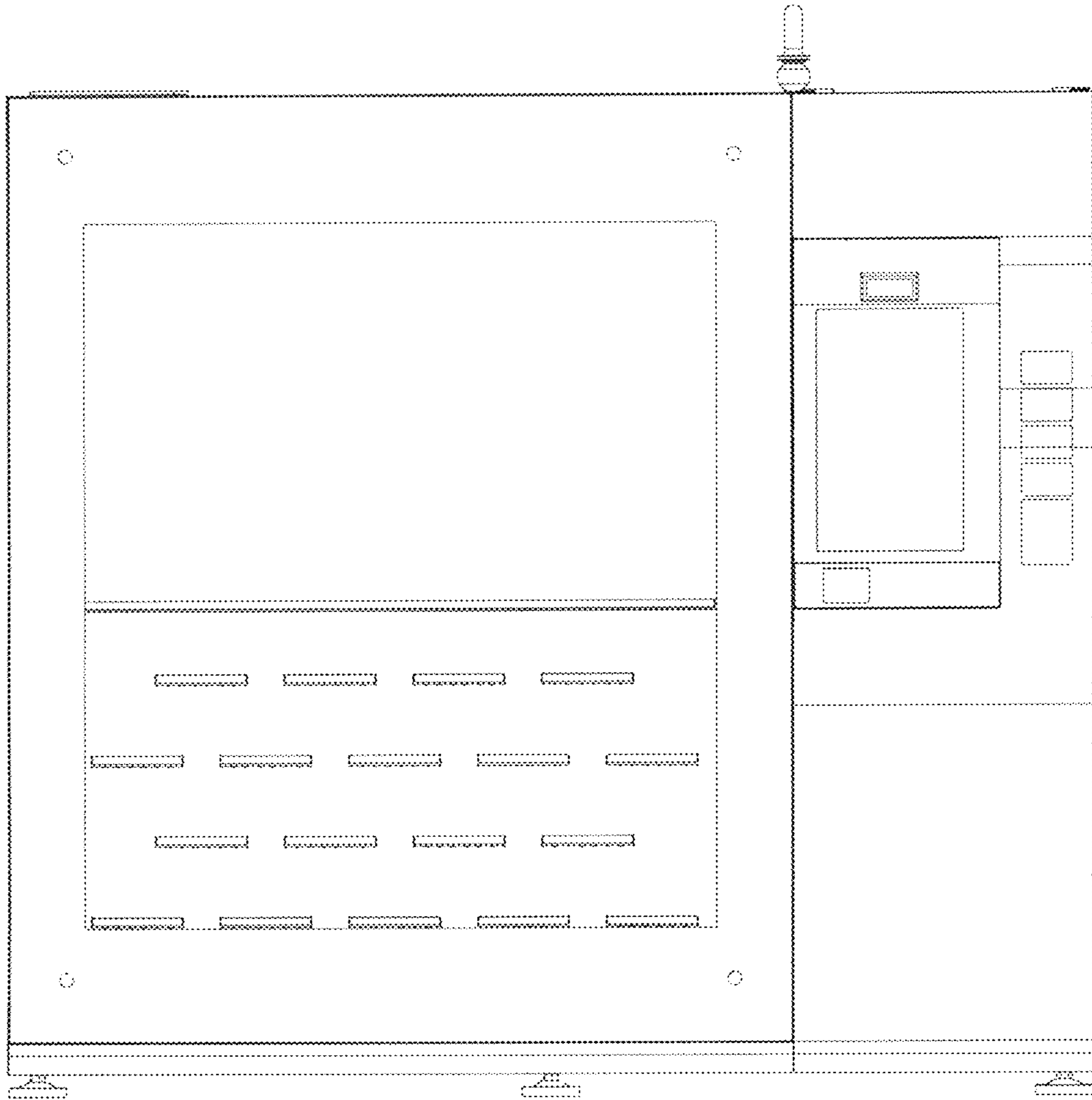


FIG. 1

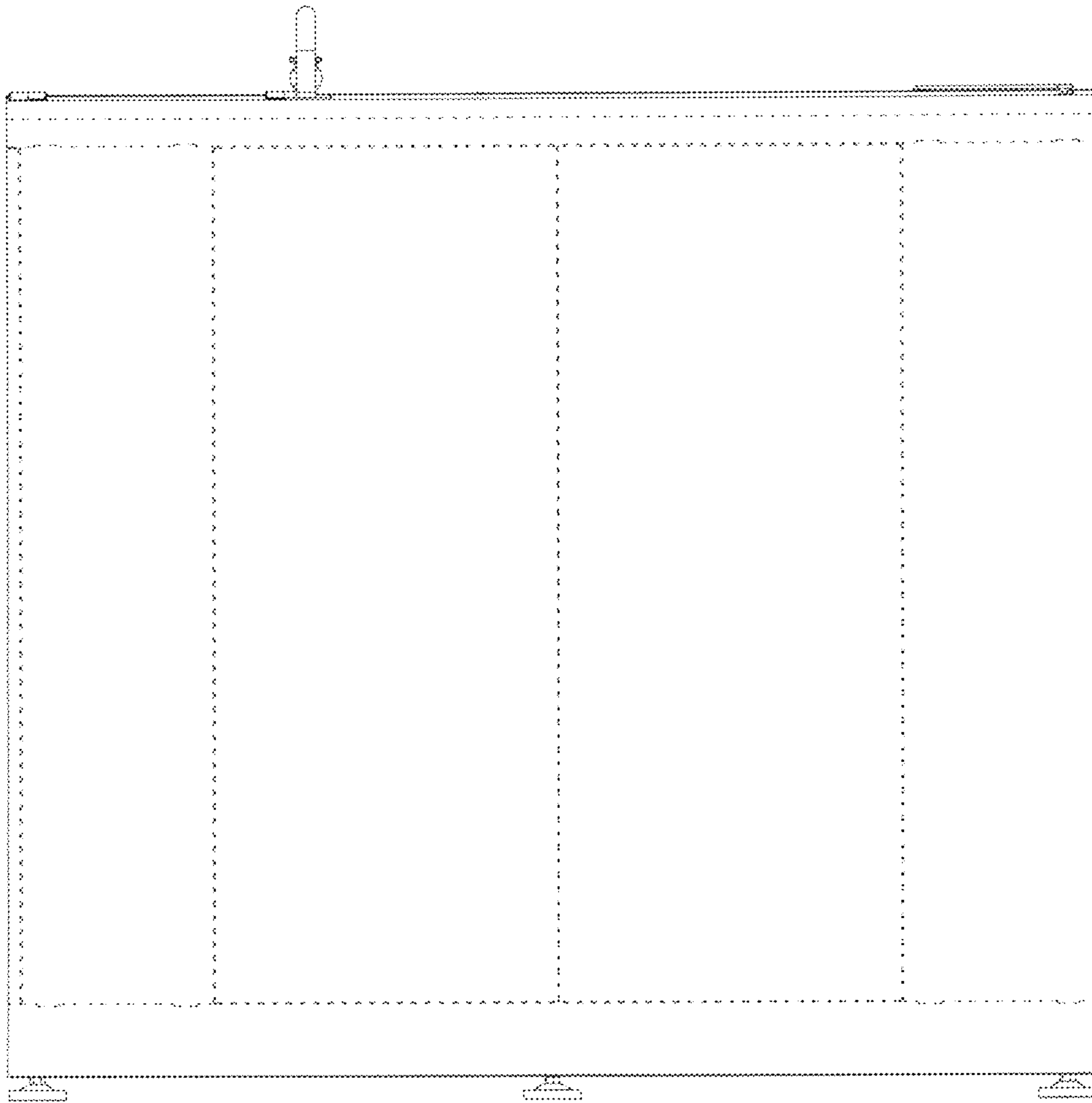


FIG. 2

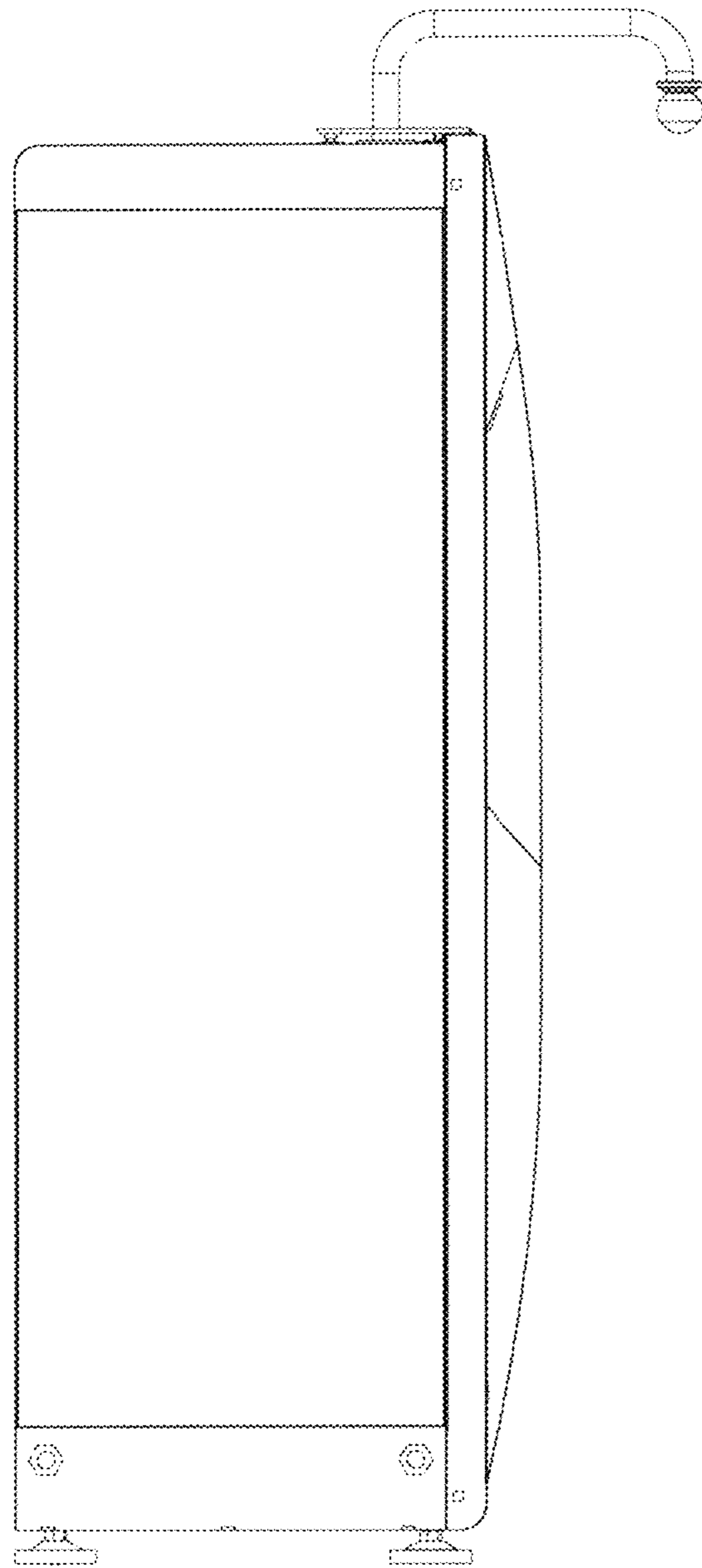


FIG. 3

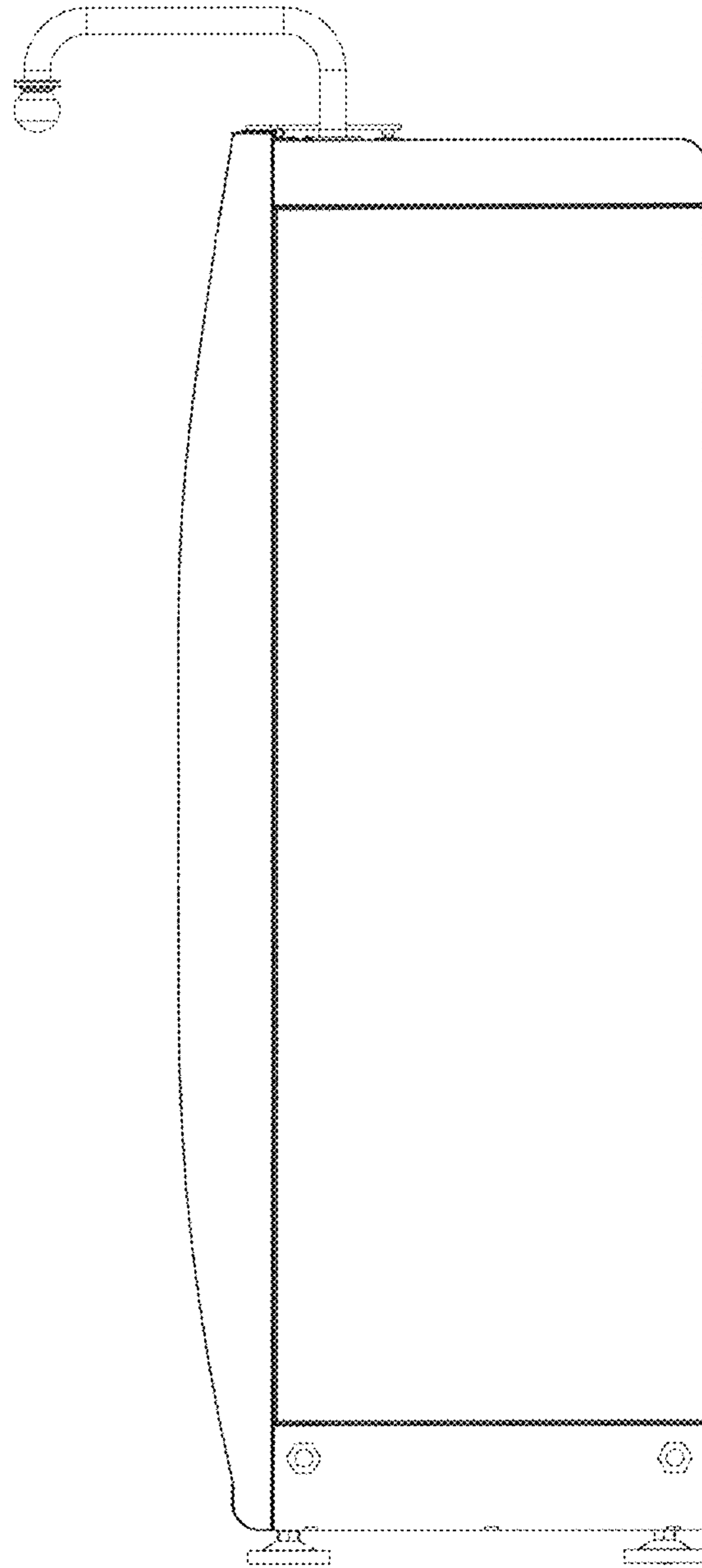


FIG. 4

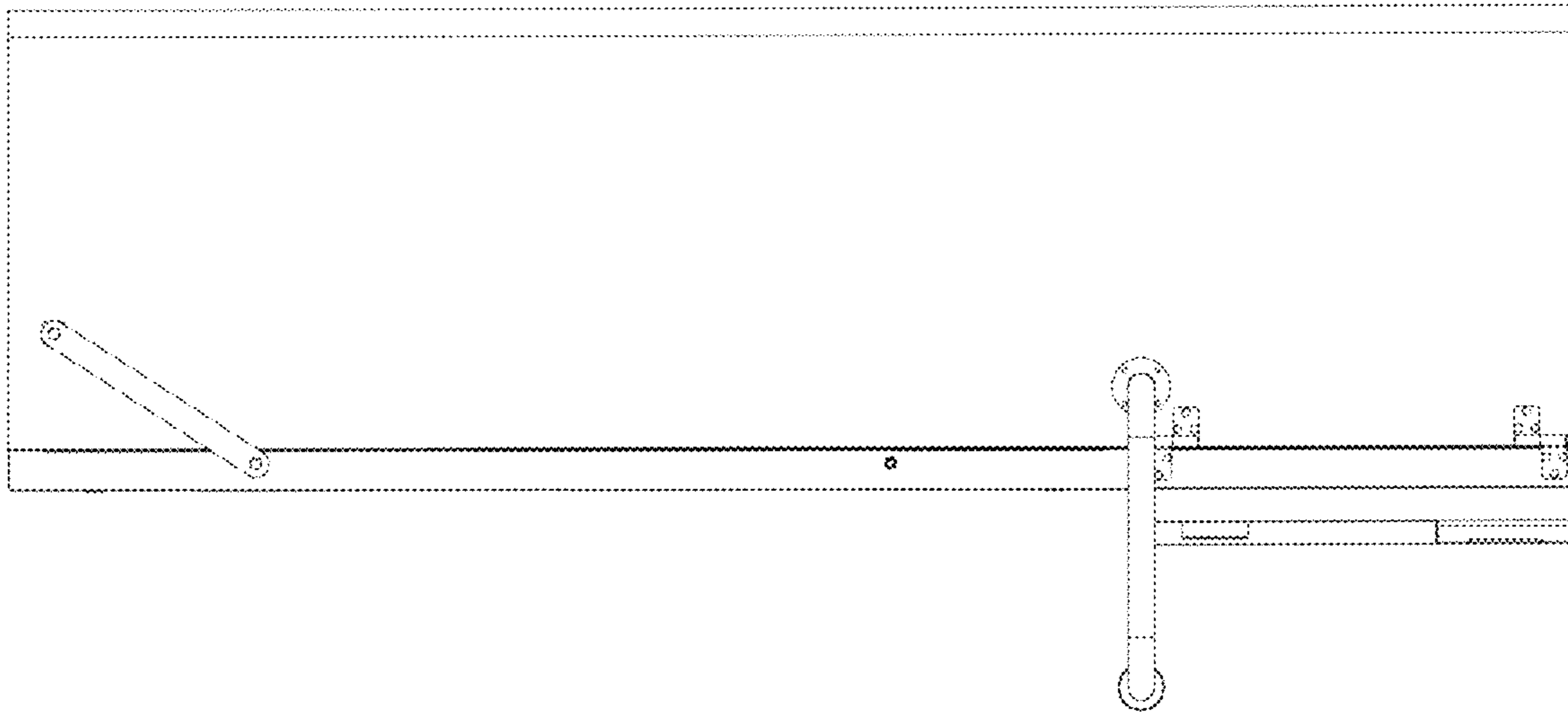


FIG. 5

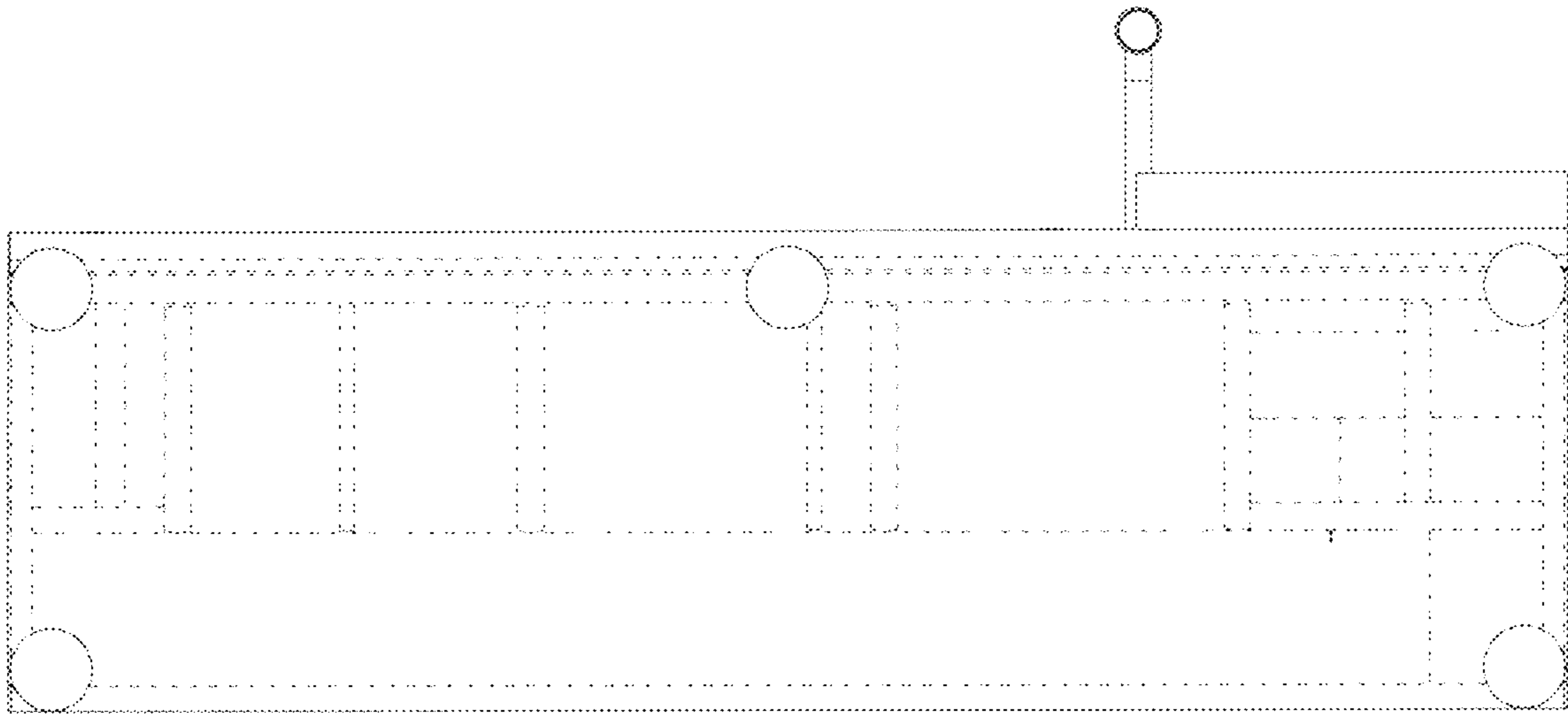


FIG. 6

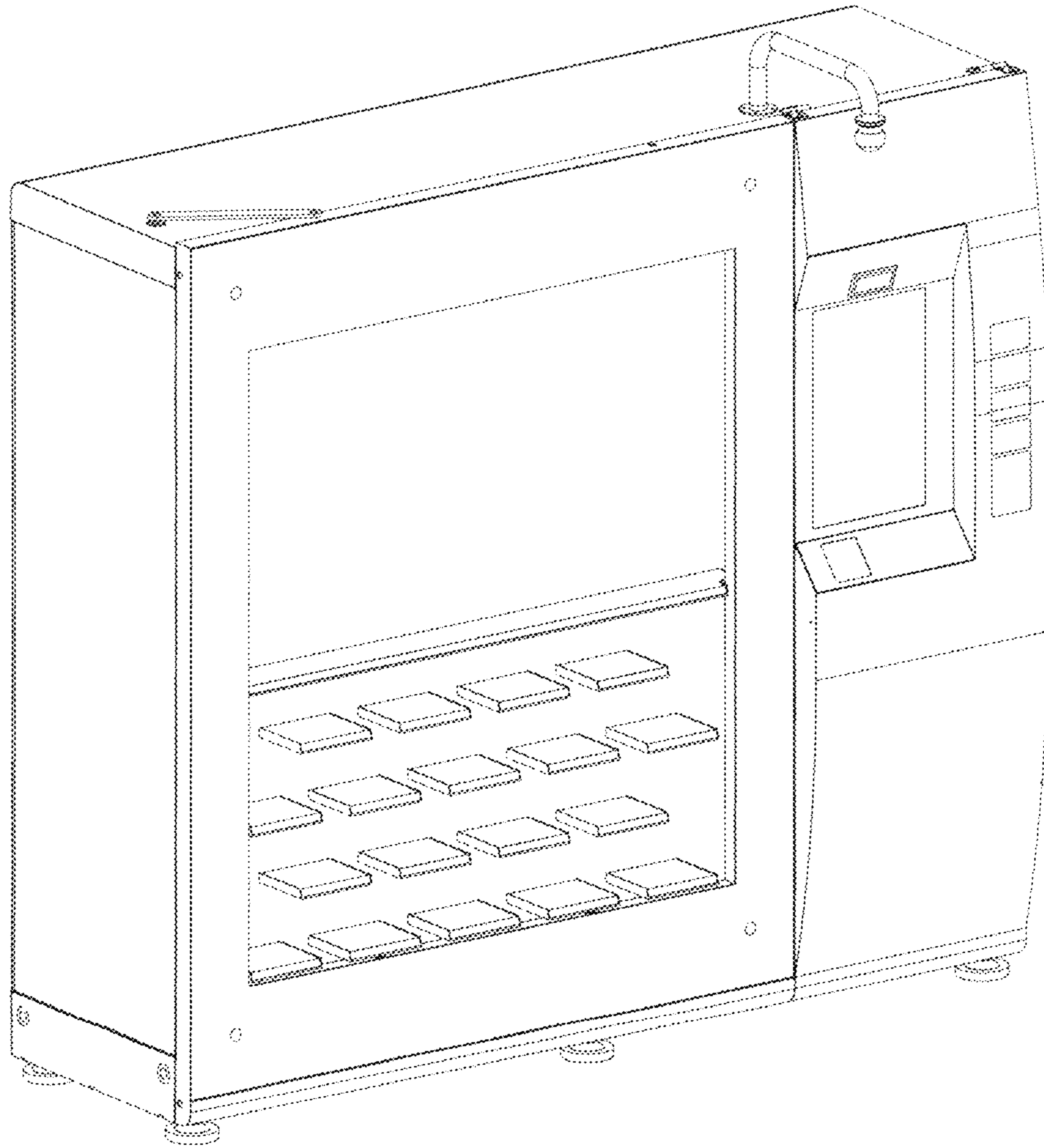


FIG. 7

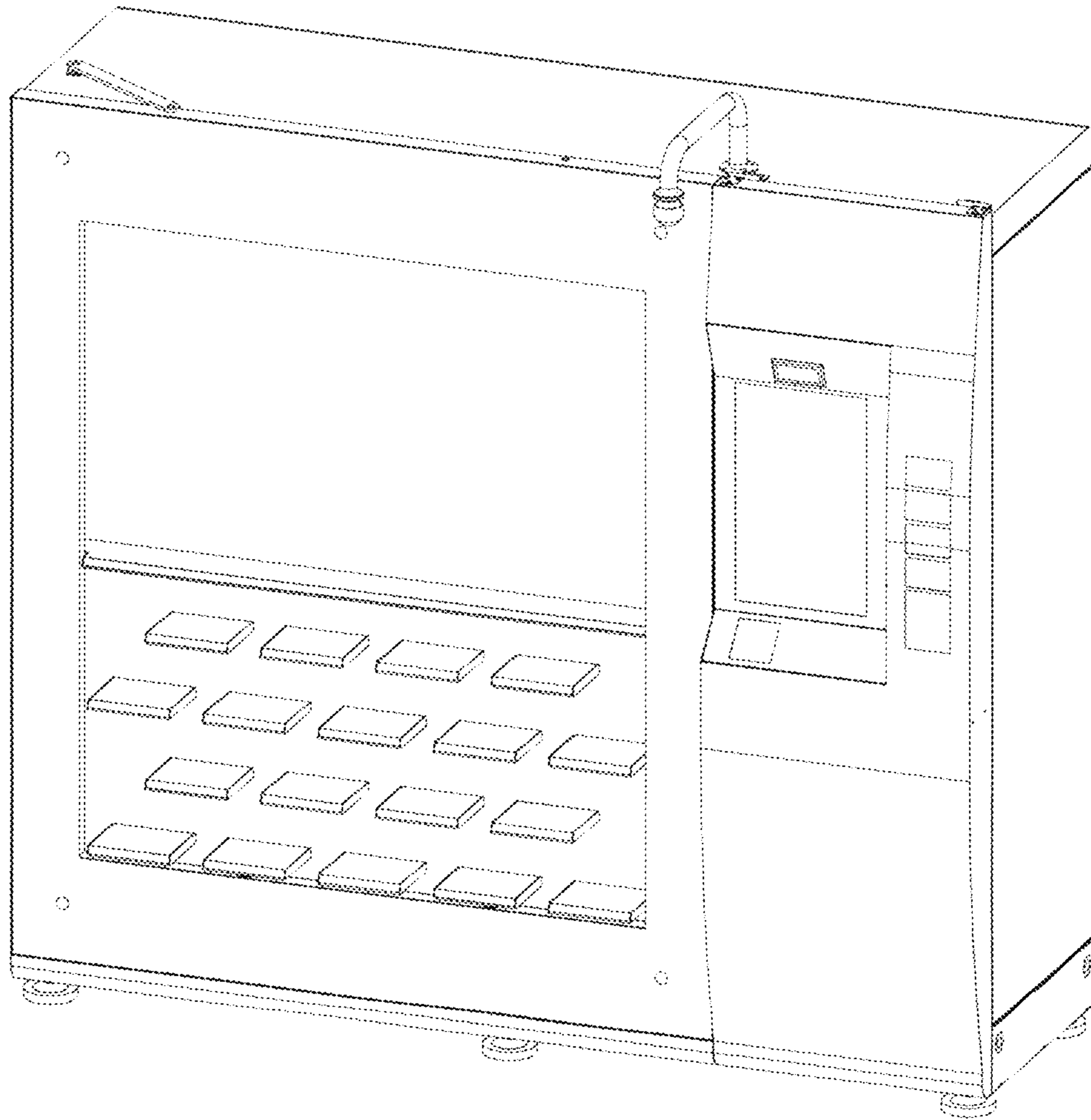


FIG. 8