



US00D983879S

(12) **United States Design Patent**
Hyun et al.

(10) **Patent No.:** **US D983,879 S**
(45) **Date of Patent:** **** Apr. 18, 2023**

(54) **ELECTRONIC BLACKBOARD**

- (71) Applicant: **LG ELECTRONICS INC.**, Seoul (KR)
- (72) Inventors: **Joe Hyun**, Seoul (KR); **Seungdon Lee**, Seoul (KR); **Sangwon Yoon**, Seoul (KR)
- (73) Assignee: **LG ELECTRONICS INC.**, Seoul (KR)
- (**) Term: **15 Years**
- (21) Appl. No.: **35/513,048**
- (22) Filed: **May 28, 2021**
- (80) **Hague Agreement Data**
 Int. Filing Date: **May 28, 2021**
 Int. Reg. No.: **DM/214606**
 Int. Reg. Date: **May 28, 2021**
 Int. Reg. Pub. Date: **Dec. 3, 2021**

(30) **Foreign Application Priority Data**

May 21, 2021 (KR) 30-2021-0024229

(51) **LOC (14) Cl.** **19-06**

(52) **U.S. Cl.**
USPC **D19/114**

(58) **Field of Classification Search**
USPC D21/329, 330, 332, 350, 468, 469;
D14/305, 322, 334-347, 371, 403, 440;
D19/59, 60, 113; D6/368
CPC B43L 5/02; B43L 5/00; B43L 1/00; A47C
4/14
See application file for complete search history.

(56) **References Cited**

U.S. PATENT DOCUMENTS

- 794,653 A * 7/1905 Allen B43L 1/00
434/412
- 1,330,549 A * 2/1920 Raby B43L 5/02
269/254 R
- 1,614,763 A * 1/1927 Rastetter A47C 4/14
297/50

(Continued)

FOREIGN PATENT DOCUMENTS

- CN 303033478 * 12/2014
- CN 305023163 * 2/2019
- CN 305081673 * 3/2019

OTHER PUBLICATIONS

Digital Blackboard, zoro.com, Tineye, date published Feb. 4, 2017, date retrieved Oct. 18, 2022—U.S. Appl. No. 35/513,048—<https://tineye.com/search/276136a7a3eef17e3a6a102b00302f1854287e5b?sort=score&order=desc&page=1> (Year: 2017).*

Primary Examiner — Nicole C Shiflet
Assistant Examiner — Danielle Nichole Bowly
(74) *Attorney, Agent, or Firm* — Birch, Stewart, Kolasch & Birch, LLP

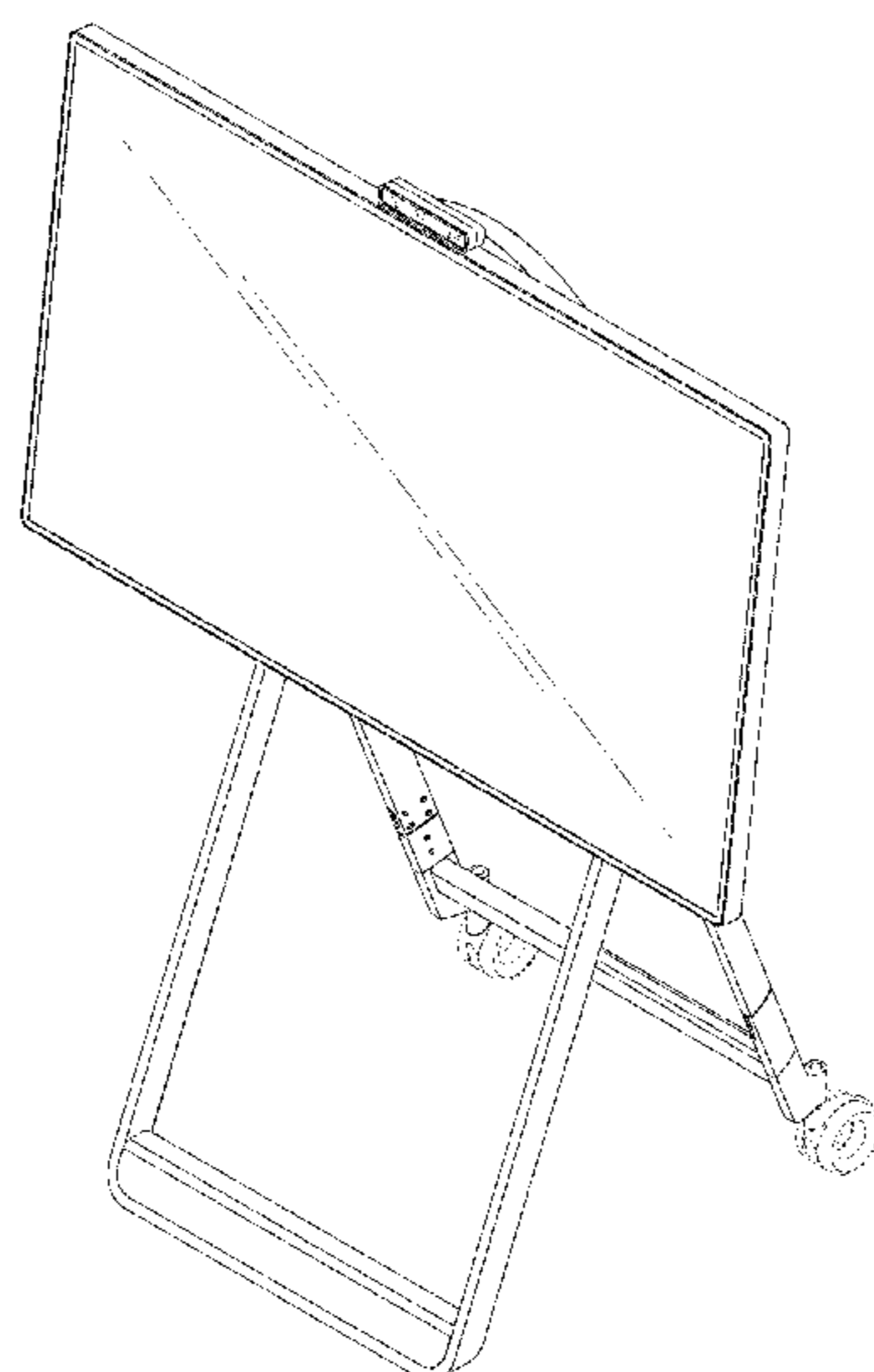
(57) **CLAIM**

The ornamental design for an electronic blackboard, as shown and described.

DESCRIPTION

1. Electronic blackboard
1.1 : Perspective
1.2 : Rear perspective view
1.3 : Front
1.4 : Back
1.5 : Left
1.6 : Right
1.7 : Top
1.8 : Bottom
1.9 : Alternate configuration
1.10 : Another alternate configuration
 The broken lines indicate portions of the electronic blackboard that form no part of the claimed design; reproductions **1.9** and **1.10** show the display part of the design in an alternate position.

1 Claim, 10 Drawing Sheets



(56)

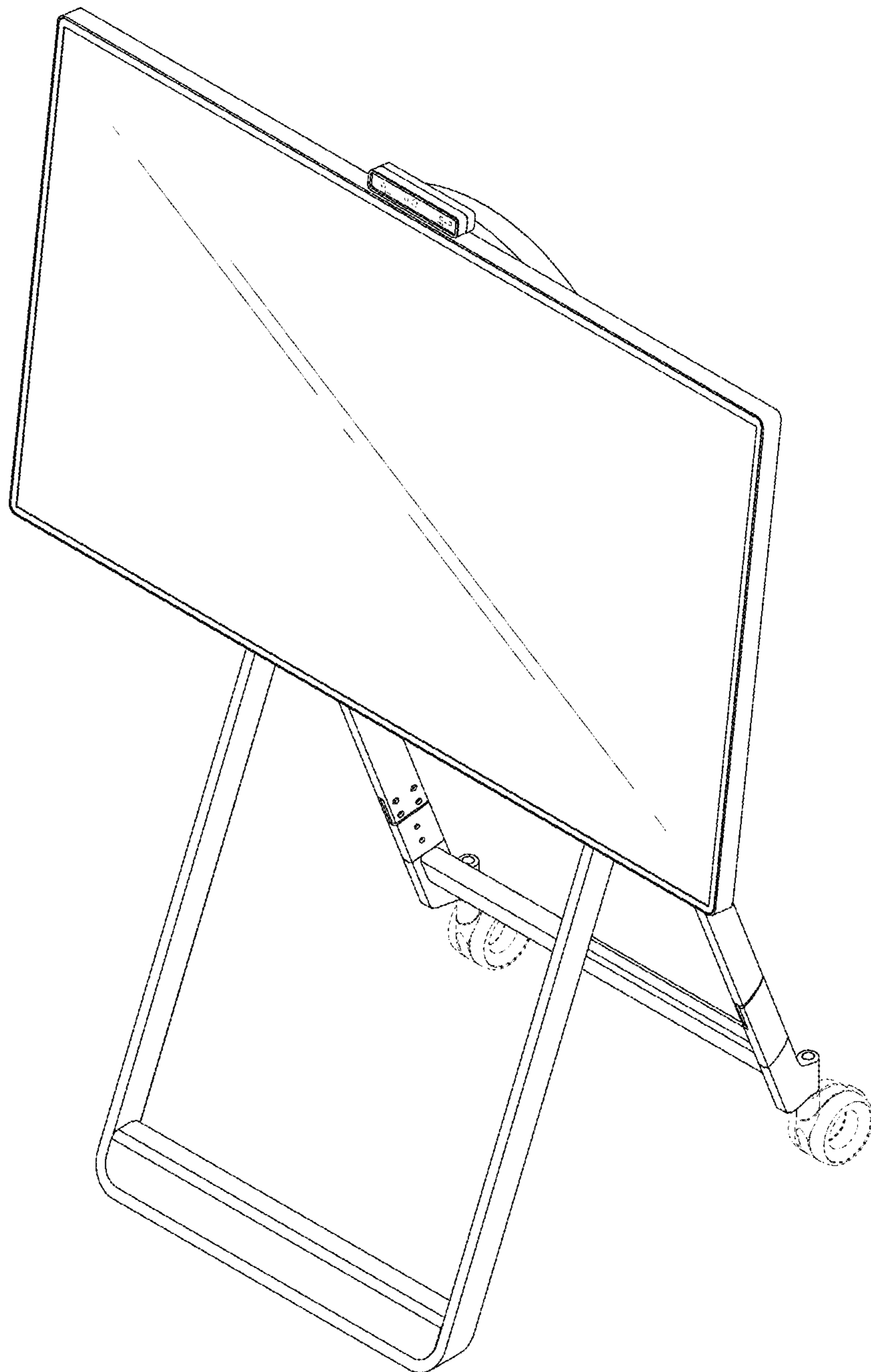
References Cited

U.S. PATENT DOCUMENTS

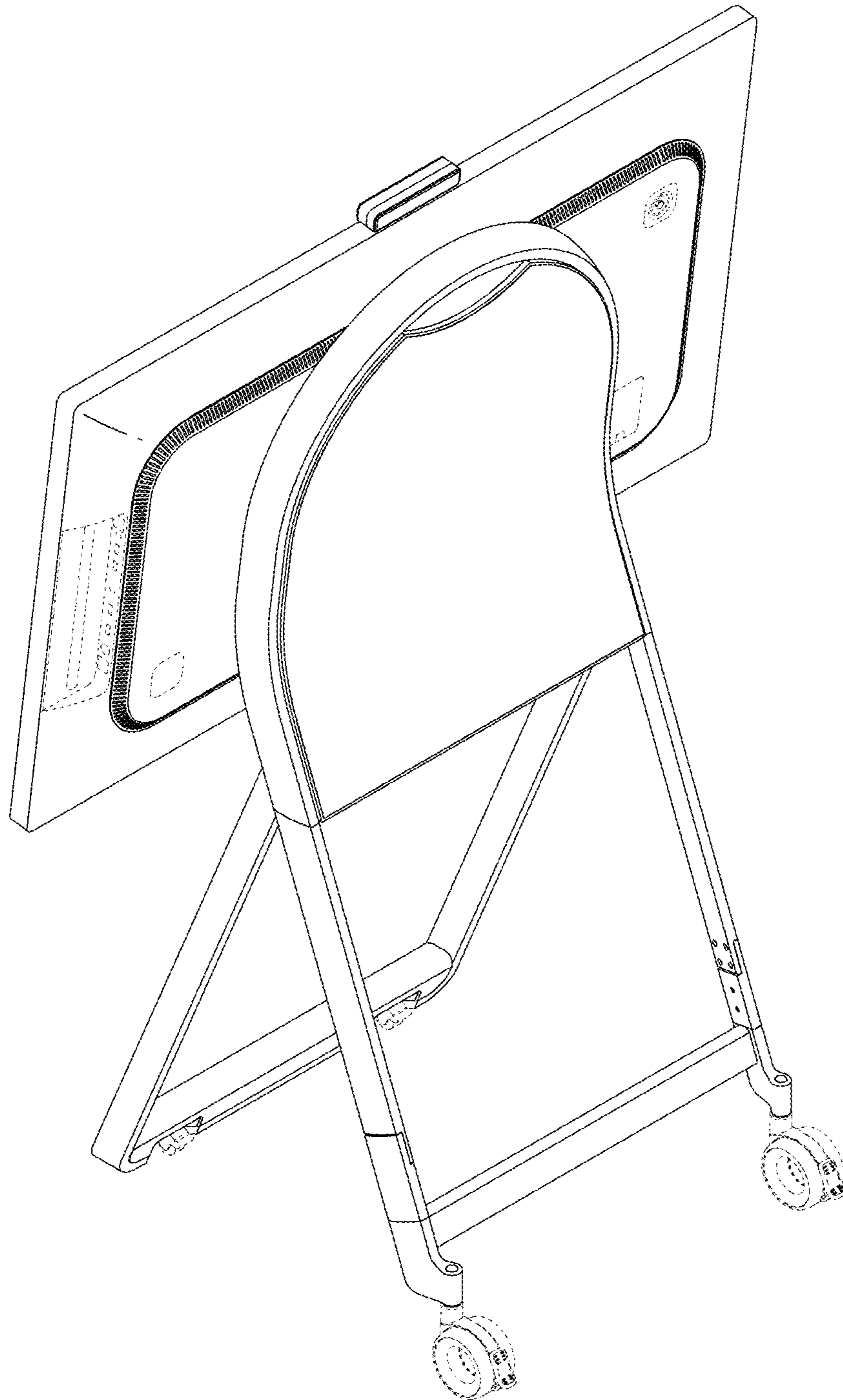
1,877,669	A *	9/1932	Kitze	A47B 83/008 434/408
5,181,129	A *	1/1993	Sato	H04N 1/1215 346/21
D339,379	S *	9/1993	Persing	D19/113
5,284,445	A *	2/1994	Dietterich	B43L 1/00 434/408
D401,279	S *	11/1998	Thorp	D19/114
D626,599	S *	11/2010	Ogawa	D19/113
D671,170	S *	11/2012	Udagawa	D19/114
D791,232	S *	7/2017	Terada	D19/114
D807,880	S *	1/2018	Varghese	D14/371
D894,277	S *	8/2020	Lee	D19/113
D909,368	S *	2/2021	Seo	D14/336
D926,878	S *	8/2021	Pereira	D19/113
D955,384	S *	6/2022	Lee	D14/371
2002/0009703	A1 *	1/2002	Owen	B43L 1/00 434/408
2008/0049265	A1 *	2/2008	Nishiie	H04N 1/00543 358/401

* cited by examiner

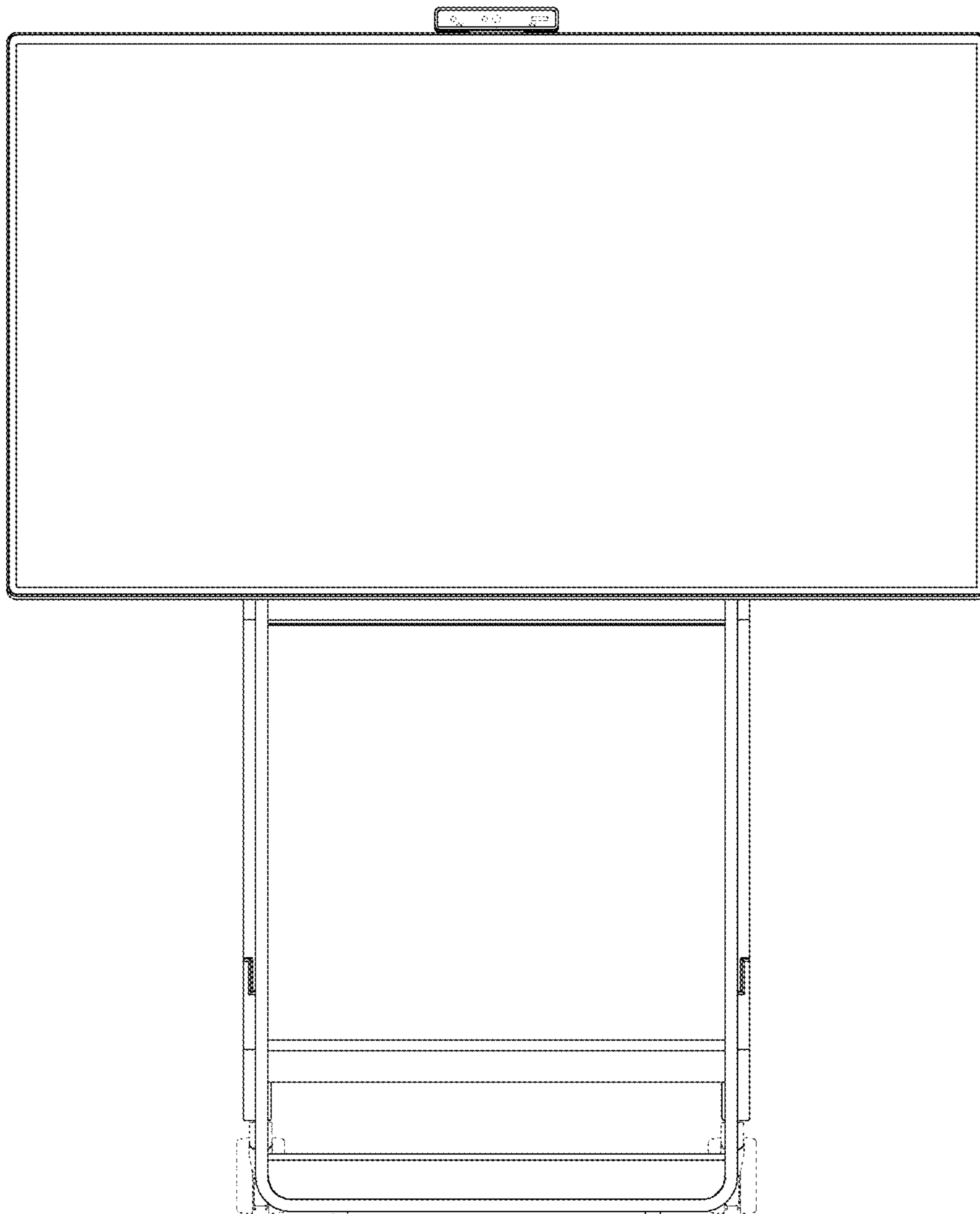
1.1



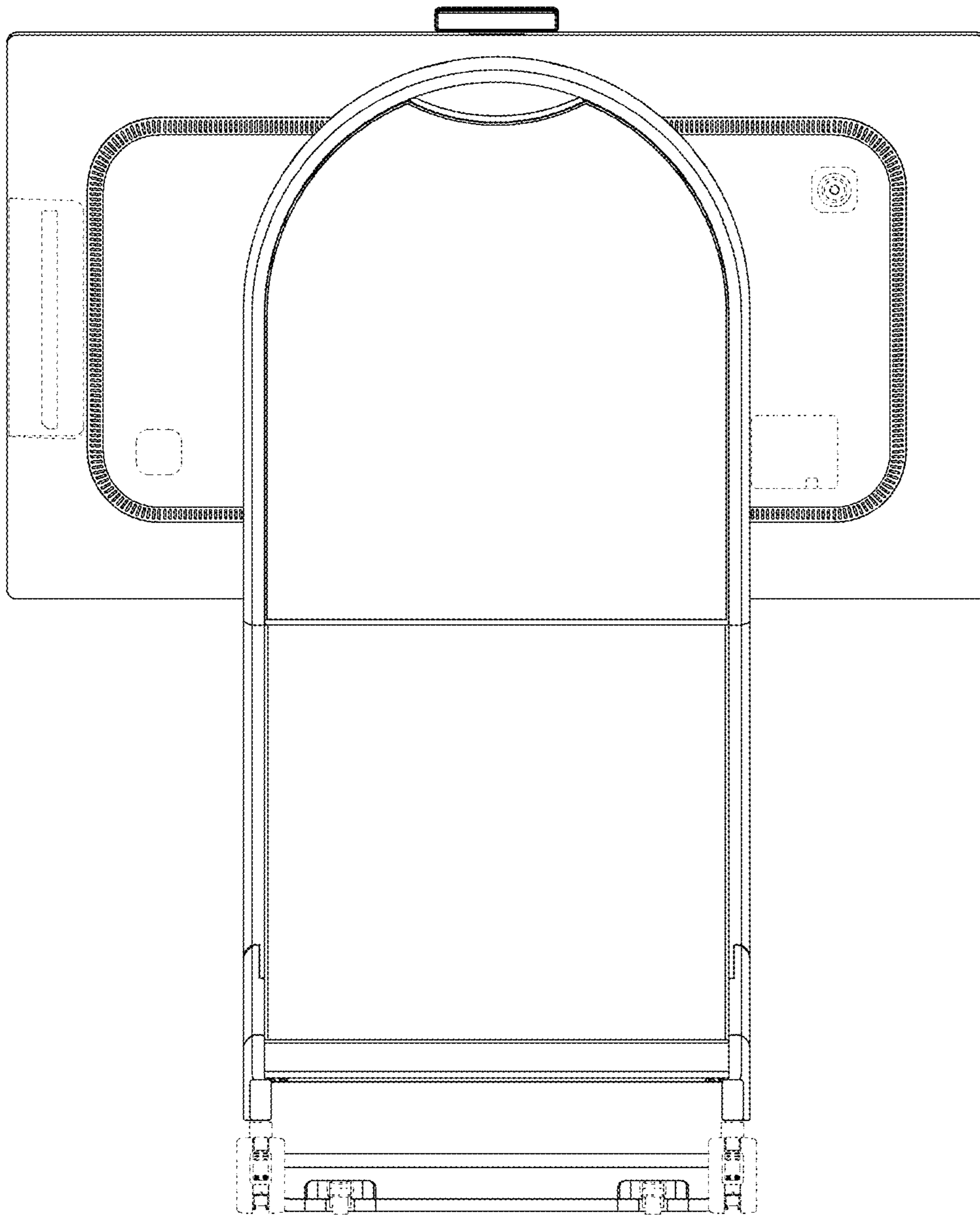
1.2



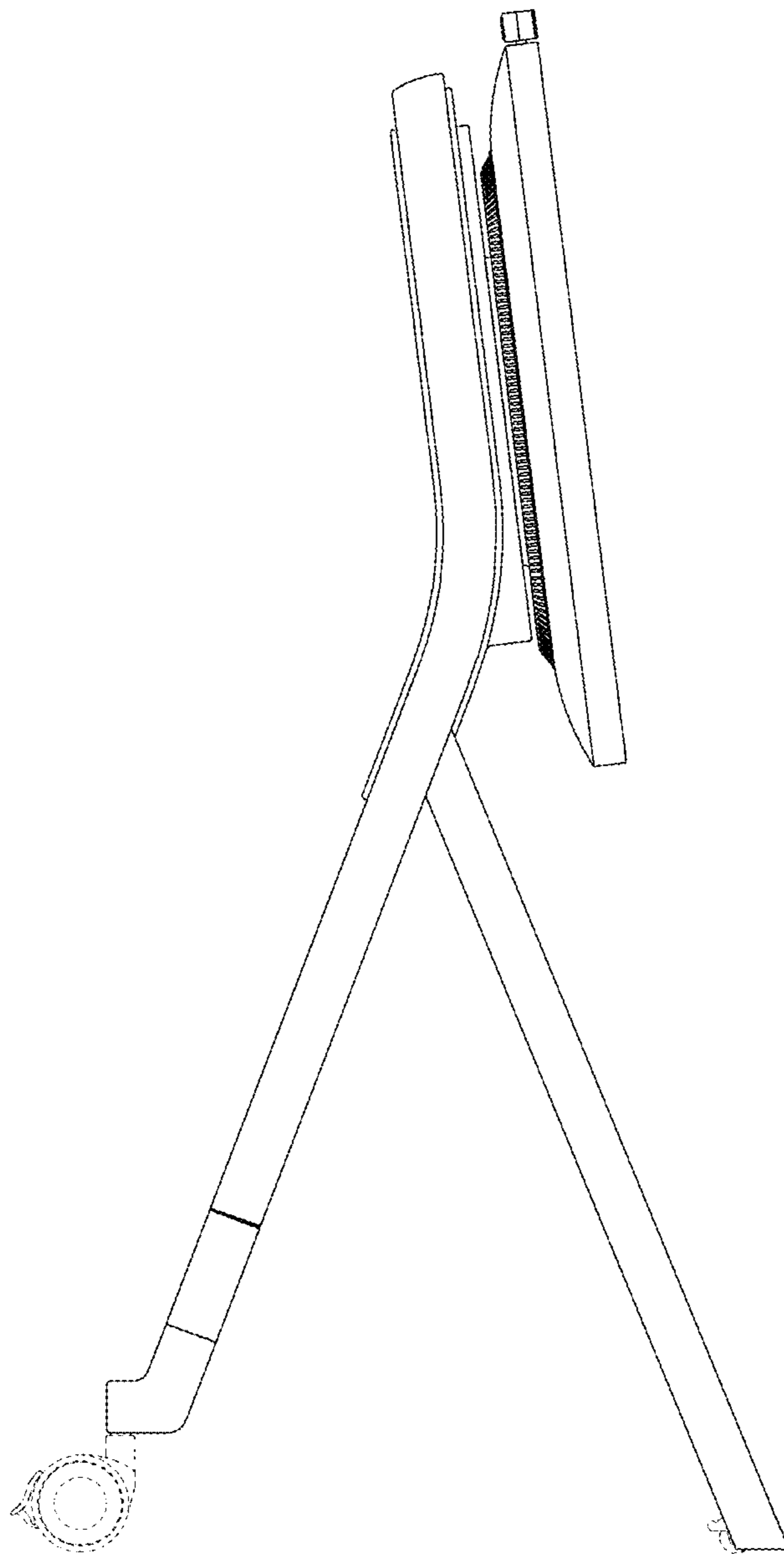
1.3



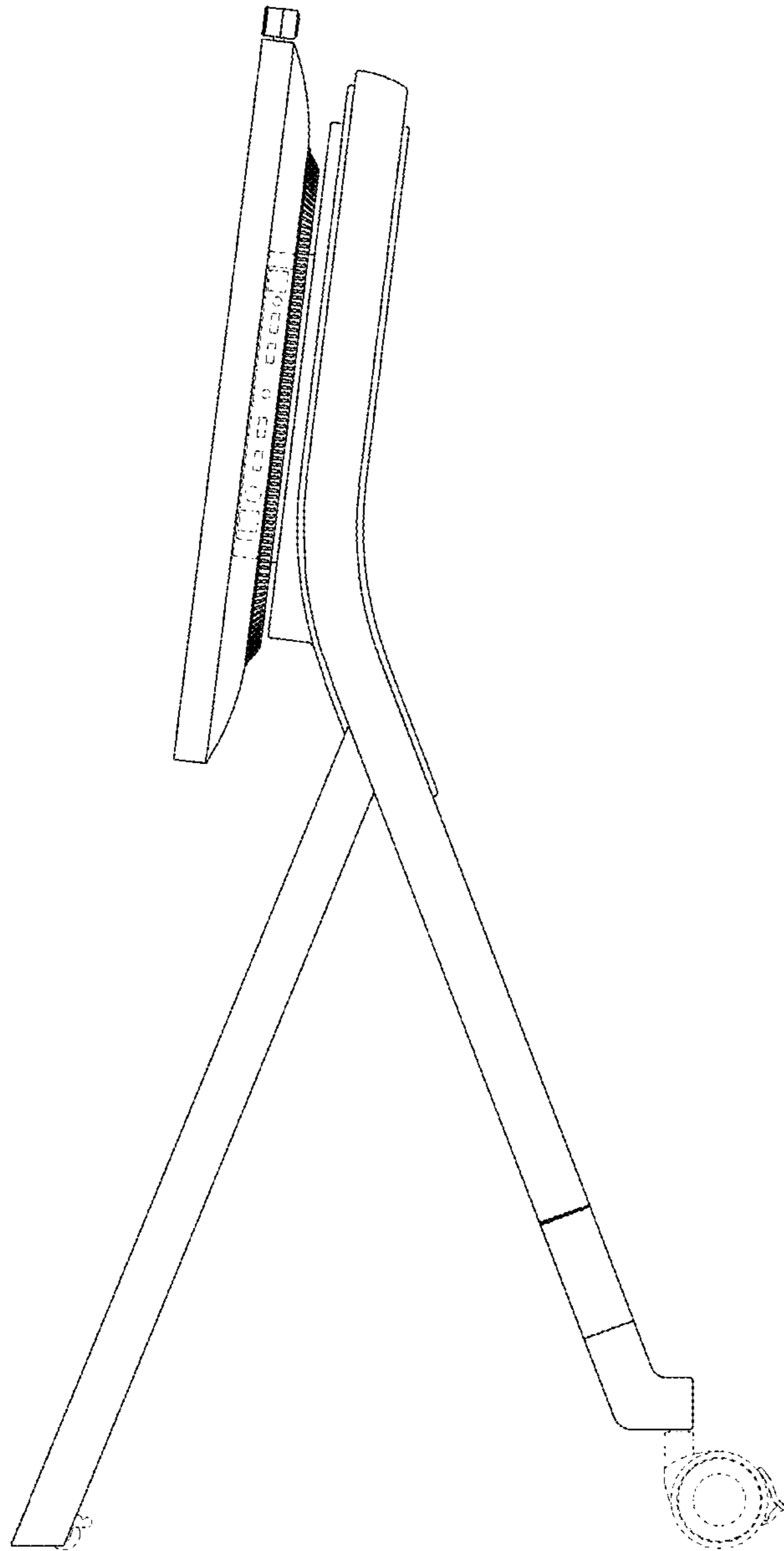
1.4



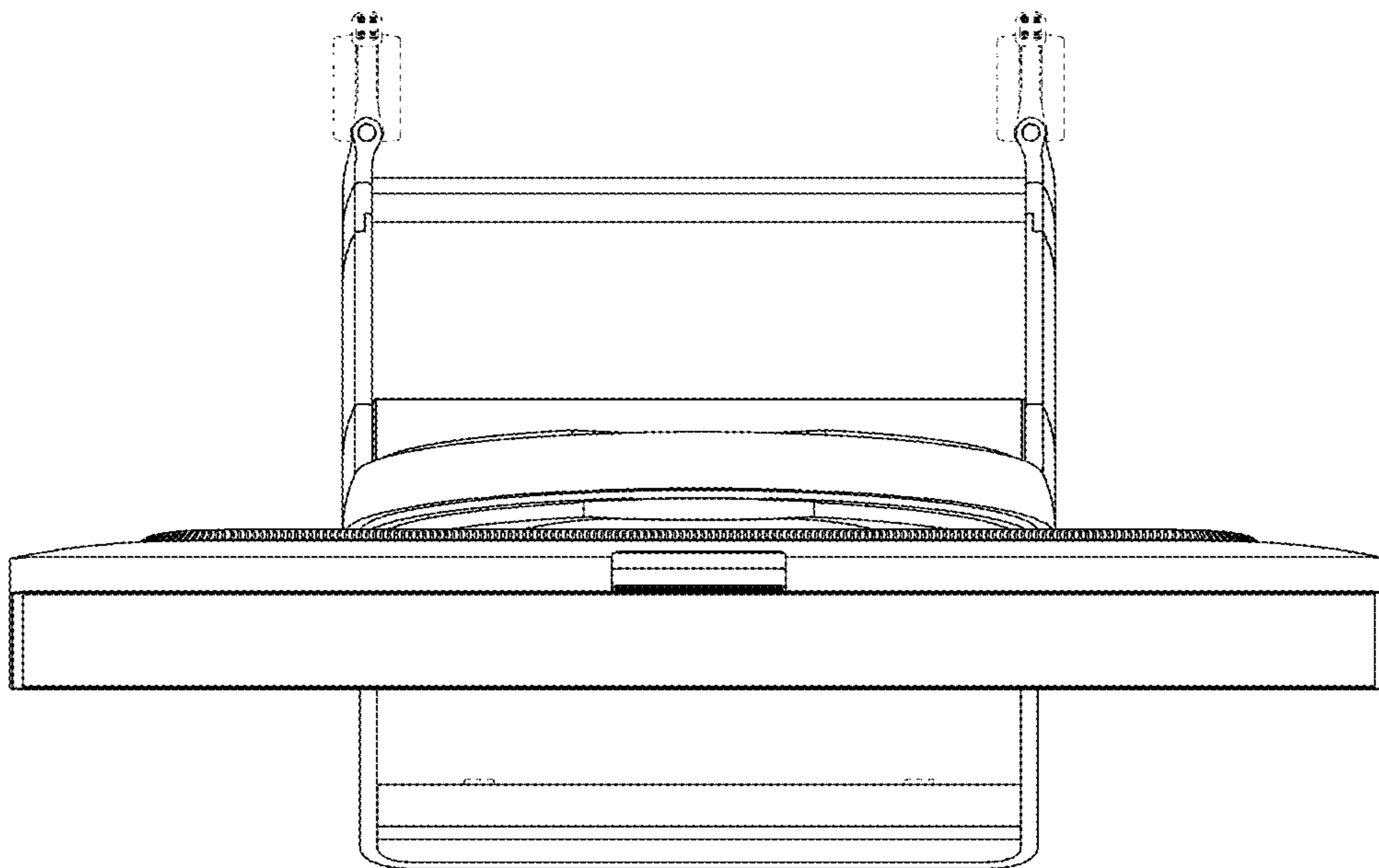
1.5



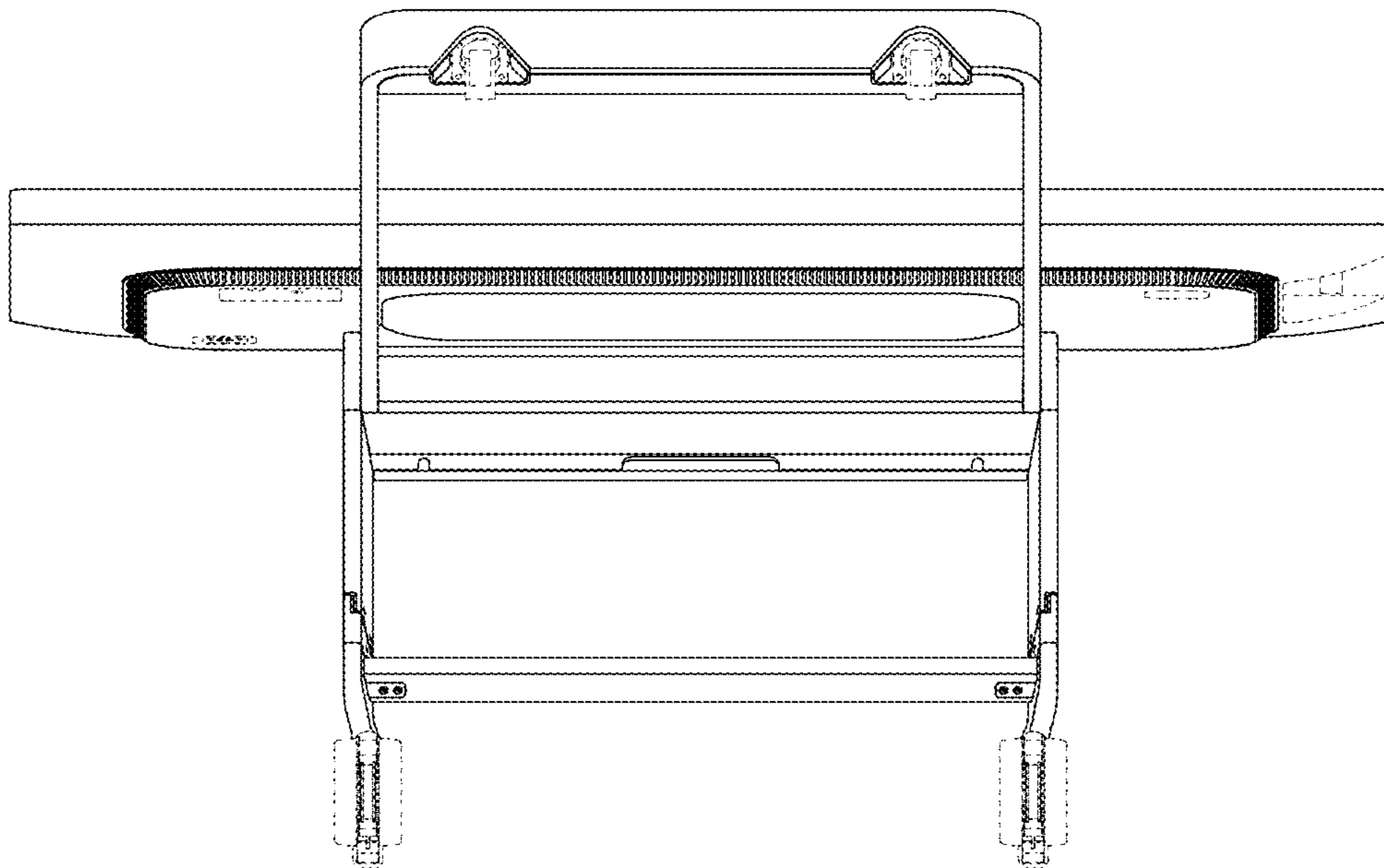
1.6



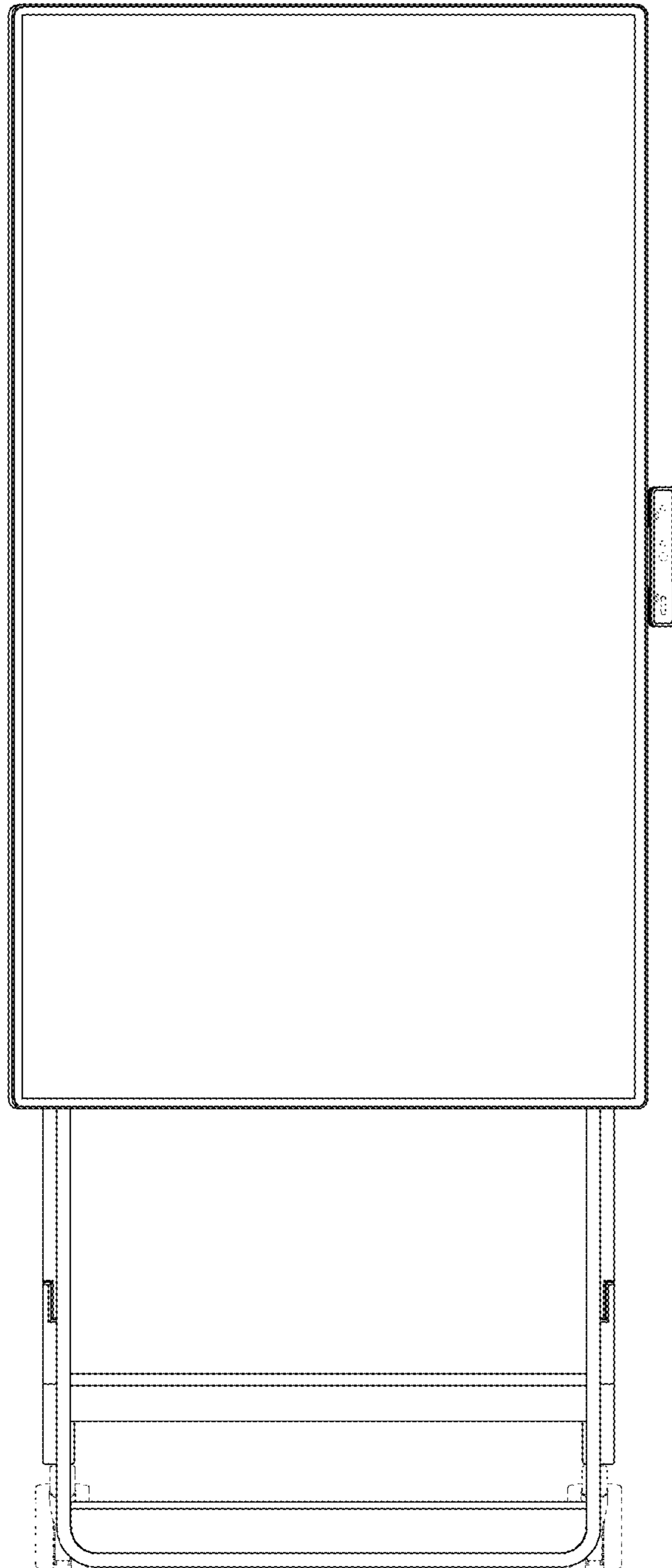
1.7



1.8



1.9



1.10

