



US00D983877S

(12) **United States Design Patent** (10) **Patent No.:** **US D983,877 S**
Huang (45) **Date of Patent:** **** Apr. 18, 2023**

(54) **PAINT BRUSH CASE**

(71) Applicant: **Changzhou Hibot E-Commerce Co., Ltd.**, Changzhou (CN)
(72) Inventor: **Bo Huang**, Jiangxi (CN)
(73) Assignee: **Changzhou Hibot E-Commerce Co., Ltd.**, Changzhou (CN)

(**) Term: **15 Years**

(21) Appl. No.: **29/809,151**

(22) Filed: **Sep. 26, 2021**

(51) **LOC (14) Cl.** **19-06**

(52) **U.S. Cl.**
USPC **D19/105**; D3/299; D3/290

(58) **Field of Classification Search**
USPC D3/232, 234, 244, 245, 246, 318, 321,
D3/226, 317, 285, 289, 283, 905, 299,
D3/290; D19/102, 105
CPC A45C 11/00
See application file for complete search history.

(56) **References Cited**

U.S. PATENT DOCUMENTS

D282,752 S *	2/1986	Olivetti	D19/105
4,718,524 A *	1/1988	Crumley	A45C 3/00
				190/110
6,070,729 A *	6/2000	Barnes	A45D 1/00
				206/581
D445,564 S *	7/2001	Brookhouse	D3/206
D671,744 S *	12/2012	Lang	D3/290
D724,318 S *	3/2015	Myer	D3/233
D730,647 S *	6/2015	Thompson	D3/299
D761,564 S *	7/2016	Rhodes	D3/902
D795,580 S *	8/2017	Grimmer	D3/299
D881,988 S *	4/2020	Fu	D19/105
D882,251 S *	4/2020	Monroe	D3/232
D882,252 S *	4/2020	Monroe	D3/232

(Continued)

OTHER PUBLICATIONS

Youtube, "Set de pinceles por omar ortiz", Published May 22, 2018.
(https://www.youtube.com/watch?v=y_yJkAQbDHg) (Year: 2018).*
(Continued)

Primary Examiner — April Rivas
(74) *Attorney, Agent, or Firm* — True Shepherd, LLC;
Andrew Cheng

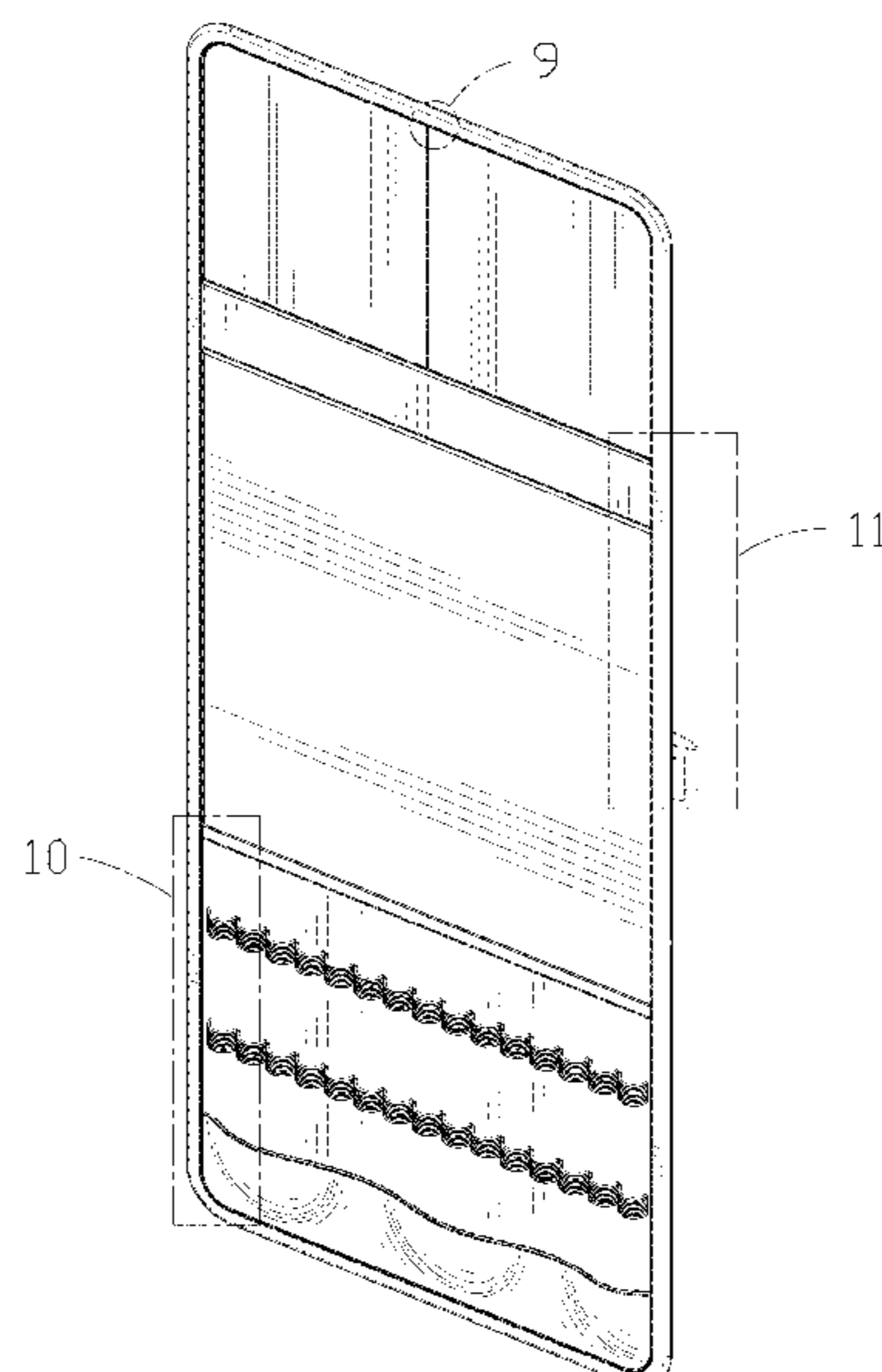
(57) **CLAIM**

The ornamental design for a paint brush case, as shown and described.

DESCRIPTION

FIG. 1 is a front, right and top perspective view of a paint brush case, showing my design.
FIG. 2 is a rear, left and bottom perspective view thereof.
FIG. 3 is a front elevation view thereof.
FIG. 4 is a rear elevation view thereof.
FIG. 5 is a left side elevation view thereof.
FIG. 6 is a right side elevation view thereof.
FIG. 7 is a top plan view thereof.
FIG. 8 is a bottom plan view thereof.
FIG. 9 is a partial enlarged view of an area labeled 9 in FIG. 1 comprising a top of the paint brush case.
FIG. 10 is a partial enlarged view of an area labeled 10 in FIG. 1 comprising a right side of the paint brush case.
FIG. 11 is a partial enlarged view of an area labeled 11 in FIG. 1 comprising paint brush holders of the paint brush case; and,
FIG. 12 is a reference view of the paint brush case of FIG. 1 wherein the paint brush case is folded and a strap of the paint brush case is unfolded.
The broken lines shown in the drawings are included for the purpose of illustrating portions of the paint brush case that form no part of the claimed design.

1 Claim, 12 Drawing Sheets



(56)

References Cited

U.S. PATENT DOCUMENTS

D882,253 S * 4/2020 Monroe D3/232
D930,360 S * 9/2021 Cai D3/289

OTHER PUBLICATIONS

Amazon, "Creative Mark Rockwell Short Handled Artist Brush Easel & Storage Case", First on sale Apr. 16, 2011. (<https://www.amazon.com/Creative-Mark-Rockwell-Handled-Storage/dp/B004WQI8ZM?th=1>) (Year: 2011).*

Amazon, "Kiota—Professional Makeup Brush Folder", First reviewed Jun. 14, 2018. (<https://www.amazon.com/LIMITED-Professional-Storage-Carrying-Limited/dp/B01FW50UY8>) (Year: 2018).*

* cited by examiner

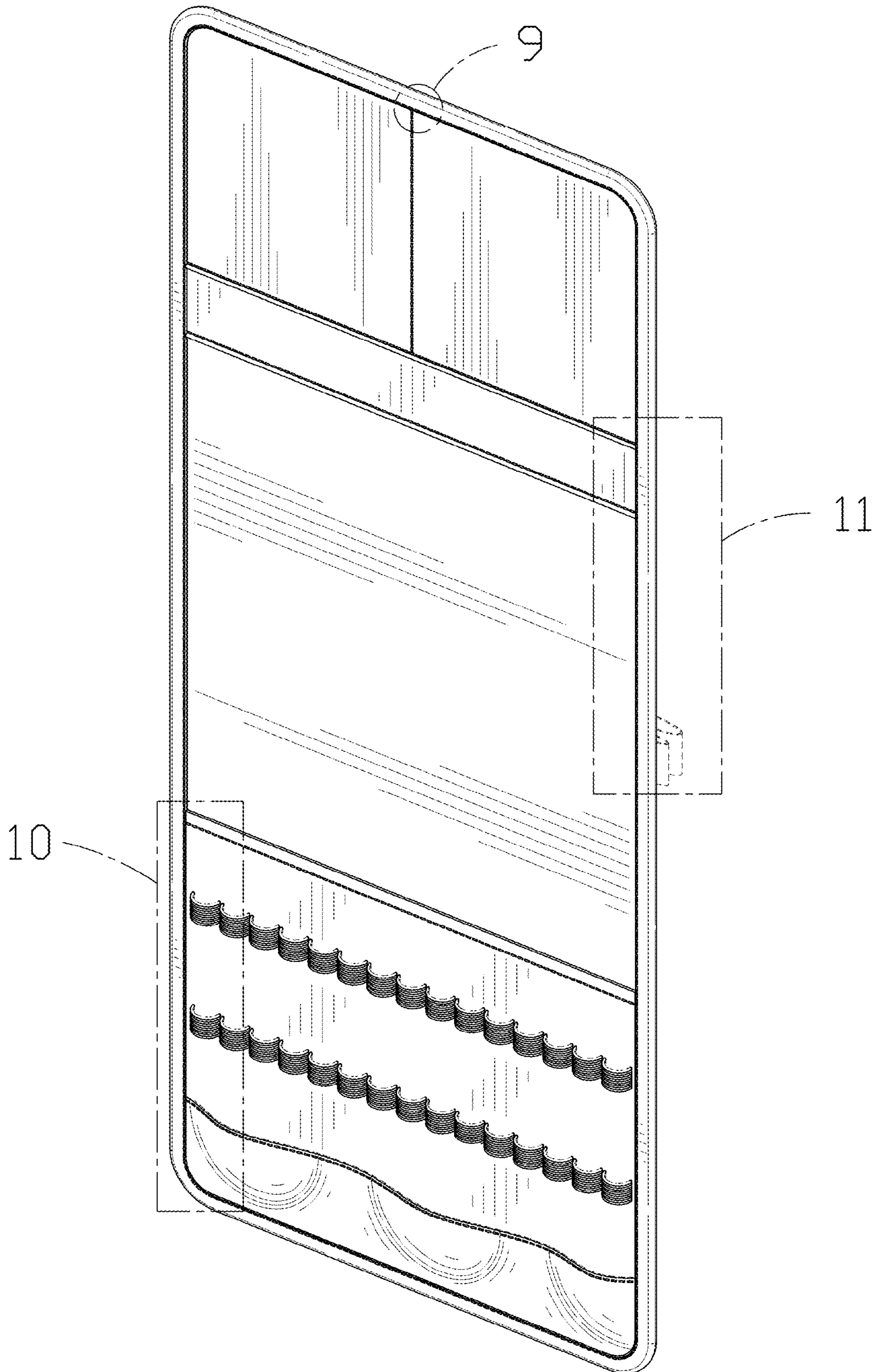


FIG. 1

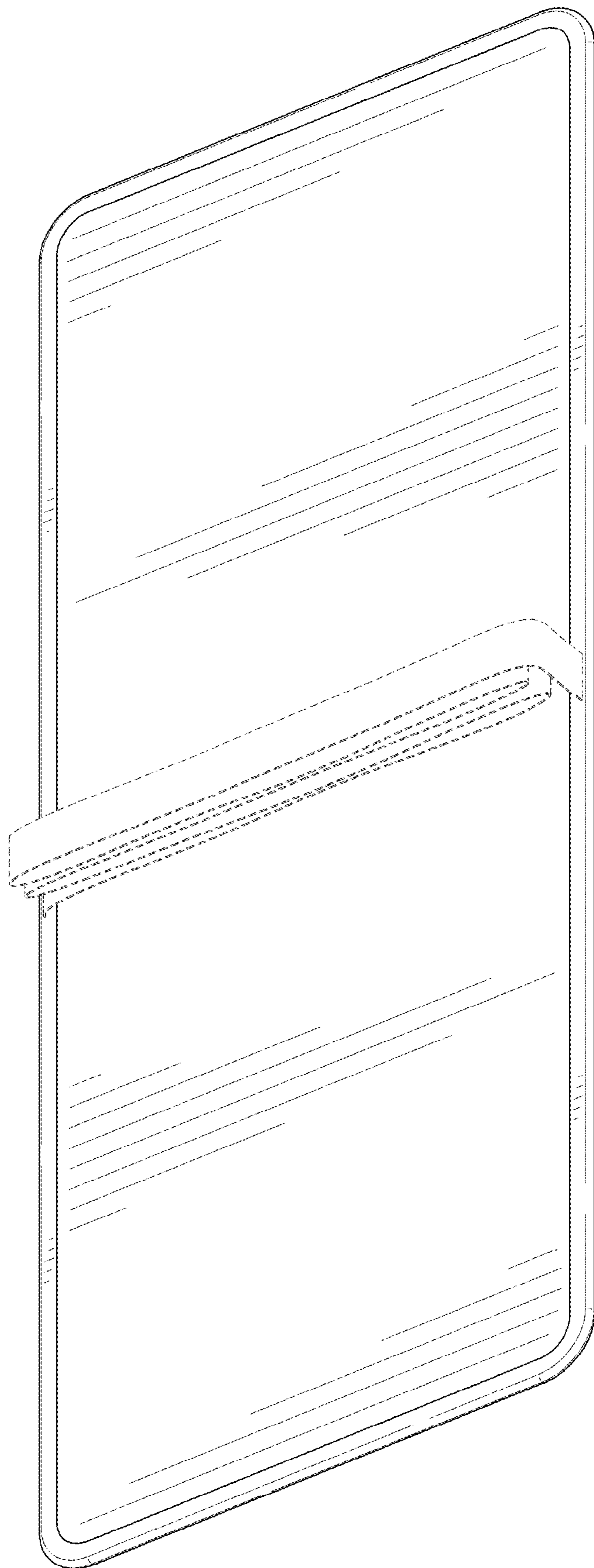


FIG. 2

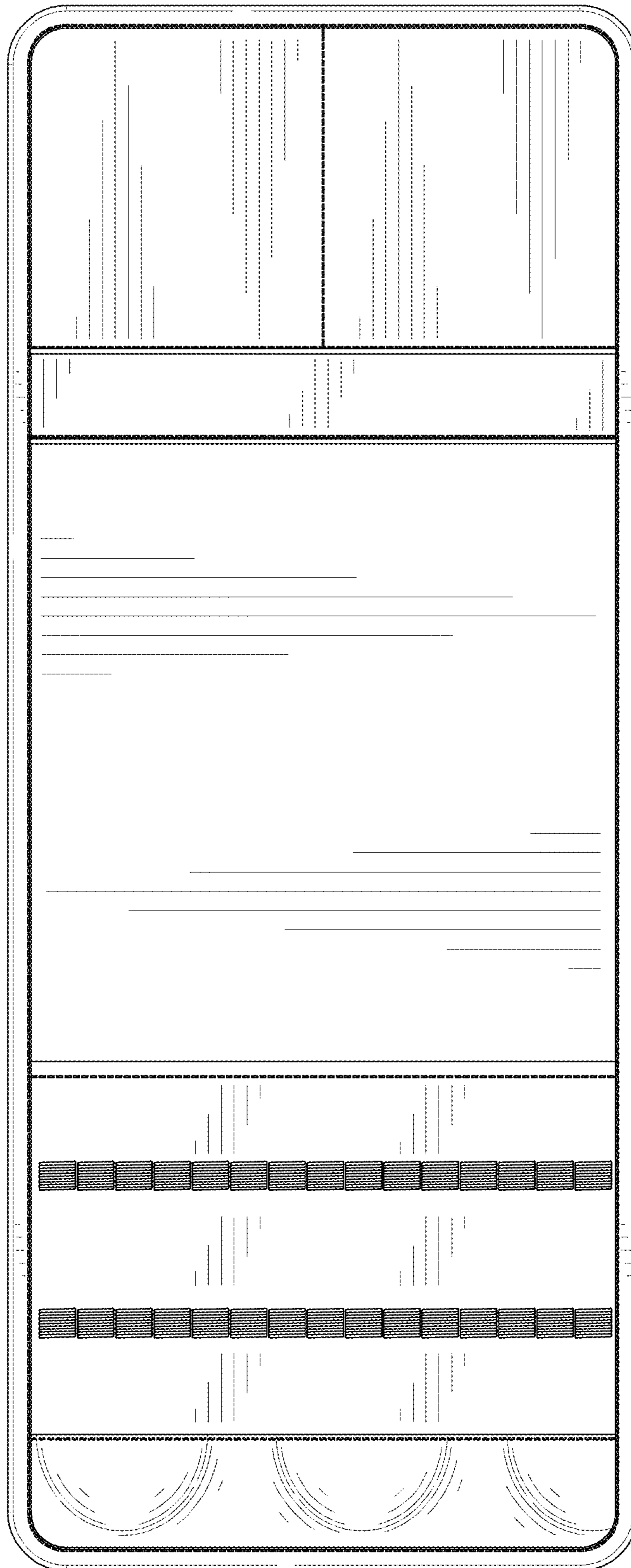


FIG. 3

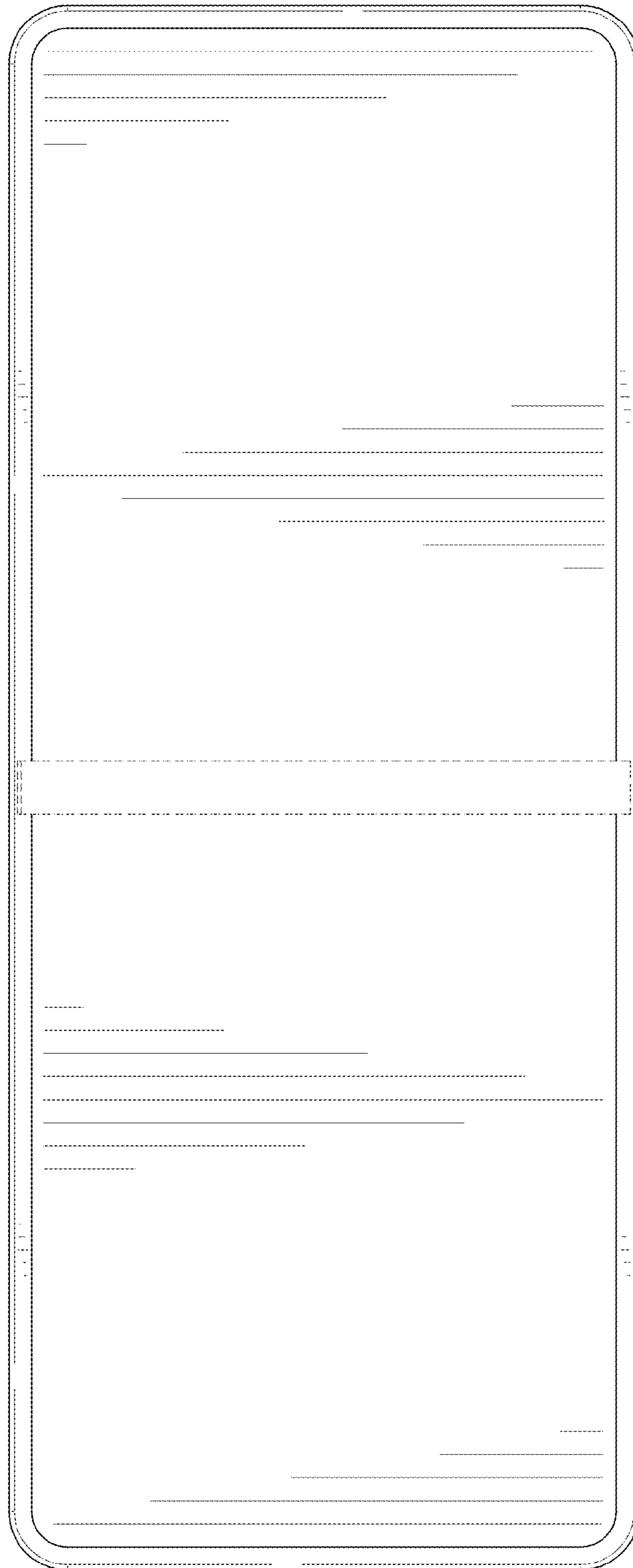


FIG. 4

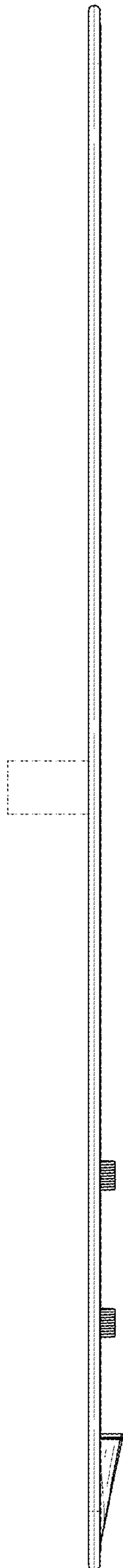


FIG. 5

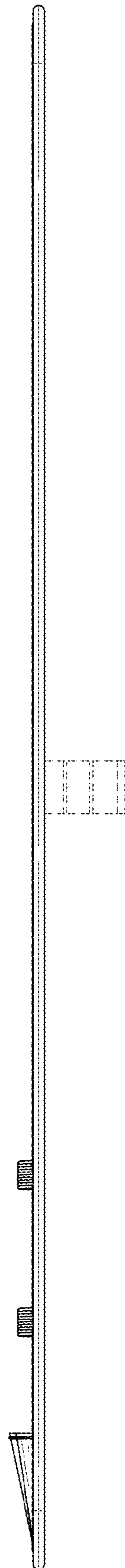


FIG. 6

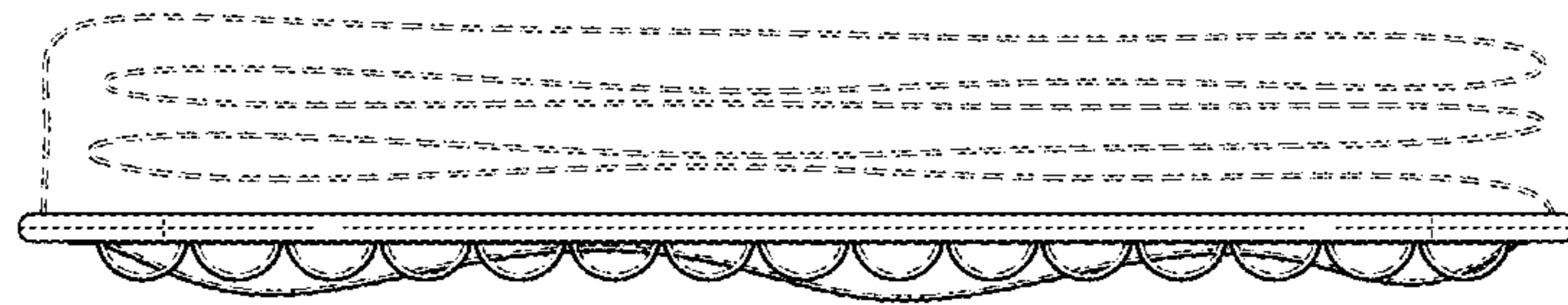


FIG. 7

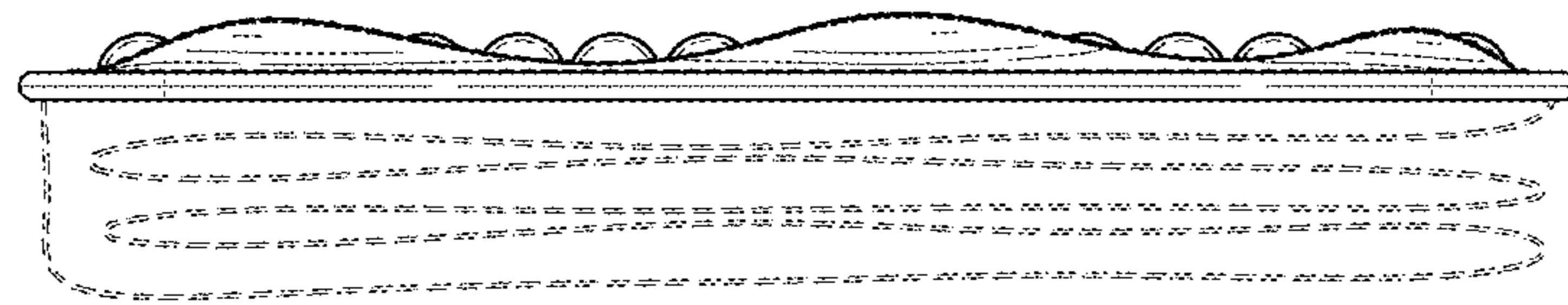


FIG. 8

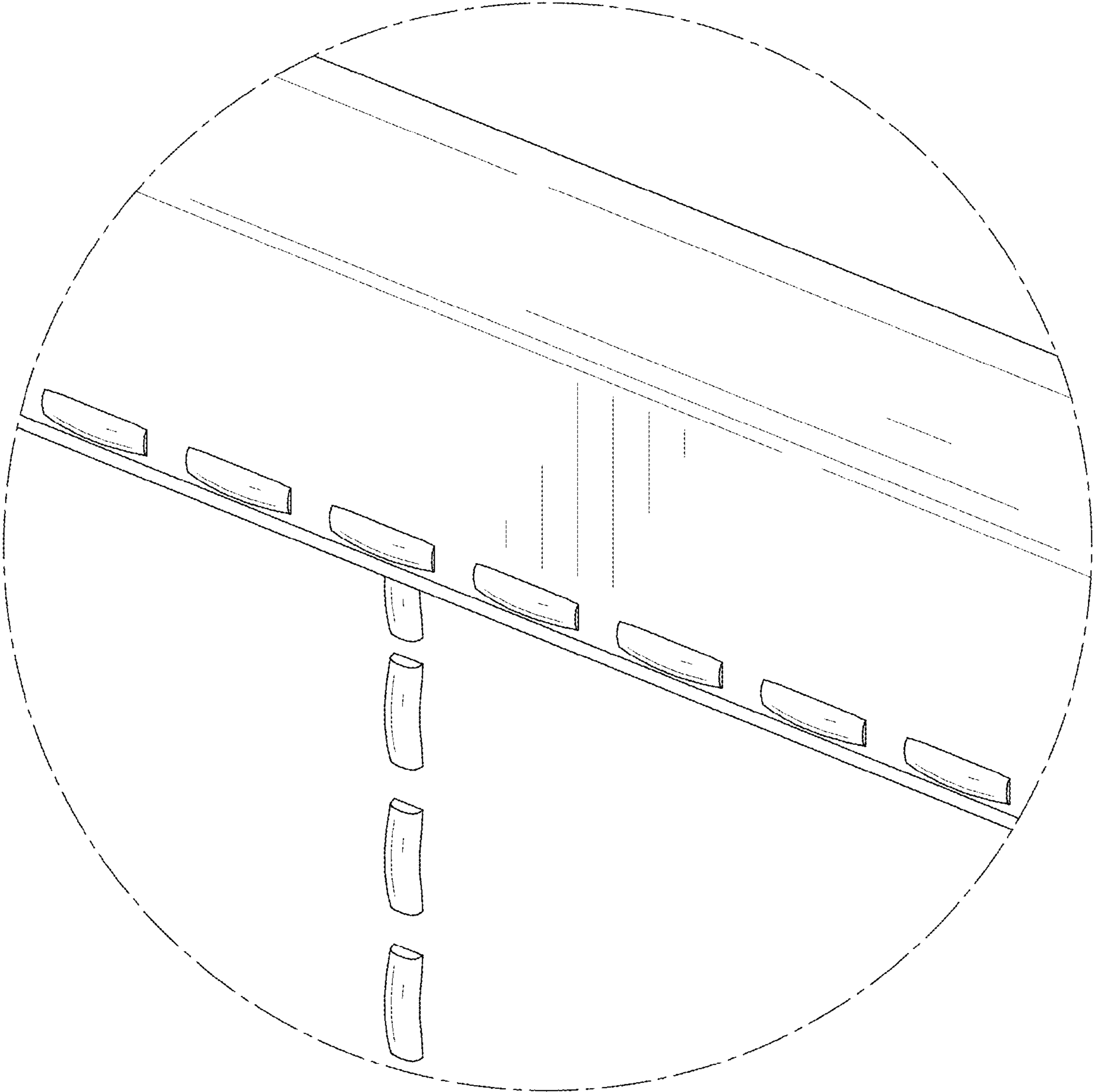


FIG. 9

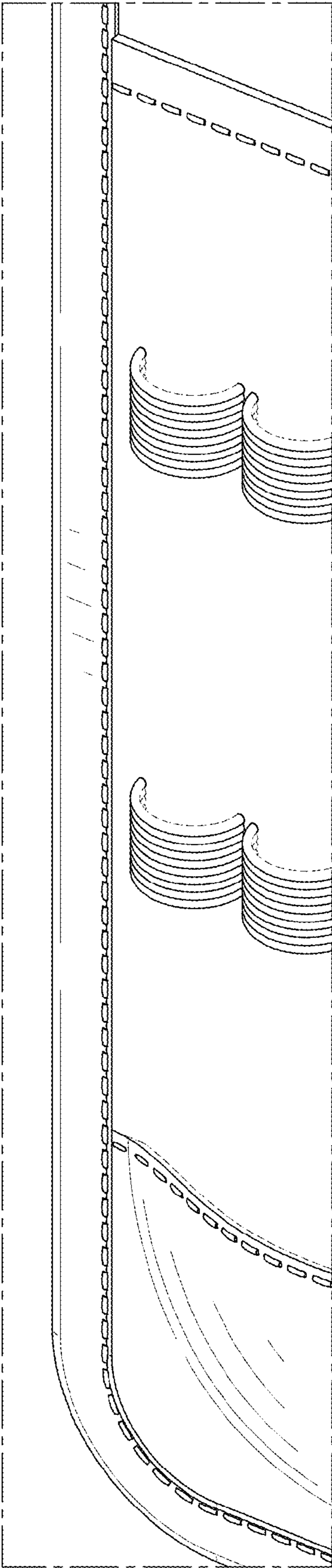


FIG. 10

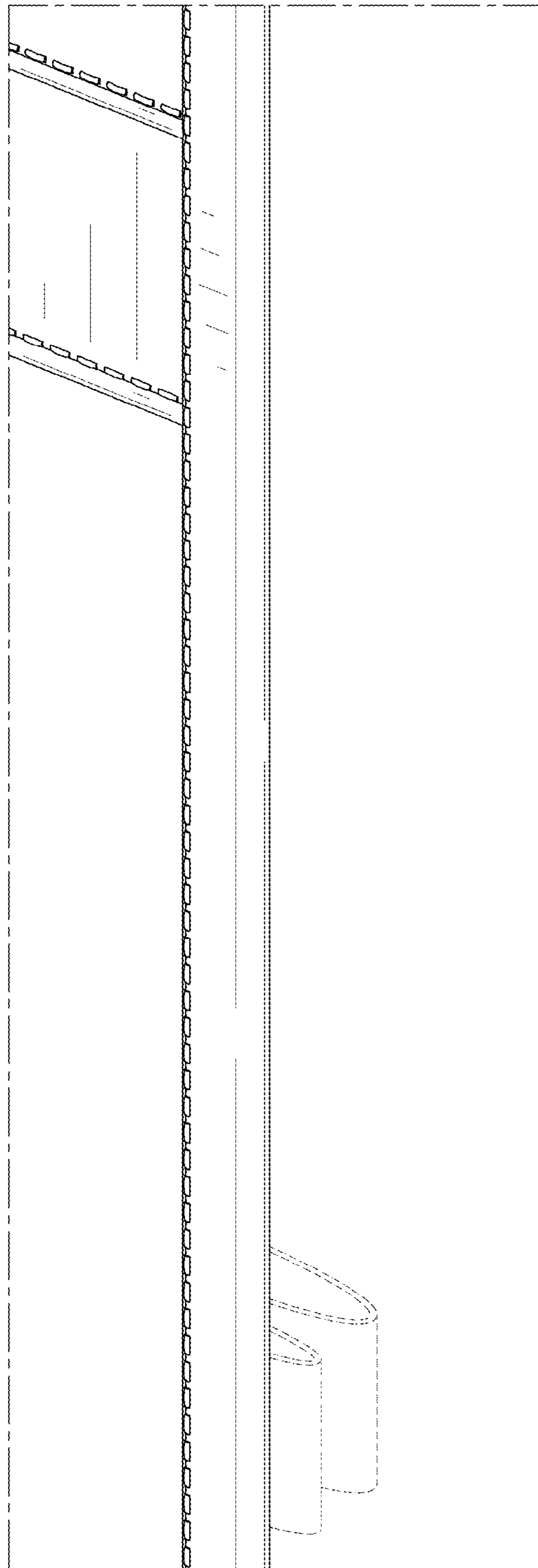


FIG. 11

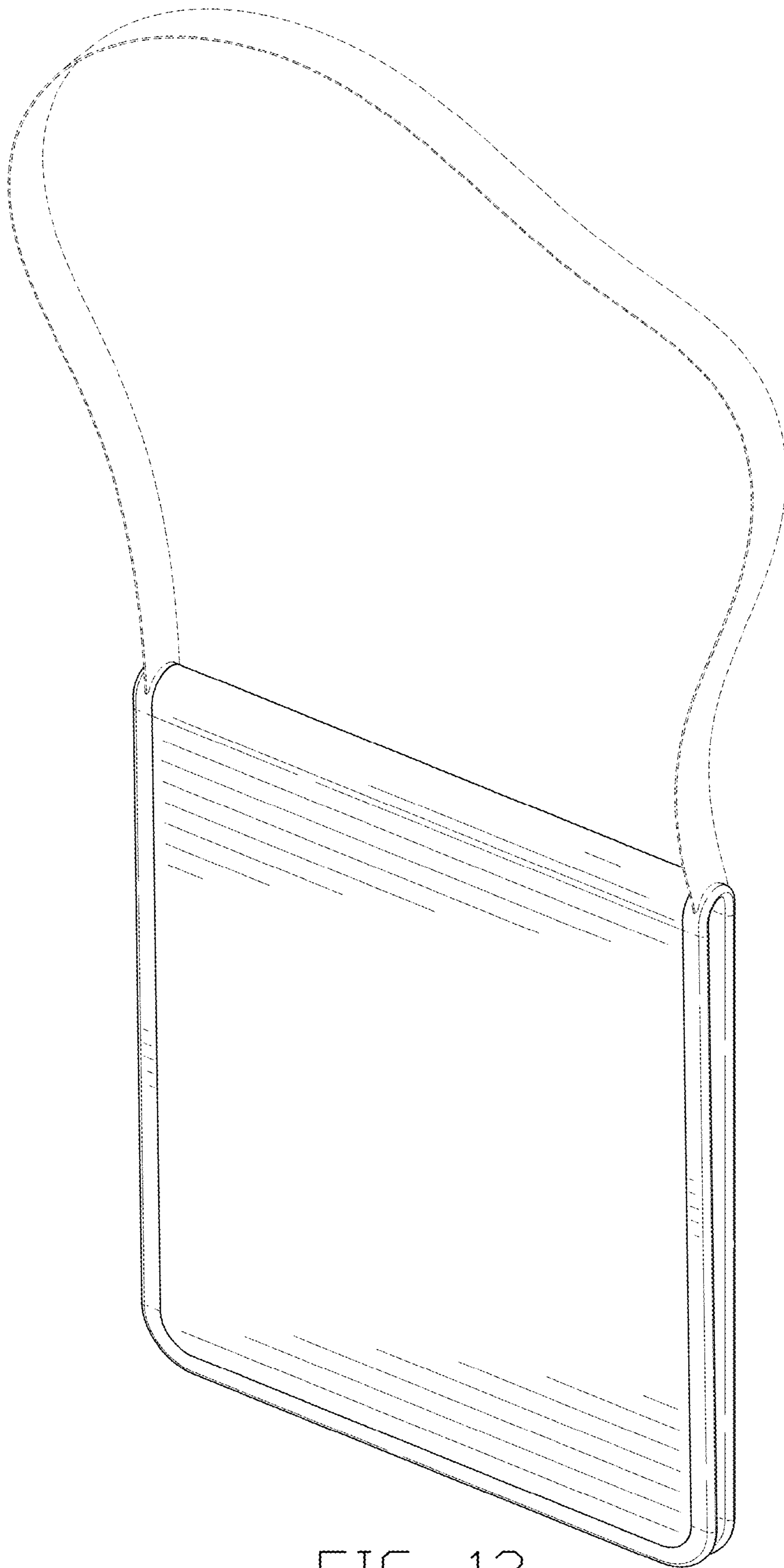


FIG. 12