



US00D983874S

(12) **United States Design Patent**
Gale

(10) **Patent No.:** **US D983,874 S**
(45) **Date of Patent:** **** Apr. 18, 2023**

(54) **SNARE MUFLER**
(71) Applicant: **Darren Gale**, Orange, MA (US)
(72) Inventor: **Darren Gale**, Orange, MA (US)
(**) Term: **15 Years**
(21) Appl. No.: **29/736,459**
(22) Filed: **May 30, 2020**
(51) **LOC (14) Cl.** **17-04**
(52) **U.S. Cl.**
USPC **D17/22**
(58) **Field of Classification Search**
USPC D6/349, 350, 356, 360, 362, 364, 365,
D6/366, 367, 371, 372, 374, 375, 376,
D6/379, 380, 716, 716.1, 353-355;
D17/22, 99
CPC A47C 1/02; A47C 1/022; A47C 1/024;
A47C 1/032; A47C 1/03255; A47C
1/034; A47C 1/035; A47C 1/04; A47C
1/06; A47C 3/18; A47C 3/20; A47C
3/025; A47C 3/026; A47C 7/18; A47C
7/24; A47C 7/36; A47C 7/46; A47C
9/007; A47C 9/02; A47C 5/04; G10D
13/01; G10D 13/10; G10D 13/14; G10D
13/18
See application file for complete search history.

5,986,197 A 11/1999 Allen
6,307,133 B1 10/2001 May et al.
D564,012 S 3/2008 Montineri
D580,477 S 11/2008 Sikra et al.
D679,744 S 4/2013 Hudson
D703,261 S 4/2014 Hudson
(Continued)

FOREIGN PATENT DOCUMENTS

DE 1270381 B * 6/1968
DE 3114203 A1 * 10/1982
(Continued)

OTHER PUBLICATIONS

Amazon.com.

Primary Examiner — R. Johnson

(56) **References Cited**

U.S. PATENT DOCUMENTS

590,182 A 9/1897 Bower
D228,023 S 7/1973 Grauso
3,951,032 A 4/1976 LaPorta et al.
4,138,920 A * 2/1979 Meador G10D 13/02
84/415
4,158,980 A 6/1979 Gauger
4,850,258 A * 7/1989 Hoshino G10D 13/16
84/415
D316,423 S 4/1991 Montineri
D322,623 S 12/1991 Craviotto et al.
5,520,083 A 5/1996 Falkner, Jr.
5,616,875 A 4/1997 Lombardi
5,763,797 A 6/1998 Loendorf
5,877,440 A 3/1999 Chaffee et al.
5,959,227 A 9/1999 Shapiro

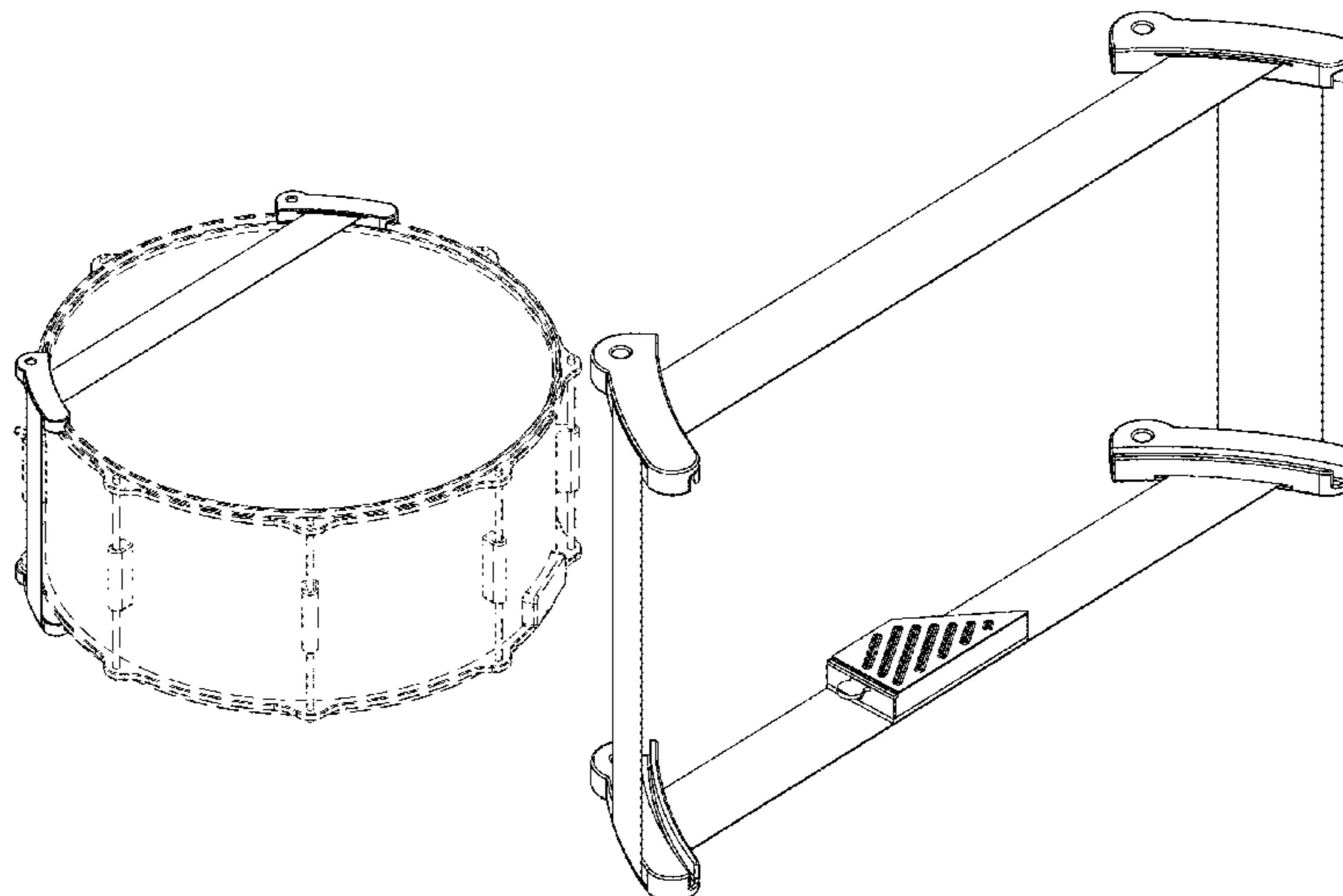
(57) **CLAIM**

The ornamental design for a snare muffler, as shown and described.

DESCRIPTION

FIG. 1 is an isometric top view of a snare muffler showing my new design; the snare muffler shown as assembled onto a snare drum;
FIG. 2 is an isometric bottom view thereof;
FIG. 3 is an isometric top view thereof; and,
FIG. 4 is a right orthographic view thereof.

1 Claim, 3 Drawing Sheets



(56)

References Cited

U.S. PATENT DOCUMENTS

9,631,652 B2 4/2017 Krol et al.
10,565,968 B1 * 2/2020 Miyajima G10D 13/18
10,643,589 B1 5/2020 McKee
2016/0343359 A1 * 11/2016 May G10D 13/28
2018/0114512 A1 * 4/2018 Shepard G10D 13/26
2022/0148544 A1 * 5/2022 Gale G10D 13/14

FOREIGN PATENT DOCUMENTS

GB 490988 A * 8/1938
GB 1106854 A * 3/1968
JP 2005331922 A * 12/2005 G10D 13/025

* cited by examiner

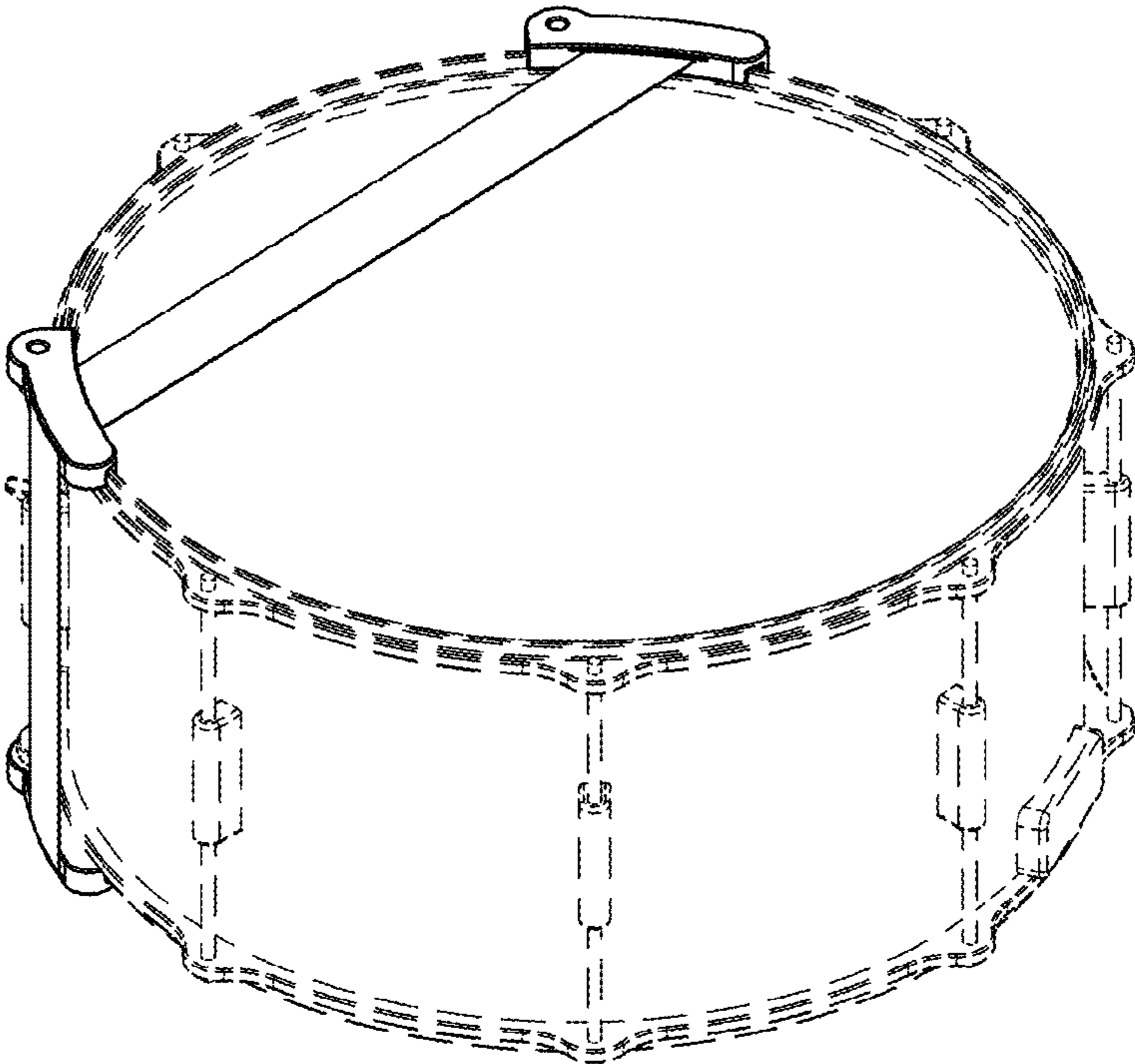


FIGURE 1

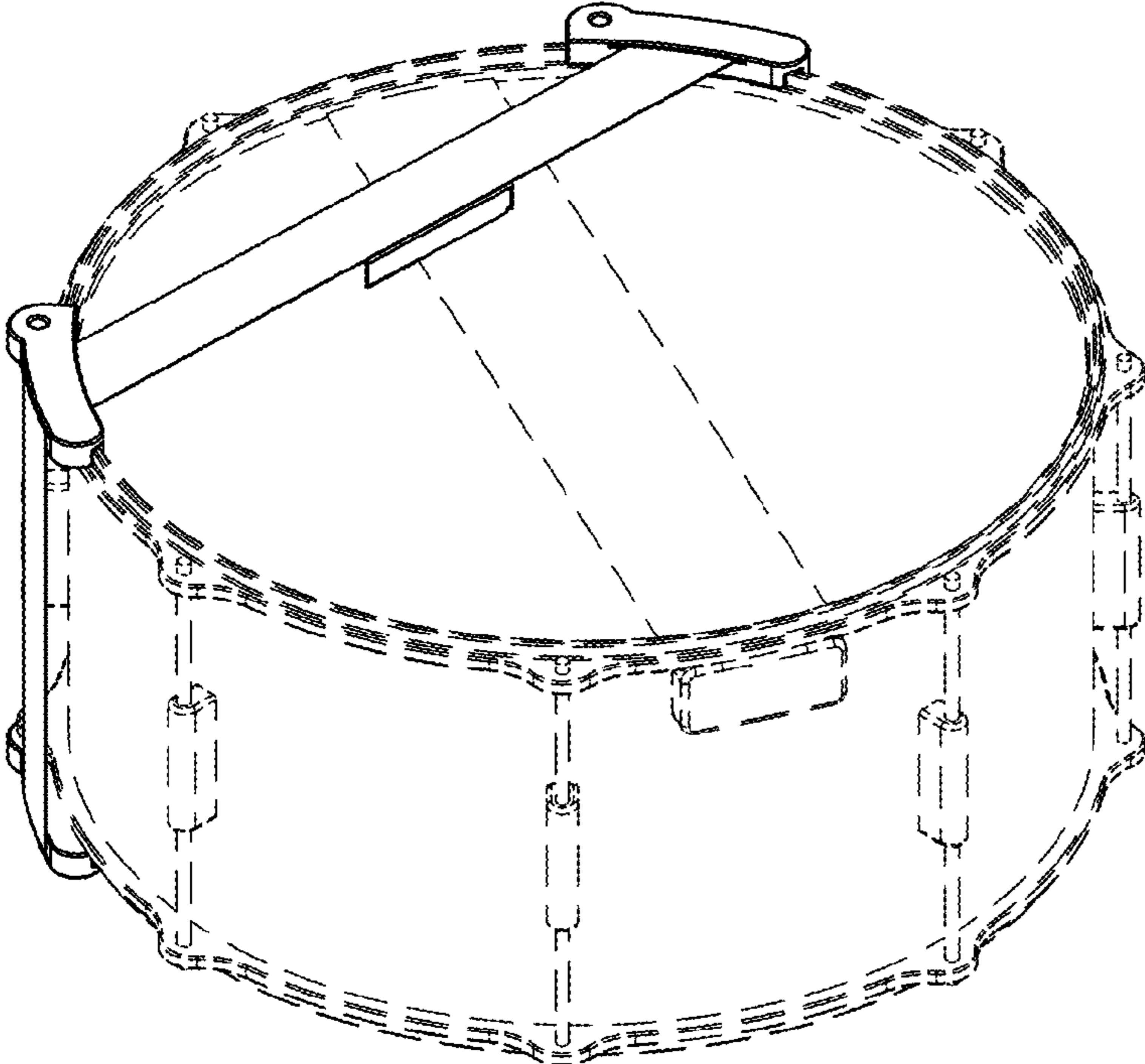


FIGURE 2

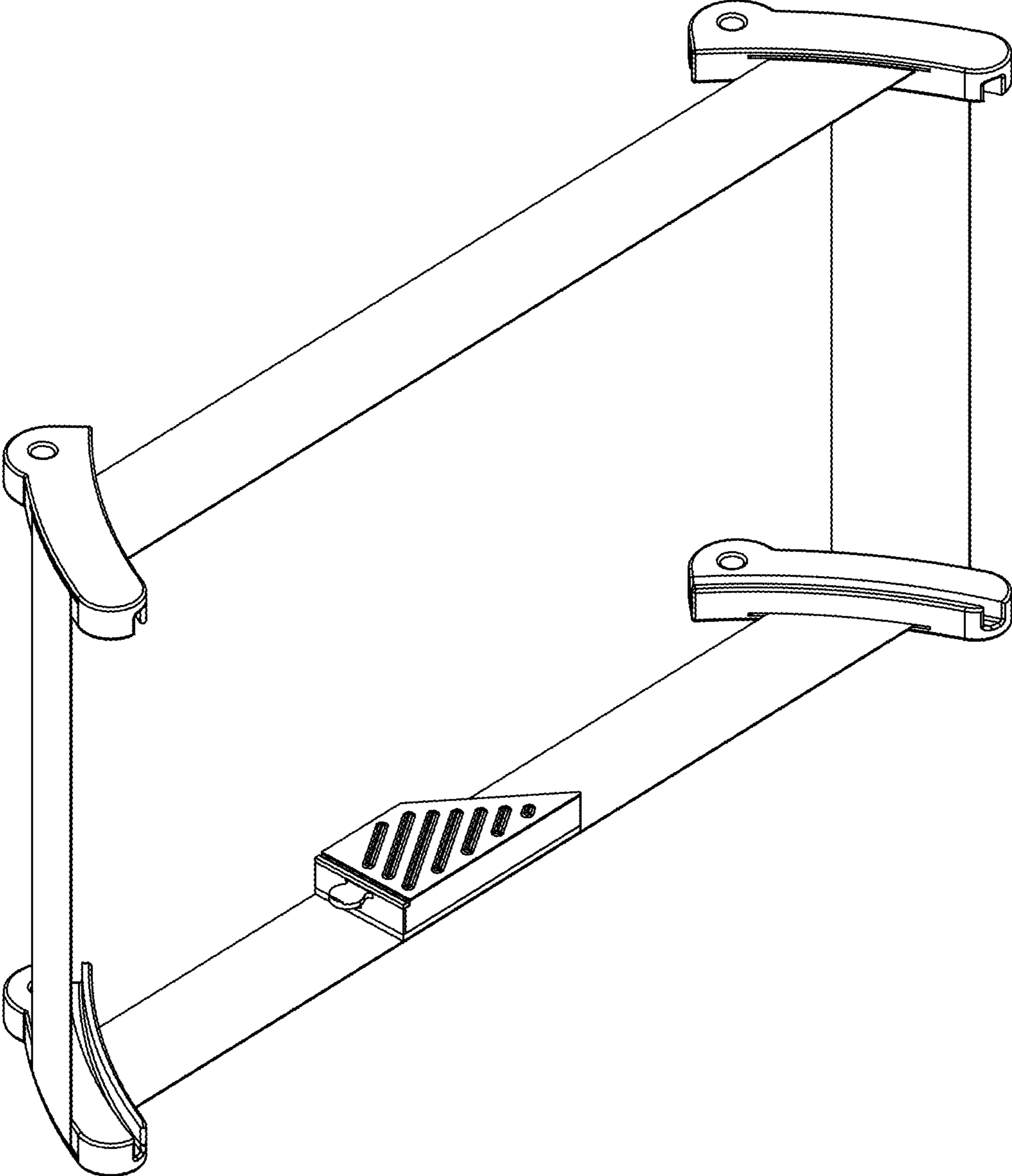


FIGURE 3

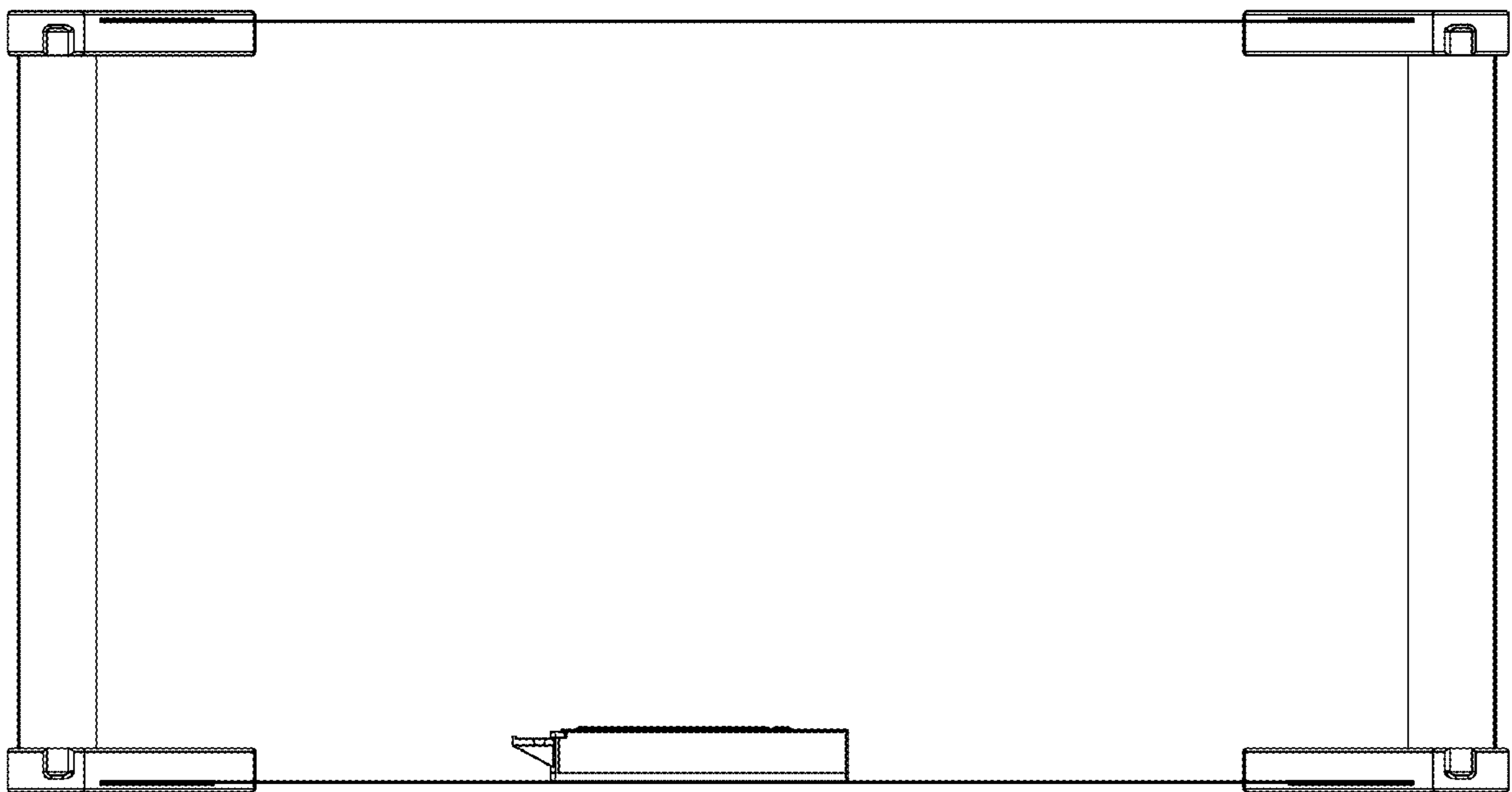


FIGURE 4