



US00D983865S

(12) **United States Design Patent** (10) **Patent No.:** **US D983,865 S**  
**Okada et al.** (45) **Date of Patent:** **\*\* Apr. 18, 2023**

(54) **SPECTACLES**

FOREIGN PATENT DOCUMENTS

(71) Applicant: **Mitsui Chemicals, Inc.**, Tokyo (JP)

KR 301076602.0000 \* 9/2020

(72) Inventors: **Yoshinobu Okada**, Nagoya (JP);  
**Eiichiro Hikosaka**, Nagoya (JP);  
**Akihiro Muramatsu**, Nagoya (JP)

OTHER PUBLICATIONS

(\*\*) Term: **15 Years**

Google Term Search: 'Bifocal', [site visited Aug. 26, 2022] <URL:  
https://www.google.com/search?q=bifocals&sxsrf=ALiCzsaW9Z\_  
Tps6WcUd6l8eWf1jA-oOHZg:1665192923761&source=lnms&tbm=  
isch&sa=X&ved=2ahUKEwiU4s-Fv8\_6AhV8KfKfHQhAulQ\_  
AUoAXoECAEQAw&biw=1920&bih=1057&dpr=1> (Year: 2022).\*

(21) Appl. No.: **35/512,605**

(22) Filed: **Mar. 24, 2021**

*Primary Examiner* — Sanjeev Paul

(80) **Hague Agreement Data**

Int. Filing Date: **Mar. 24, 2021**

Int. Reg. No.: **DM/214773**

Int. Reg. Date: **Mar. 24, 2021**

Int. Reg. Pub. Date: **Sep. 24, 2021**

(57) **CLAIM**

The ornamental design for spectacles, as shown and described.

(51) **LOC (14) Cl.** ..... **06-09**

(52) **U.S. Cl.**  
USPC ..... **D16/300**

**DESCRIPTION**

(58) **Field of Classification Search**  
USPC ..... D16/100, 101, 300  
CPC . G02C 7/02; G02C 7/00; G02C 7/022; G02C  
7/06

1. Spectacles

1.1: Front

1.2: Back

1.3: Top

1.4: Bottom

1.5: Left

1.6: Enlarged front view of the left lens

1.7: Enlarged back view of the left lens

See application file for complete search history.

The broken lines in figs. 1.1-1.5 are for the purpose of illustrating portions of the spectacles that form no part of the claimed design; the broken curved lines inside of the parts drawn by the solid lines in figs. 1.6 and 1.7 are for the purpose of illustrating lines that are visible when the left lens is viewed close up and that form no part of the claimed design; the broken lines outside of the parts drawn by the solid lines in figs. 1.6 and 1.7 are for the purpose of illustrating portions of the spectacles that form no part of the claimed design; and a right view of spectacles and enlarged front and back views of the right lens are omitted because they are mirror images of figs. 1.5, 1.6, and 1.7, respectively.

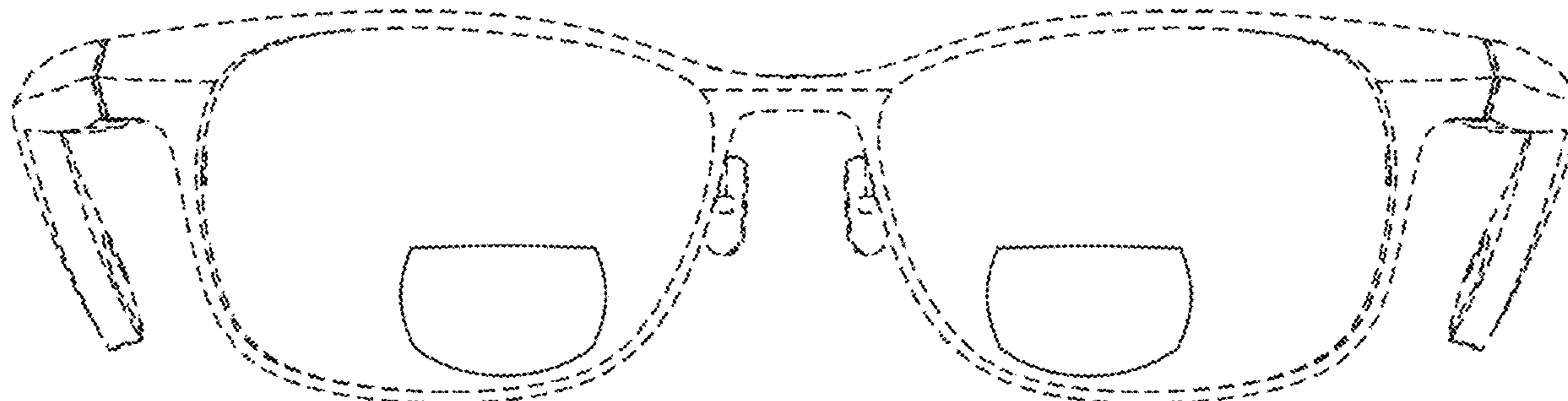
(56) **References Cited**

U.S. PATENT DOCUMENTS

1,866,734 A \* 7/1932 Tillyer ..... G02C 7/06  
D16/101  
1,876,497 A \* 9/1932 Hancock ..... G02C 7/06  
D16/101  
1,899,777 A \* 2/1933 Stanley ..... G02C 7/06  
351/159.48  
1,906,672 A \* 5/1933 Toulmin, Jr. .... G02C 7/06  
351/159.48  
D91,146 S \* 12/1933 Stevens ..... D16/101  
1,942,333 A \* 1/1934 Haussmann ..... G02C 7/06  
D16/101  
2,045,399 A \* 6/1936 McMurdo ..... G02C 7/105  
D16/101

(Continued)

**1 Claim, 7 Drawing Sheets**



(56)

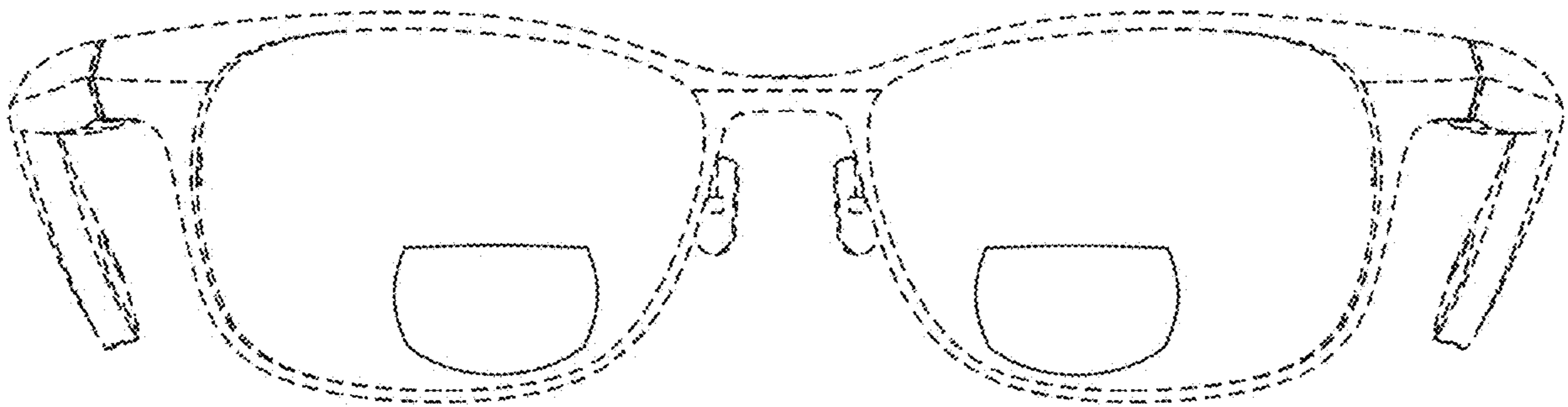
References Cited

U.S. PATENT DOCUMENTS

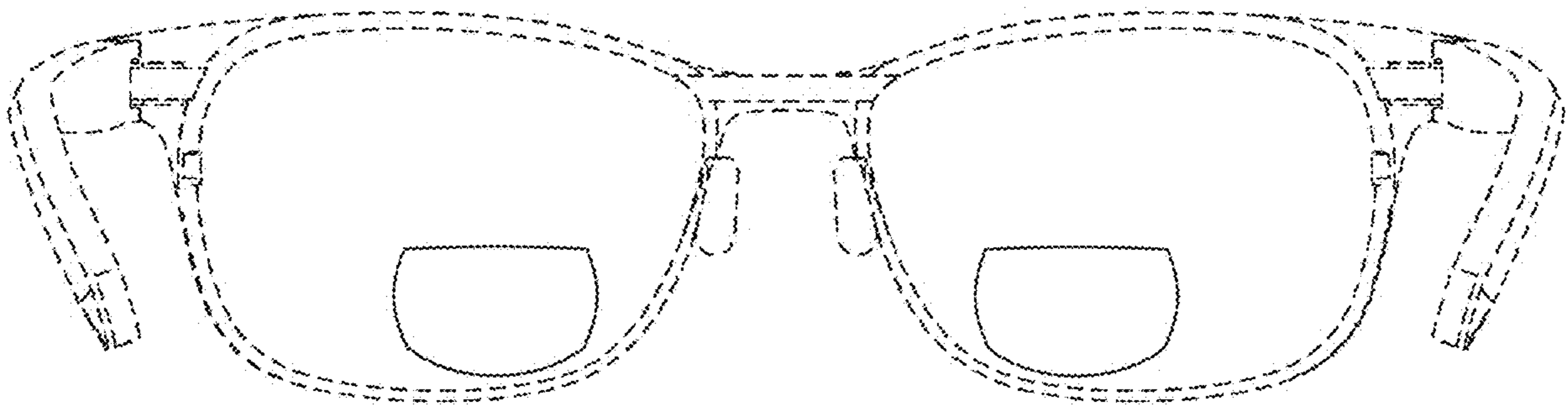
2,276,102 A \* 3/1942 Schwartz ..... G02C 1/00  
 351/86  
 2,895,376 A \* 7/1959 Linder, Jr. .... G02C 9/00  
 351/44  
 D285,309 S \* 8/1986 Rips ..... D16/101  
 D310,377 S \* 9/1990 Wang-Lee ..... D16/101  
 5,805,263 A \* 9/1998 Reymondet ..... G02C 7/02  
 351/159.01  
 D416,923 S \* 11/1999 Jahnke ..... D16/101  
 D427,620 S \* 7/2000 Spivey ..... D16/314  
 D556,228 S \* 11/2007 Lam ..... D16/101  
 D663,335 S \* 7/2012 Freier ..... D16/101  
 D931,352 S \* 9/2021 Kossev ..... D16/101  
 11,372,266 B1 \* 6/2022 Perryman ..... G02C 7/06  
 2013/0208238 A1 \* 8/2013 Blum ..... B29D 11/00817  
 29/428  
 2017/0212364 A1 \* 7/2017 Lin ..... G02C 7/022  
 2019/0033619 A1 \* 1/2019 Neitz ..... G02C 7/04  
 2020/0331219 A1 \* 10/2020 Van Heugten ..... B33Y 40/20  
 2021/0382325 A1 \* 12/2021 Kubota ..... G02C 7/04  
 2022/0137264 A1 \* 5/2022 Inaba ..... B29D 11/00644  
 359/483.01

\* cited by examiner

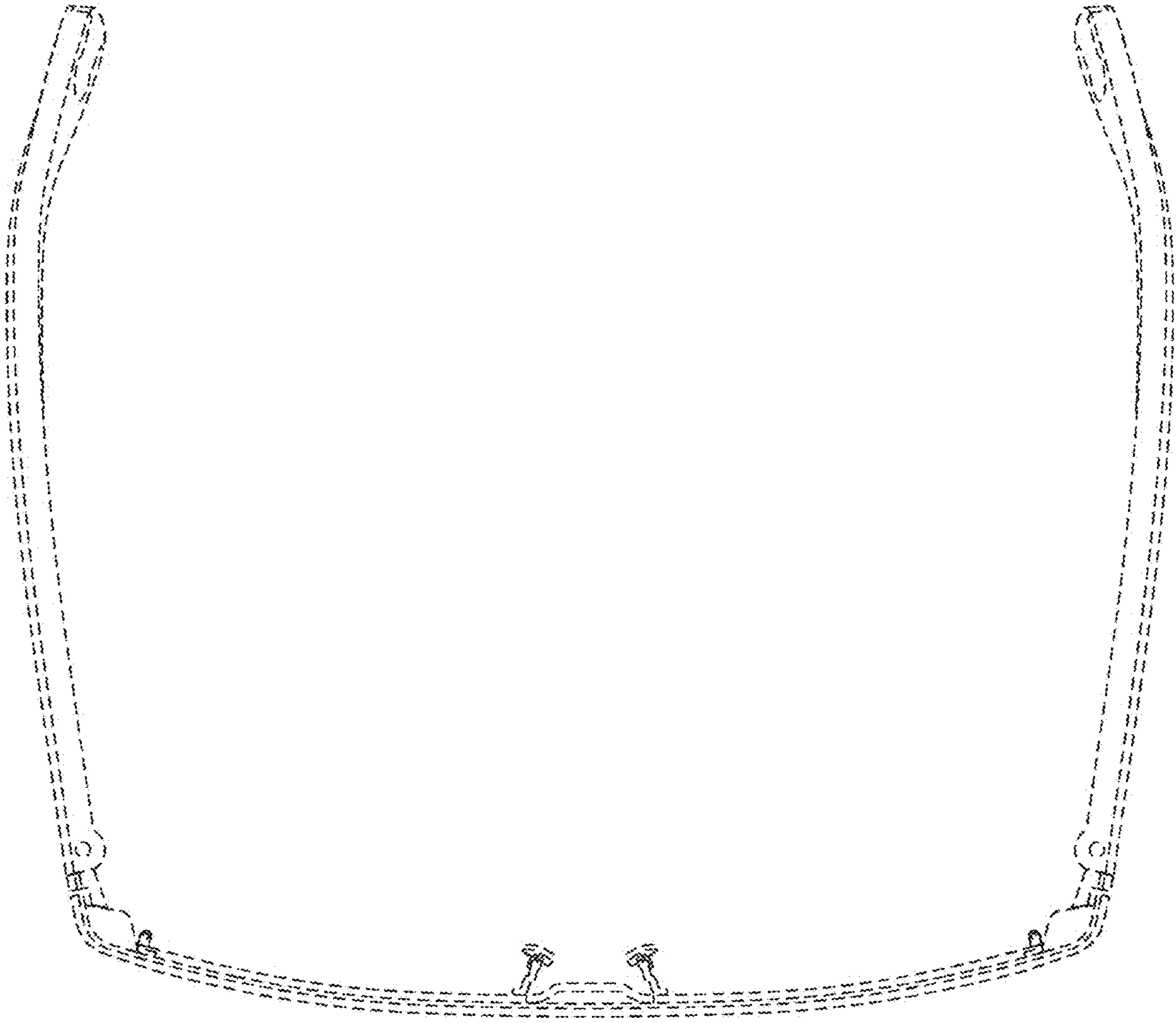
1.1



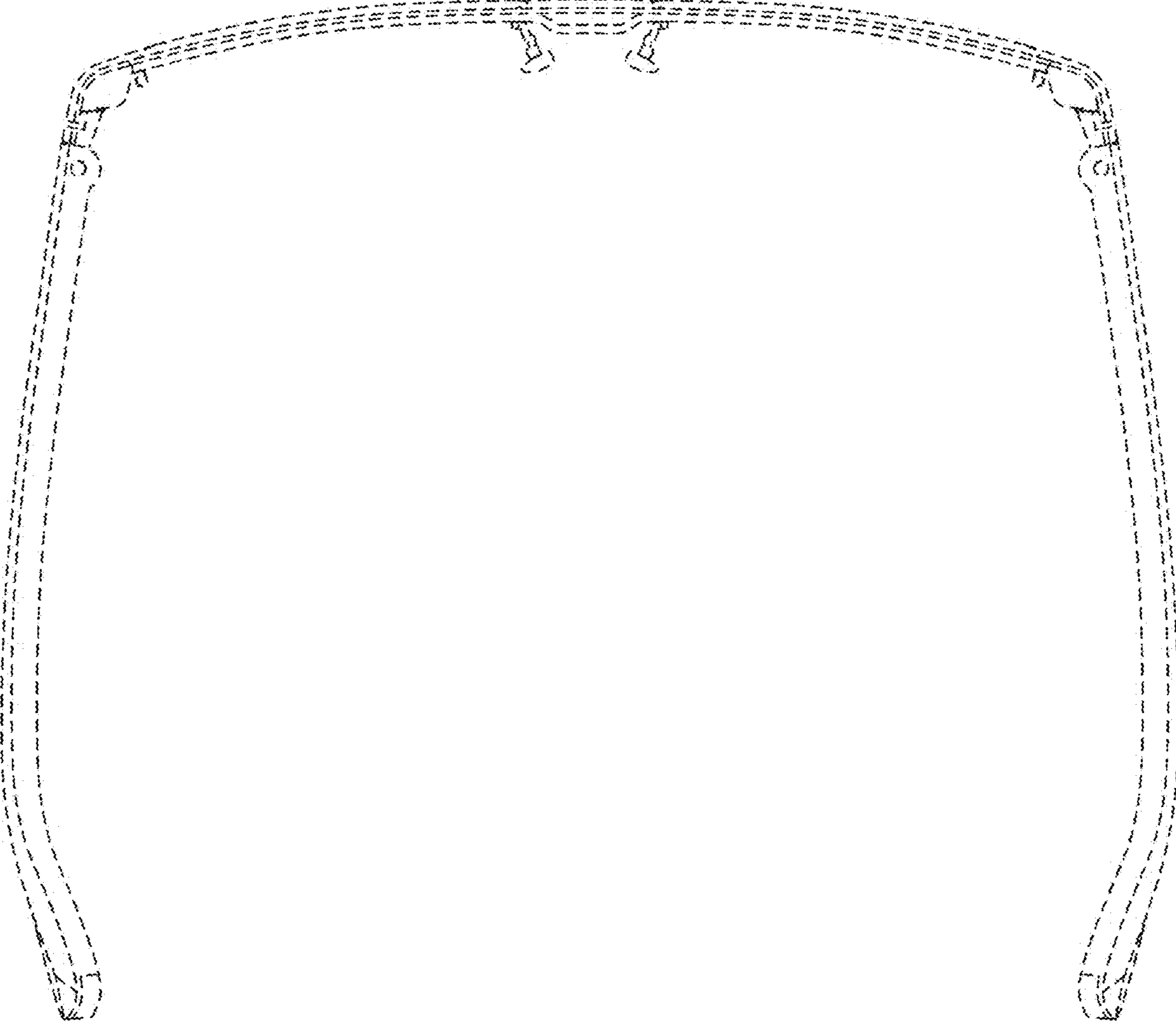
1.2



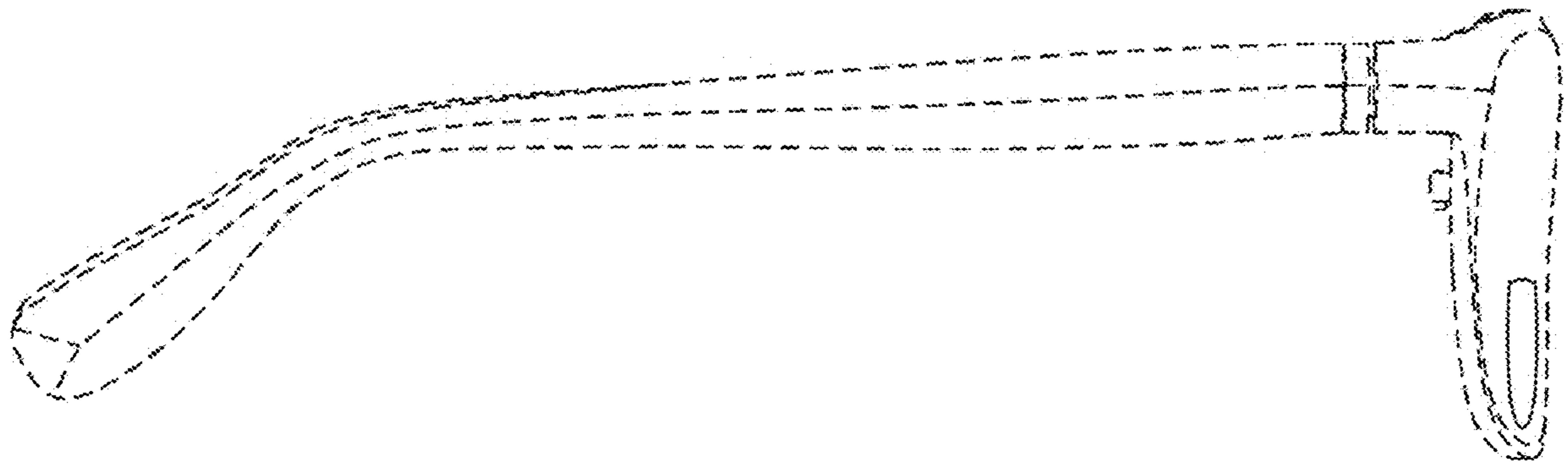
1.3



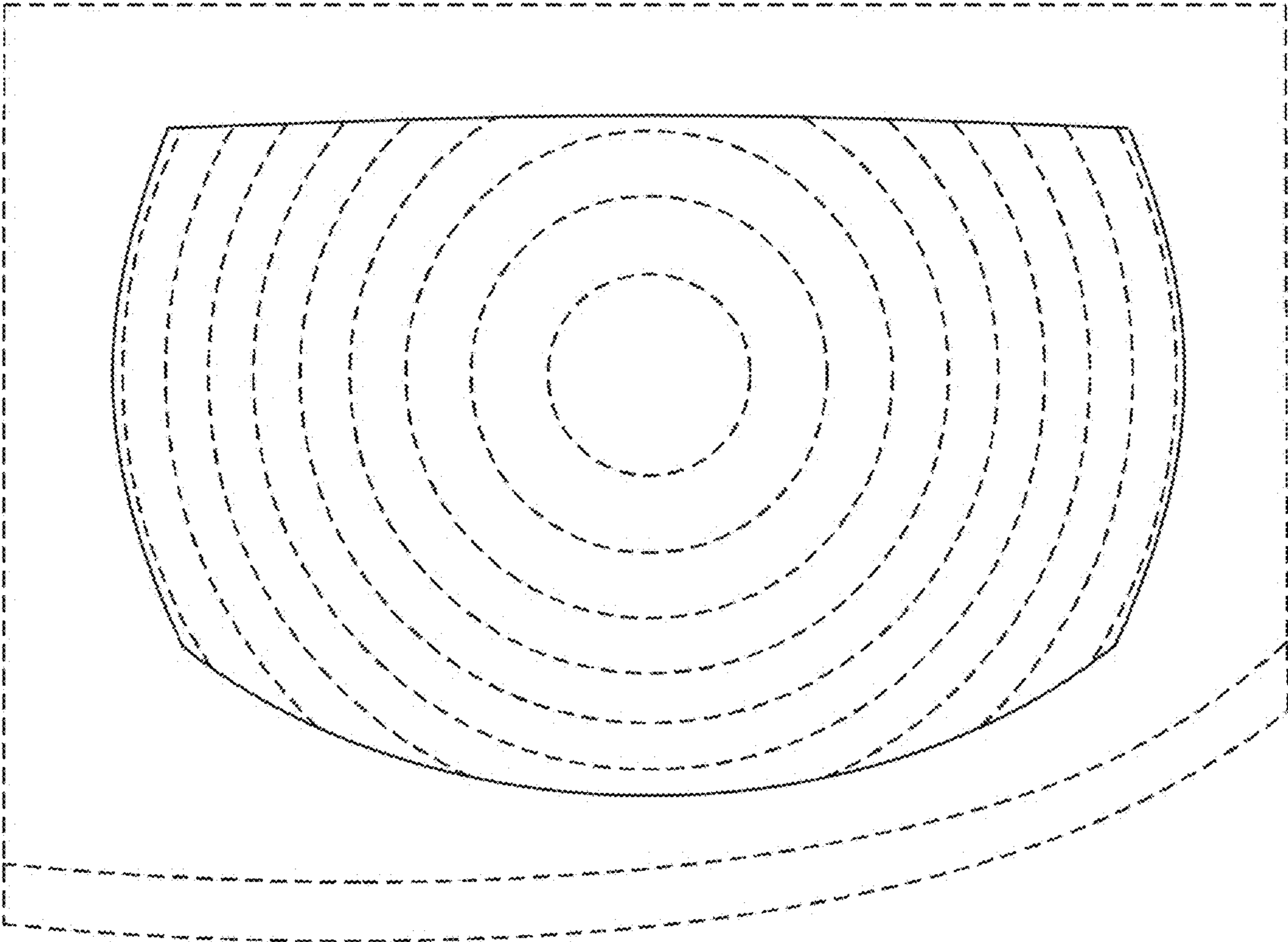
1.4



1.5

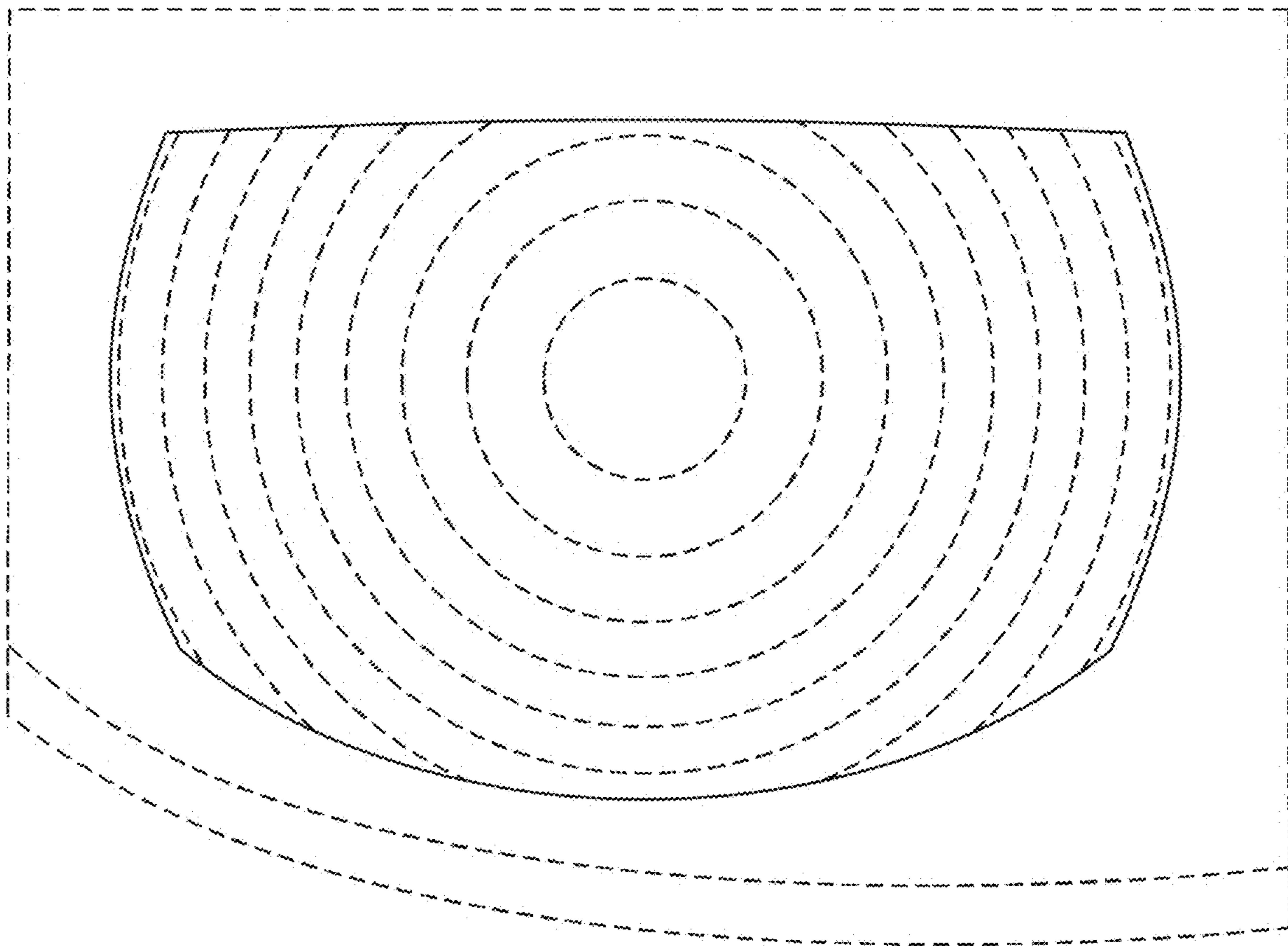


1.6





1.7



UNITED STATES PATENT AND TRADEMARK OFFICE  
**CERTIFICATE OF CORRECTION**

PATENT NO. : D983,865 S  
APPLICATION NO. : 35/512605  
DATED : April 18, 2023  
INVENTOR(S) : Yoshinobu Okada, Eiichiro Hikosaka and Akihiro Muramatsu

Page 1 of 1

It is certified that error appears in the above-identified patent and that said Letters Patent is hereby corrected as shown below:

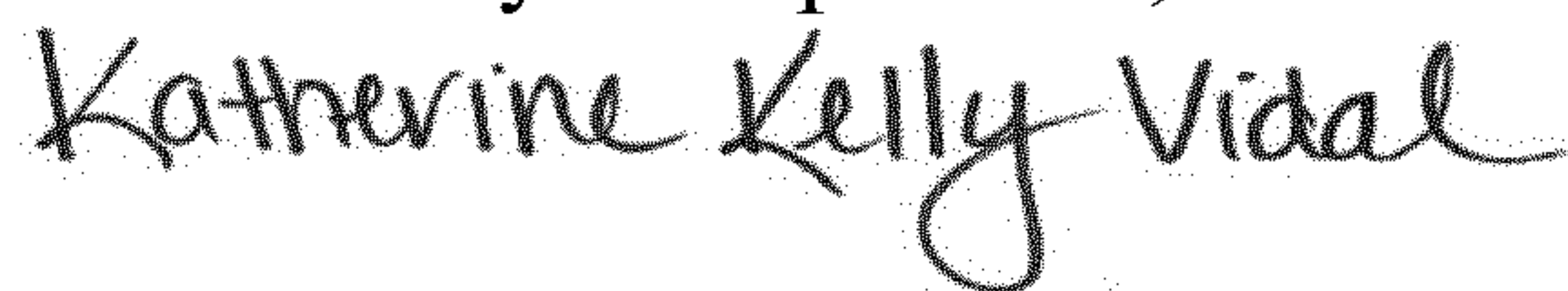
On the Title Page

Item (30), insert:

--(30) Foreign Application Priority Data

Sept. 29, 2020 (JP) .....2020-020731--.

Signed and Sealed this  
Third Day of September, 2024



Katherine Kelly Vidal  
*Director of the United States Patent and Trademark Office*