



US00D983864S

(12) **United States Design Patent**
Möller et al.

(10) **Patent No.:** **US D983,864 S**
(45) **Date of Patent:** **** Apr. 18, 2023**

(54) **CONTROL PANEL FOR HEADLIGHT**

(71) Applicant: **ARNOLD & RICHTER CINE
TECHNIK GMBH & CO.
BETRIEBS KG, Munich (DE)**

(72) Inventors: **Andreas Möller, Munich (DE);
Johannes Huttner, Munich (DE);
Michael Jonischkeit, Munich (DE)**

(73) Assignee: **ARNOLD & RICHTER CINE
TECHNIK GMBH & CO.
BETRIEBS KG, Munich (DE)**

(**) Term: **15 Years**

(21) Appl. No.: **29/727,385**

(22) Filed: **Mar. 10, 2020**

(30) **Foreign Application Priority Data**

Sep. 10, 2019 (EM) 006852950

(51) **LOC (14) Cl.** **16-06**

(52) **U.S. Cl.**
USPC **D16/245; D16/250**

(58) **Field of Classification Search**
USPC D6/308; D8/397-399; D13/162, 162.1,
D13/123, 168, 169, 170, 171, 177;
D16/209, 239, 244, 245; D24/209, 210;
D26/2, 3, 4, 24, 26, 36, 37, 39, 61, 63,
D26/72, 79, 93, 94, 113, 120, 121, 122,
D26/123, 124, 118, 130, 131, 132, 133,
D26/134, 137, 148, 149, 152, 155, 244
CPC F16M 11/06-10; F16M 11/14; F21Y
2103/002; F21Y 2101/02; F21Y 2103/00;
F21S 10/00; F21S 8/00; F21S 8/03; F21S
8/026; F21S 8/02; F21S 8/003; F21S
8/043; F21S 8/06; F21S 8/04; F21V
21/30; F21V 14/02; F21V 21/00; F21V
7/005; F21V

(Continued)

(56) **References Cited**

U.S. PATENT DOCUMENTS

5,229,925 A * 7/1993 Spencer H05K 7/16
211/41.17
D513,737 S * 1/2006 Riley D13/162
(Continued)

FOREIGN PATENT DOCUMENTS

CN 306289712 * 1/2021
JP D1072354 * 6/2000
(Continued)

OTHER PUBLICATIONS

YouTube Search: "ARRI Lighting Keynote 2019", video date Sep.
10, 2019 [online], [site visited Dec. 15, 2021]: <URL:https://www.
youtube.com/watch?v=5LFavR-FQ8s> (Year: 2019).*

(Continued)

Primary Examiner — Bao-Yen T Nguyen

Assistant Examiner — Loryn K. Leblanc

(74) *Attorney, Agent, or Firm* — Maschoff Brennan

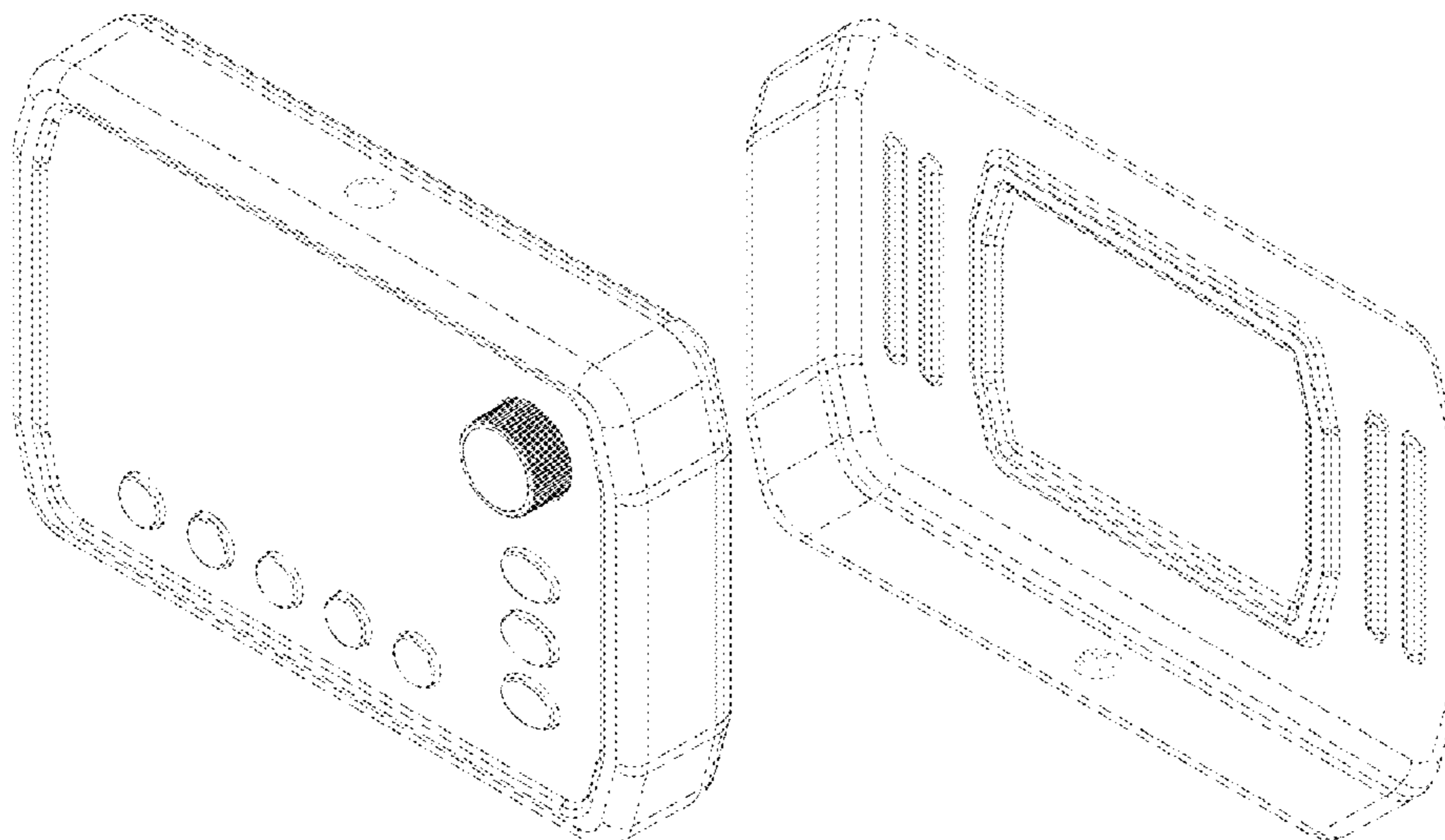
(57) **CLAIM**

We claim the ornamental design for a control panel for
headlight, as shown and described.

DESCRIPTION

FIG. 1 is an upper front left-side perspective view of a
control panel for headlight showing the new design;
FIG. 2 is a rear view thereof;
FIG. 3 is a left-side view thereof;
FIG. 4 is a bottom view thereof;
FIG. 5 is a front view thereof;
FIG. 6 is a right-side view thereof;
FIG. 7 is a top view thereof; and,
FIG. 8 is a lower back left-side perspective view thereof.
The broken lines illustrate portions of the control panel for
headlight that form no part of the claimed design.

1 Claim, 6 Drawing Sheets



(58) **Field of Classification Search**

CPC 15/01; F21V 15/04; F21V 25/00; G02B
 7/00-002; G02B 5/045; G02B 5/189;
 G03B 17/56; G02F 2001/133607; H04N
 5/2253-2254; A61N 5/0616; A61N
 5/0618; A61N 2005/065; A61N
 2005/0651; A61N 2005/0652; A61N
 2005/0653; A61N 2005/0654; A61N
 2005/0655; A61N 2005/0664; A61N
 2005/0665

See application file for complete search history.

(56) **References Cited**

U.S. PATENT DOCUMENTS

D541,184 S * 4/2007 Barton D10/50
 D541,798 S * 5/2007 Ichida D13/162.1
 D553,276 S * 10/2007 Campbell D26/37
 D578,026 S * 10/2008 Roher D10/50
 D603,350 S * 11/2009 Melzner D13/164
 D613,076 S * 4/2010 Chyan D6/308
 D659,867 S * 5/2012 Zhan D26/37
 D677,815 S * 3/2013 Zhan D26/37
 D699,279 S * 2/2014 Zhan D16/239
 D755,879 S * 5/2016 Zhan D16/239
 D781,250 S * 3/2017 Cartwright D13/168
 D797,580 S * 9/2017 Read D10/49
 D870,682 S * 12/2019 Lin D13/164
 D870,683 S * 12/2019 Lin D13/164

D876,496 S * 2/2020 Staton D15/89
 10,571,102 B1 * 2/2020 Bao F21V 23/002
 D883,368 S * 5/2020 Zhan D16/239
 2019/0092225 A1 * 3/2019 Schermerhorn B60Q 1/0088
 2021/0014426 A1 * 1/2021 Wang H04N 5/2256
 2021/0156528 A1 * 5/2021 Wenzel F21L 4/027

FOREIGN PATENT DOCUMENTS

JP D1278155 * 8/2006
 JP D1322175 * 2/2008
 JP D1353052 * 3/2009
 JP D1363849 * 6/2009
 JP D1417711 * 7/2011
 JP D1480024 * 9/2013
 JP D1493989 * 4/2014
 KR 300682883.0000 * 3/2013

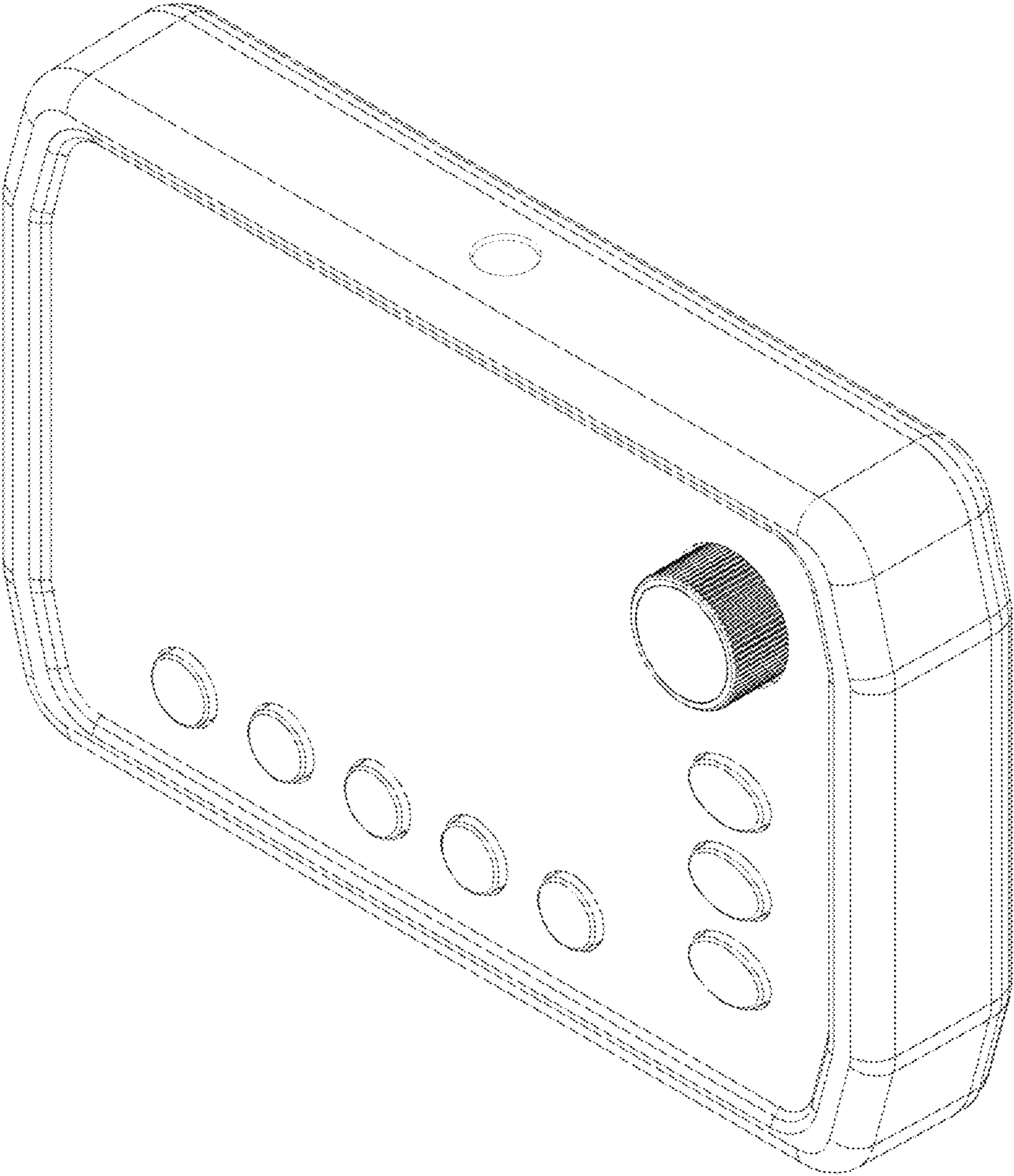
OTHER PUBLICATIONS

ARRI Control Panel for Orbiter, available Feb. 22, 2021 [online],
 [site visited Dec. 15, 2021]:<URL: https://www.amazon.com/gp/product/B08X6N9RL5/ref=ox_sc_act_title_1?smid=A17MC6HOH9AVE6&psc=1> (Year: 2021).*

“GVM-896S”, pictured review Dec. 27, 2018 [online], [site visited
 Dec. 15, 2021]:<URL: https://www.amazon.com/gp/product/B07J1GLLB2/ref=ox_sc_act_title_1?smid=A27VCJFW7SZCGJ&psc=1> (Year: 2018).*

* cited by examiner

FIG. 1



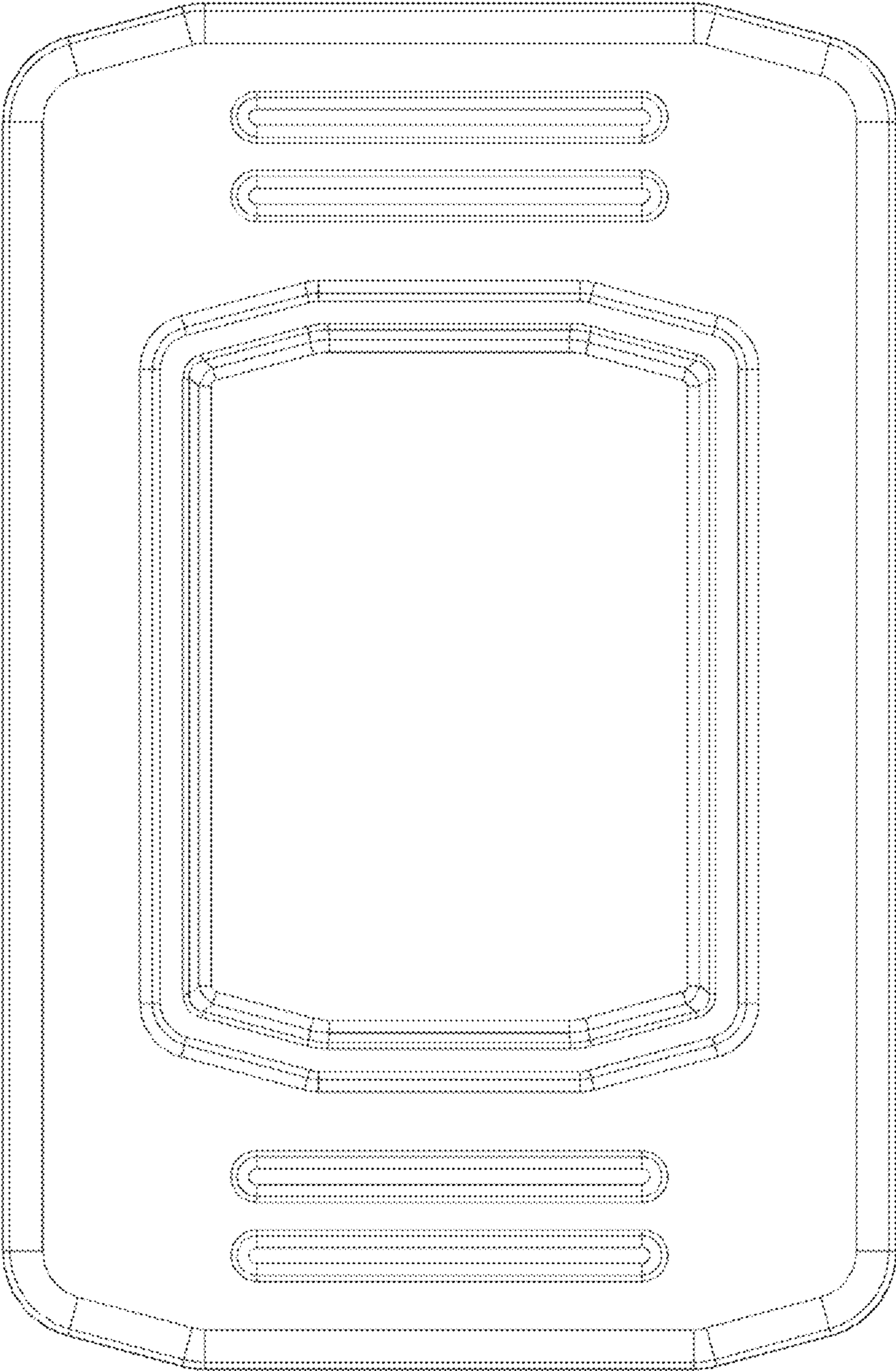


FIG. 2

FIG. 3

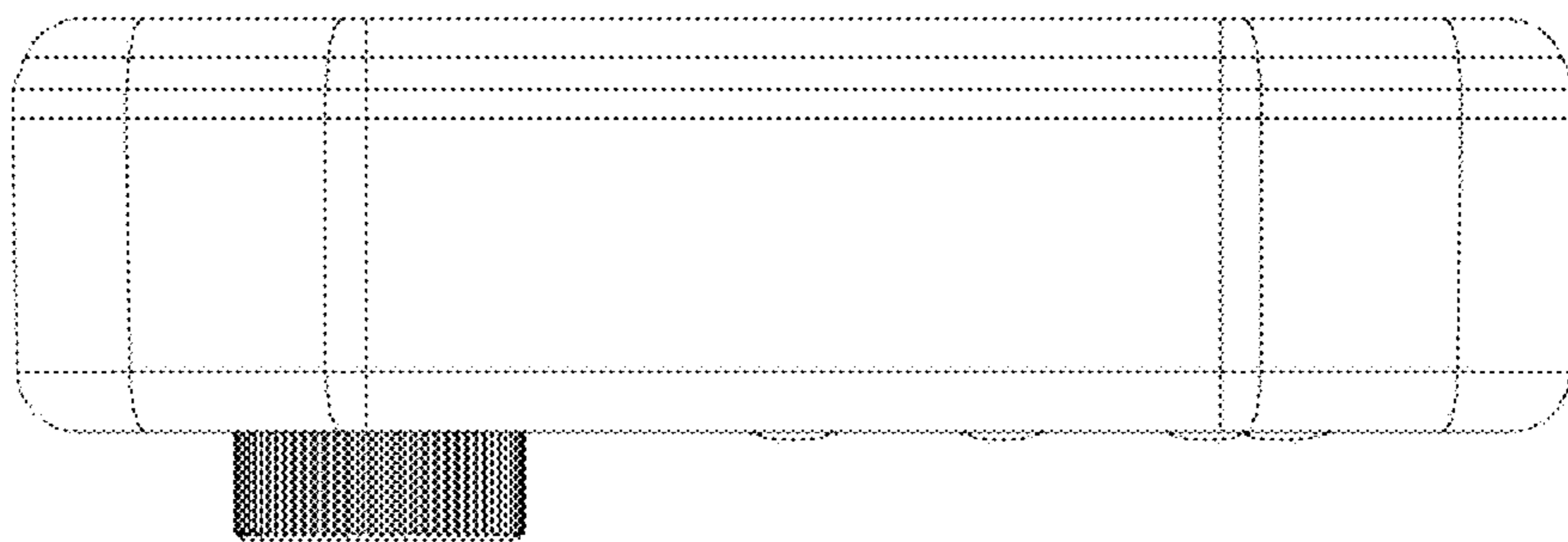
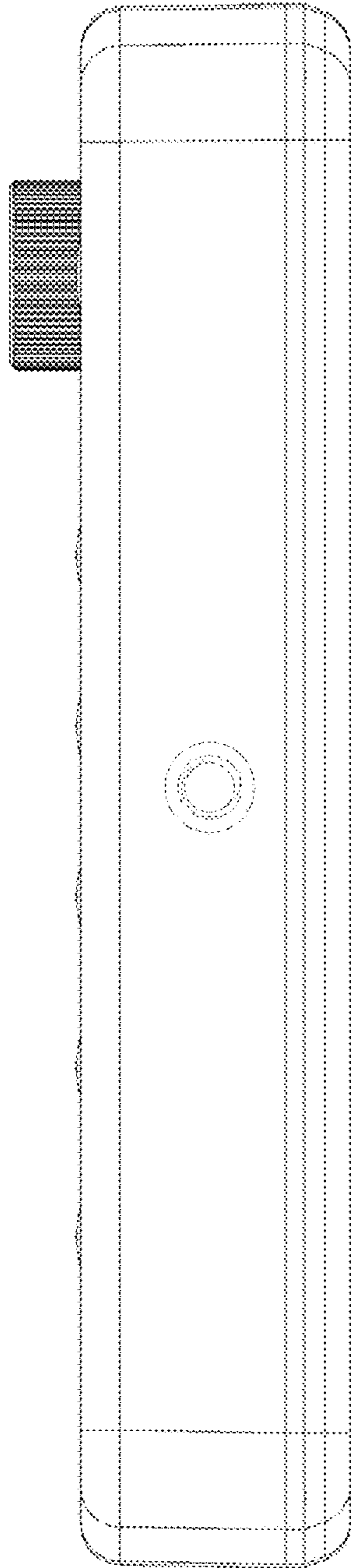


FIG. 4



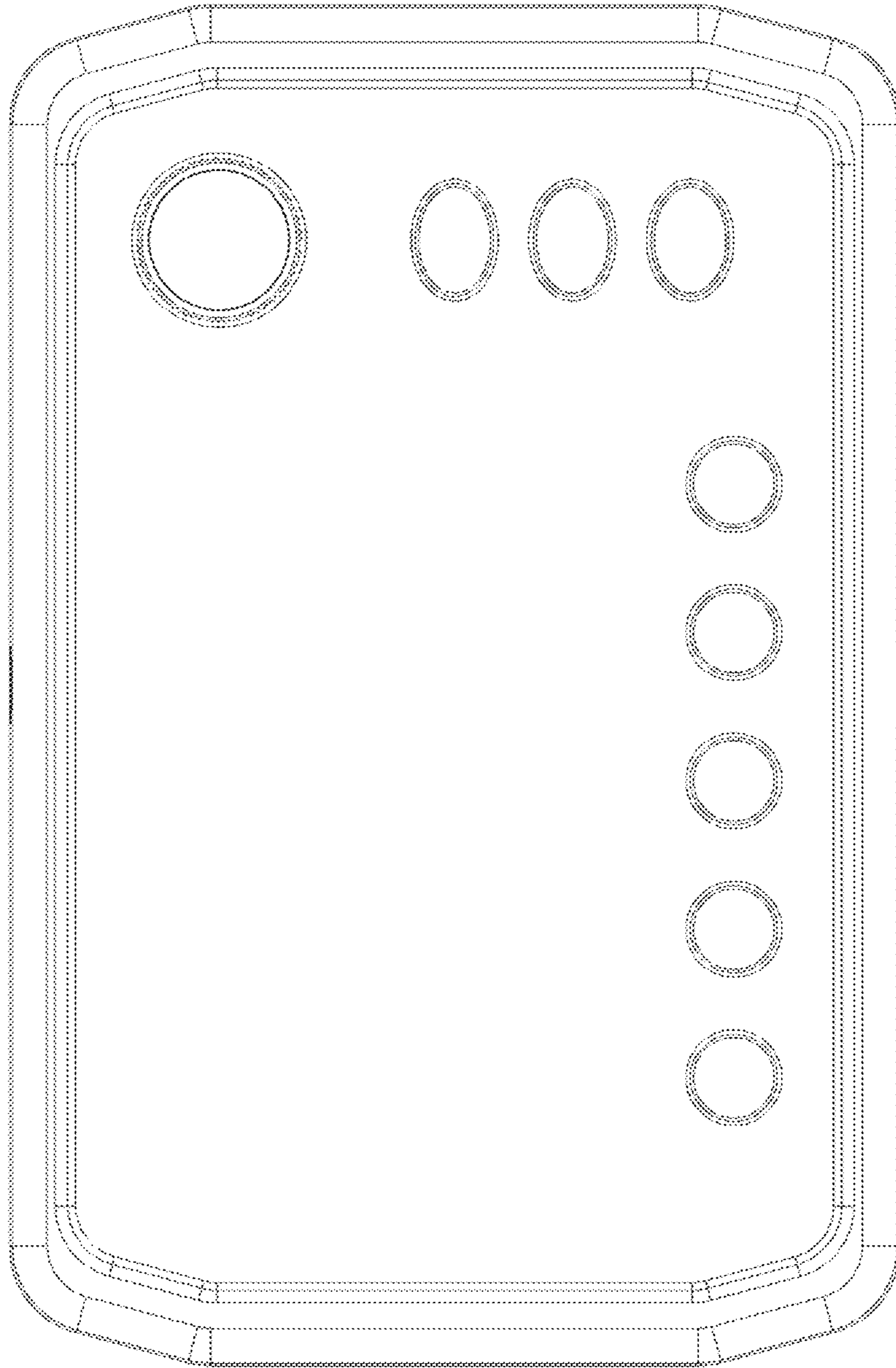


FIG. 5

FIG. 6

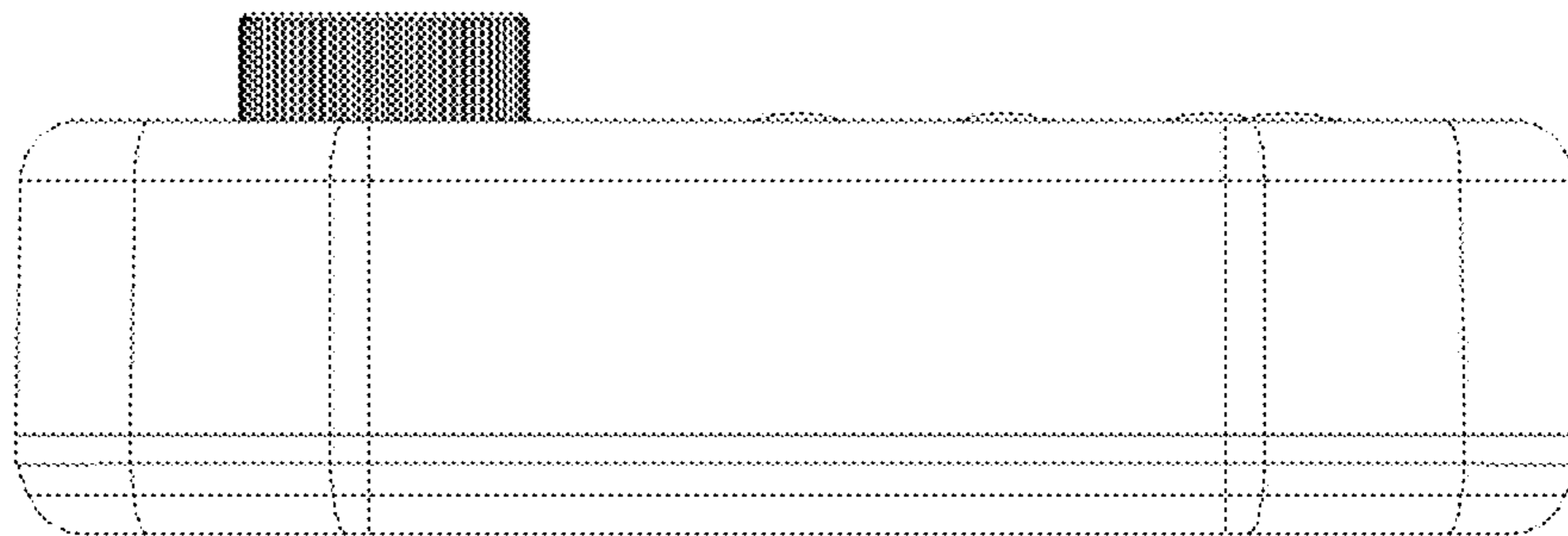


FIG. 7

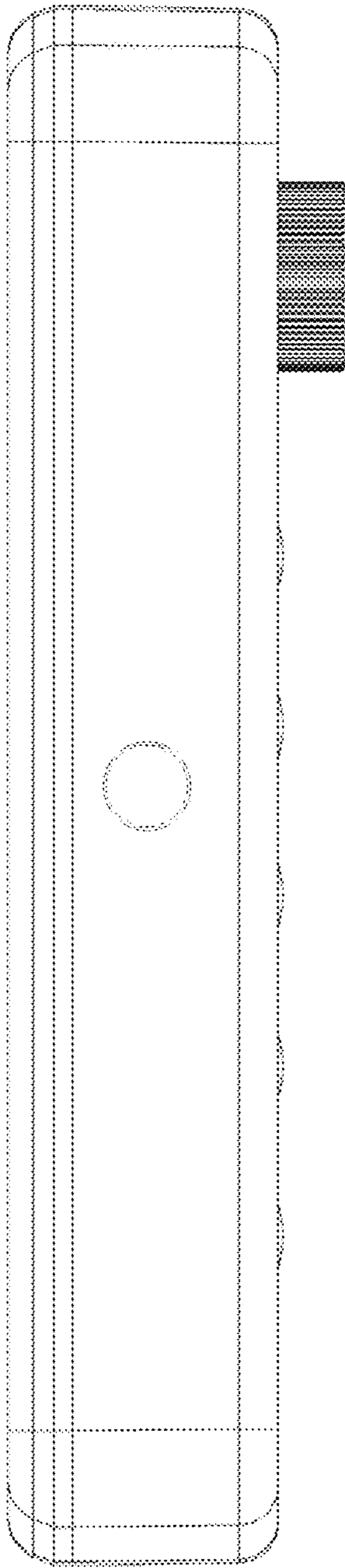


FIG. 8

