



US00D983863S

(12) **United States Design Patent** (10) **Patent No.:** **US D983,863 S**
Seung et al. (45) **Date of Patent:** **** Apr. 18, 2023**

(54) **FIXING PART FOR DRONE**

(56) **References Cited**

(71) Applicant: **DOOSAN MOBILITY INNOVATION INC.**, Yongin-si (KR)

U.S. PATENT DOCUMENTS

(72) Inventors: **Myeong Hun Seung**, Incheon (KR);
Gyu Jung Shim, Anyang-si (KR)

D218,196	S	*	7/1970	Merino et al.	D16/132
D245,988	S	*	10/1977	Miller	D16/245
D323,339	S	*	1/1992	Ishikawa	D16/245
D564,567	S	*	3/2008	Dordick	D16/245
D603,442	S	*	11/2009	Dordick	D16/245
D754,242	S	*	4/2016	Wang	D16/242
10,439,550	B1	*	10/2019	Goodman	G05D 1/0676
2019/0092468	A1	*	3/2019	Deutsch	B64C 13/042
2022/0244145	A1	*	8/2022	Marion	G01N 1/12
2023/0008140	A1	*	1/2023	Raji	B64D 1/04

(**) Term: **15 Years**

(21) Appl. No.: **29/761,113**

(22) Filed: **Dec. 7, 2020**

* cited by examiner

Related U.S. Application Data

(62) Division of application No. 35/507,964, filed on Feb. 27, 2019 (U.S. filing date under 35 U.S.C. 384), and having an international filing date of Feb. 27, 2019, now Pat. No. Des. 934,957.

Primary Examiner — Darlington Ly

(74) *Attorney, Agent, or Firm* — Harvest IP Law LLP

(30) **Foreign Application Priority Data**

Aug. 31, 2018	(KR)	30-2018-0040720
Aug. 31, 2018	(KR)	30-2018-0040721
Aug. 31, 2018	(KR)	30-2018-0040725
Aug. 31, 2018	(KR)	30-2018-0040726
Aug. 31, 2018	(KR)	30-2018-0040727
Sep. 4, 2018	(KR)	30-2018-0041212

(57) **CLAIM**

The ornamental design for a fixing part for drone, as shown and described.

(51) **LOC (14) Cl.** **16-05**

(52) **U.S. Cl.**
USPC **D16/242**

DESCRIPTION

(58) **Field of Classification Search**
USPC D16/205, 211, 214, 218–220, 237–250,
D16/302, 303; D12/16.1
CPC G03B 15/041–0436; G03B 17/561–568;
G03B 21/20–2066; F16M 11/10; F16M
11/14; F16M 11/26; F16M 11/28; F16M
11/38; F16M 13/00; F16M 13/04
See application file for complete search history.

FIG. 1 is a top, front, and right side perspective view of a fixing part for drone embodying our new design;
FIG. 2 is a front elevation view thereof;
FIG. 3 is a rear elevation view thereof;
FIG. 4 is a left side elevation view thereof;
FIG. 5 is a right side elevation view thereof;
FIG. 6 is a top plan view thereof;
FIG. 7 is a bottom plan view thereof; and,
FIG. 8 is a bottom, rear, and left side perspective view thereof.

1 Claim, 8 Drawing Sheets

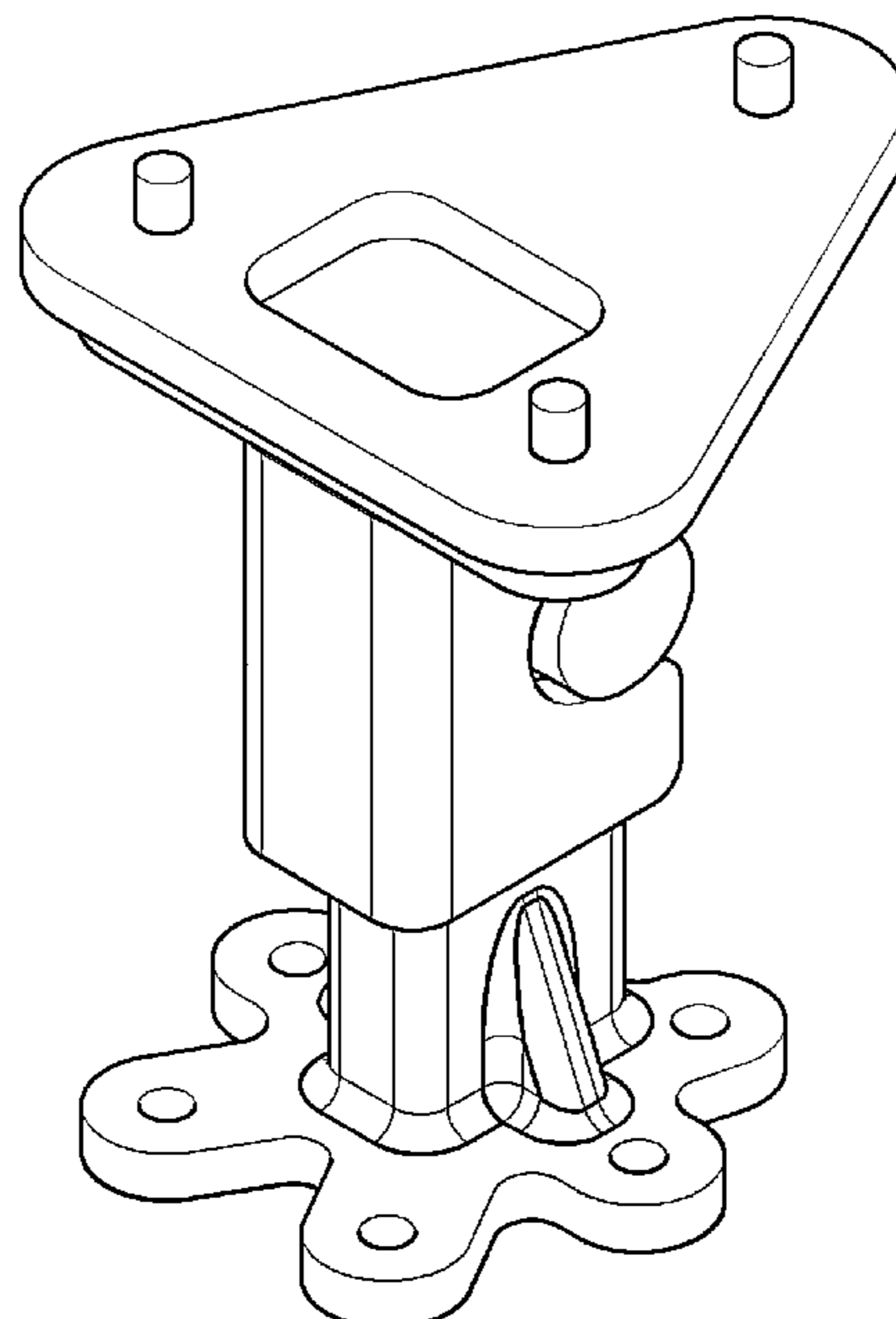


FIG. 1

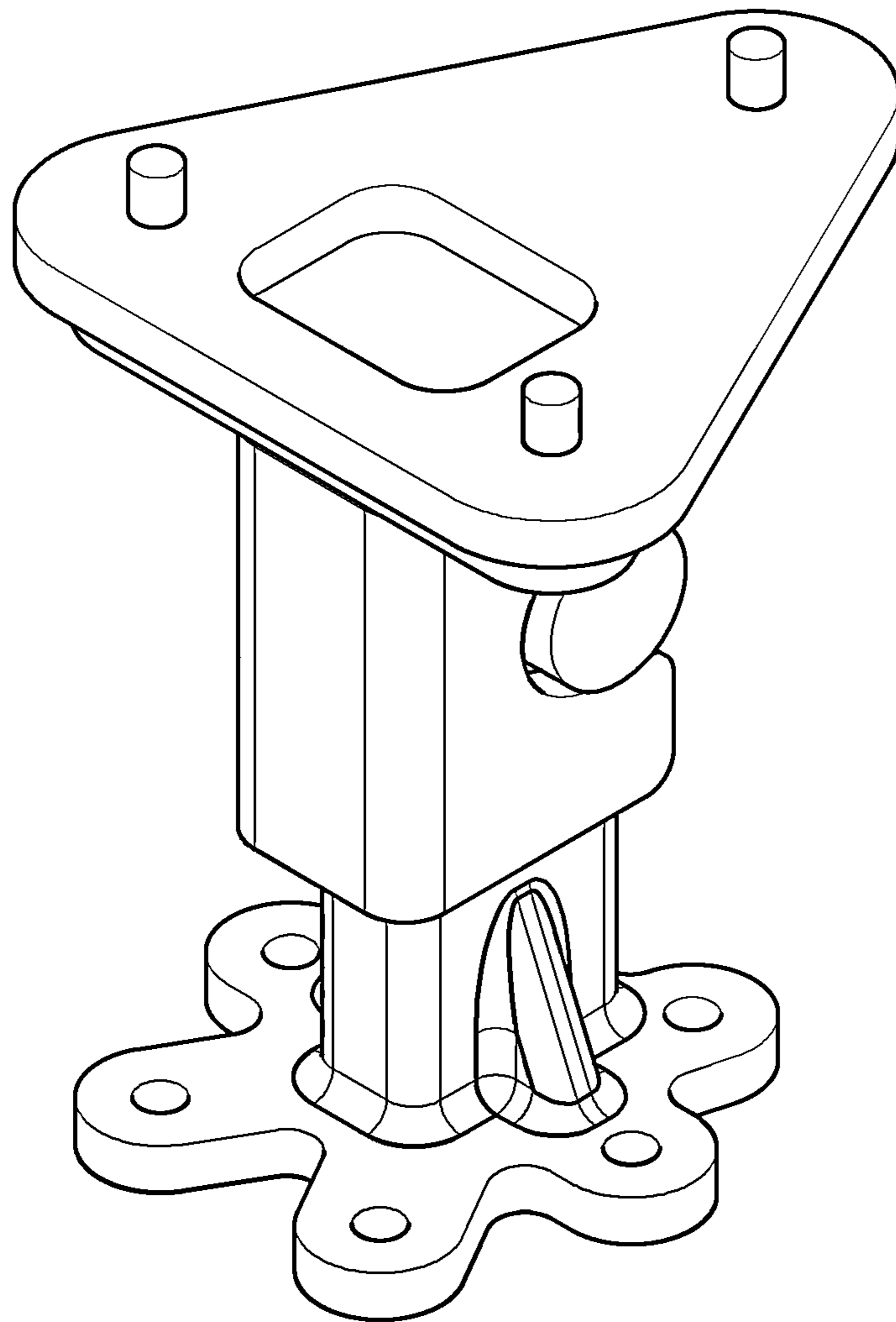


FIG. 2

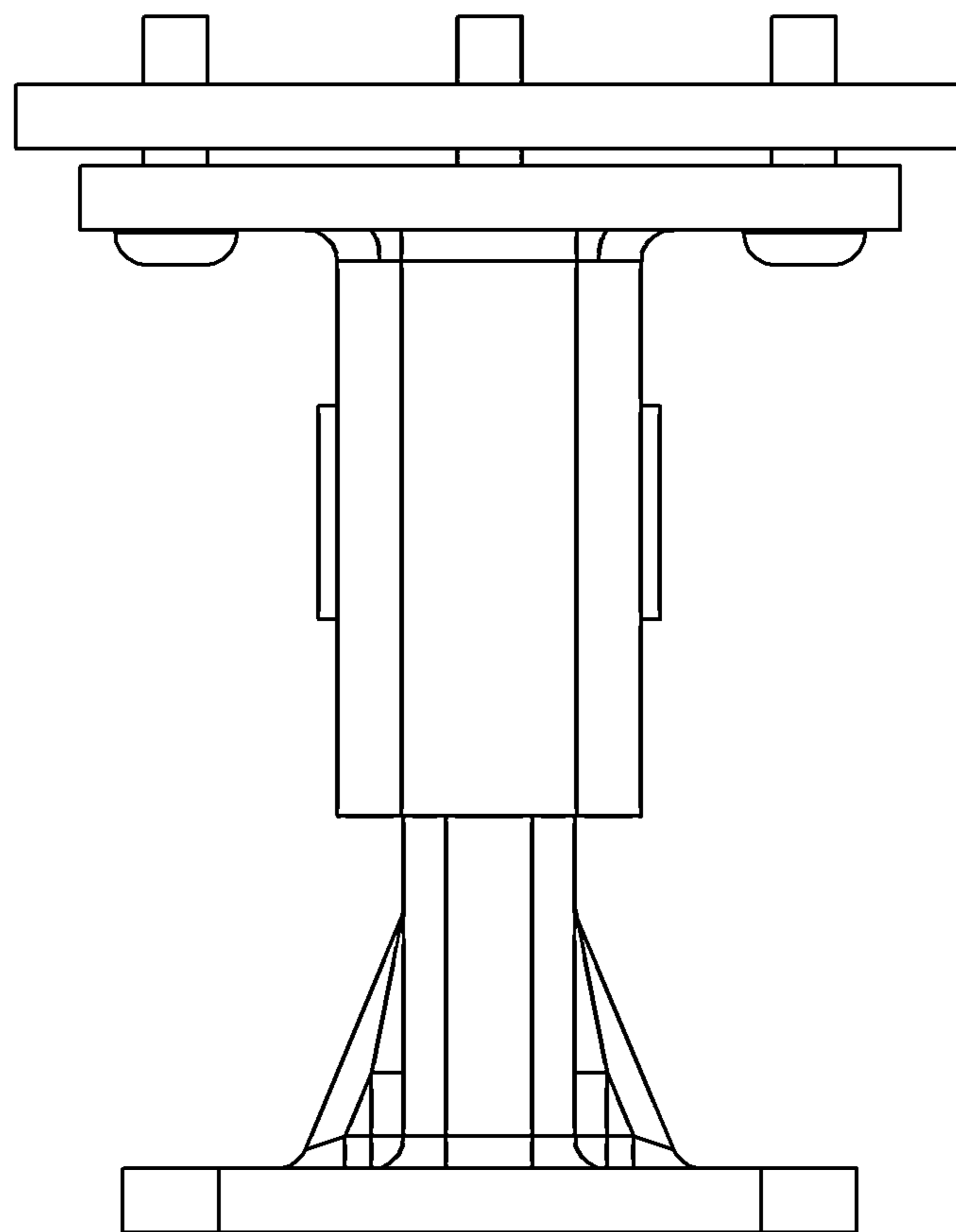


FIG. 3

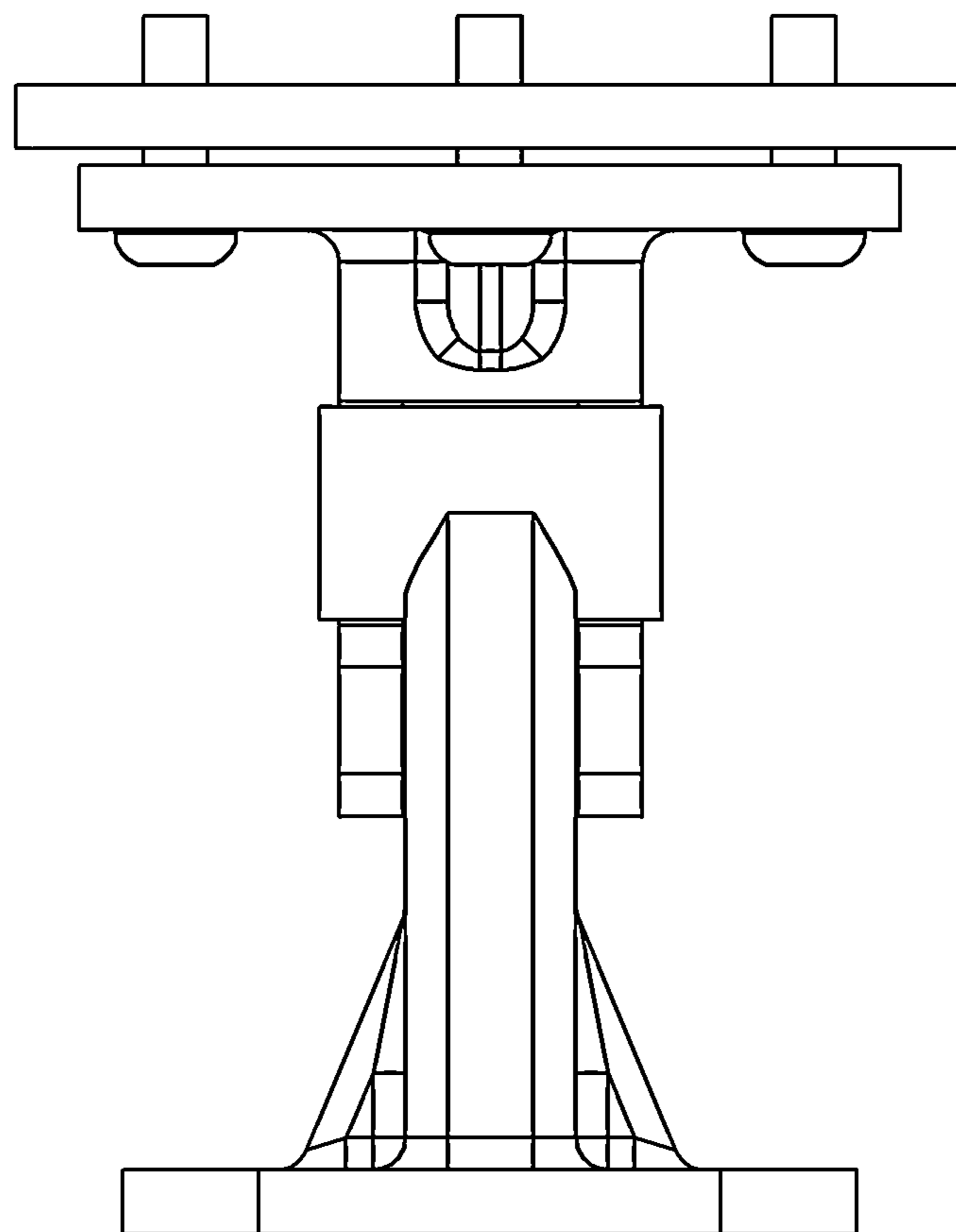


FIG. 4

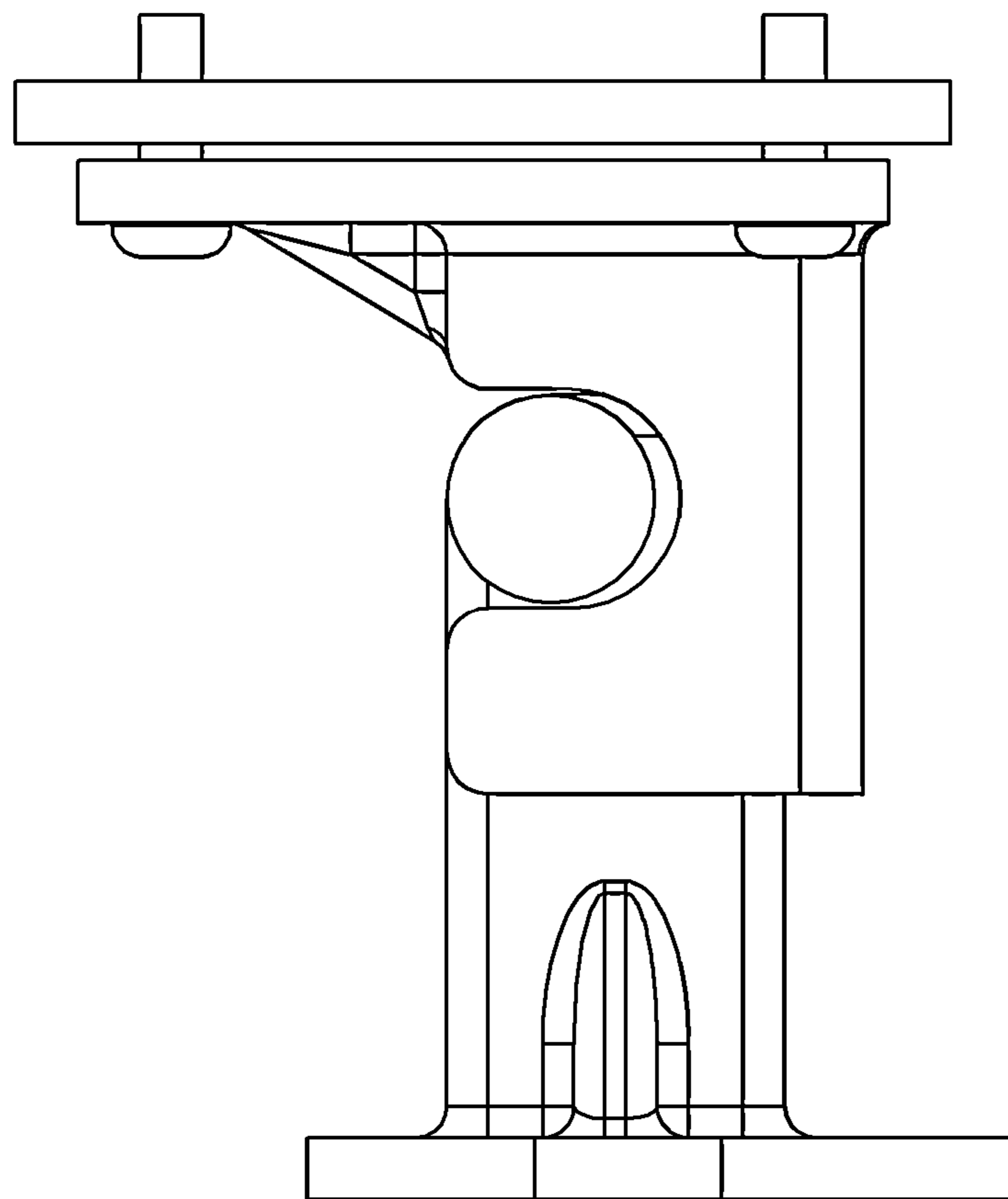


FIG. 5

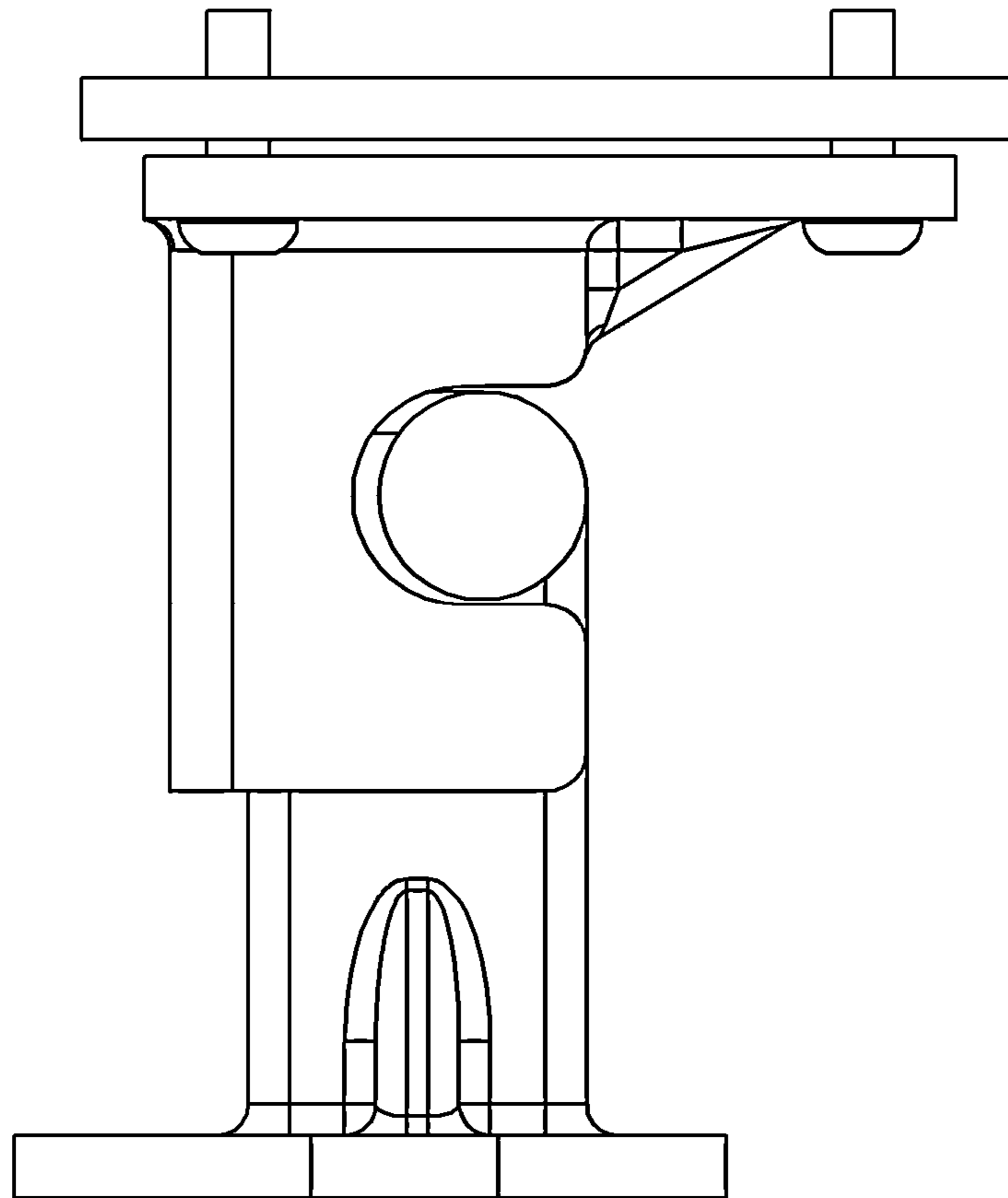


FIG. 6

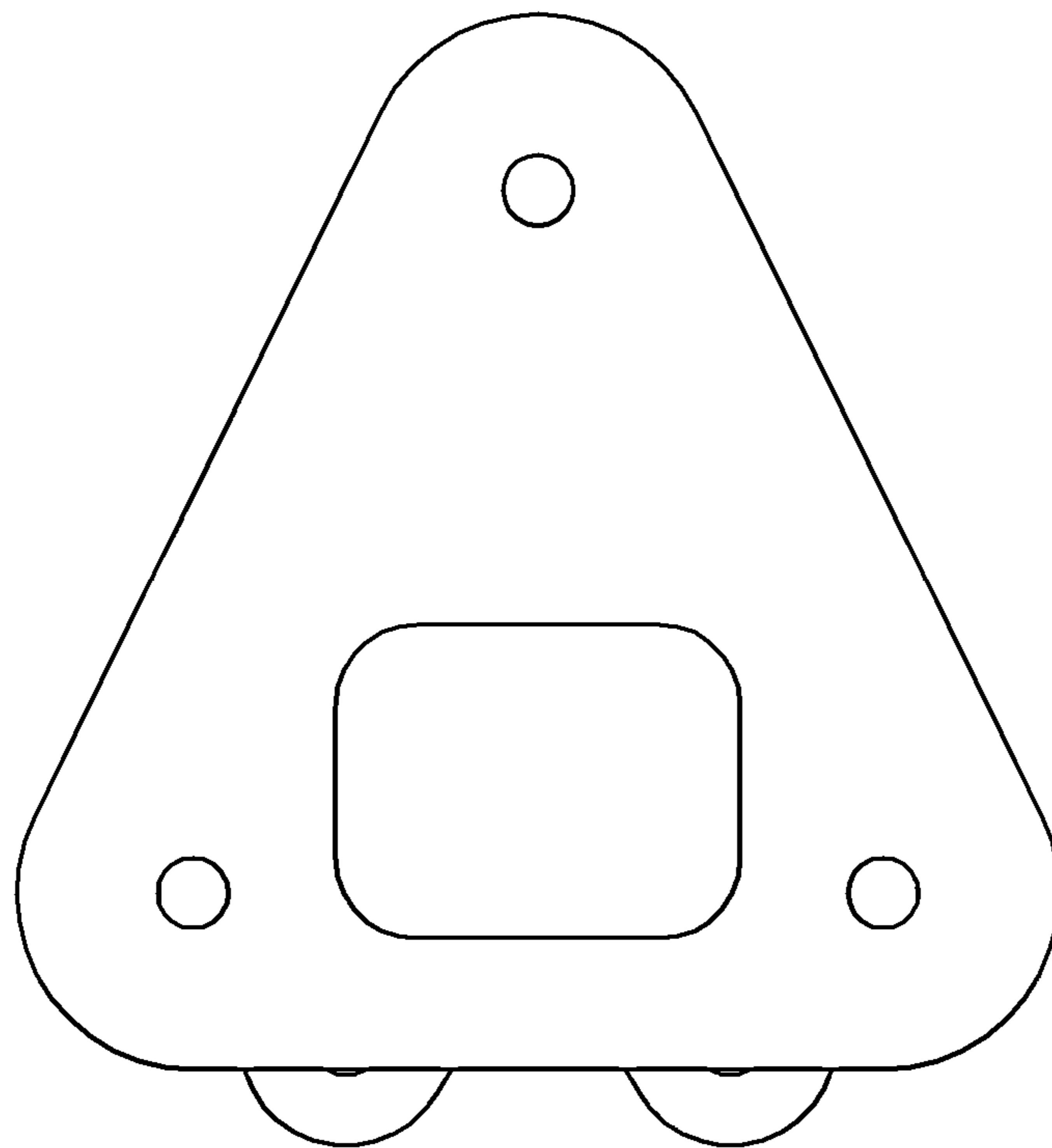


FIG. 7

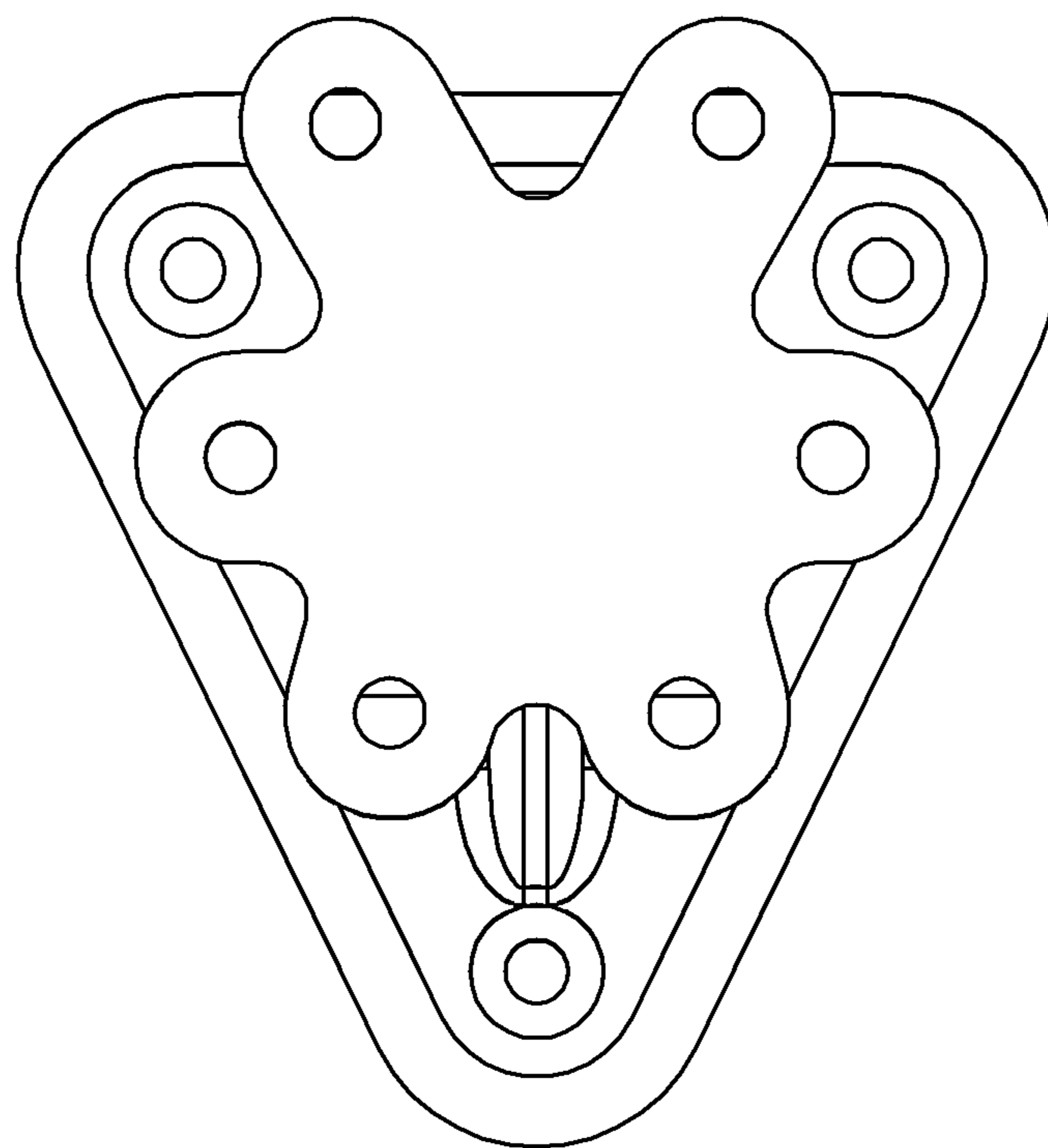


FIG. 8

