



US00D983862S

(12) **United States Design Patent**  
**Wang et al.**

(10) **Patent No.:** **US D983,862 S**  
(45) **Date of Patent:** **\*\* Apr. 18, 2023**

(54) **LED VIDEO LIGHT**

(71) Applicant: **Shenzhen Xingyingda Industry Co., Ltd., Shenzhen (CN)**

(72) Inventors: **Jun Wang, Shenzhen (CN); Yan Ke, Shenzhen (CN)**

(73) Assignee: **Shenzhen Xingyingda Industry Co., Ltd., Shenzhen (CN)**

(\*\*) Term: **15 Years**

(21) Appl. No.: **29/845,850**

(22) Filed: **Jul. 11, 2022**

(51) **LOC (14) Cl.** ..... **16-05**

(52) **U.S. Cl.**  
USPC ..... **D16/239**

(58) **Field of Classification Search**  
USPC .... D26/37, 38, 39, 61, 63, 67; D2/865, 866, D2/869, 871, 874, 875, 877, 881, 883, D2/884, 891, 894; D16/208–209, 219, D16/237–250  
CPC .. A42B 1/00; A42B 1/006; A42B 1/04; A42B 1/041; A42B 1/045; A42B 1/08; A42B 1/22; A42B 1/241; A42B 1/245; A42B 3/00

See application file for complete search history.

(56) **References Cited**

**U.S. PATENT DOCUMENTS**

D577,052 S *	9/2008	Orion	.....	D16/239
D614,224 S *	4/2010	Orion	.....	D16/239
D645,184 S	9/2011	Zhan	.....	
D645,594 S *	9/2011	Grawe	.....	D26/63
D659,867 S	5/2012	Zhan	.....	
D677,708 S	3/2013	Zhan	.....	
D677,815 S	3/2013	Zhan	.....	
D693,397 S	11/2013	Zhan	.....	
D699,279 S	2/2014	Zhan	.....	
D699,779 S *	2/2014	Zhan	.....	D16/239
D712,581 S *	9/2014	Scarlata	.....	D26/65

D713,983 S *	9/2014	Yang	.....	D26/63
D734,886 S *	7/2015	Lazalier	.....	D26/63
D735,922 S *	8/2015	Yamauchi	.....	D26/51
D740,985 S *	10/2015	Dooley	.....	D26/37
D755,879 S *	5/2016	Zhan	.....	D16/239

(Continued)

**OTHER PUBLICATIONS**

Amazon, Neewer RGB LED Video Light, Sep. 26, 2021, [https://www.amazon.com/dp/B09H5VTLY7?\\_encoding=UTF8&psc=1&ref\\_cm\\_sw\\_r\\_cp\\_ud\\_dp\\_96MA9A1RVWNH2PJ7GH2F](https://www.amazon.com/dp/B09H5VTLY7?_encoding=UTF8&psc=1&ref_cm_sw_r_cp_ud_dp_96MA9A1RVWNH2PJ7GH2F) (Year: 2021).\*

*Primary Examiner* — Keli L Hill

*Assistant Examiner* — Harold E Blackwell, II

(74) *Attorney, Agent, or Firm* — Westbridge IP LLC

(57) **CLAIM**

The ornamental design for an LED video light, as shown and described.

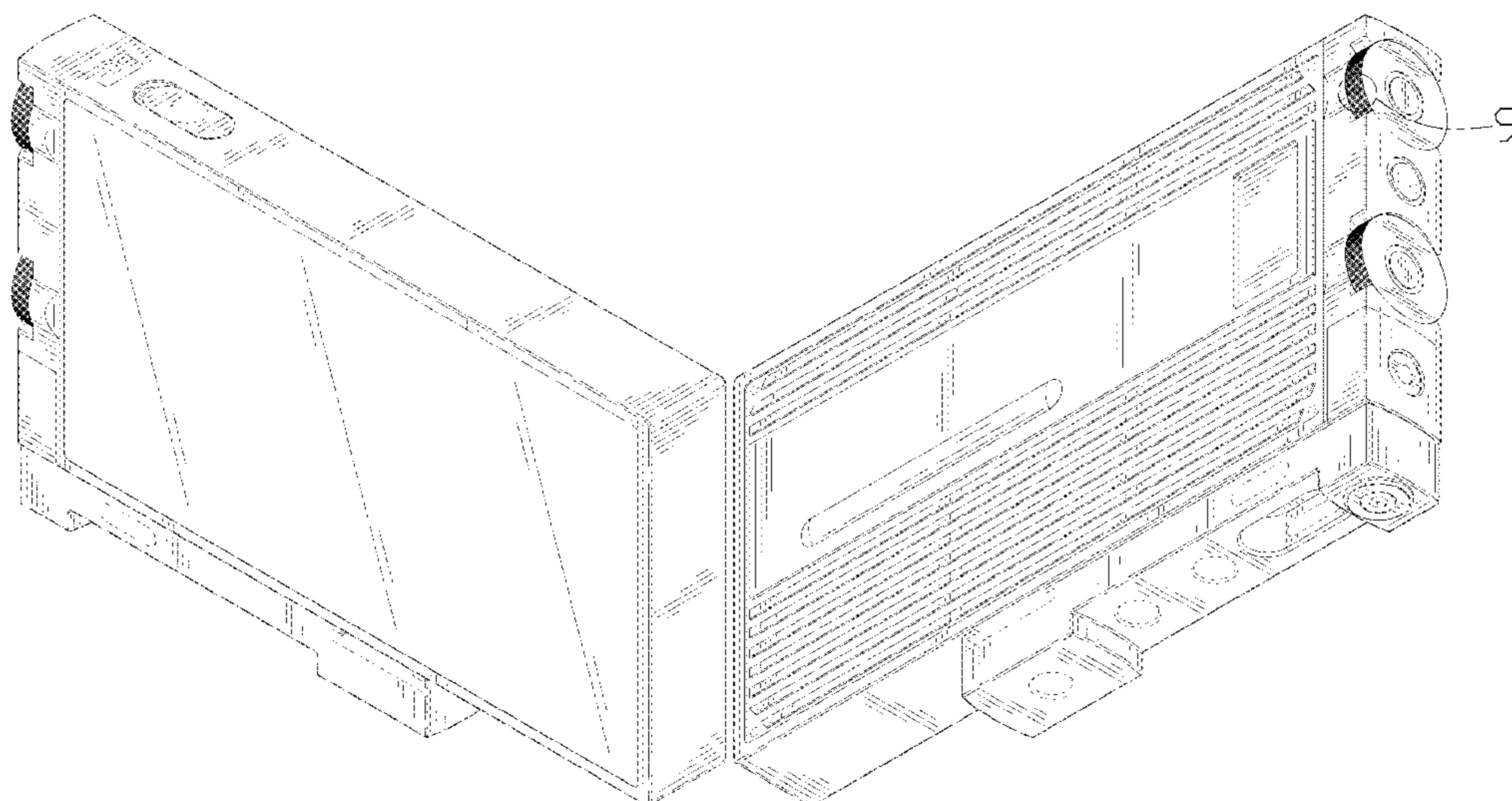
**DESCRIPTION**

FIG. 1 is a front perspective view of an LED video light showing our new design;  
FIG. 2 is a rear perspective view thereof;  
FIG. 3 is a front elevation view thereof;  
FIG. 4 is a rear elevation view thereof;  
FIG. 5 is a left side elevation view thereof;  
FIG. 6 is a right side elevation view thereof;  
FIG. 7 is a top plan view thereof;  
FIG. 8 is a bottom plan view thereof;  
FIG. 9 is a partial enlarged view taken from circle 9 in FIG. 2; and,  
FIG. 10 is a front perspective view thereof showing an usage state.

The dash-dash broken lines in the drawings depict the portions of the LED video light which form no part of the claimed design.

The dot-dash broken lines in the drawings are included for the purpose of depicting the partial enlarged views.

**1 Claim, 10 Drawing Sheets**



(56)

**References Cited**

U.S. PATENT DOCUMENTS

D767,806 S \* 9/2016 Colacilli ..... D26/63  
D814,678 S \* 4/2018 Zhan ..... D26/63  
D863,617 S \* 10/2019 Lindholm ..... D26/63  
D866,818 S \* 11/2019 Lindholm ..... D26/63  
D867,629 S \* 11/2019 Renvall ..... D26/63  
D872,920 S \* 1/2020 Korpi ..... D26/63  
D883,368 S \* 5/2020 Zhan ..... D16/239  
D884,245 S 5/2020 Ke  
D898,971 S \* 10/2020 Ko ..... D26/65  
D915,641 S 4/2021 Zhan  
D928,863 S \* 8/2021 Alberstein ..... D16/239  
D946,645 S \* 3/2022 Luo ..... D16/239  
D951,504 S 5/2022 Chen  
2021/0337088 A1 \* 10/2021 Zhan ..... H04N 5/2252

\* cited by examiner



FIG. 1

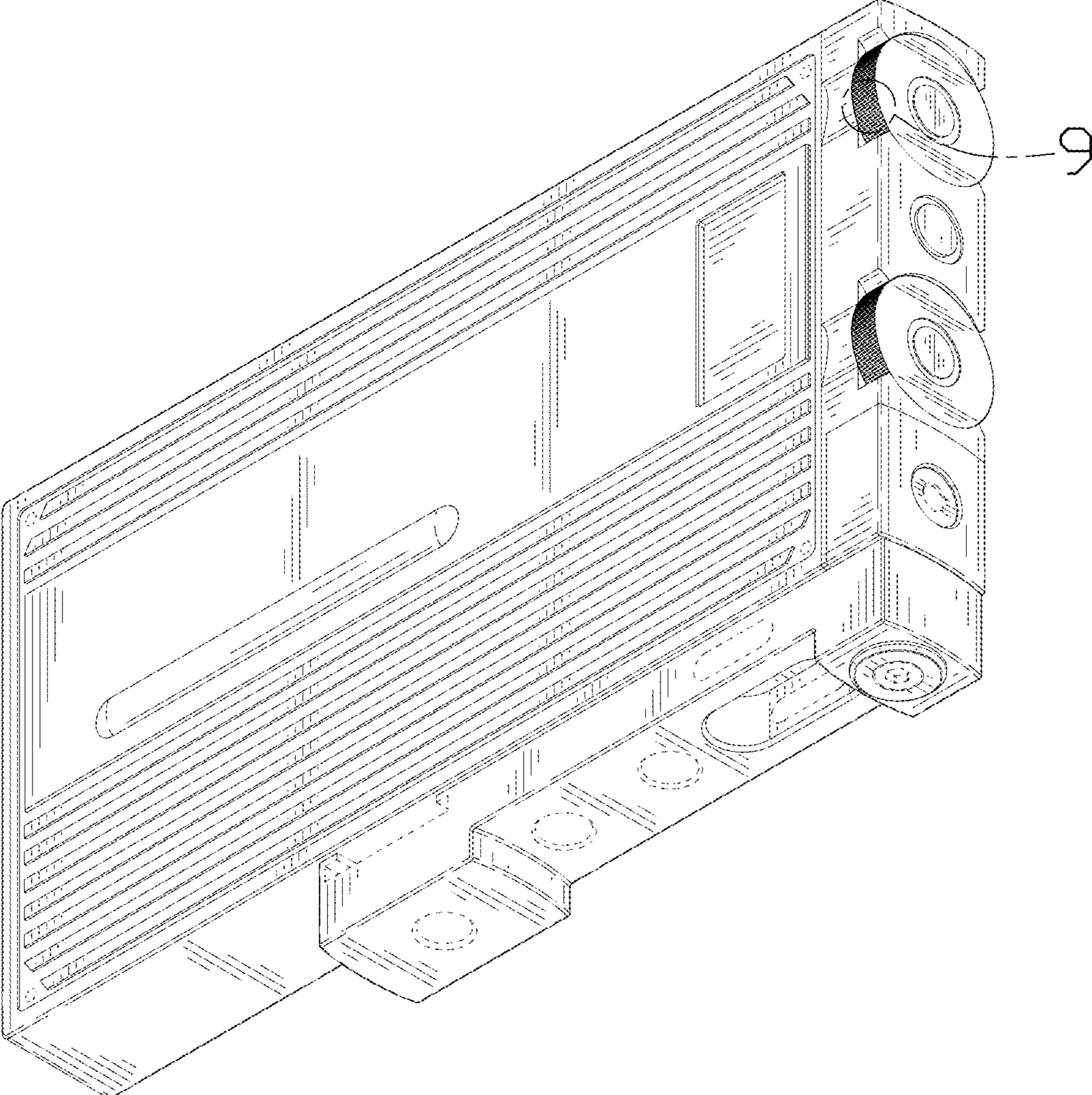


FIG. 2

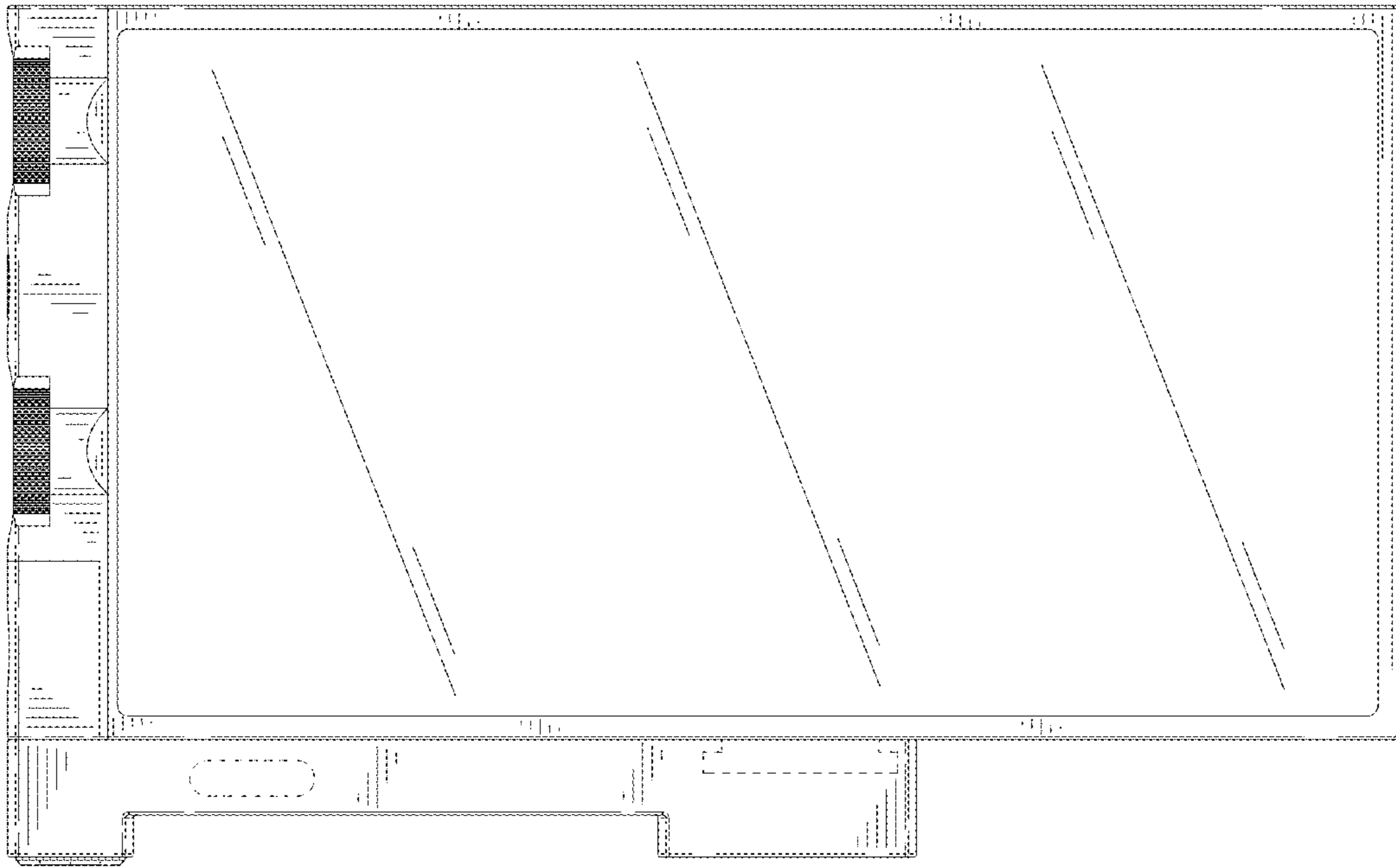


FIG. 3

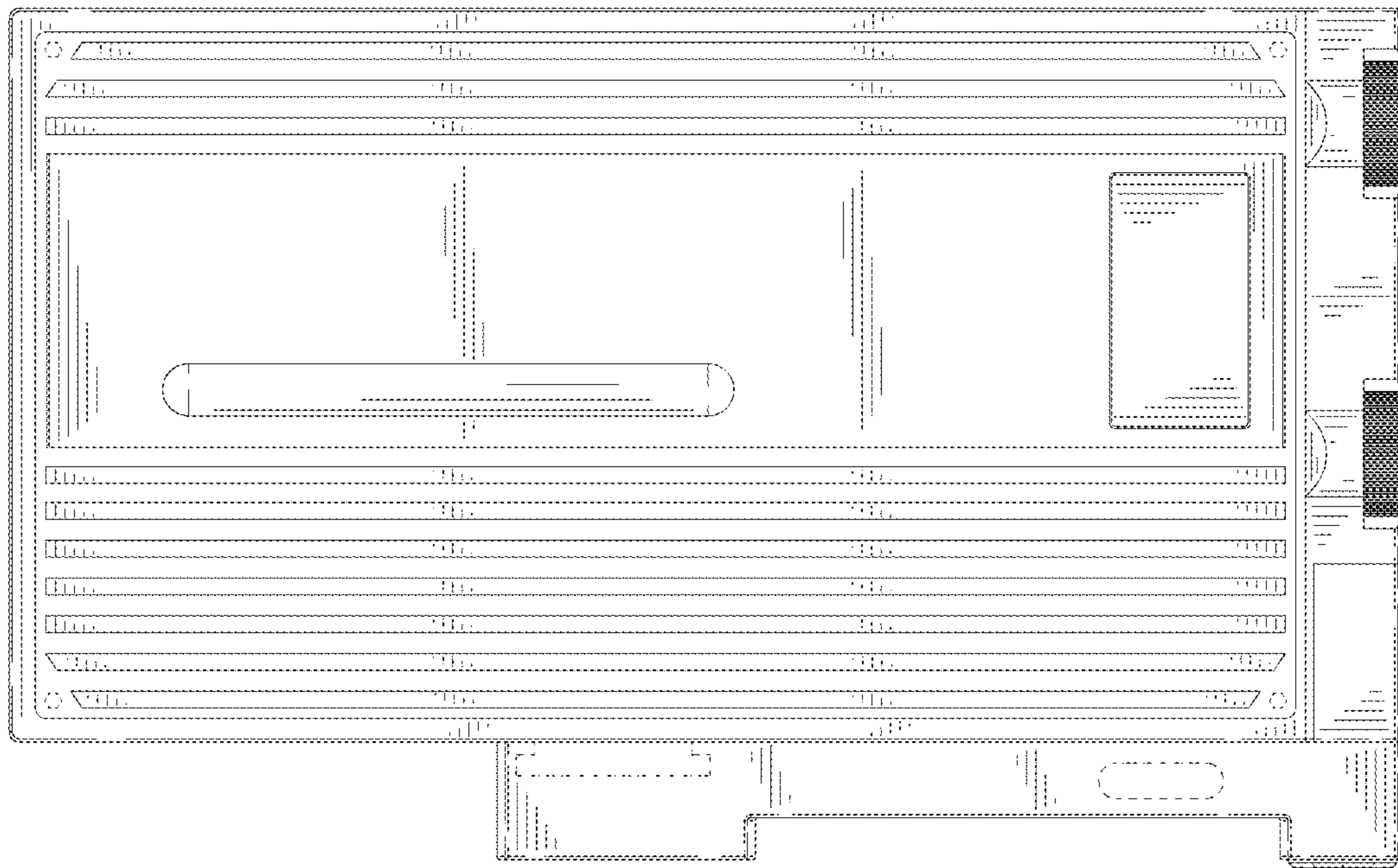


FIG. 4

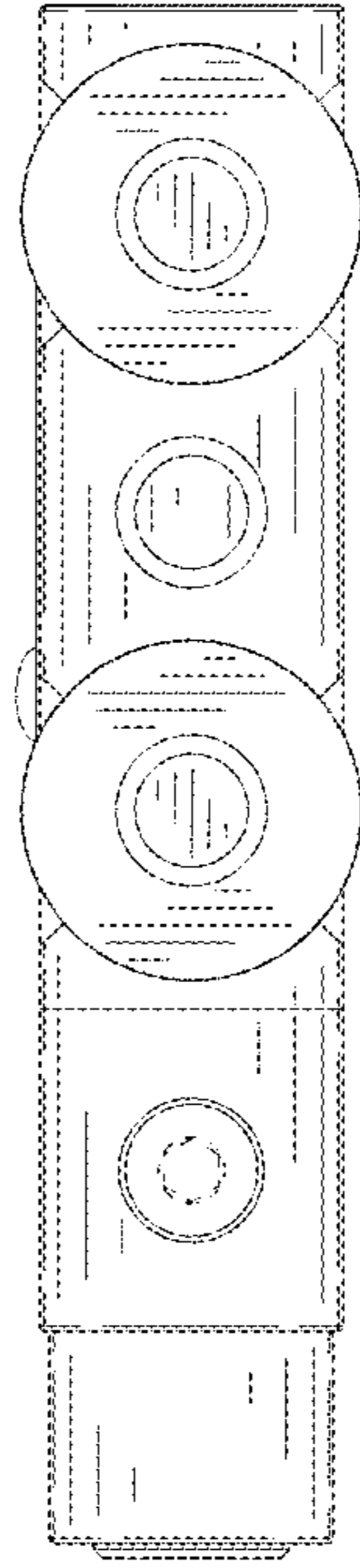


FIG. 5

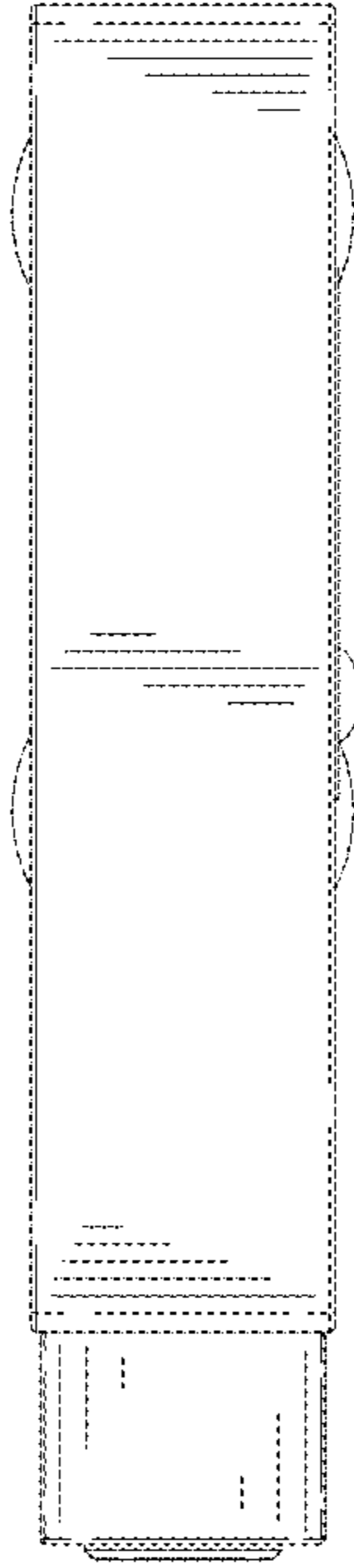


FIG. 6



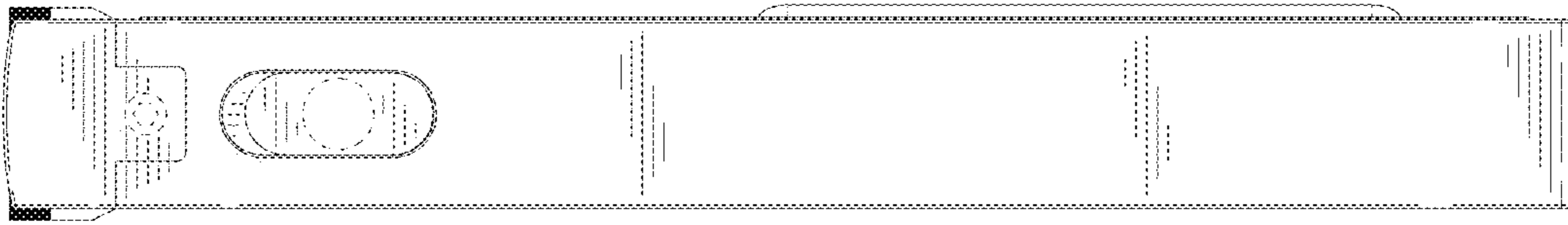


FIG. 7

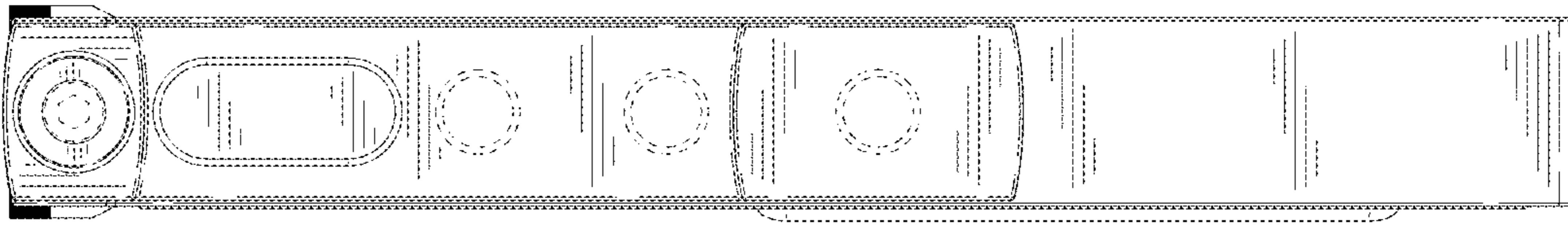


FIG. 8

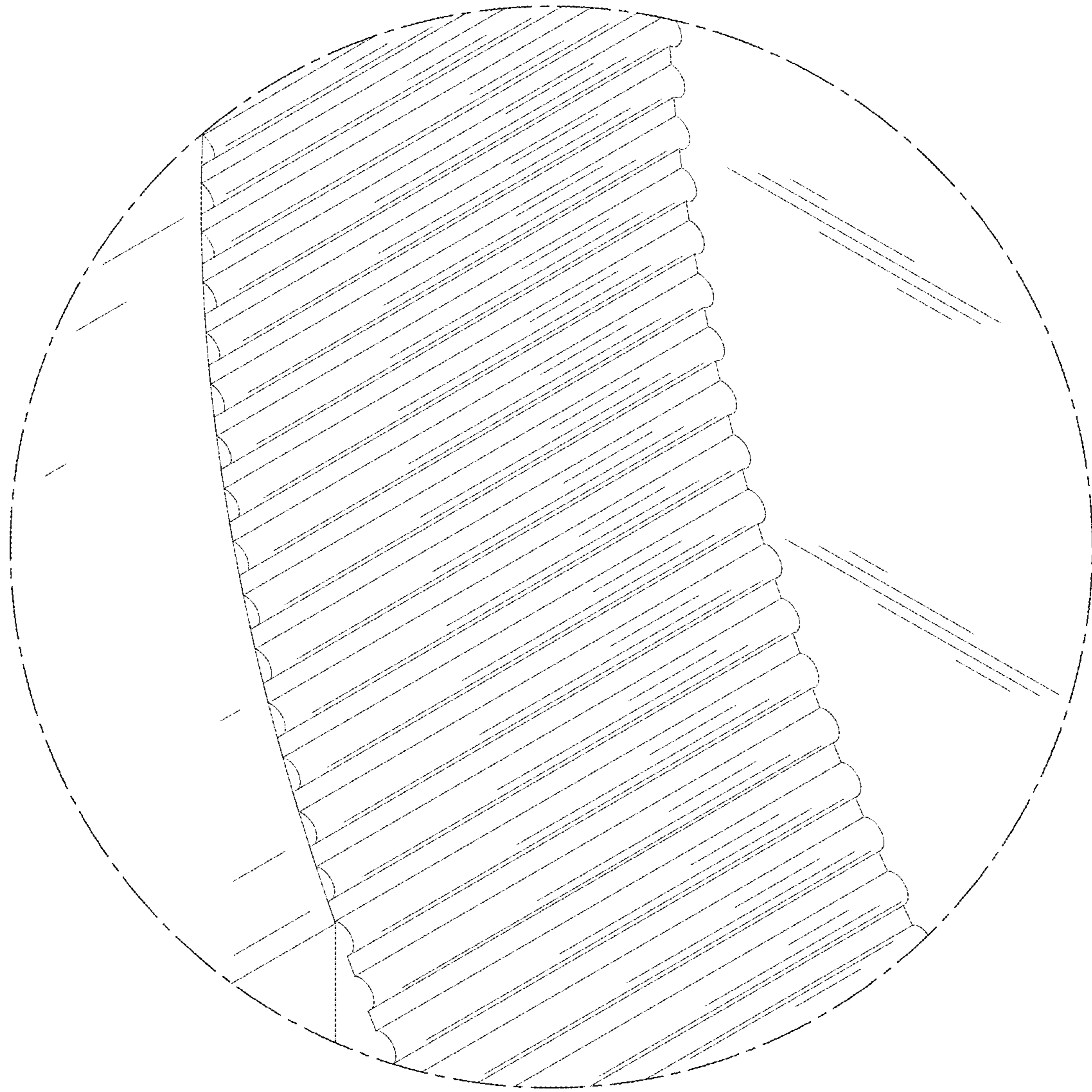


FIG. 9

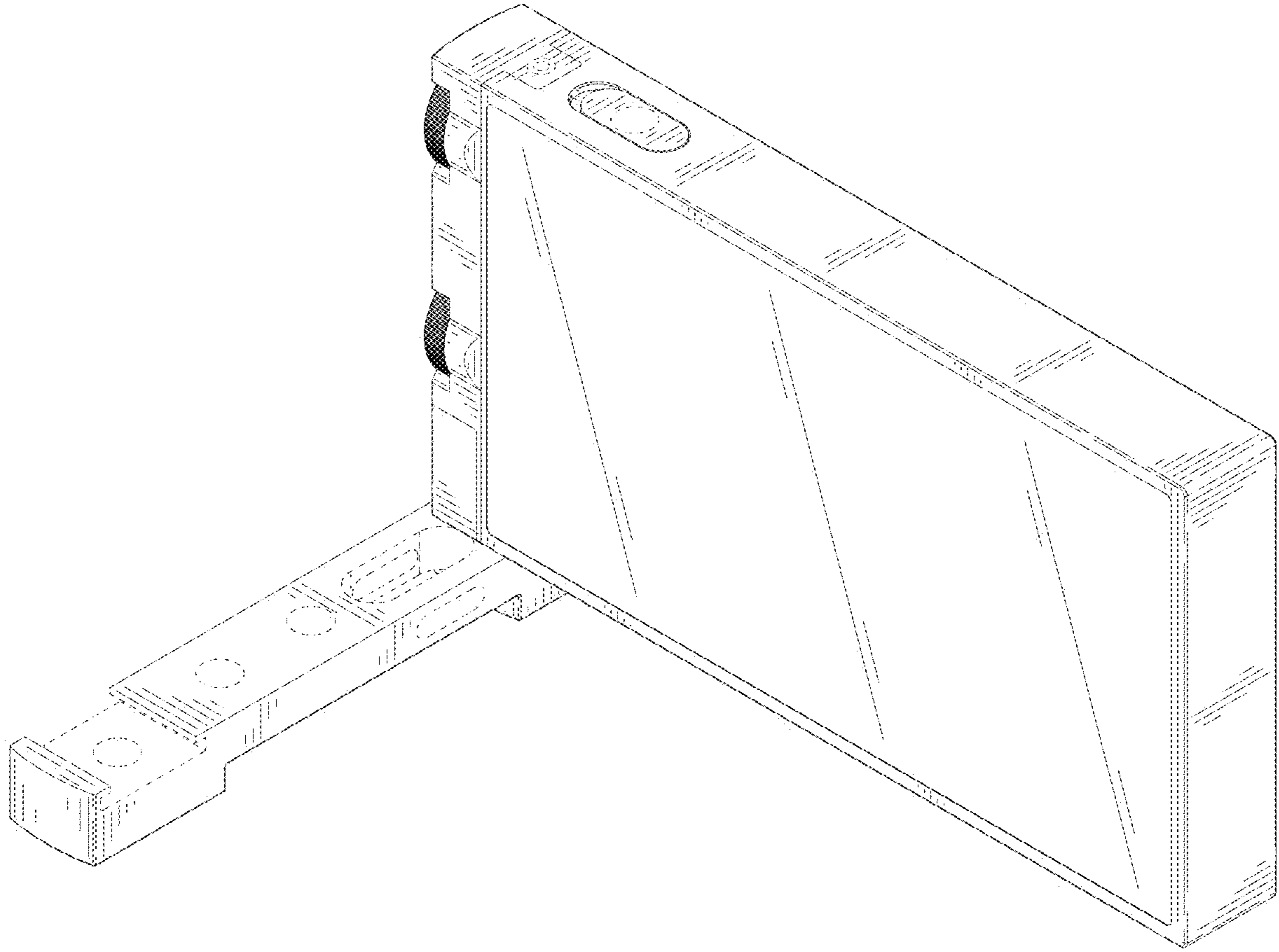


FIG. 10