



US00D983861S

(12) **United States Design Patent**
Han et al.

(10) **Patent No.:** **US D983,861 S**

(45) **Date of Patent:** **** Apr. 18, 2023**

(54) **CAMERA**

(71) Applicant: **DONGGUAN FUMAO INTELLIGENT TECHNOLOGY CO., LTD.**, Guangdong (CN)

(72) Inventors: **Bailin Han**, Guangdong (CN);
Yongchun Ren, Guangdong (CN)

(73) Assignee: **DONGGUAN FUMAO INTELLIGENT TECHNOLOGY CO., LTD.**, Guangdong (CN)

(**) Term: **15 Years**

(21) Appl. No.: **29/766,735**

(22) Filed: **Jan. 18, 2021**

(51) **LOC (14) Cl.** **16-01**

(52) **U.S. Cl.**
USPC **D16/218; D16/202**

(58) **Field of Classification Search**
USPC D16/200, 202–206, 208, 209, 218, 219
CPC G03B 15/03; G03B 17/02; G03B 17/04;
G03B 17/56; G03B 19/04; H04N 5/2251;
H04N 5/2252; H04N 5/2253; H04N
5/2254; H04N 2101/00

See application file for complete search history.

(56) **References Cited**

U.S. PATENT DOCUMENTS

D775,254 S * 12/2016 Parfitt D16/202
D816,753 S * 5/2018 Zhang D16/202

D850,513 S * 6/2019 Gan D16/218
D852,255 S * 6/2019 Guo D16/202
D855,675 S * 8/2019 Luo D16/202
D856,392 S * 8/2019 Luo D16/202
D857,076 S * 8/2019 Gan D16/202
D867,420 S * 11/2019 Zhang D16/202
D868,871 S * 12/2019 Nguyen D16/218
D877,228 S * 3/2020 Han D16/202
D881,972 S * 4/2020 Guo D16/202
D939,609 S * 12/2021 Han D16/202
D939,610 S * 12/2021 Han D16/202

* cited by examiner

Primary Examiner — Ramzi Almatrahi

(74) *Attorney, Agent, or Firm* — ScienBiziP, P.C.

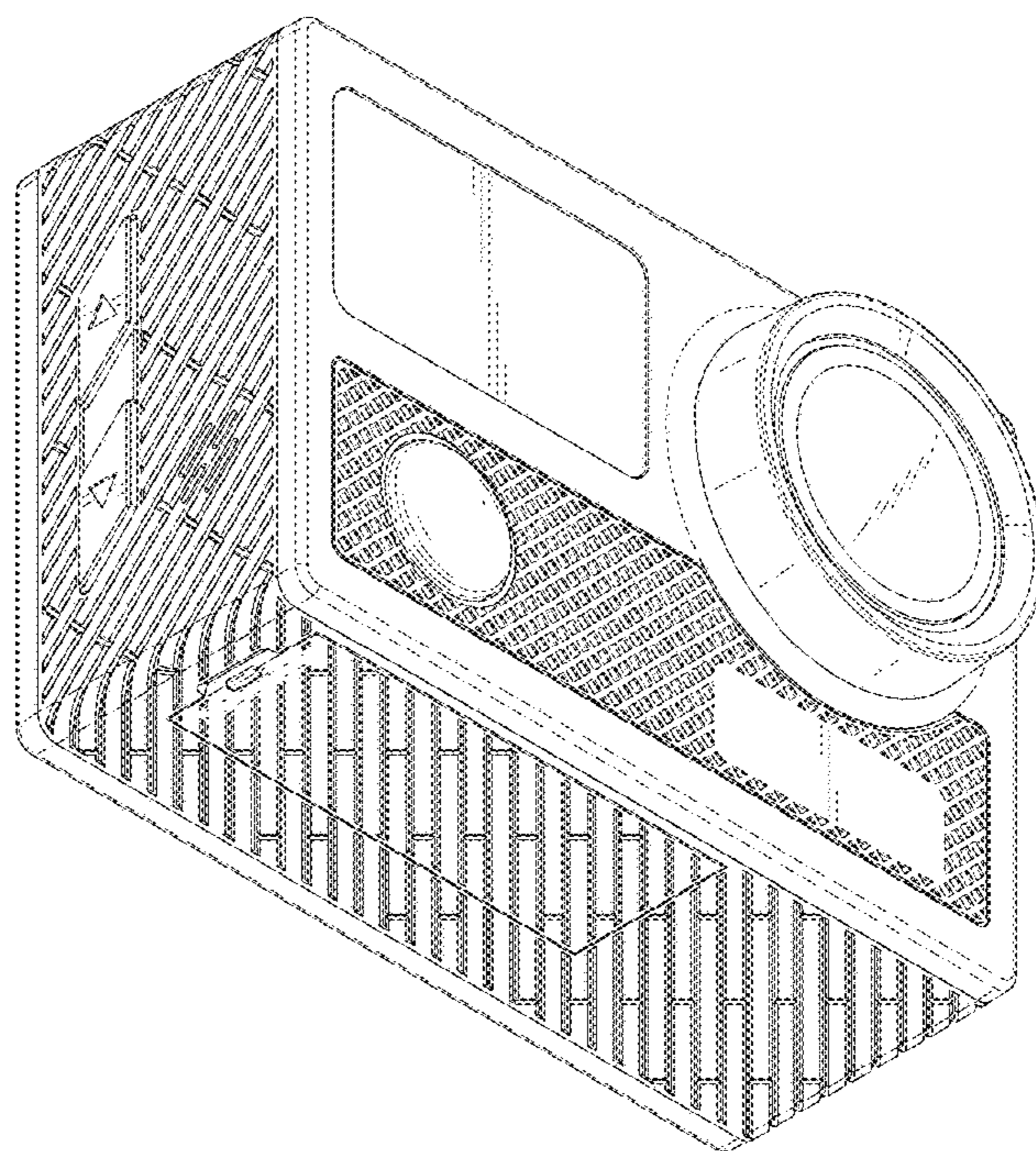
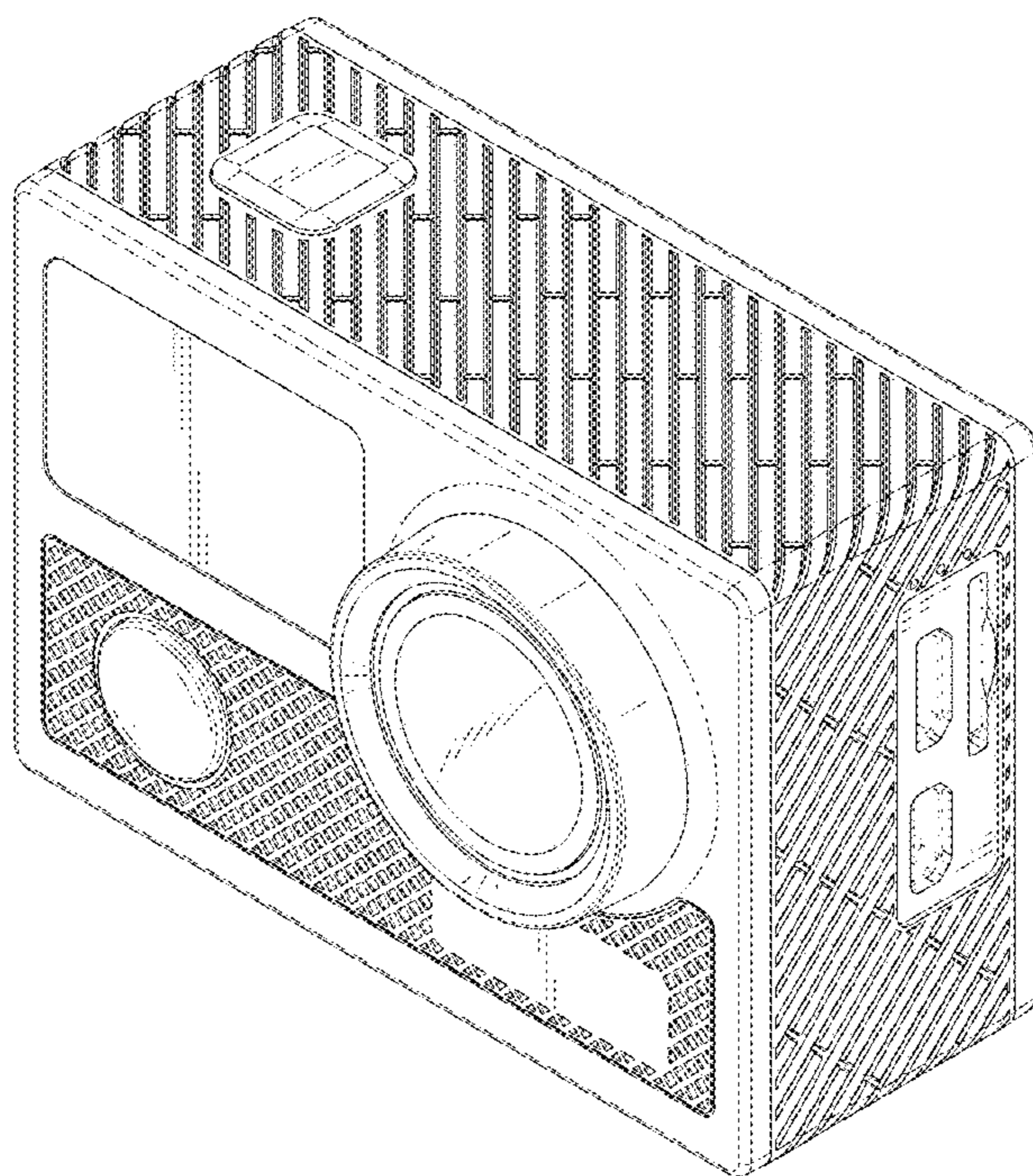
(57) **CLAIM**

The ornamental design for a camera, as shown and described.

DESCRIPTION

FIG. 1 is a front, right, and top perspective view of a camera, showing our design.
FIG. 2 is a front, left, and bottom perspective view thereof.
FIG. 3 is a front elevation view thereof.
FIG. 4 is a rear elevation view thereof.
FIG. 5 is a left side elevation view thereof.
FIG. 6 is a right side elevation view thereof.
FIG. 7 is a top plan view thereof; and,
FIG. 8 is a bottom plan view thereof.
The broken lines shown in the drawings are included for the purpose of illustrating portions of the camera that form no part of the claimed design.

1 Claim, 8 Drawing Sheets



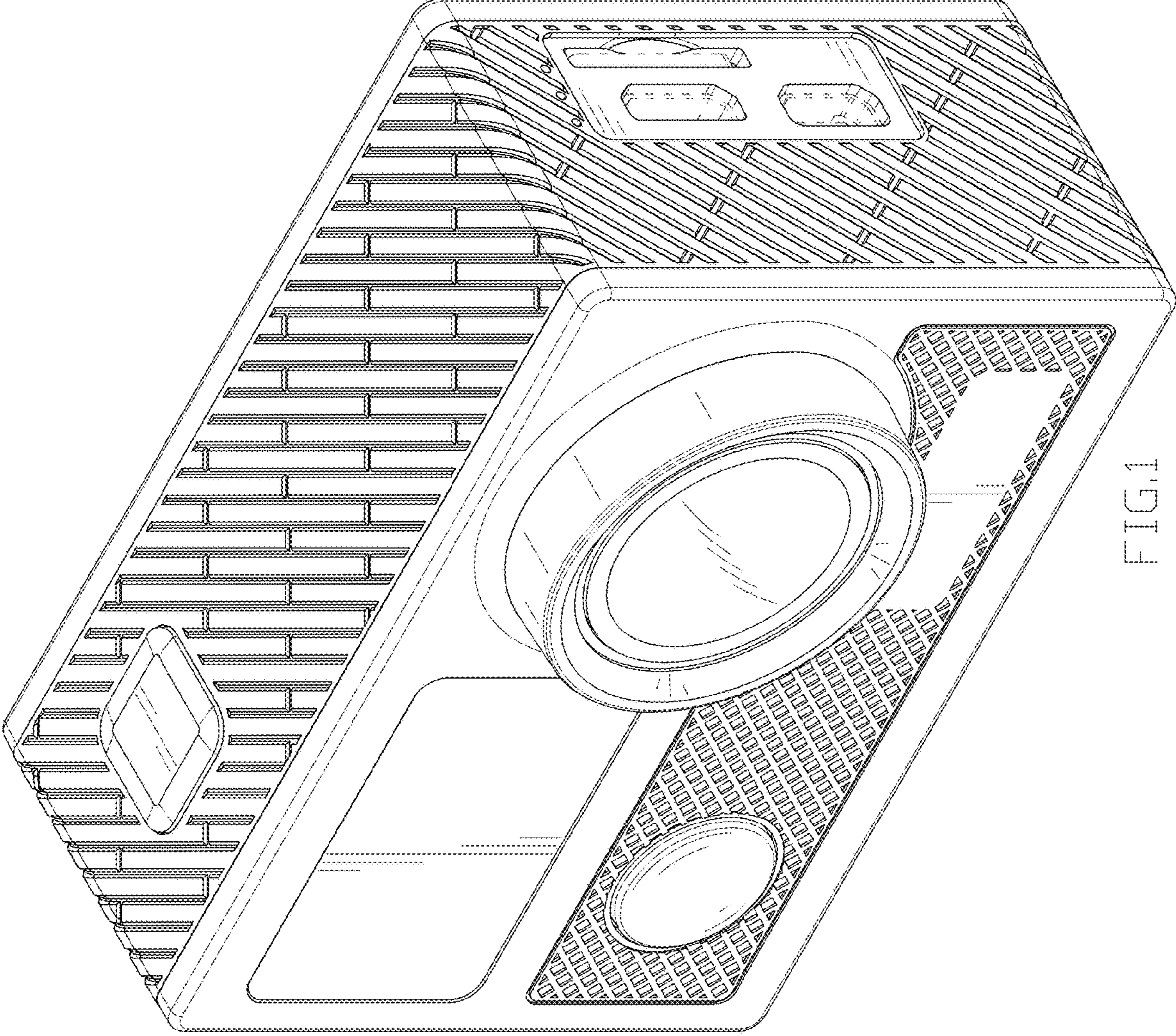


FIG. 1

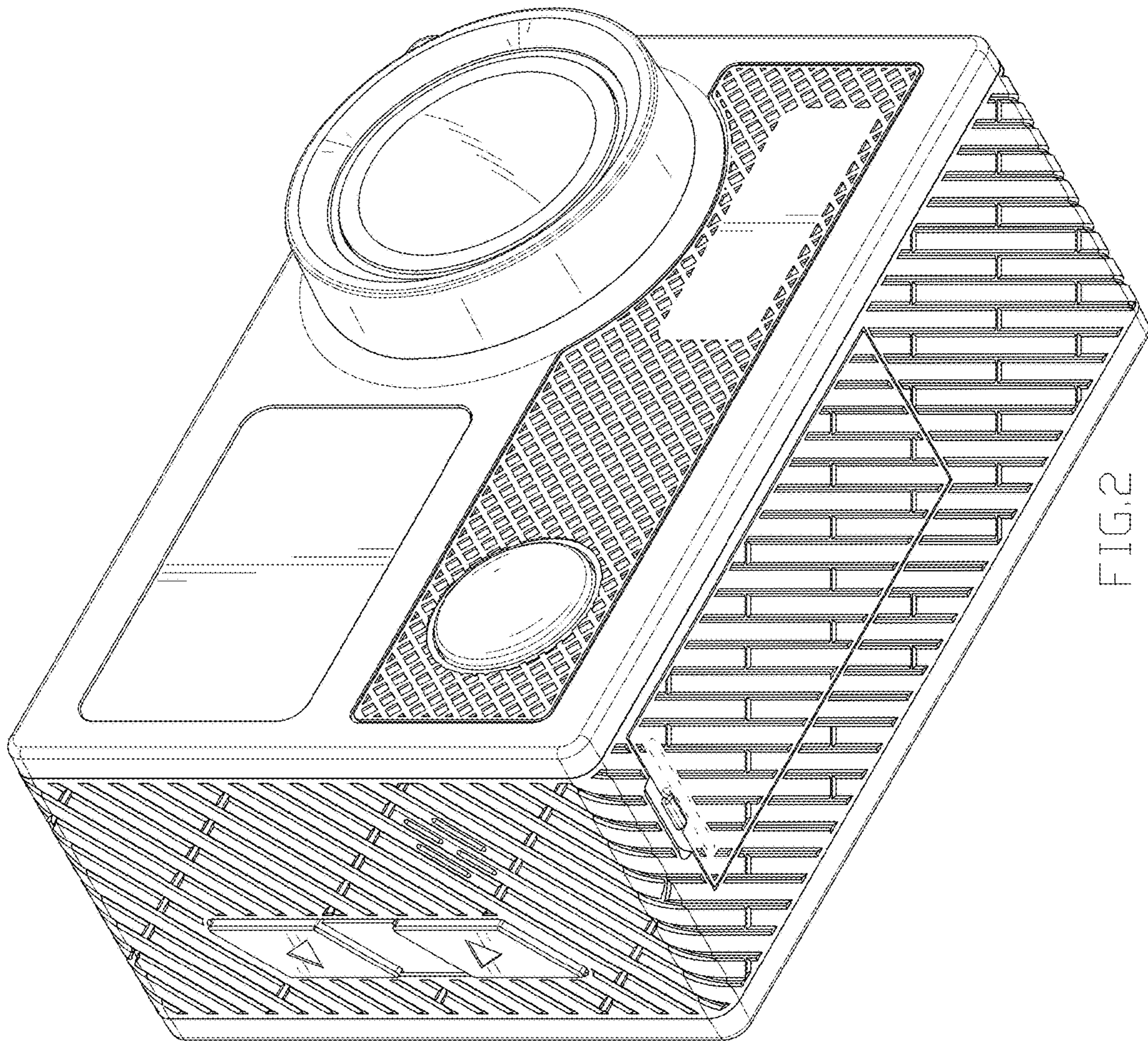


FIG. 2

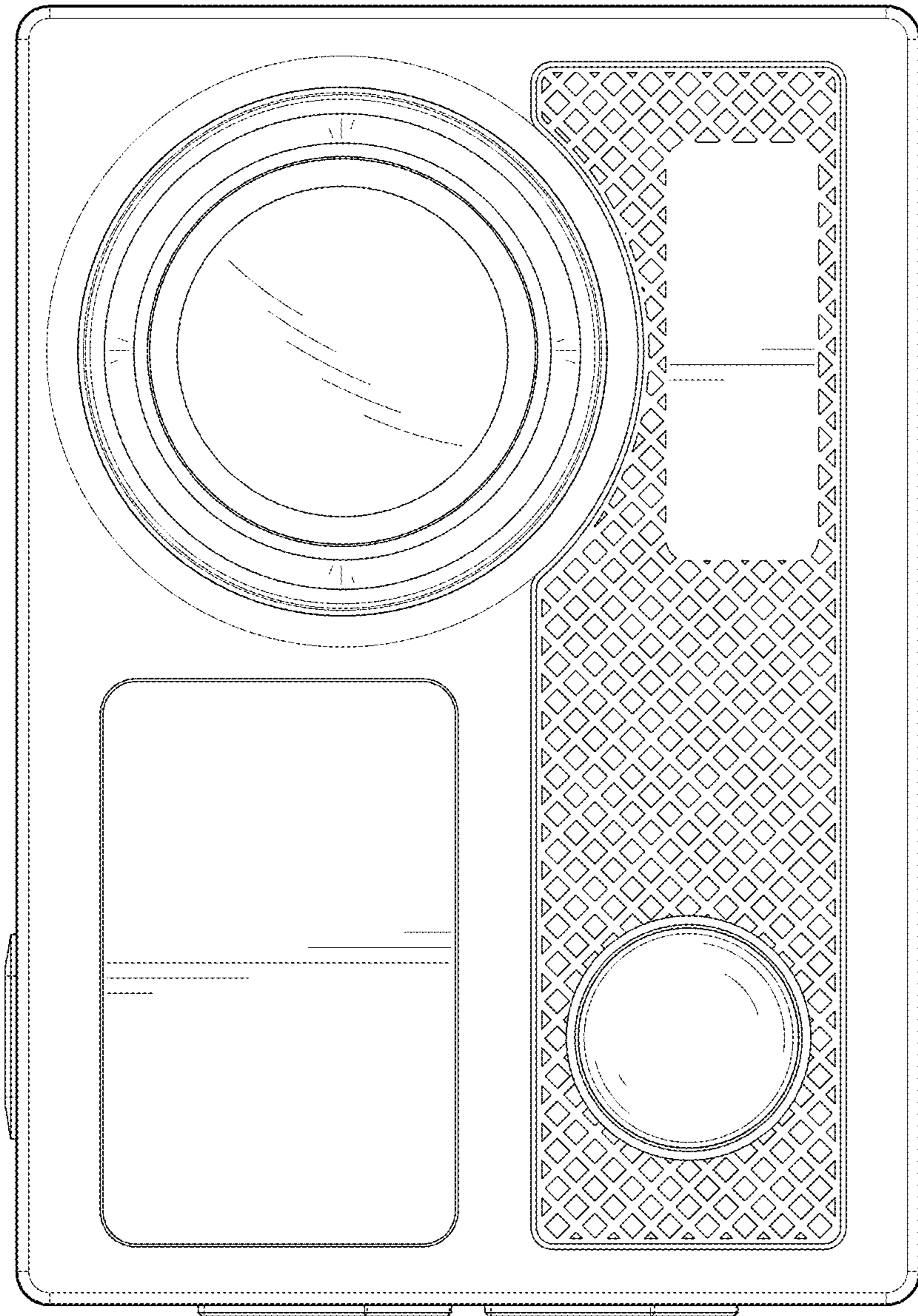


FIG. 3

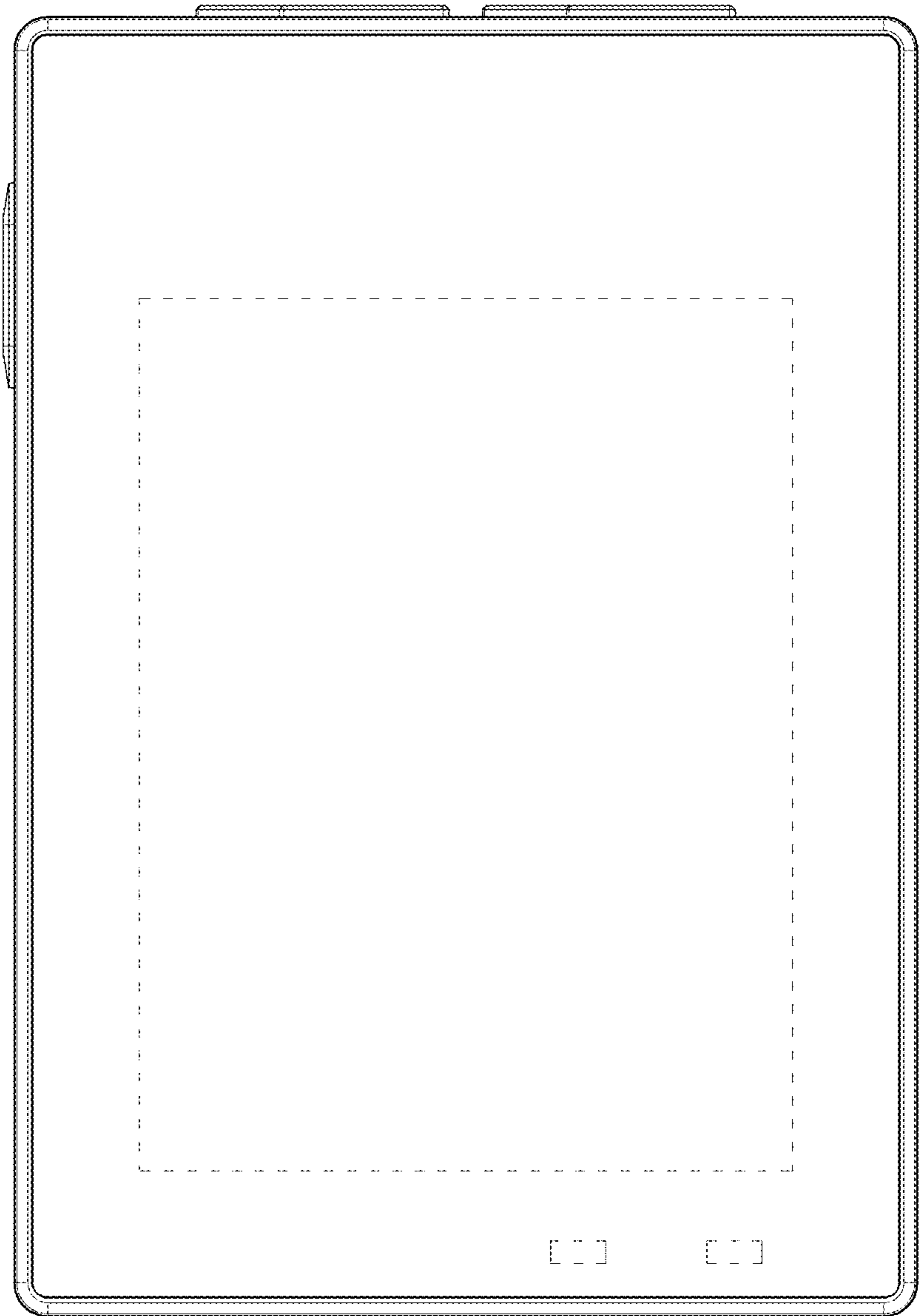


FIG.4

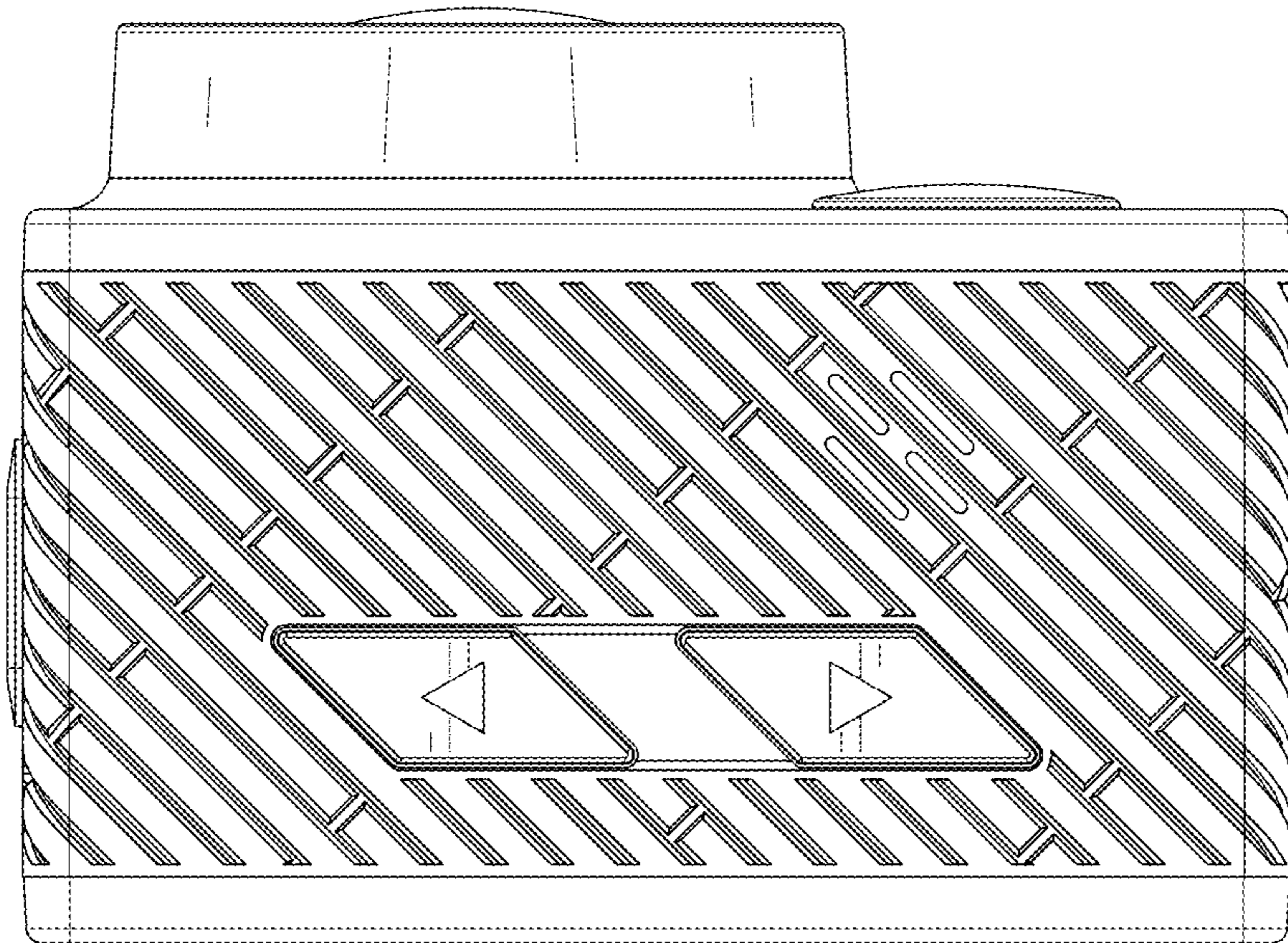


FIG. 5

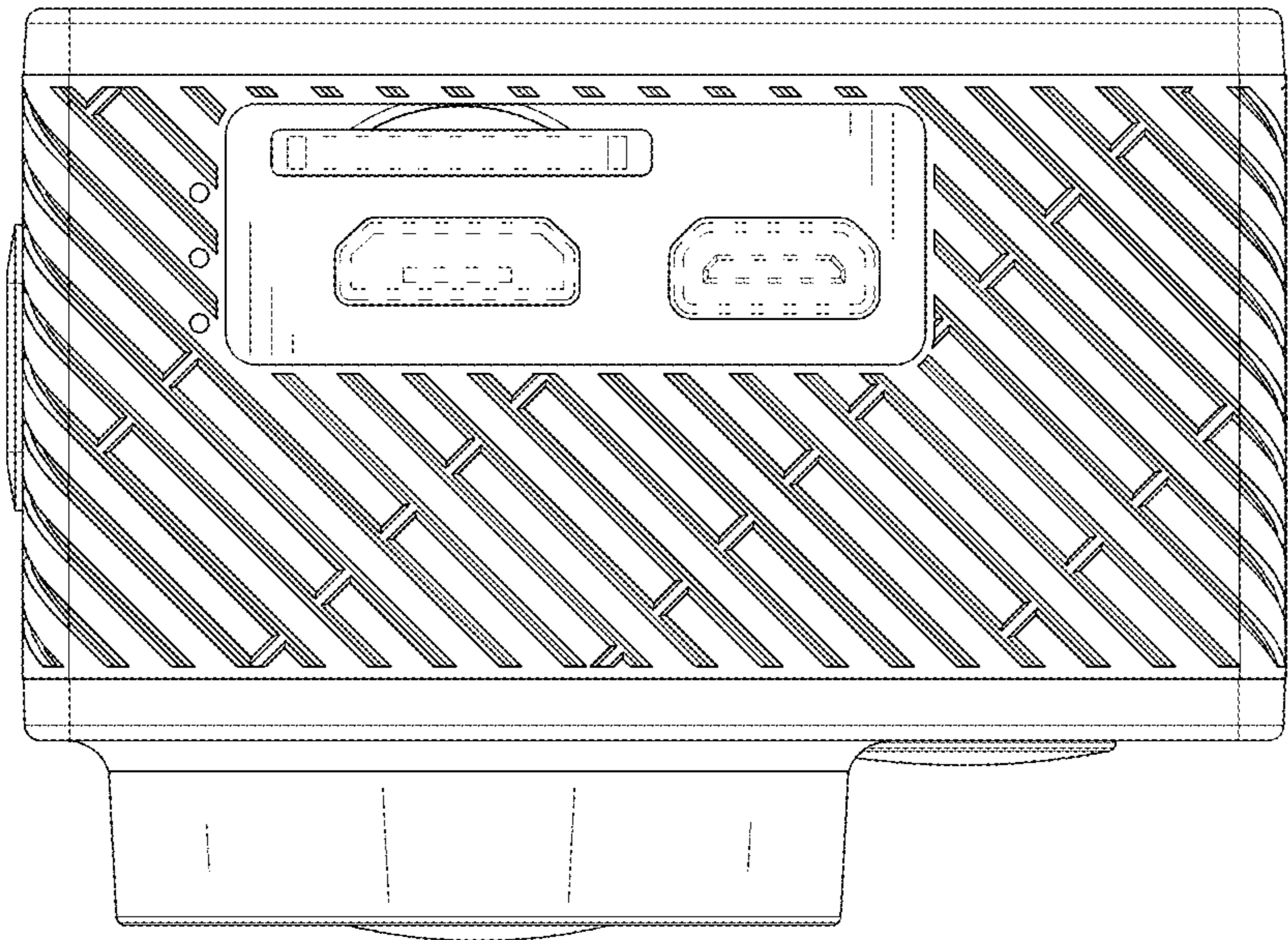


FIG.6

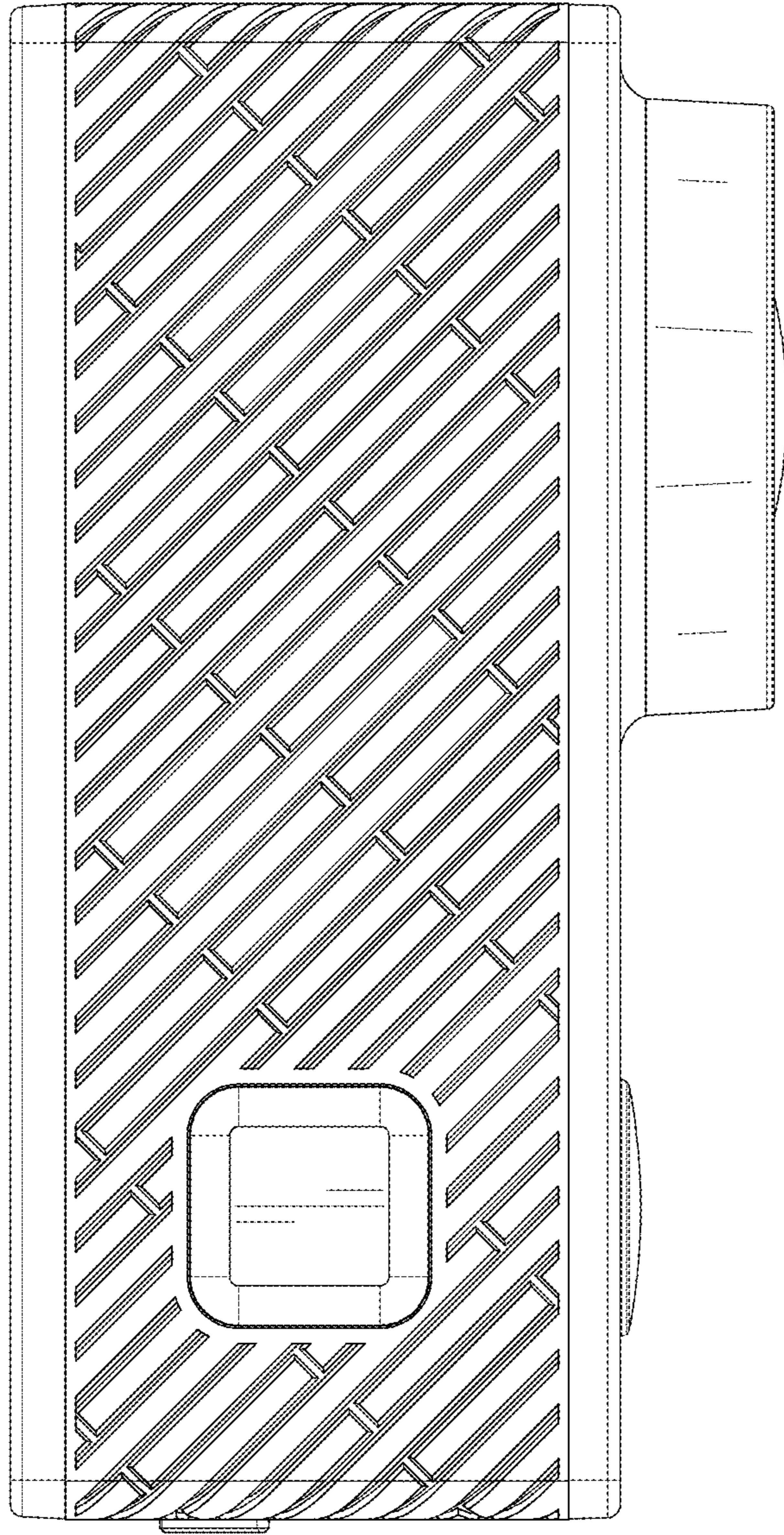


FIG. 7

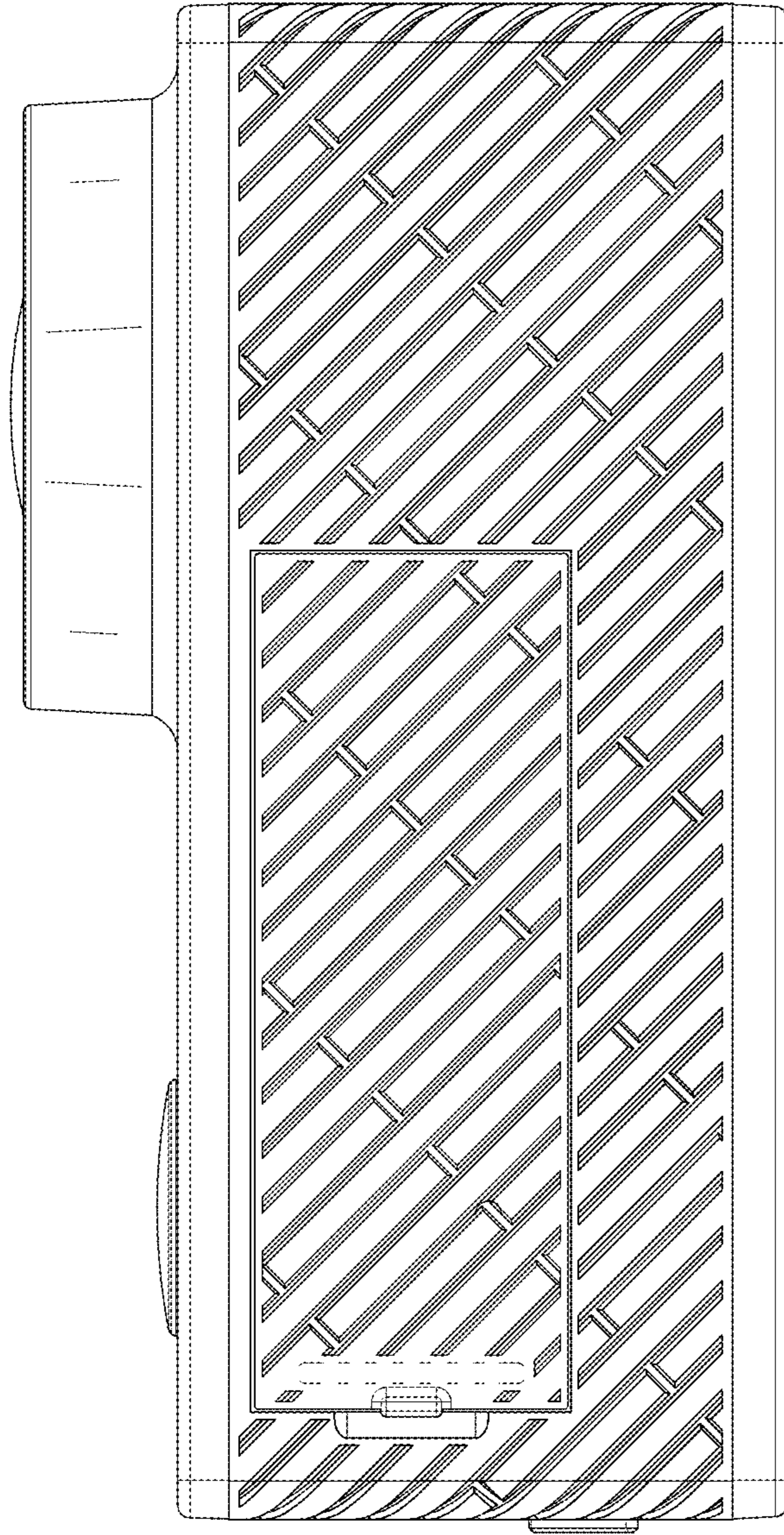


FIG. 8