



US00D983855S

(12) **United States Design Patent**  
**Yamamoto**

(10) **Patent No.:** **US D983,855 S**

(45) **Date of Patent:** **\*\* Apr. 18, 2023**

(54) **VIDEO CAMERA**

(71) Applicant: **JVCKENWOOD Corporation,**  
Yokohama (JP)

(72) Inventor: **Shunsuke Yamamoto,** Yokohama (JP)

(73) Assignee: **JVCKENWOOD Corporation,**  
Yokohama (JP)

(\*\*) Term: **15 Years**

(21) Appl. No.: **29/778,839**

(22) Filed: **Apr. 15, 2021**

(30) **Foreign Application Priority Data**

Dec. 7, 2020 (JP) ..... 2020-026307 D

(51) **LOC (14) Cl.** ..... **16-01**

(52) **U.S. Cl.**  
USPC ..... **D16/203; D16/218**

(58) **Field of Classification Search**  
USPC ..... D16/200–208, 210, 214, 218, 219;  
D10/65, 70; 348/373–376; 358/906;  
396/419, 427, 428, 535, 539–541  
CPC ..... G03B 15/03; G03B 17/02; G03B 17/04;  
G03B 17/56; G03B 19/04; H04N 5/2251;  
H04N 5/2252; H04N 5/2253; H04N  
5/2254; H04N 2101/00

See application file for complete search history.

(56) **References Cited**

**U.S. PATENT DOCUMENTS**

D484,160 S \* 12/2003 Kangasmaa ..... D16/202  
D694,797 S \* 12/2013 Parker ..... D16/202

D721,753 S \* 1/2015 Park ..... D16/202  
D782,560 S \* 3/2017 Li ..... D16/208  
D888,803 S \* 6/2020 Hsu ..... D16/218  
D919,691 S \* 5/2021 Yang ..... D16/208  
D921,736 S \* 6/2021 Yin ..... D16/208  
D924,304 S \* 7/2021 Kapuria ..... D16/208  
D925,643 S \* 7/2021 Hsu ..... D16/208  
D928,219 S \* 8/2021 Yang ..... D16/218  
D930,061 S \* 9/2021 He ..... D16/202  
D935,510 S \* 11/2021 Yang ..... D16/208  
2013/0107110 A1 \* 5/2013 Park ..... H04N 5/2252  
348/373

\* cited by examiner

*Primary Examiner* — Ramzi Almatrahi

(74) *Attorney, Agent, or Firm* — Amin, Turocy & Watson  
LLP

(57) **CLAIM**

The ornamental design for a video camera, as shown and described.

**DESCRIPTION**

FIG. 1 is a top, front and right side perspective view of a video camera;  
FIG. 2 is a top, rear and left side perspective view thereof;  
FIG. 3 is a front elevational view thereof;  
FIG. 4 is a rear elevational view thereof;  
FIG. 5 is a top plan view thereof;  
FIG. 6 is a bottom plan view thereof;  
FIG. 7 is a left side elevational view thereof; and,  
FIG. 8 is a right side elevational view thereof.  
The broken lines shown in the drawings illustrate portions of the video camera that form no part of the claimed design.

**1 Claim, 8 Drawing Sheets**

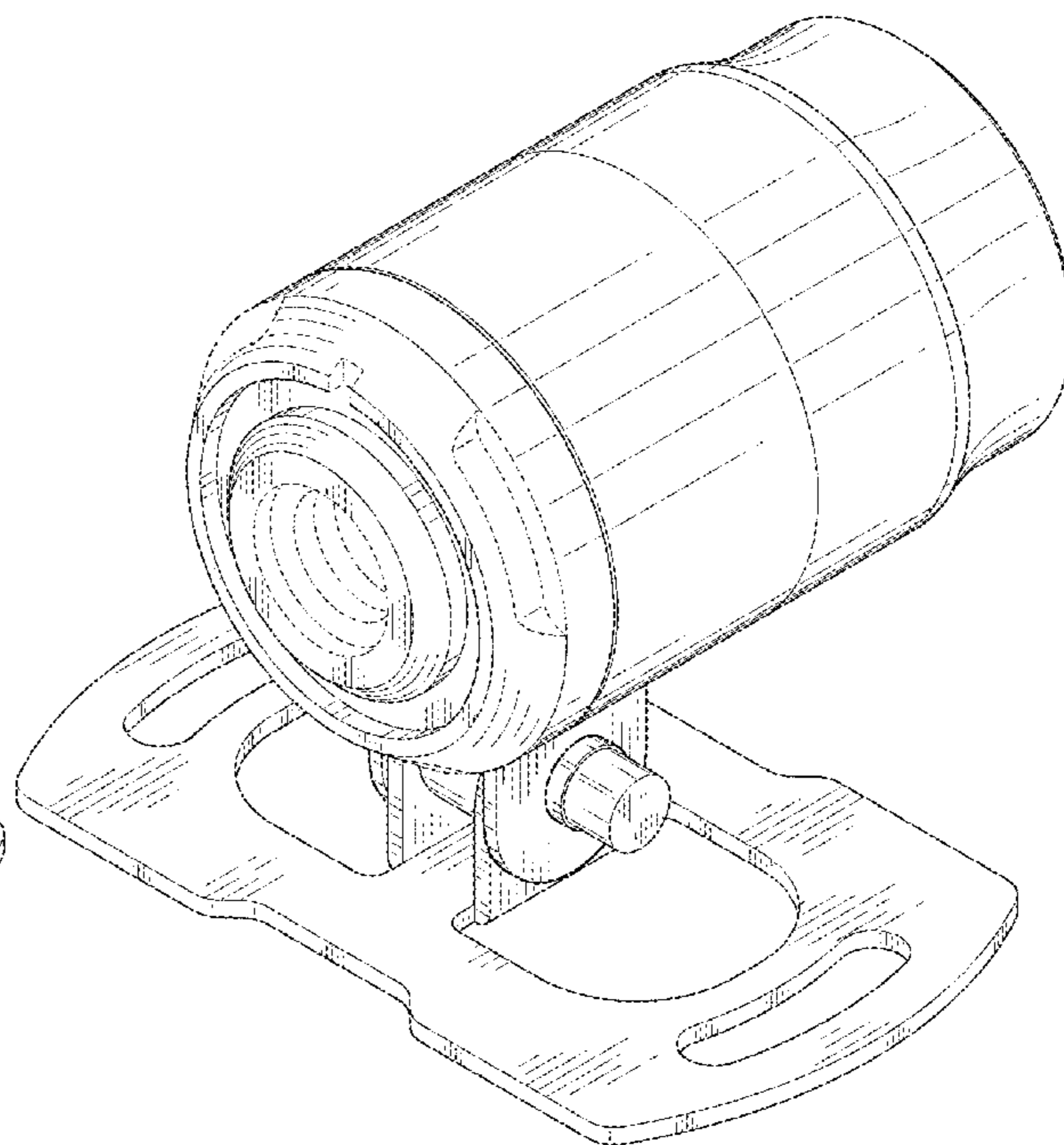
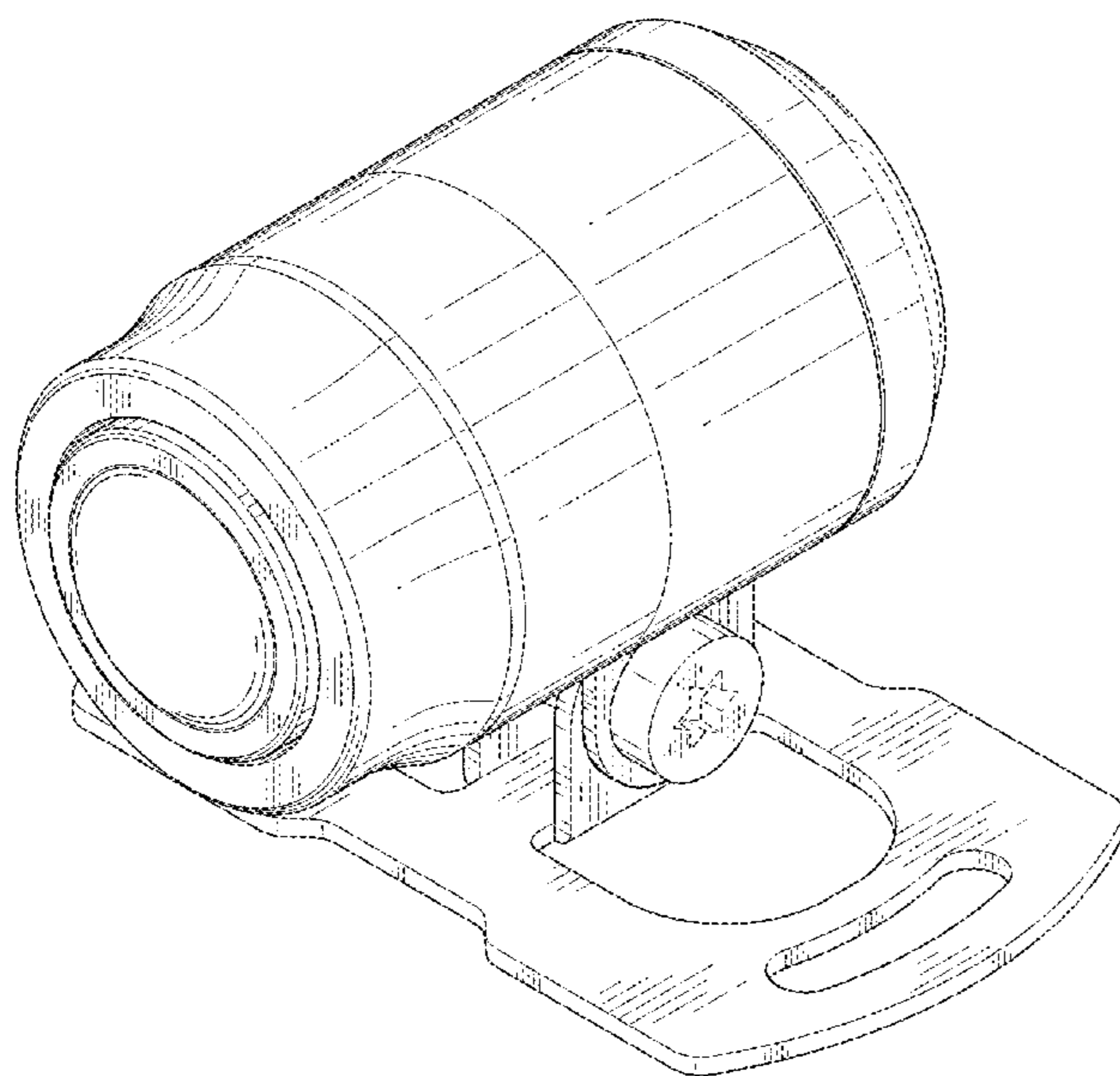


Fig.1

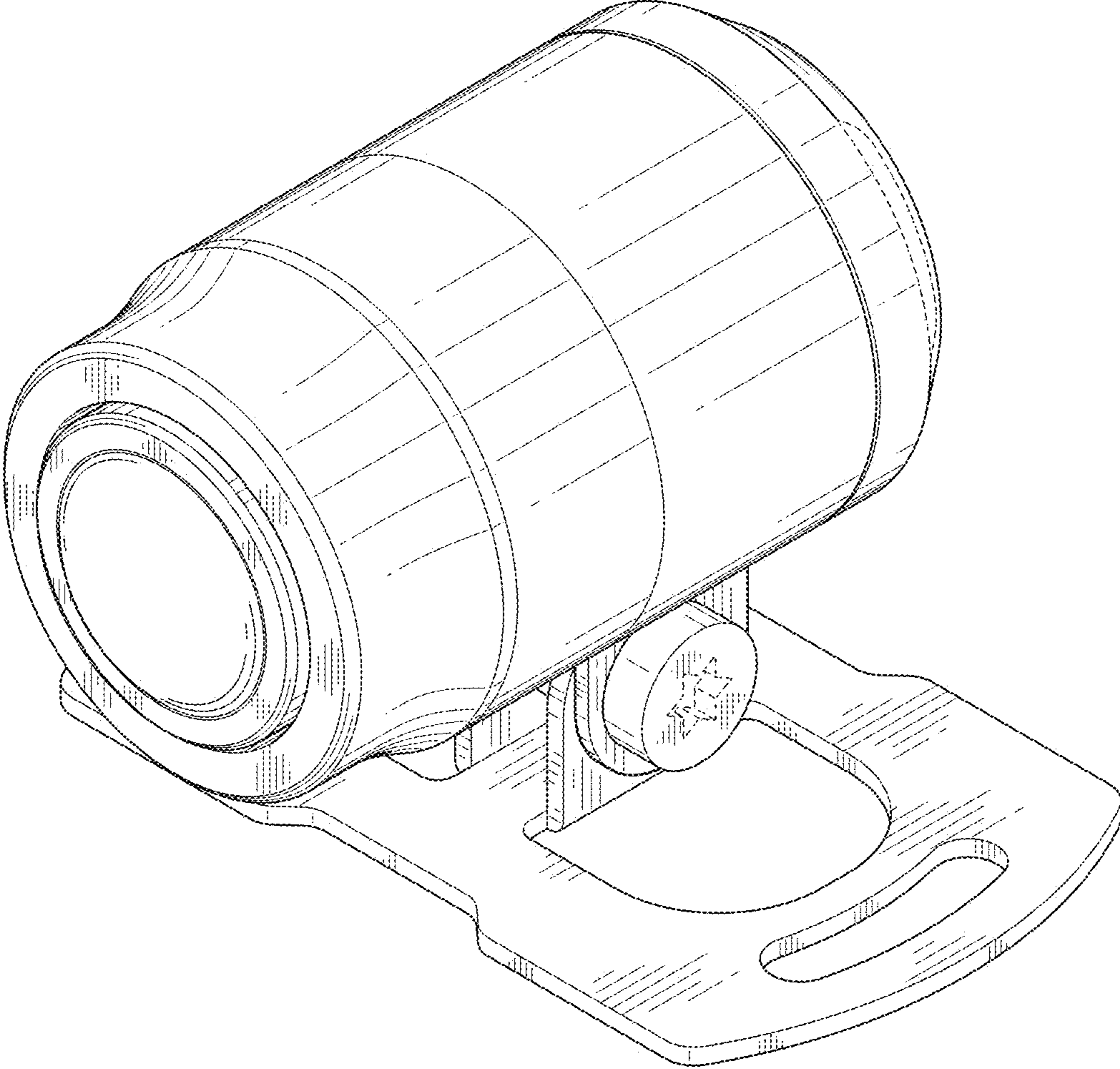


Fig.2

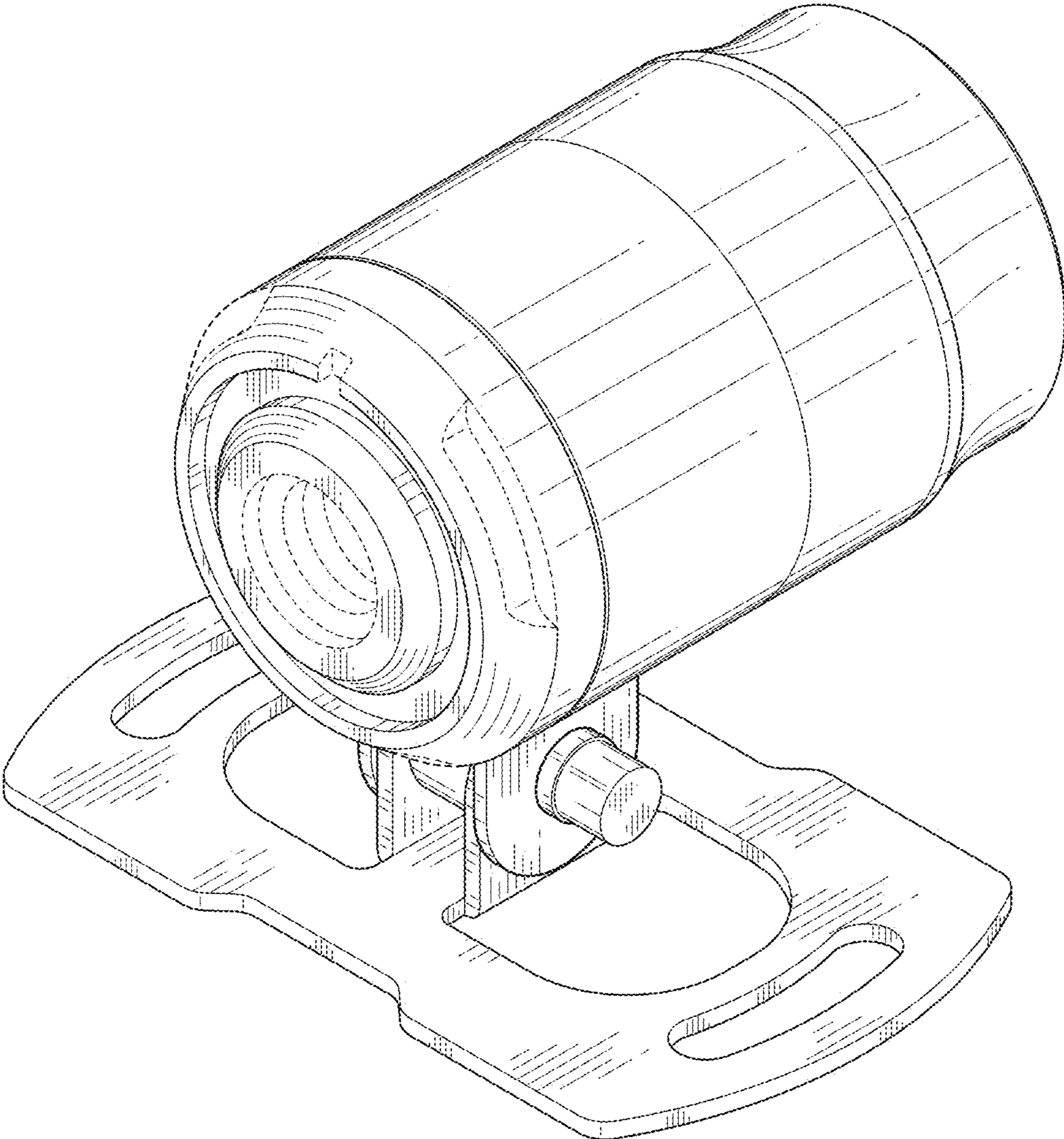


Fig.3

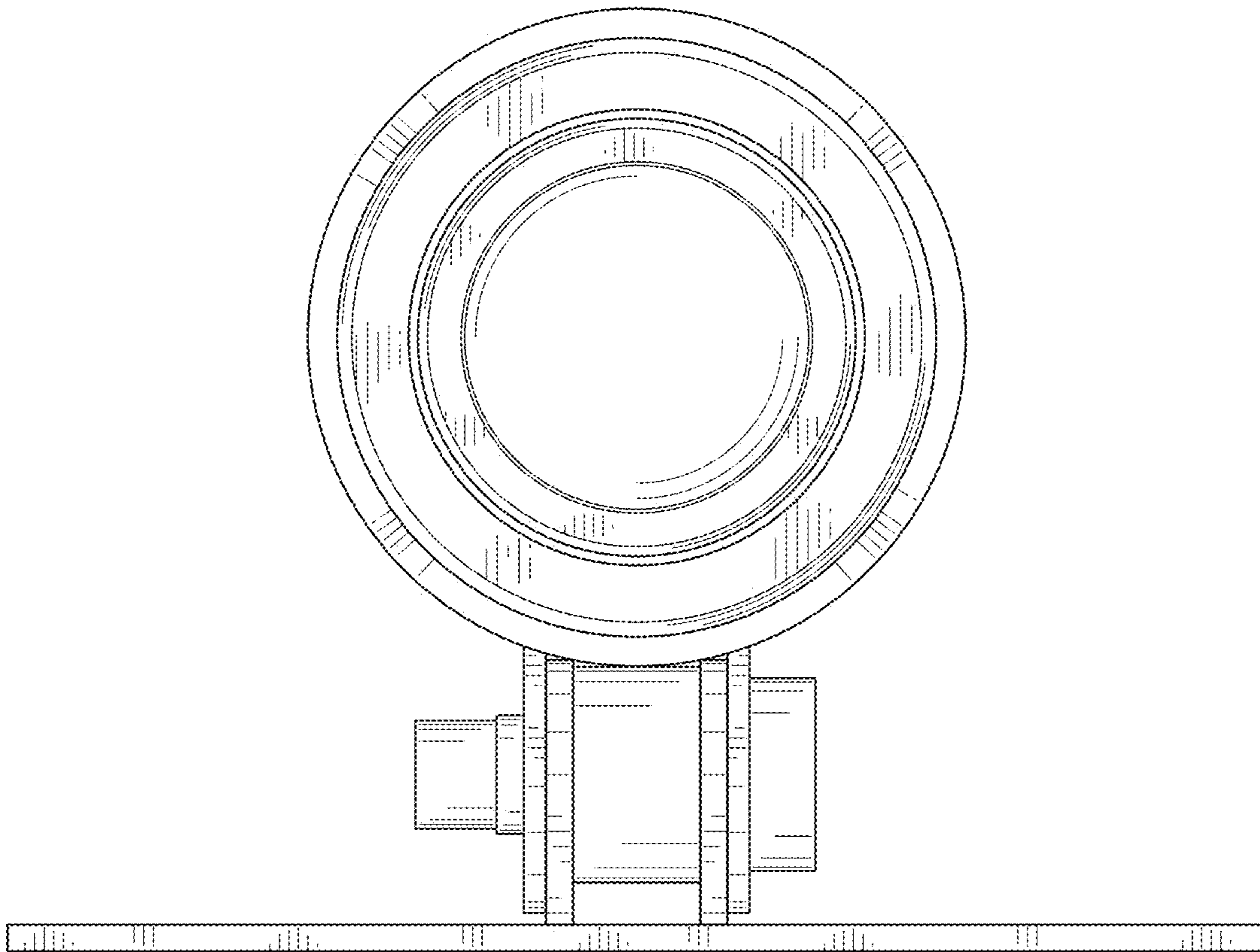


Fig.4

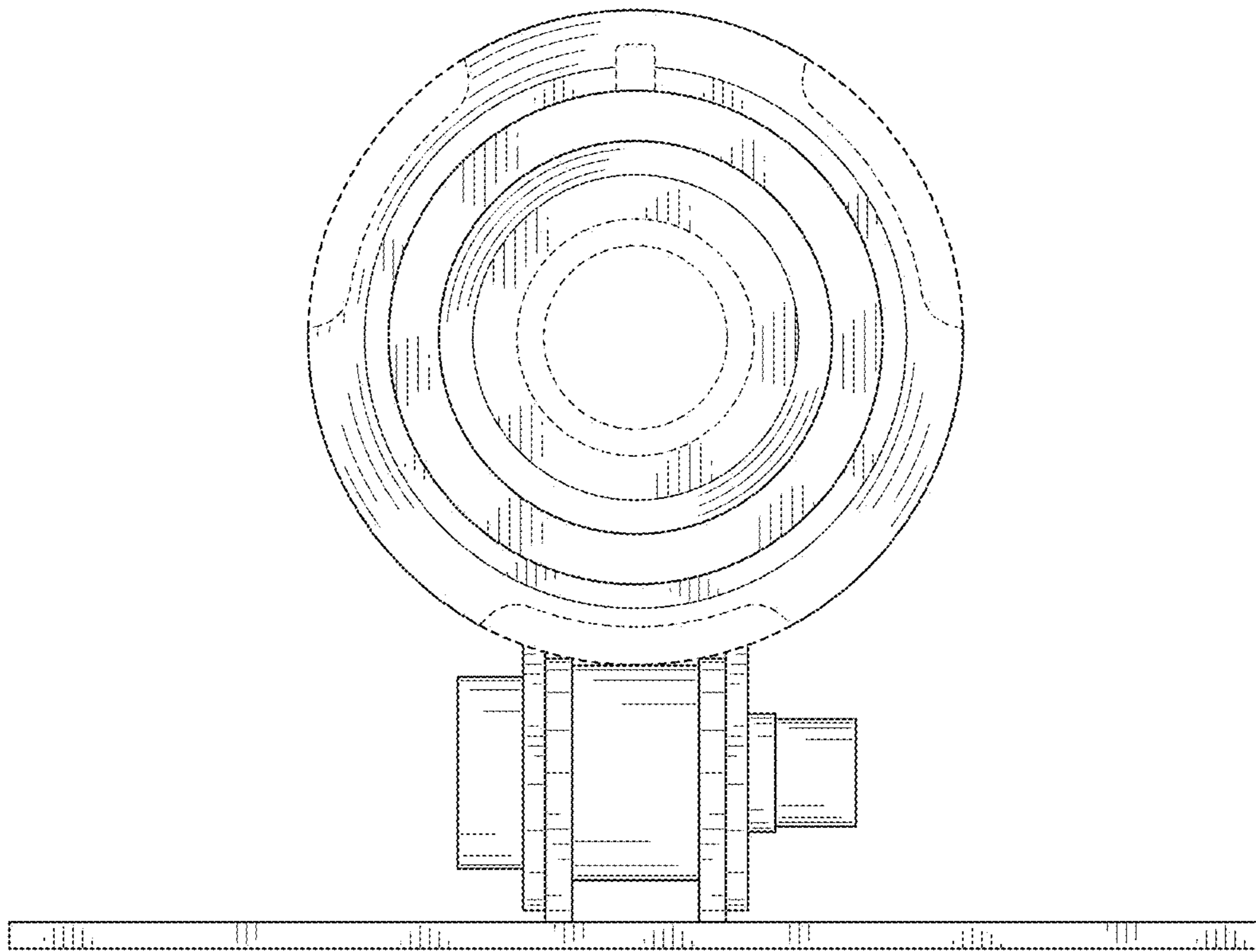


Fig.5

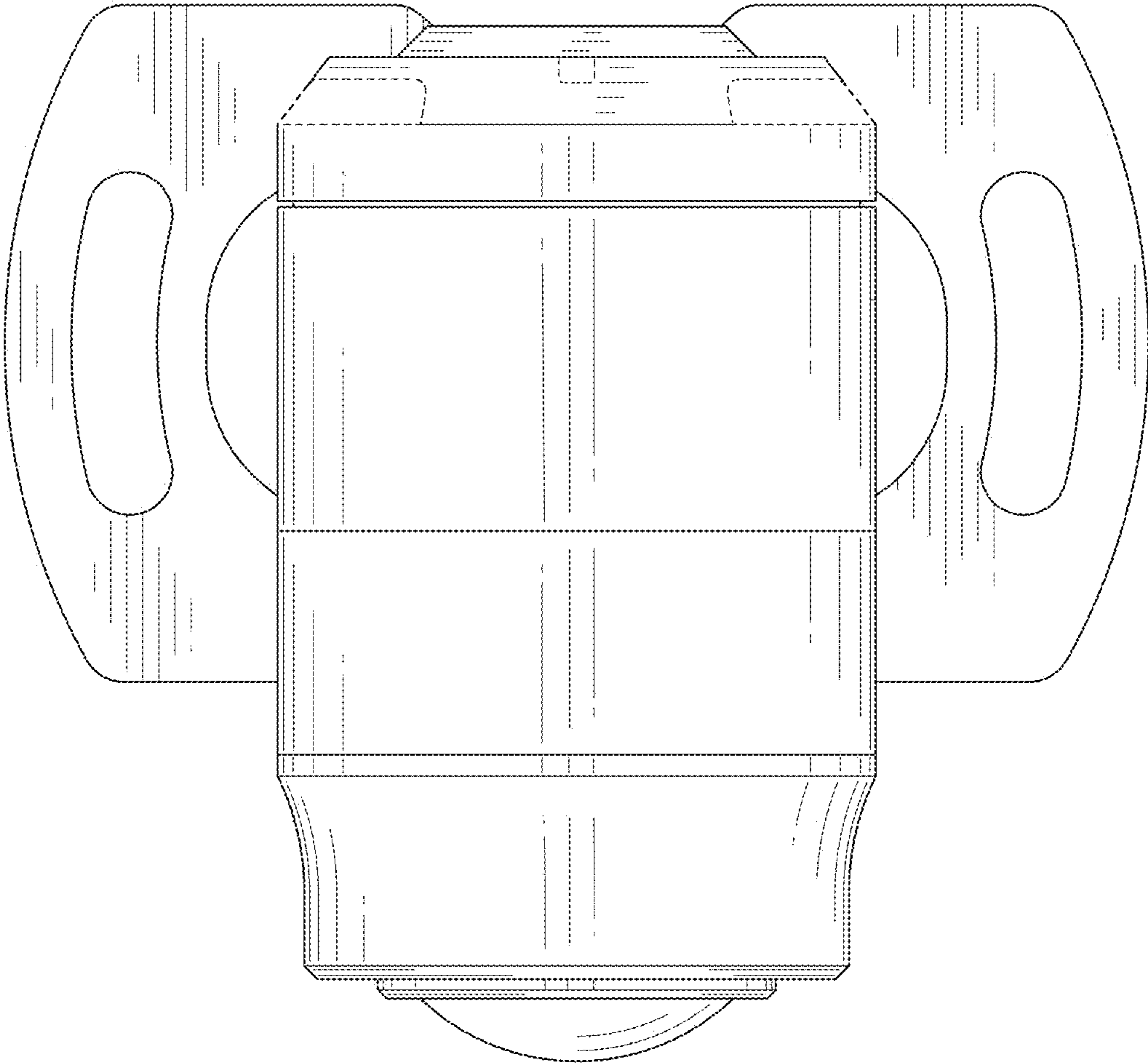


Fig.6

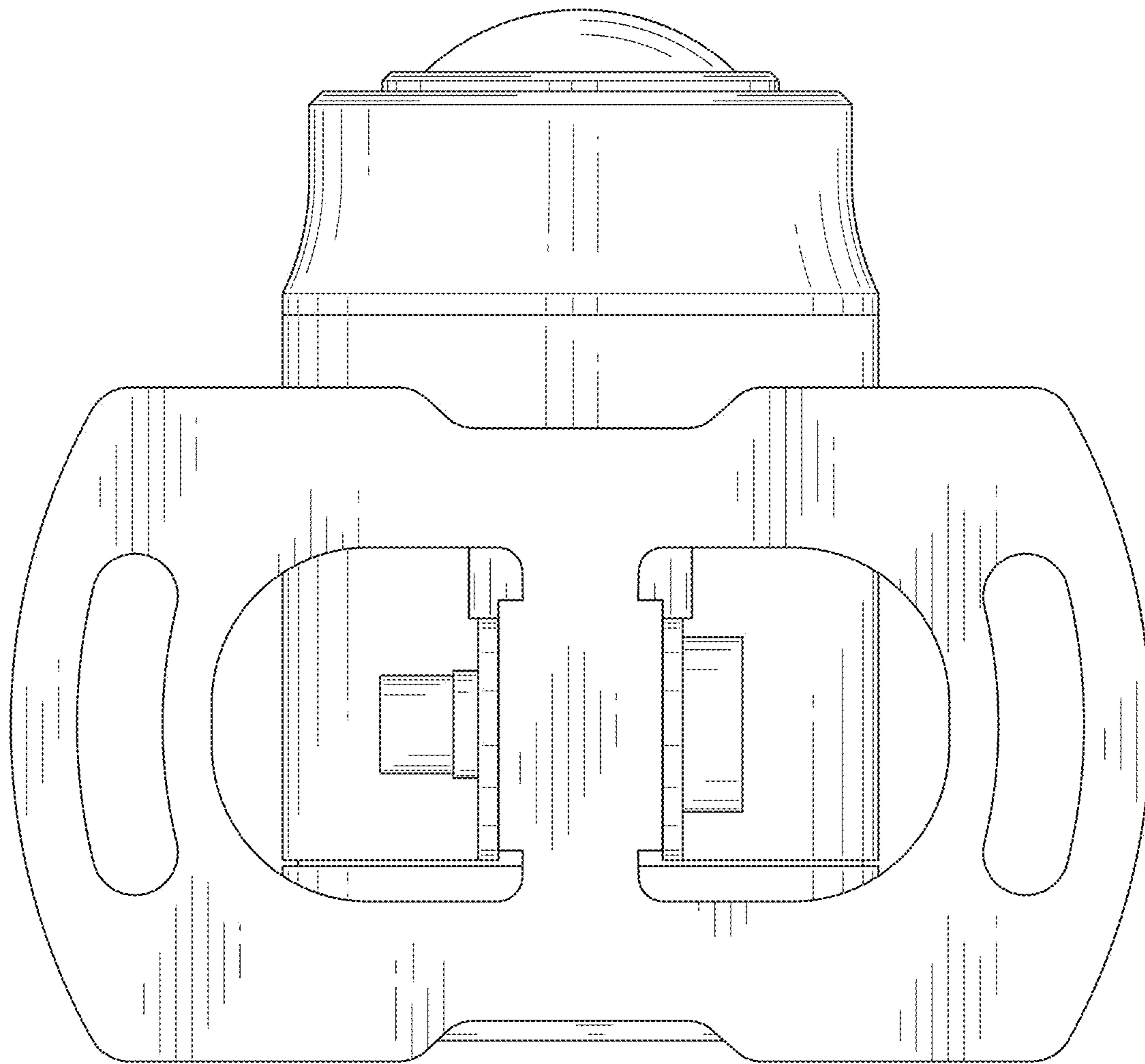


Fig.7

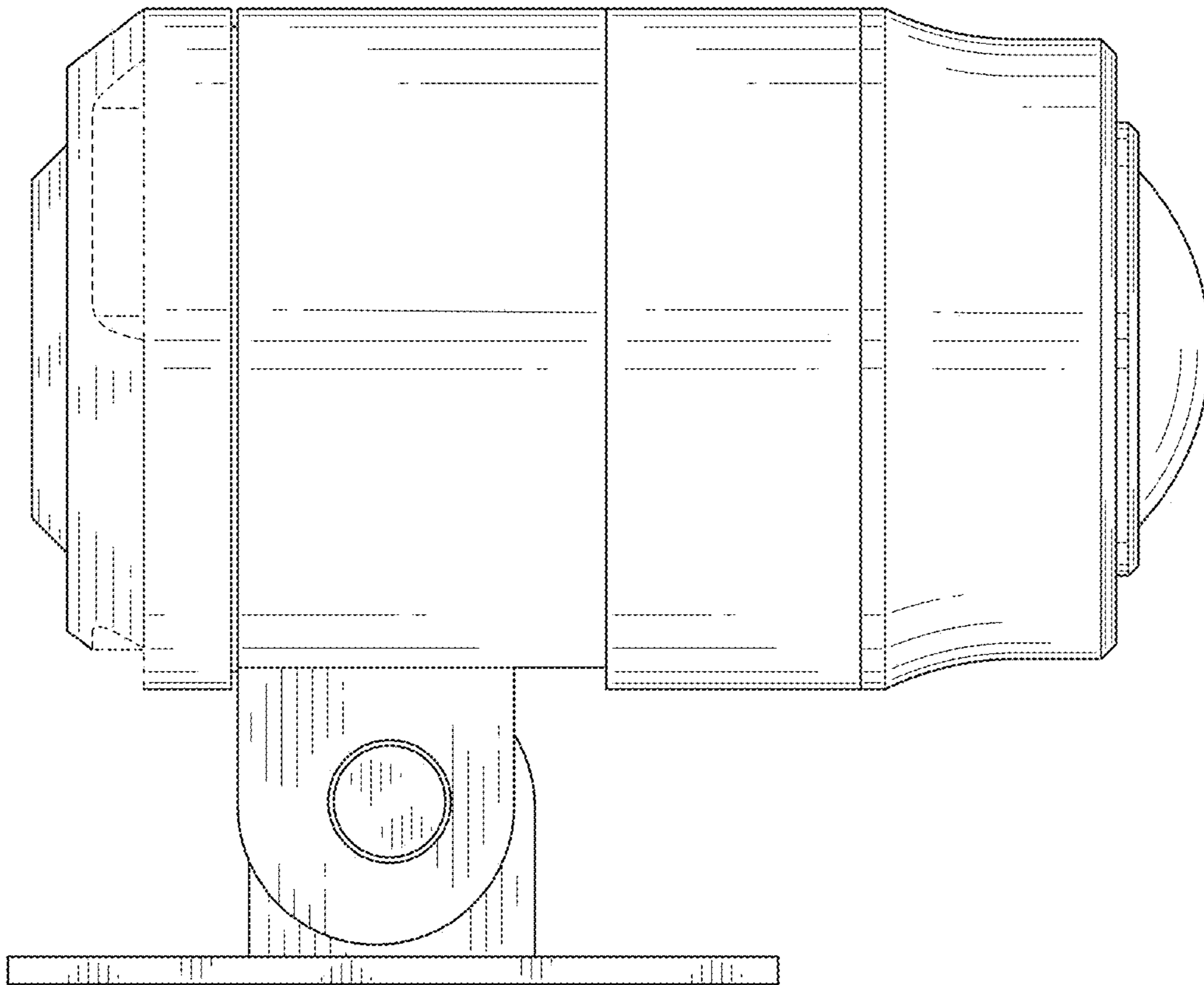




Fig.8

