



US00D983854S

(12) **United States Design Patent**
Davis

(10) **Patent No.:** **US D983,854 S**
(45) **Date of Patent:** **** Apr. 18, 2023**

(54) **OPTICAL SENSOR WITH ILLUMINATED
BRAND IDENTIFICATION**

(71) Applicant: **DeepView Corp.**, Macomb, MI (US)

(72) Inventor: **Eliyahu Davis**, Macomb, MI (US)

(73) Assignee: **DeepView Corp.**, Macomb, MI (US)

(**) Term: **15 Years**

(21) Appl. No.: **29/778,288**

(22) Filed: **Apr. 12, 2021**

(51) **LOC (14) Cl.** **16-01**

(52) **U.S. Cl.**

USPC **D16/200**

(58) **Field of Classification Search**

USPC D16/200, 202-204, 208, 211, 214, 218,
D16/219, 243; D10/57, 70

(Continued)

(56) **References Cited**

U.S. PATENT DOCUMENTS

D296,551 S * 7/1988 Mizogui D16/202
D458,288 S * 6/2002 Nakano D16/202

(Continued)

OTHER PUBLICATIONS

“Deepview Smart Camera,” published Aug. 21, 2021, retrieved Aug. 30, 2022 from <https://www.vision-systems.com/cameras-accessories/article/14209342/smart-camera-includes-serverlevel-hardware-for-onboard-neural-network-training> (Year: 2021).*

(Continued)

Primary Examiner — Maria J. Edwards

Assistant Examiner — Dina Michelle Hoeynck

(74) *Attorney, Agent, or Firm* — Torrey Pines Law Group, PC

(57) **CLAIM**

The ornamental design for an optical sensor with illuminated brand identification, as shown and described.

DESCRIPTION

FIG. 1 is a top view of an optical sensor with illuminated brand identification with a first exemplary wording;

FIG. 2 is a bottom view thereof;

FIG. 3 is a first side view thereof;

FIG. 4 is a front view thereof;

FIG. 5 is a second side view thereof;

FIG. 6 is a back view thereof;

FIG. 7 is a top perspective view thereof;

FIG. 8 is a bottom perspective view thereof;

FIG. 9 is a top view of an optical sensor with illuminated brand identification with a second exemplary wording;

FIG. 10 is a bottom view thereof

FIG. 11 is a first side view thereof;

FIG. 12 is a front view thereof;

FIG. 13 is a second side view thereof;

FIG. 14 is a back view thereof;

FIG. 15 is a top perspective view thereof;

FIG. 16 is a bottom perspective view thereof;

FIG. 17 is a top view of an optical sensor with illuminated brand identification with a third exemplary wording;

FIG. 18 is a bottom view thereof;

FIG. 19 is a first side view thereof;

FIG. 20 is a front view thereof;

FIG. 21 is a second side view thereof;

FIG. 22 is a back view thereof;

FIG. 23 is a top perspective view thereof;

FIG. 24 is a bottom perspective view thereof;

FIG. 25 is a top view of an optical sensor with illuminated brand identification with a fourth exemplary wording;

FIG. 26 is a bottom view thereof;

FIG. 27 is a first side view thereof;

FIG. 28 is a front view thereof;

FIG. 29 is a second side view thereof;

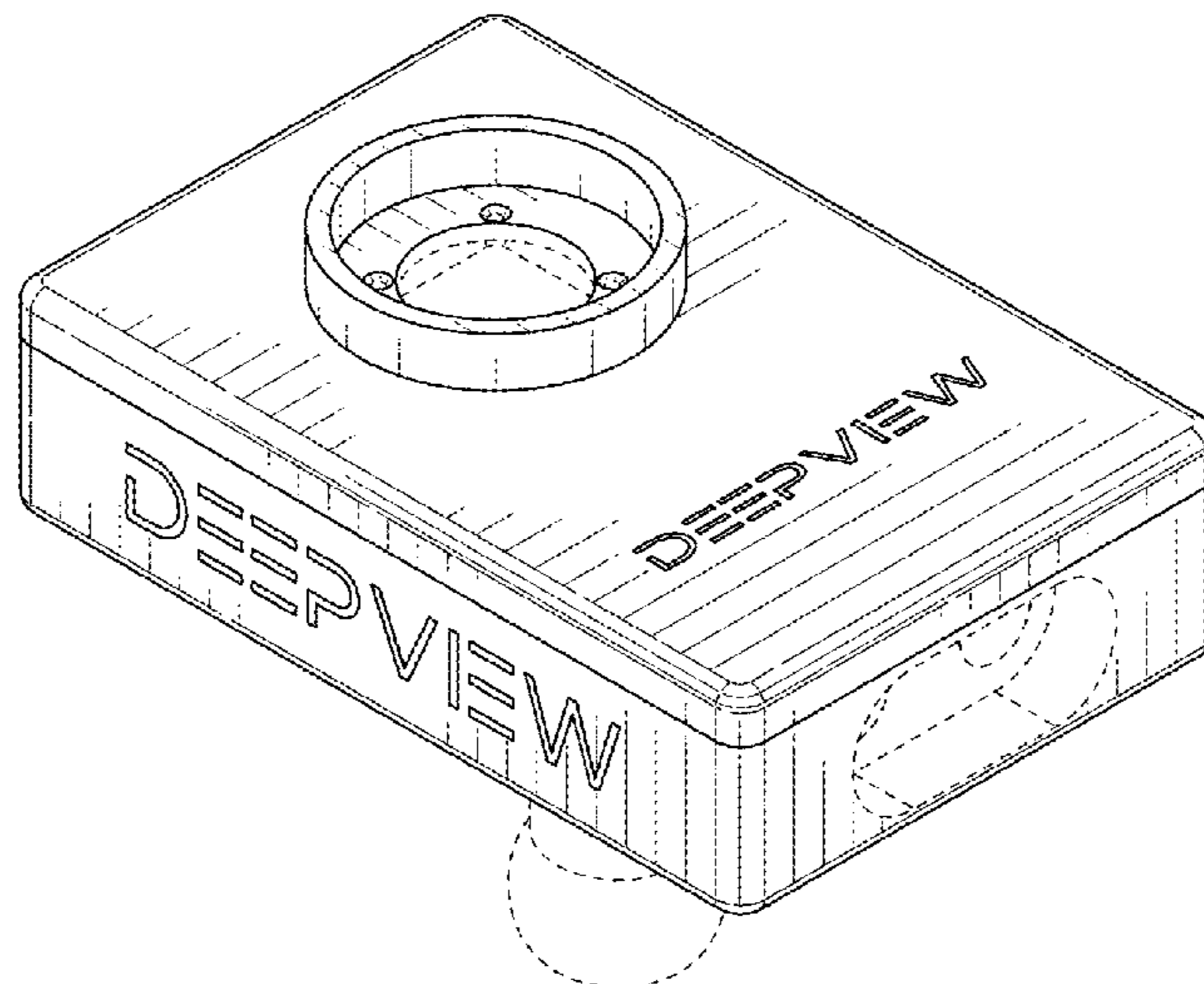
FIG. 30 is a back view thereof;

FIG. 31 is a top perspective view thereof; and,

FIG. 32 is a bottom perspective view thereof.

The broken lines illustrate portions of the article and form no part of the claimed design.

1 Claim, 12 Drawing Sheets



(58) **Field of Classification Search**

CPC G03B 17/00; G03B 17/02; G03B 2217/00;
H04N 5/225

See application file for complete search history.

(56) **References Cited**

U.S. PATENT DOCUMENTS

D501,494 S * 2/2005 Ogura D16/202
D502,197 S * 2/2005 Imai D16/202
D542,820 S * 5/2007 Depay D16/202
D633,930 S * 3/2011 Dinger D16/202
D641,771 S * 7/2011 Sasaki D16/202
D651,633 S * 1/2012 Park D16/203
D761,138 S * 7/2016 Manabe D10/70
D816,141 S * 4/2018 Siminoff D16/203
D846,620 S * 4/2019 Katori D16/203
D849,082 S * 5/2019 Boling D16/208
D851,154 S * 6/2019 Vigren D16/203
D872,162 S * 1/2020 Gao D16/218
D883,365 S * 5/2020 Nishimori D16/219
D890,832 S * 7/2020 Andres D16/214
D912,125 S * 3/2021 Gao D16/202
D957,955 S * 7/2022 Adams D10/46
2014/0267595 A1 * 9/2014 Cuddeback G08B 13/19619
348/37
2020/0412918 A1 * 12/2020 Hamada G03B 17/02
2021/0218934 A1 * 7/2021 Gorgees H04N 5/2257

OTHER PUBLICATIONS

“Neon 1000 MDX,” date not available, retrieved Sep. 1, 2022 from
https://www.adlinktech.com/Products/Machine_Vision/SmartCamera/NEON-1000-MDX_Series?lang=en (Year: 2022).*

* cited by examiner

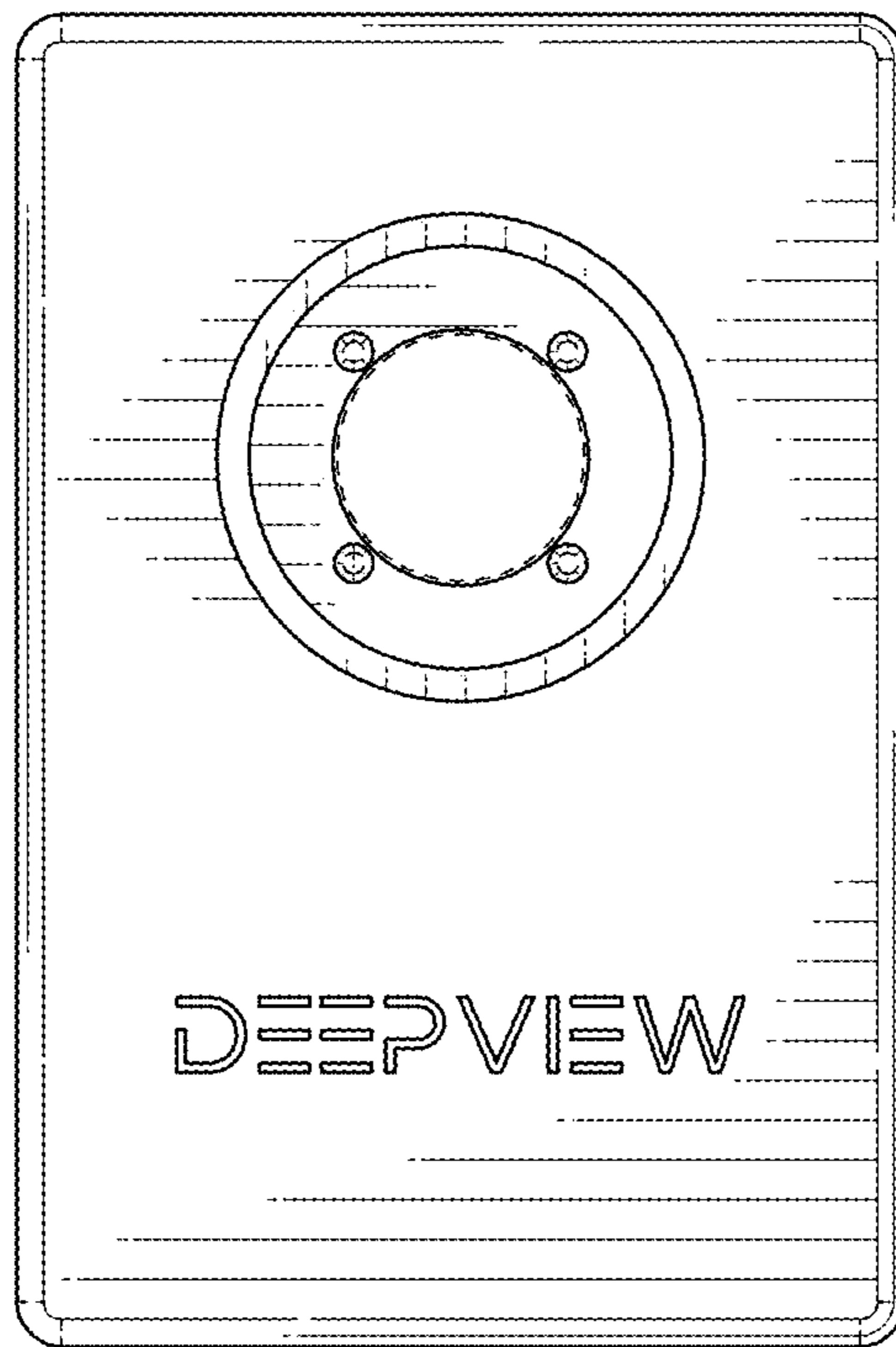


FIG. 1

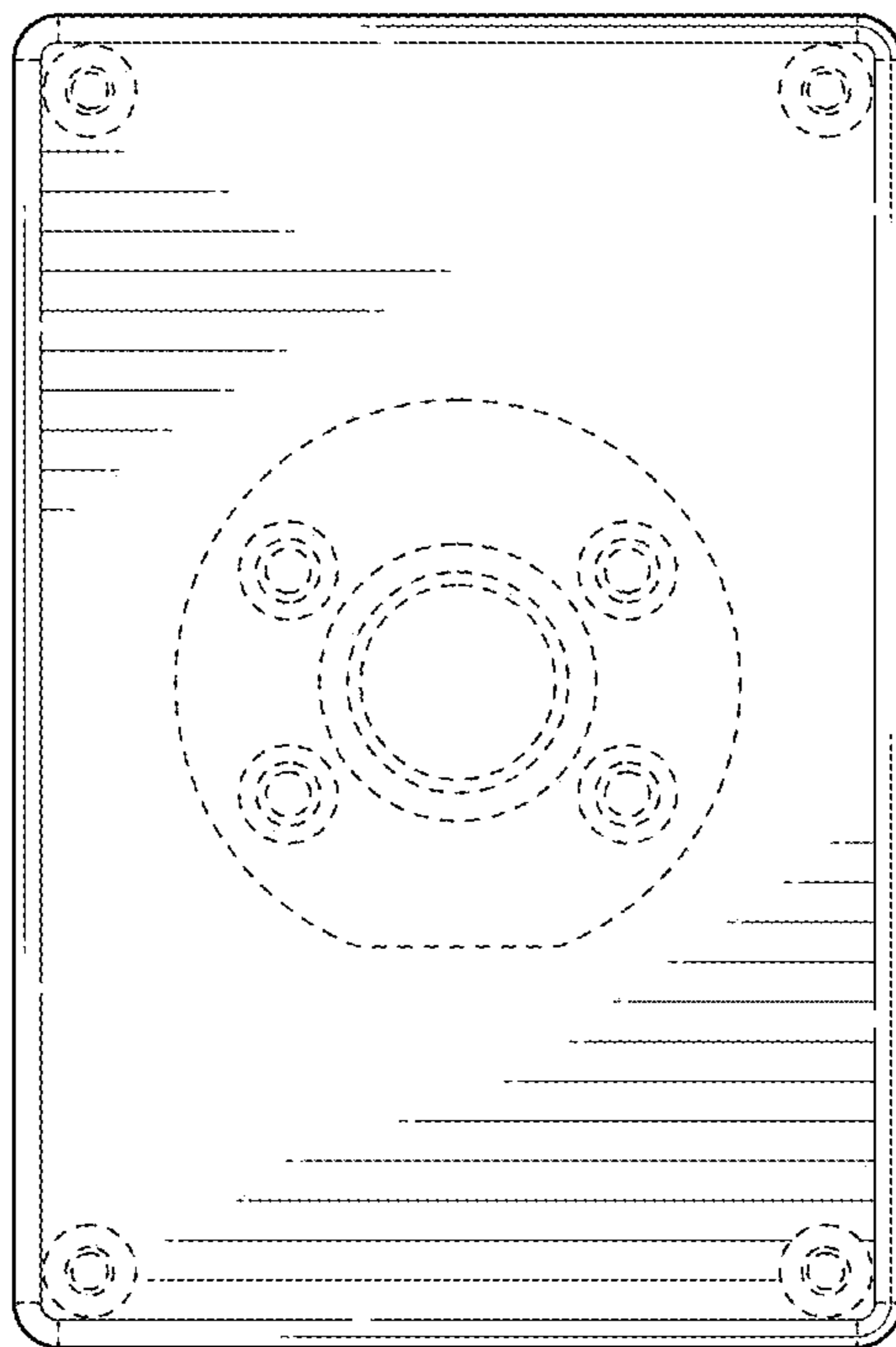


FIG. 2

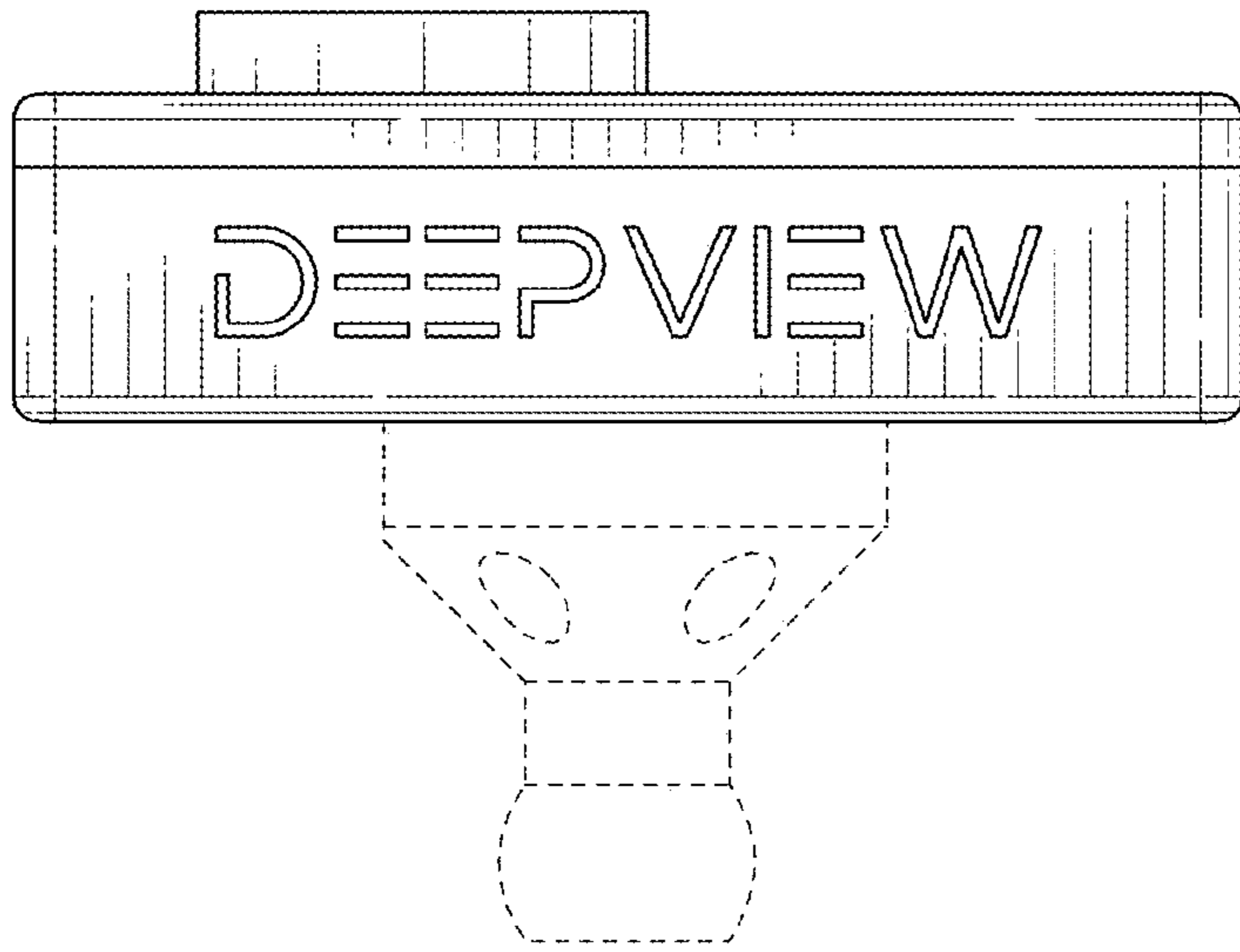


FIG. 3

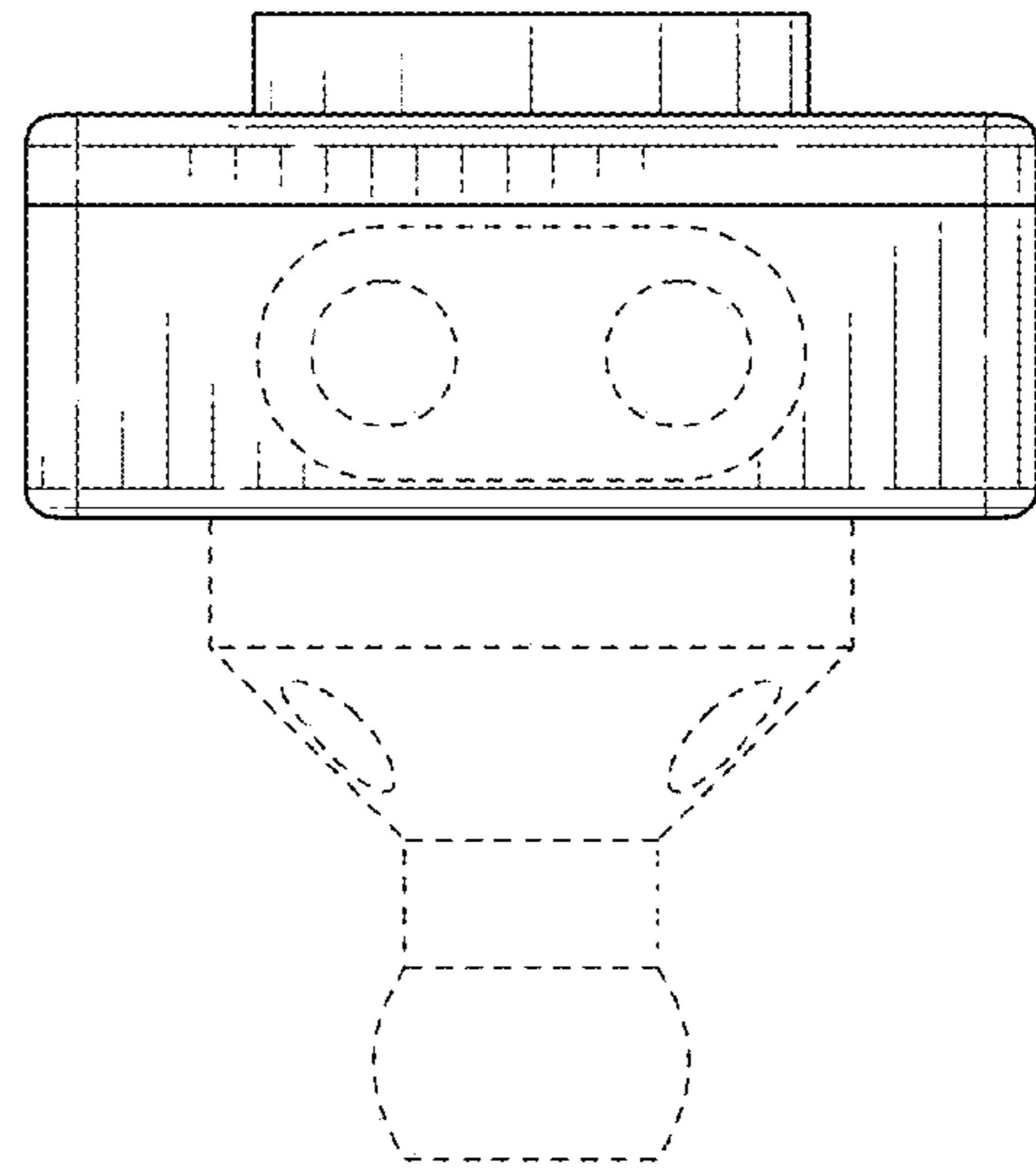


FIG. 4

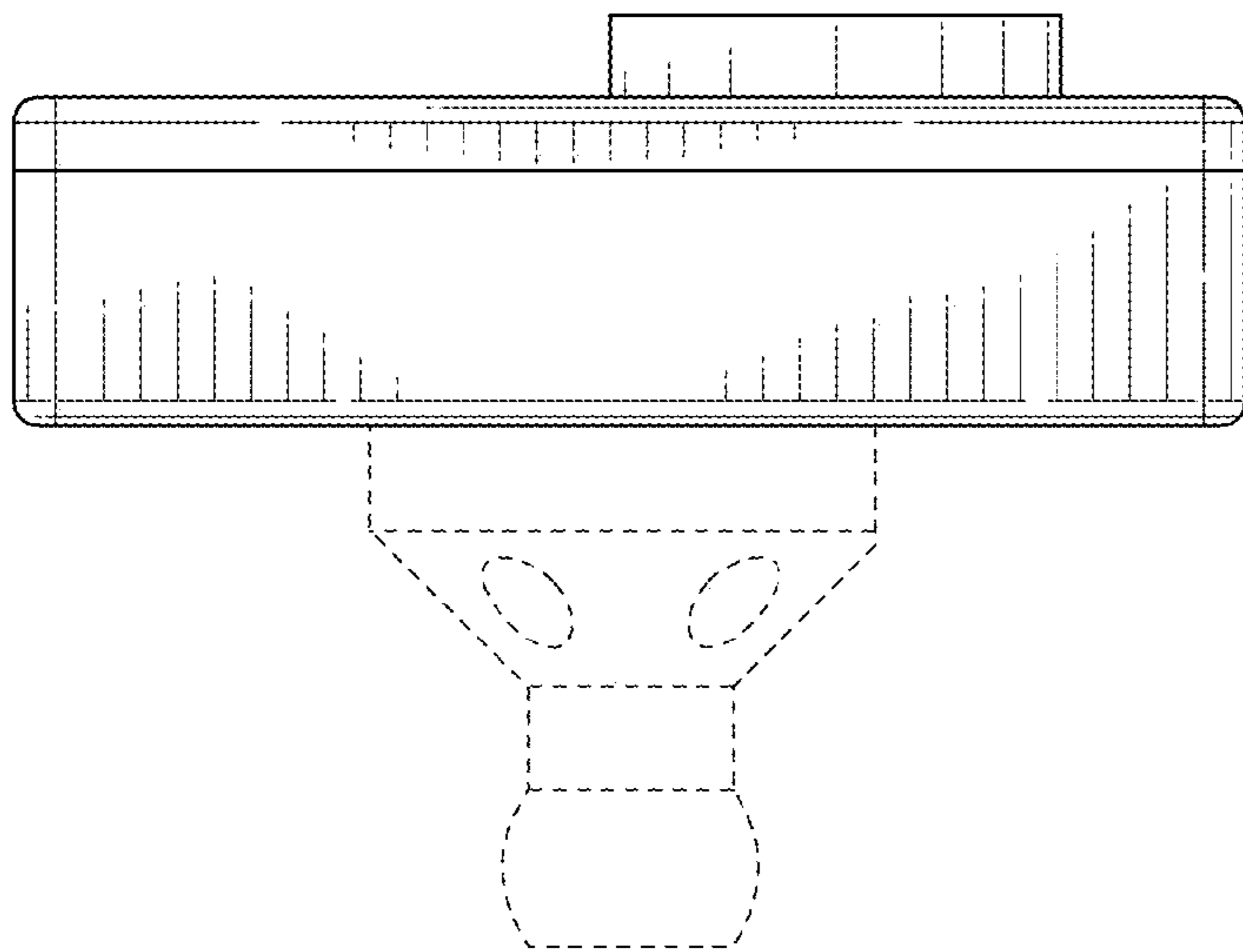


FIG. 5

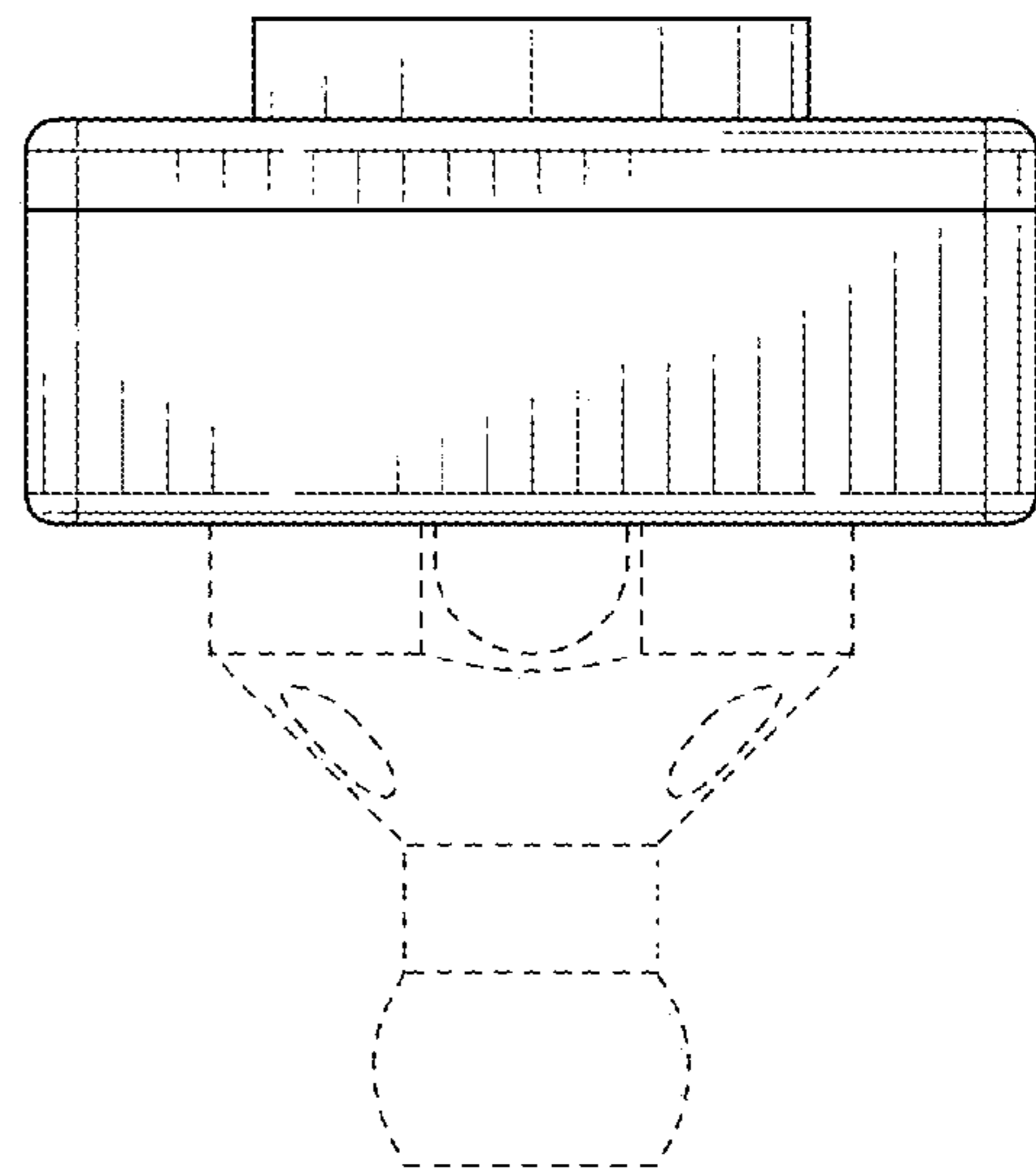


FIG. 6

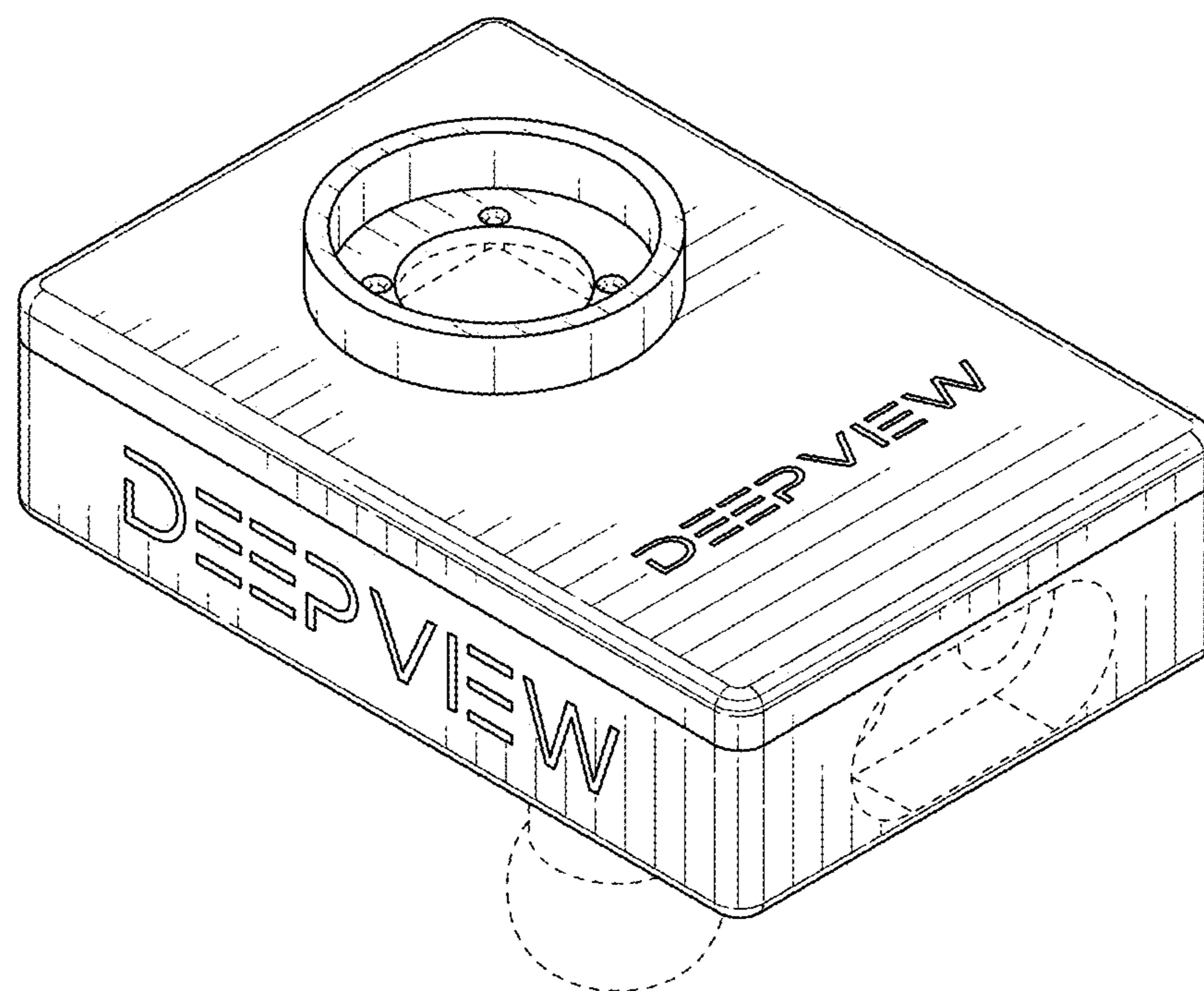


FIG. 7

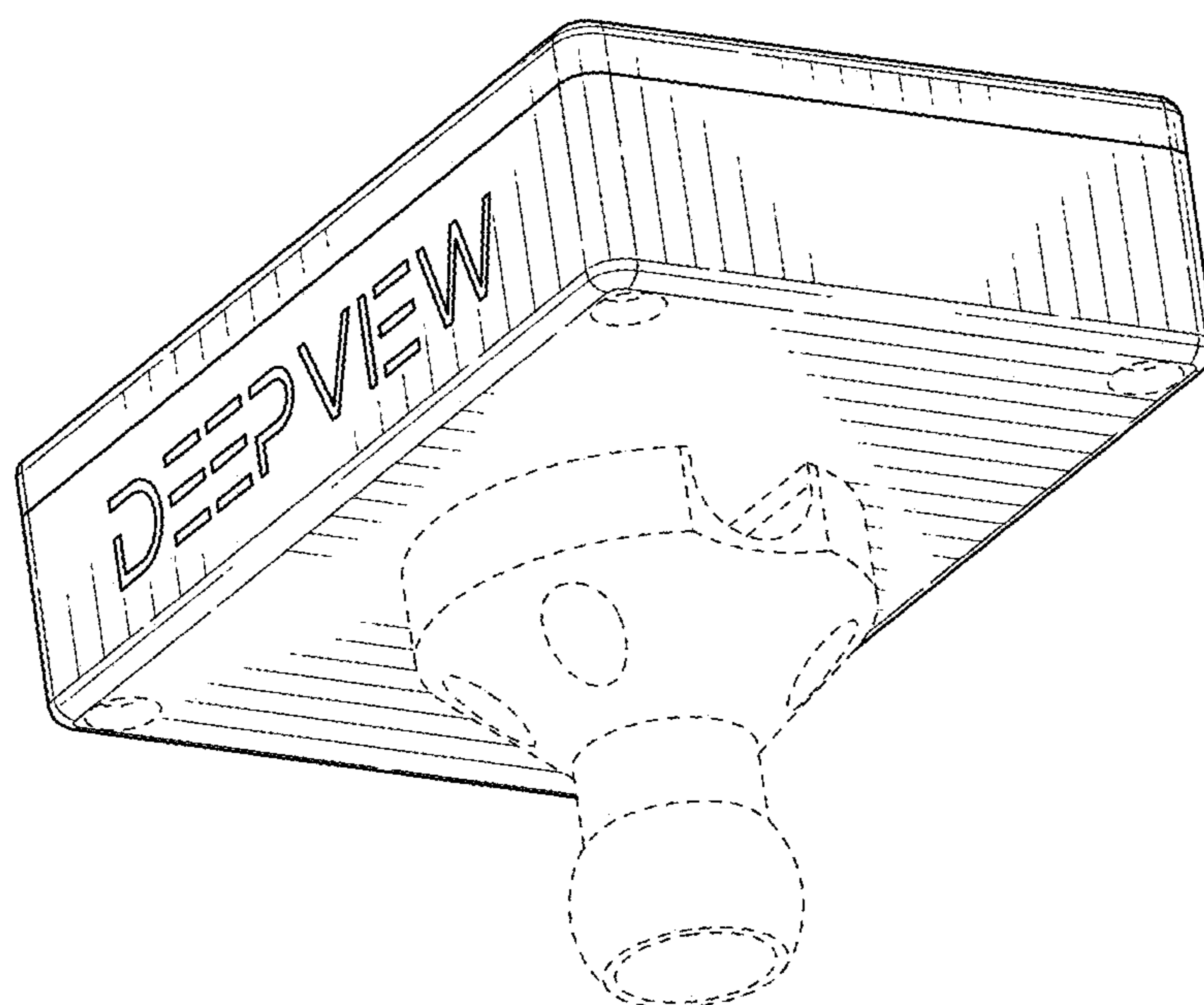


FIG. 8

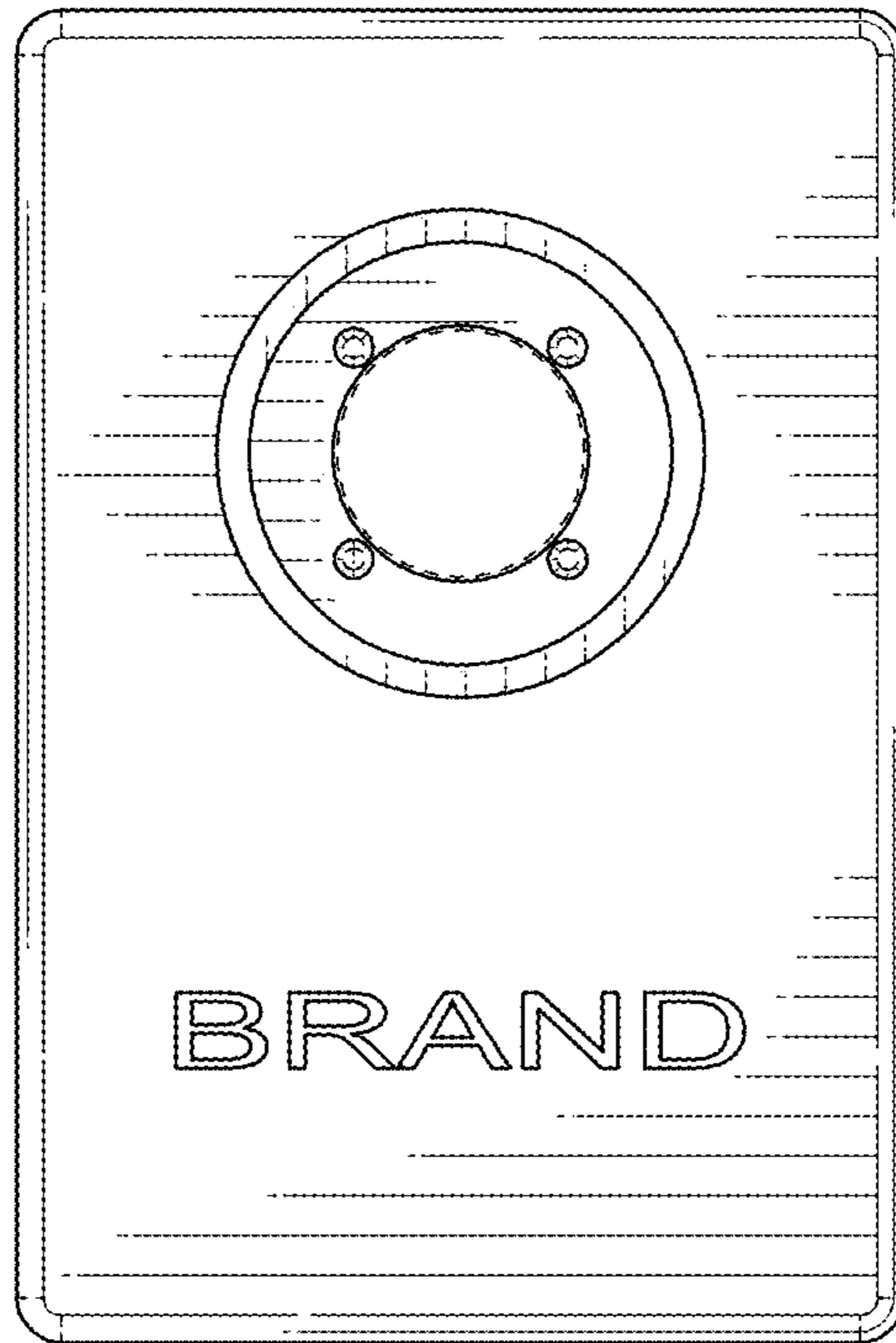


FIG. 9

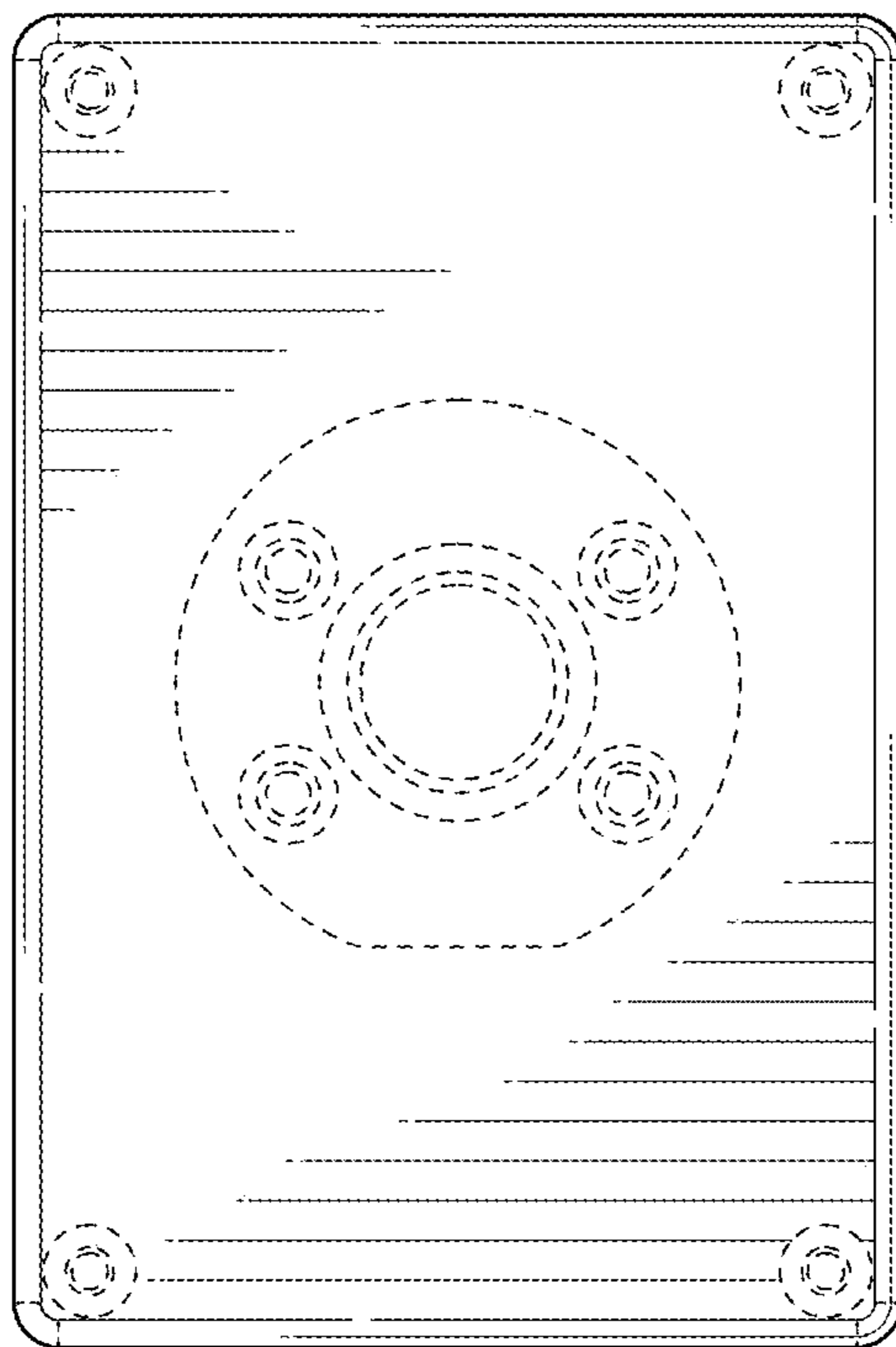


FIG. 10

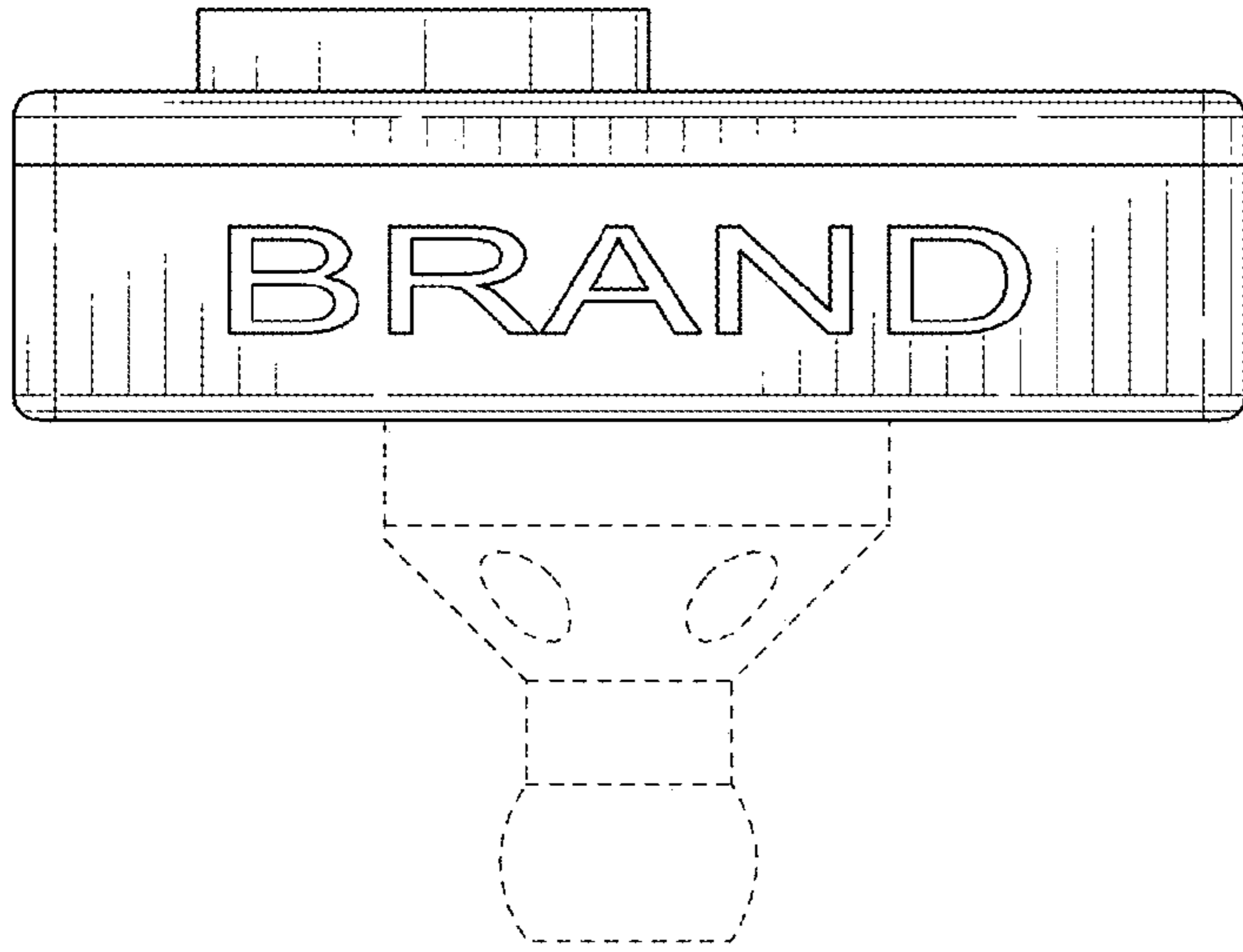


FIG. 11

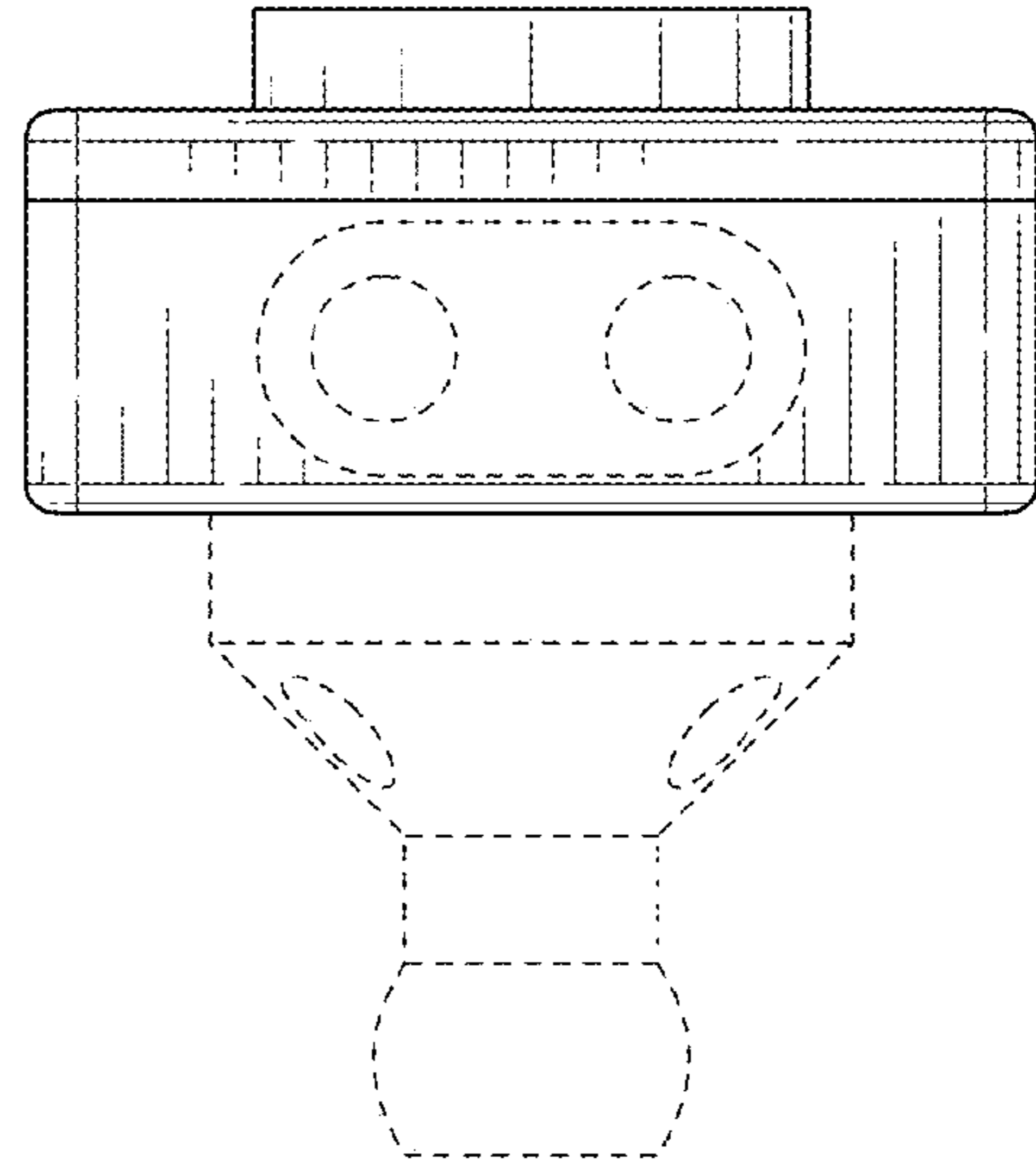


FIG. 12

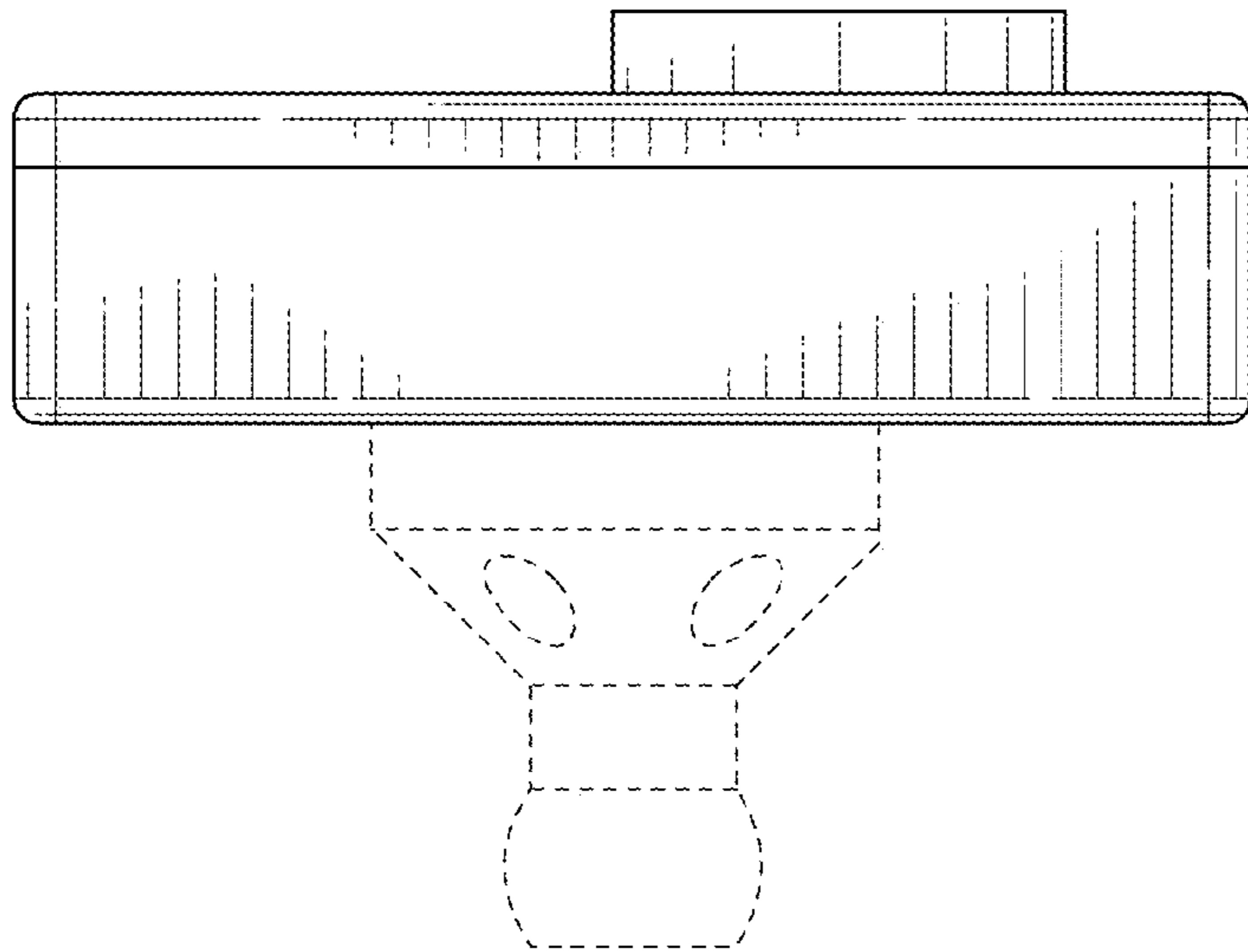


FIG. 13

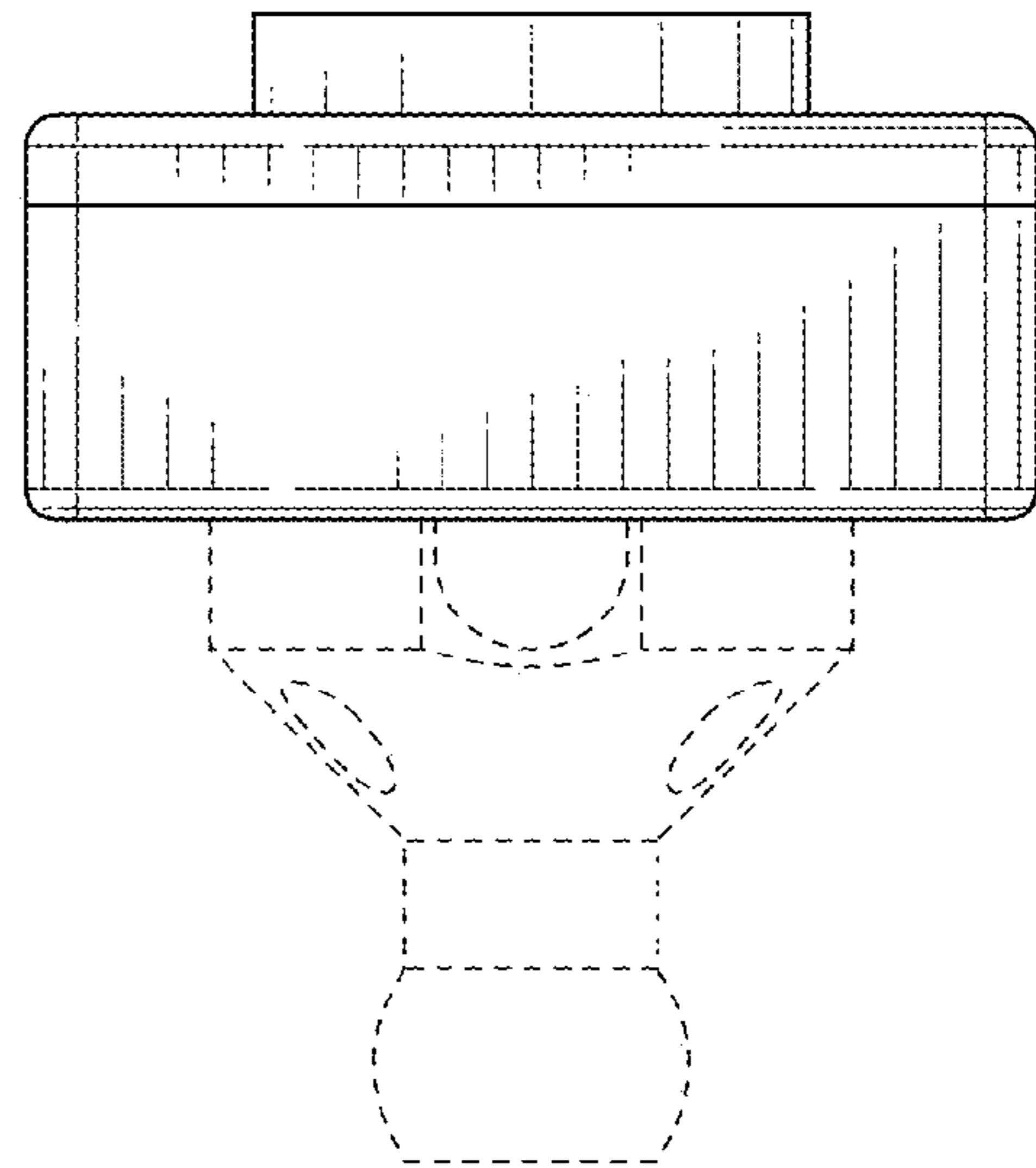


FIG. 14

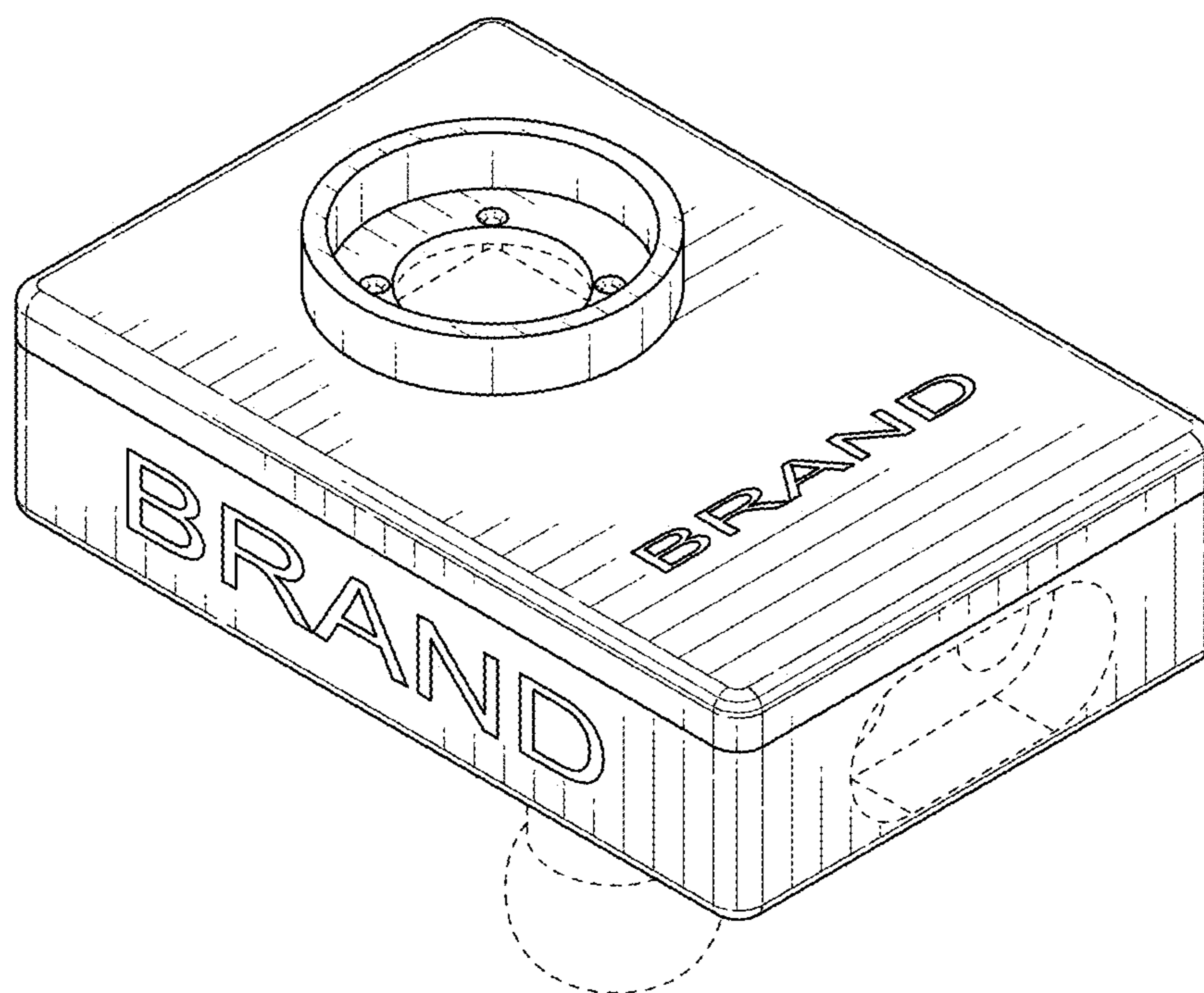


FIG. 15

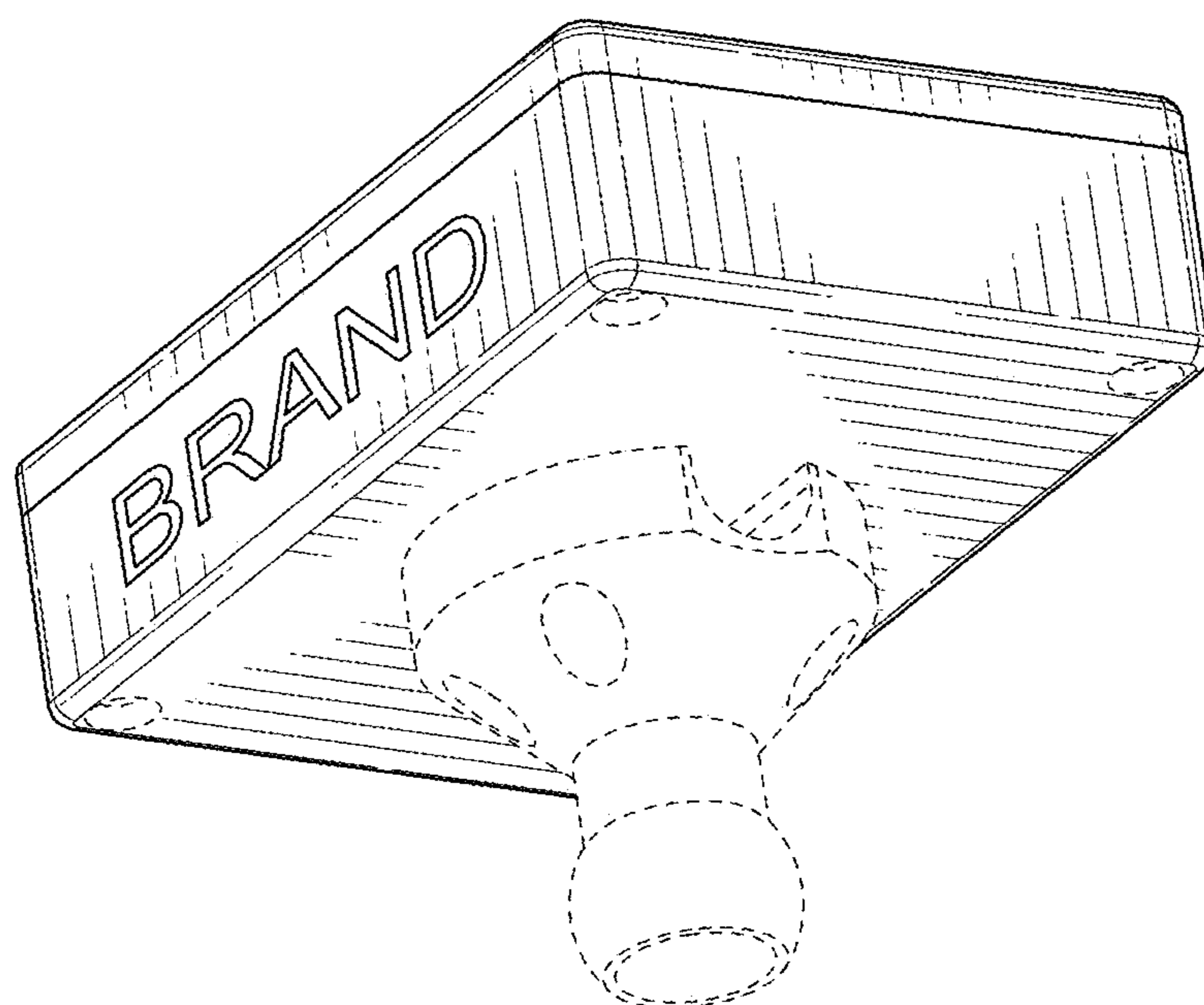


FIG. 16

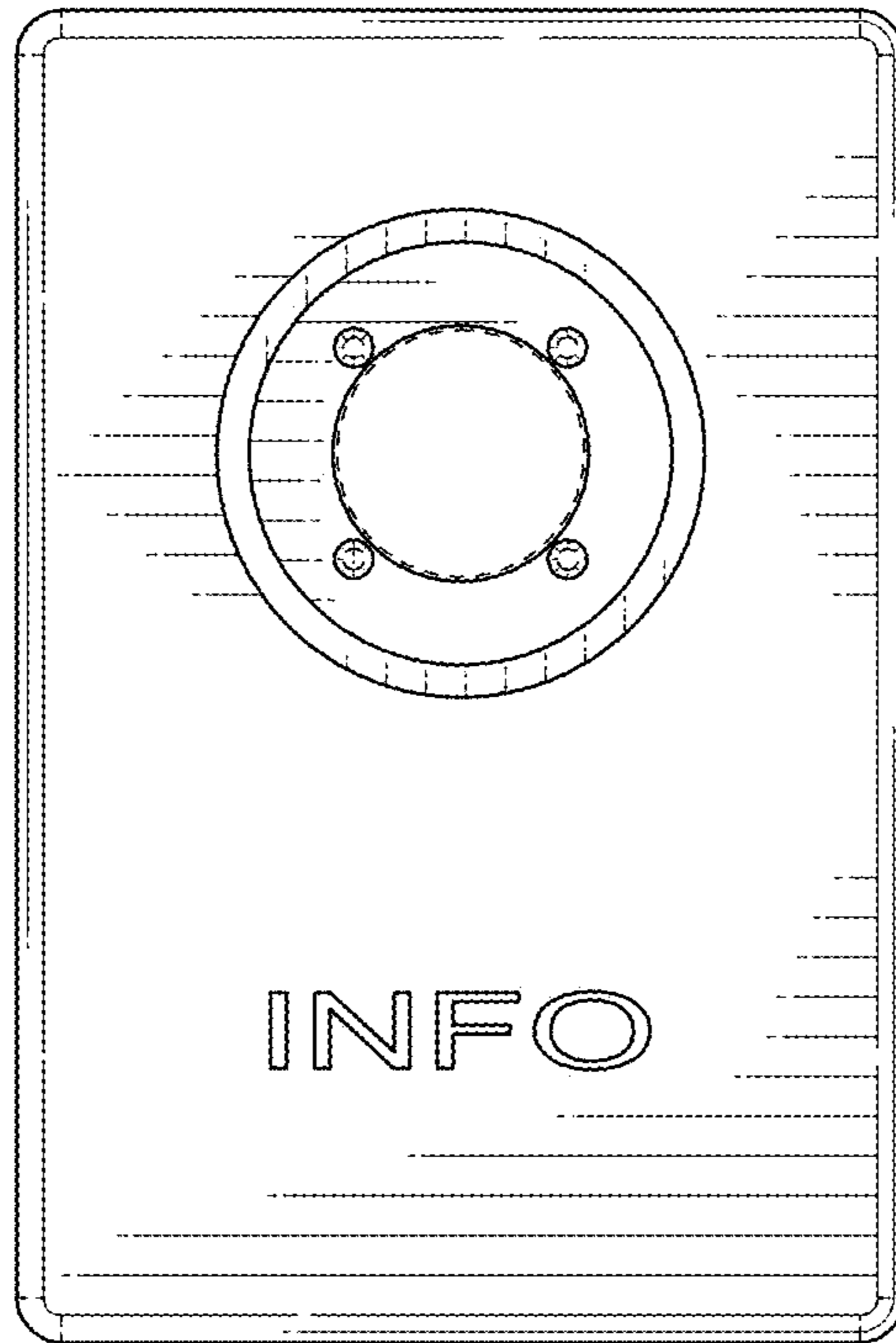


FIG. 17

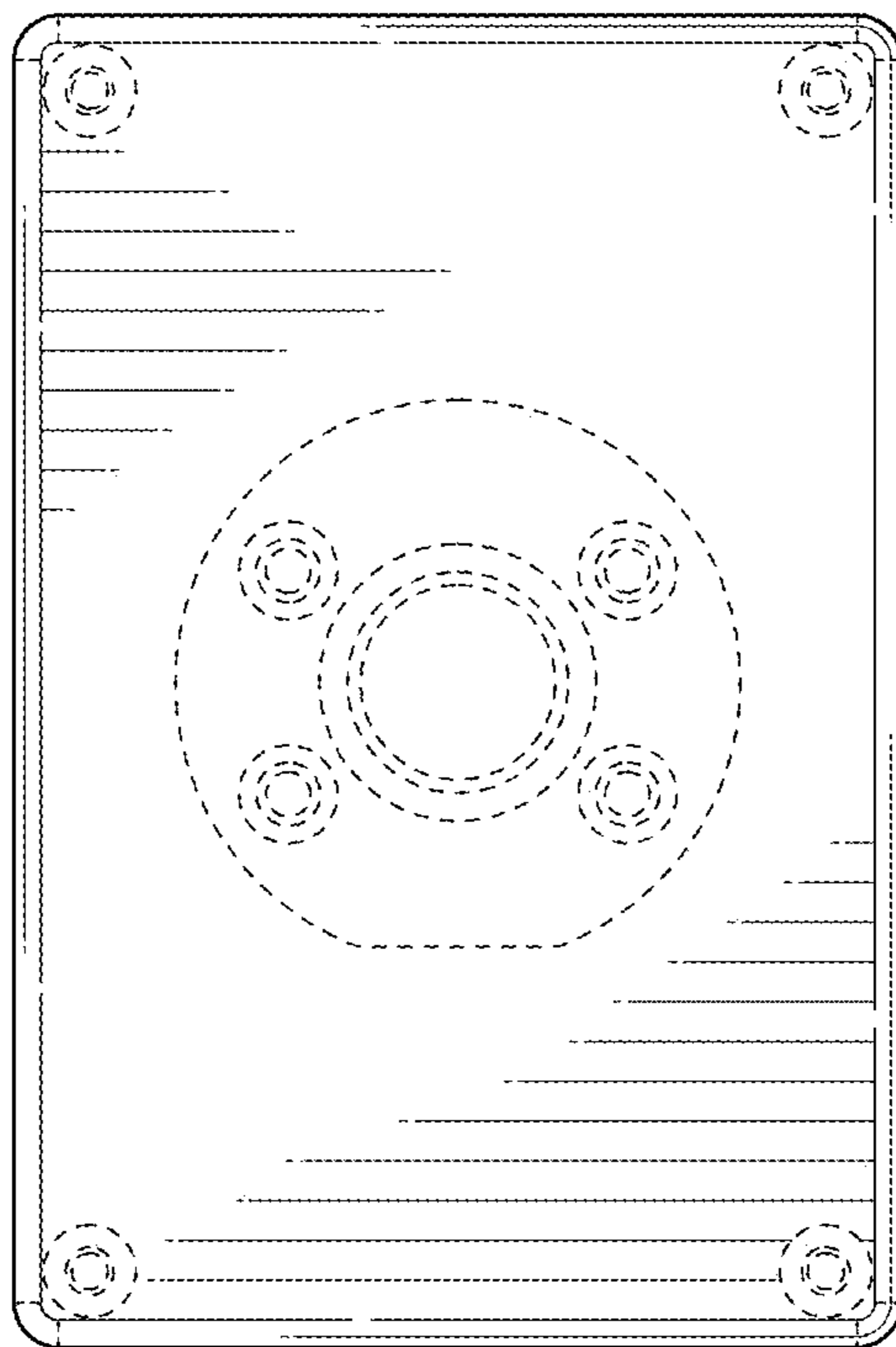


FIG. 18

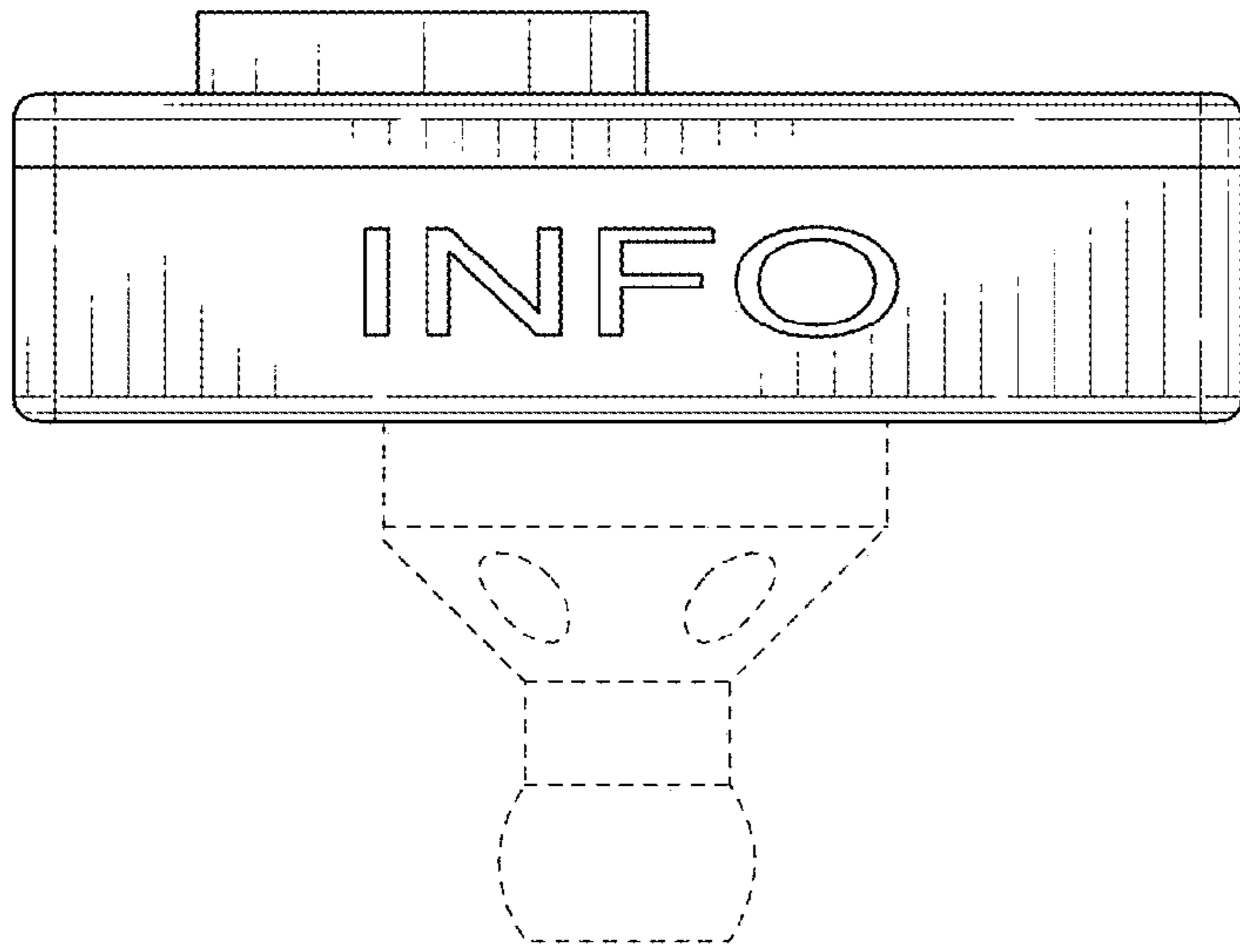


FIG. 19

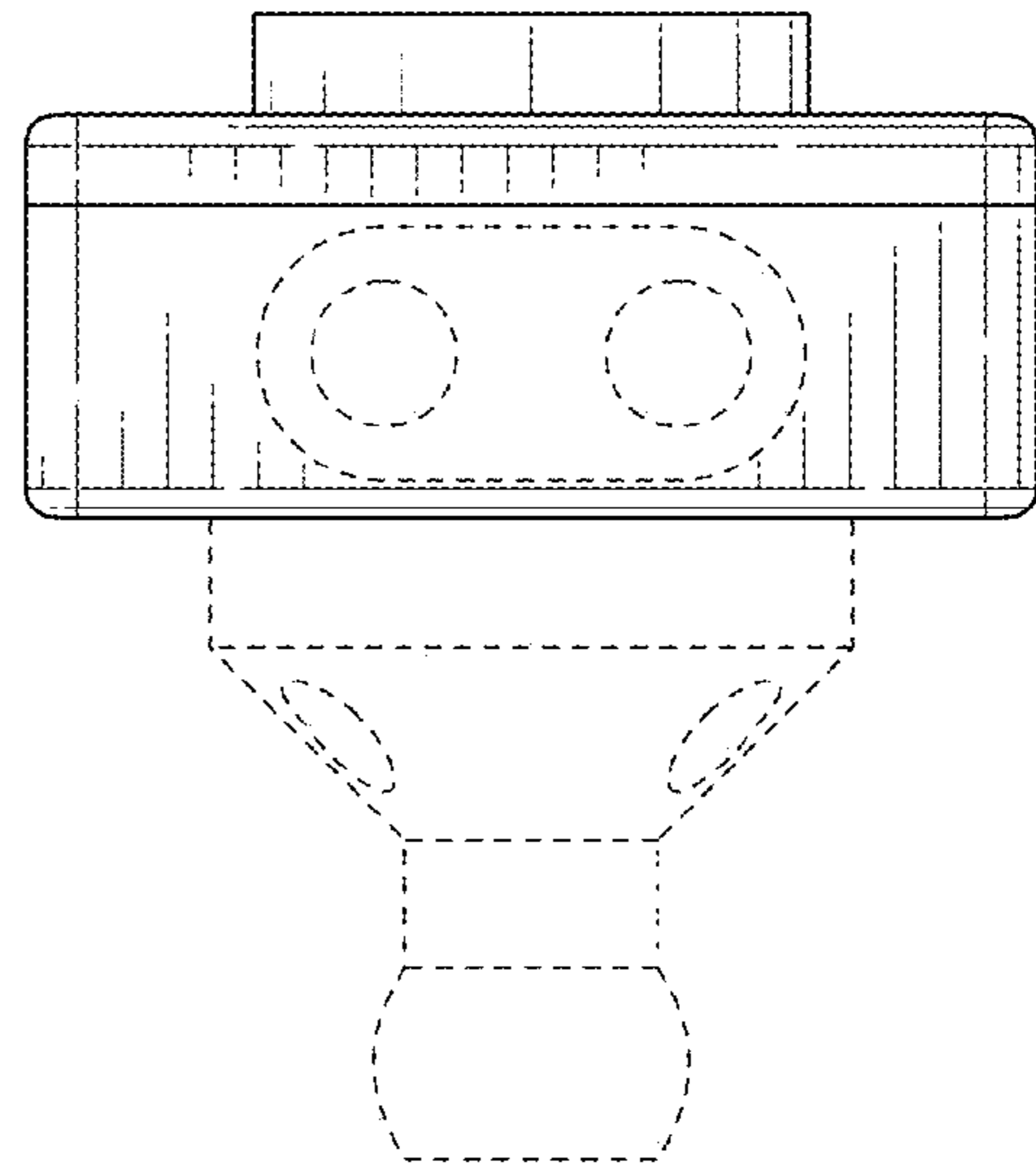


FIG. 20

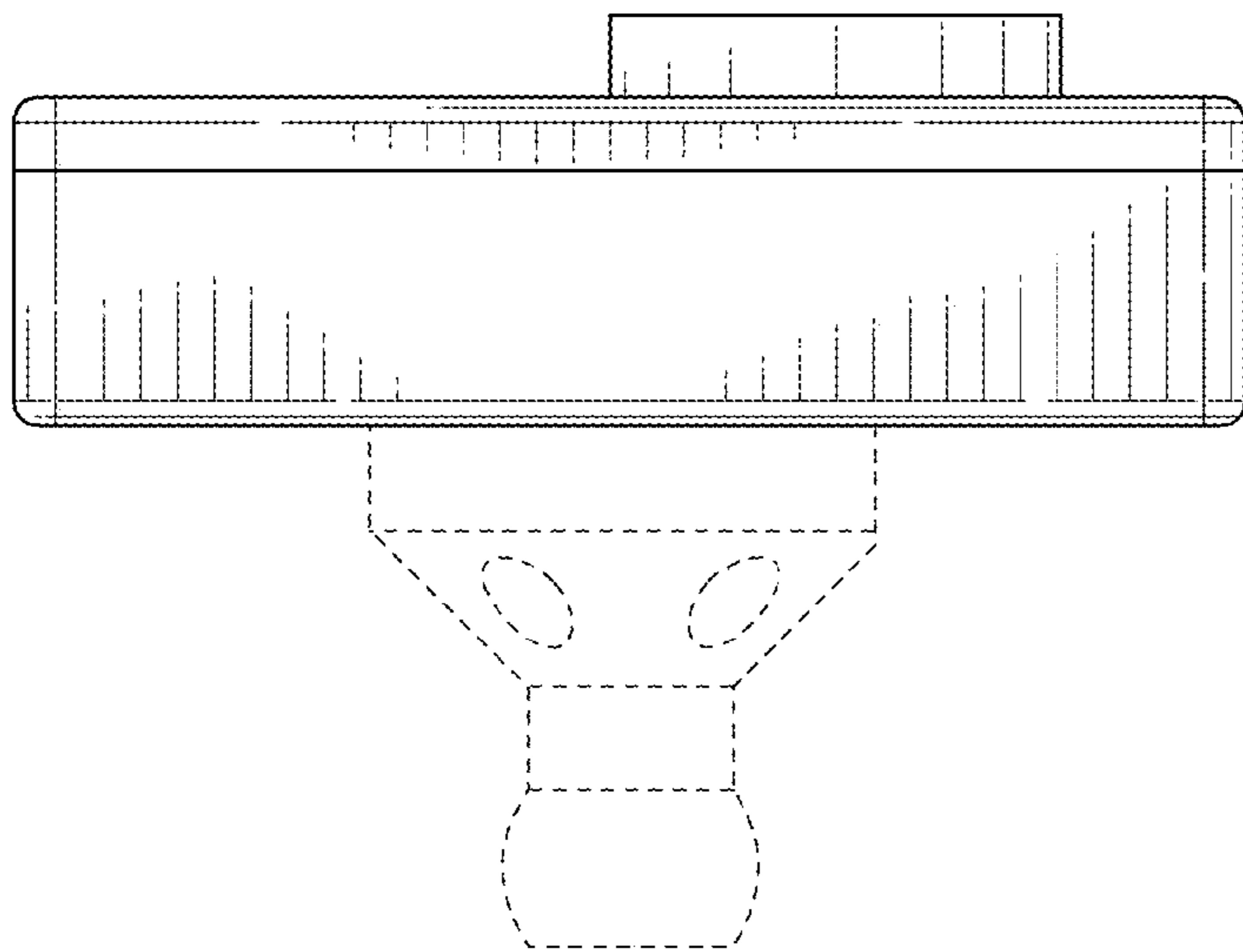


FIG. 21

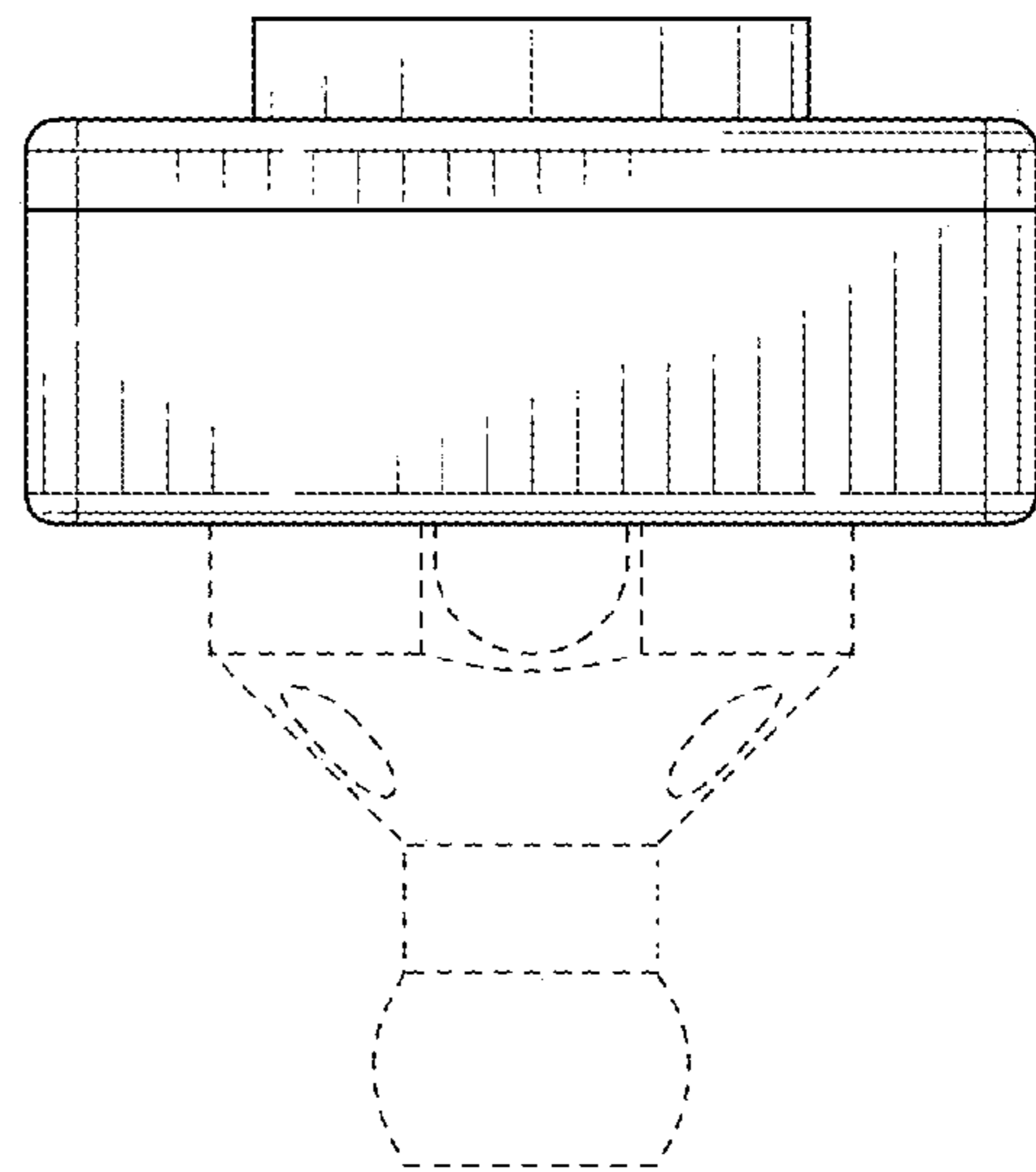


FIG. 22

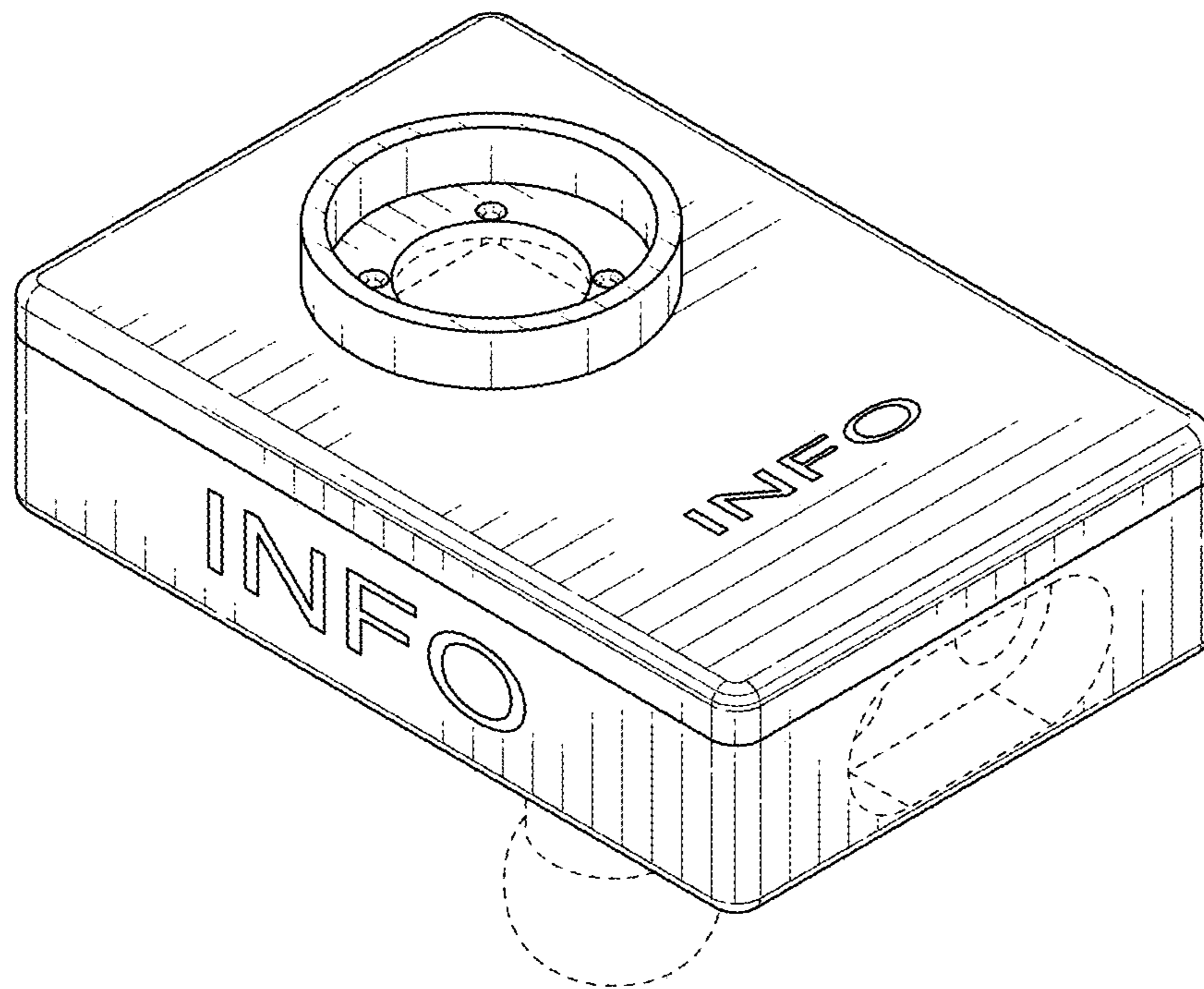


FIG. 23

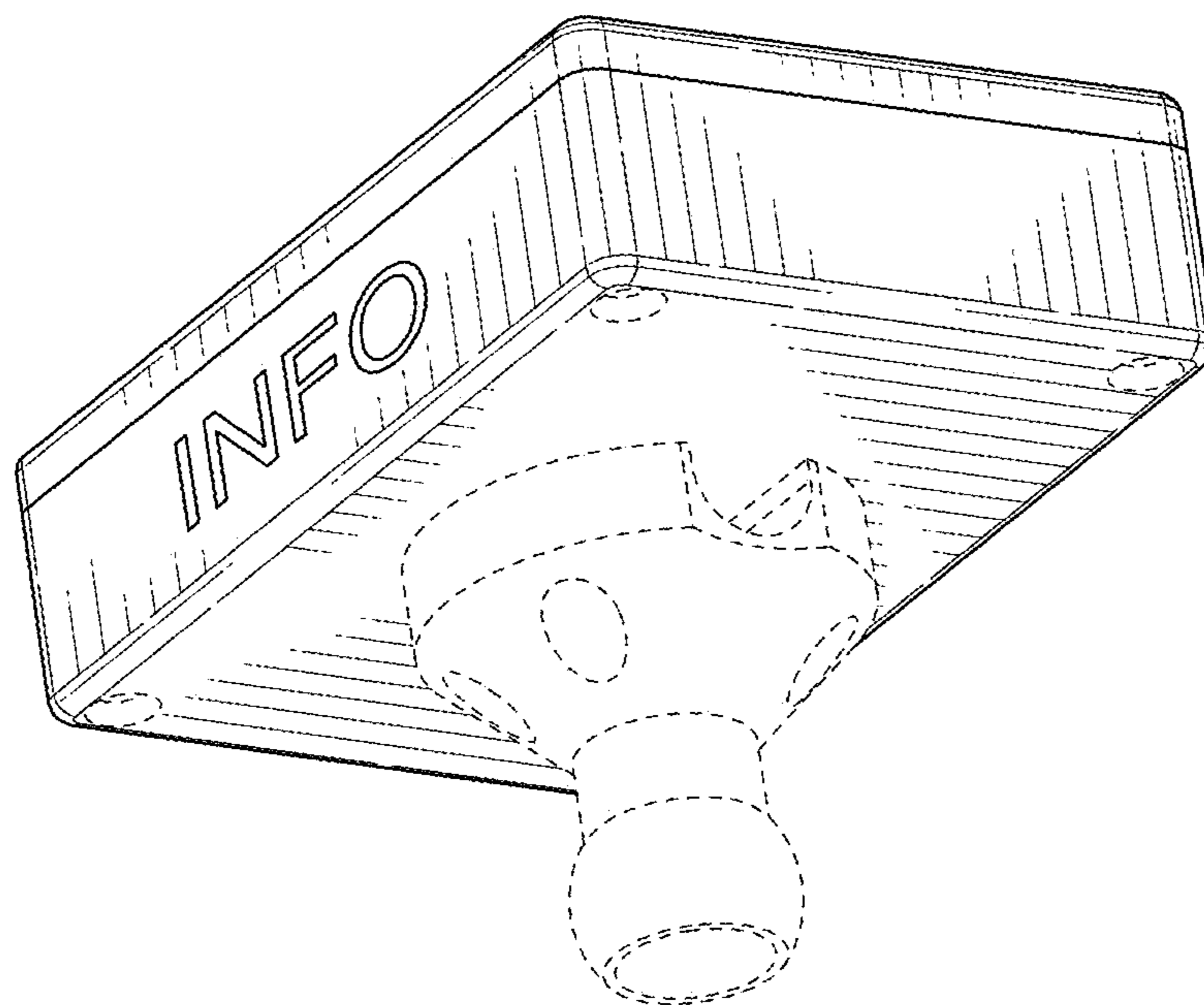


FIG. 24

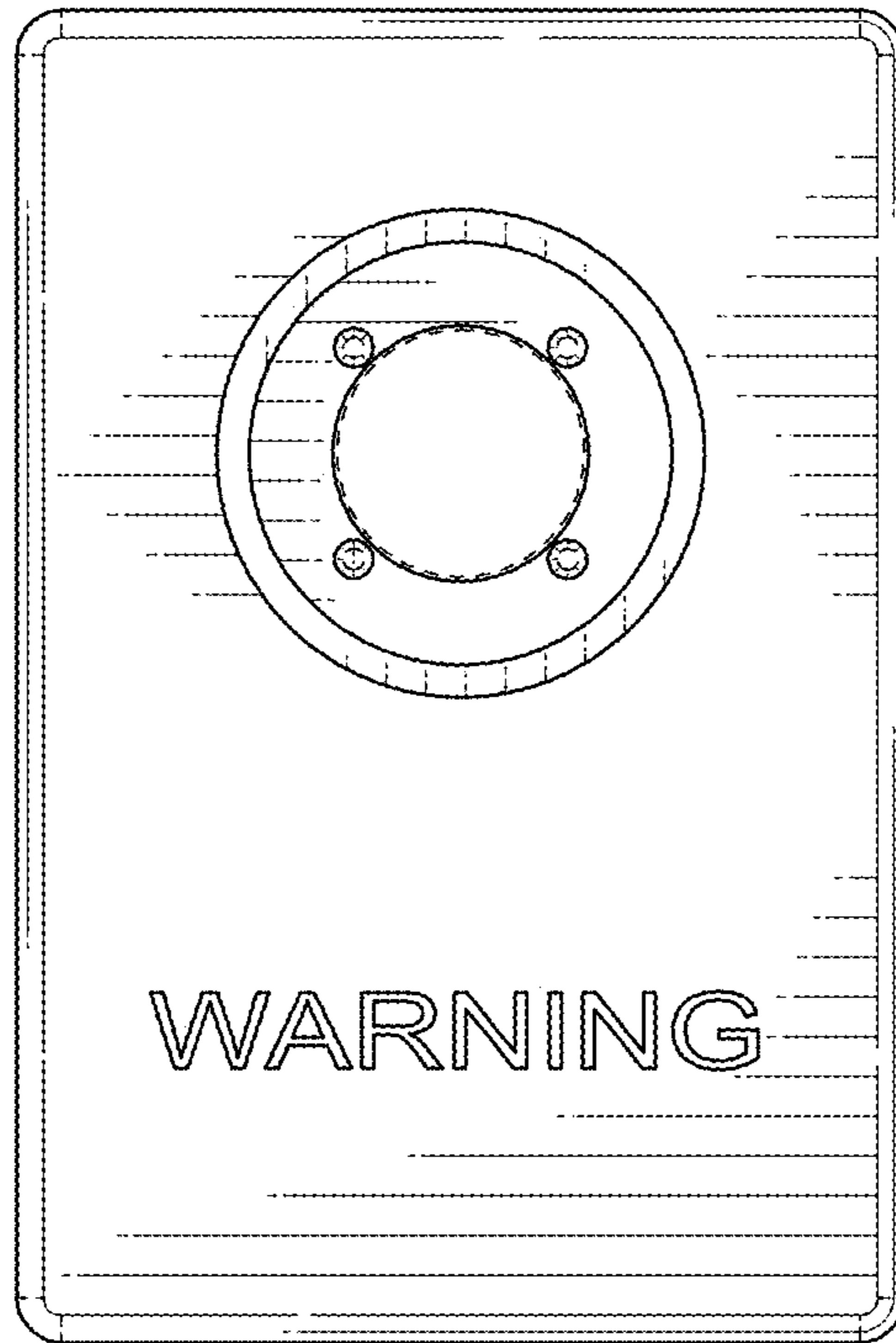


FIG. 25

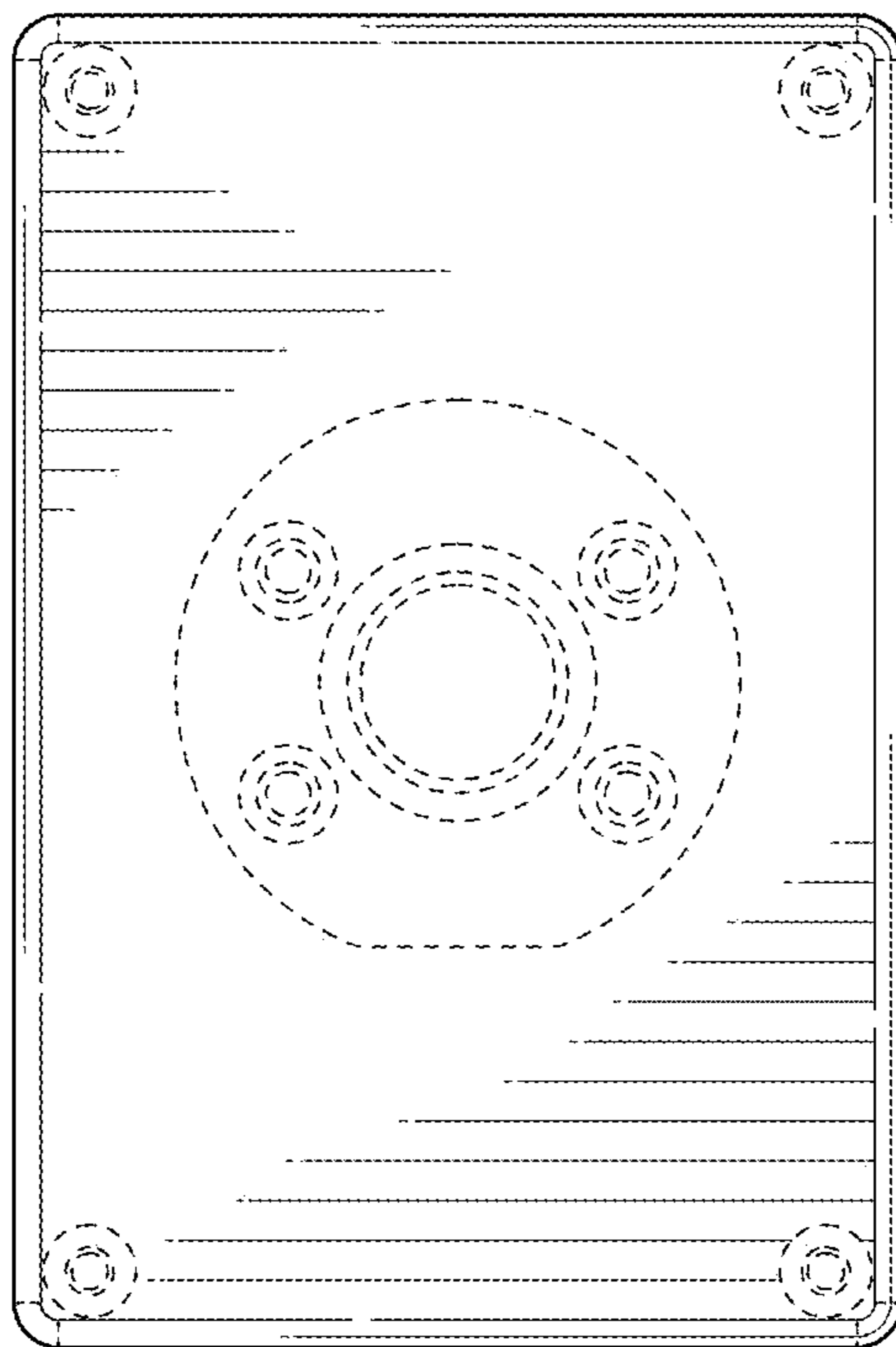


FIG. 26

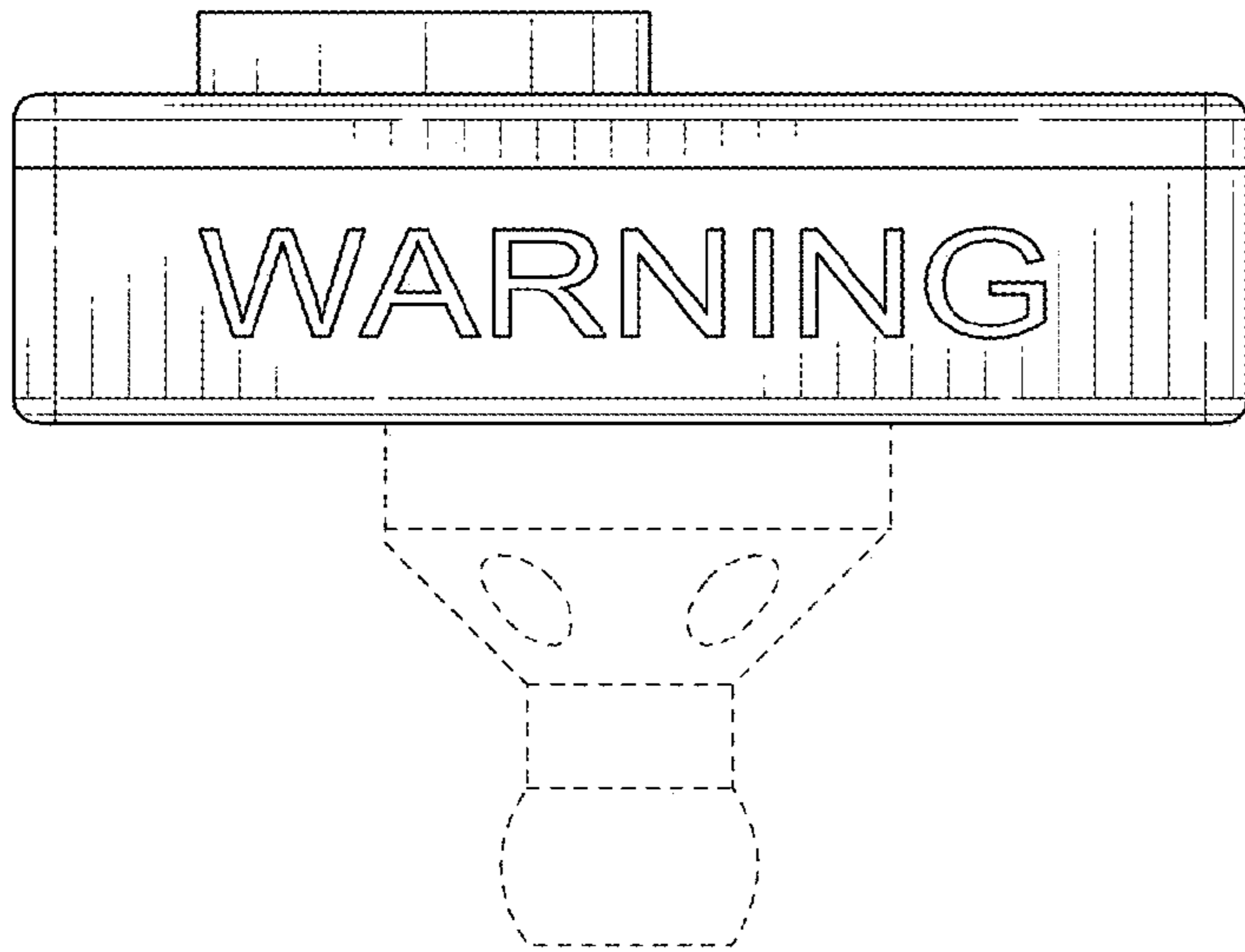


FIG. 27

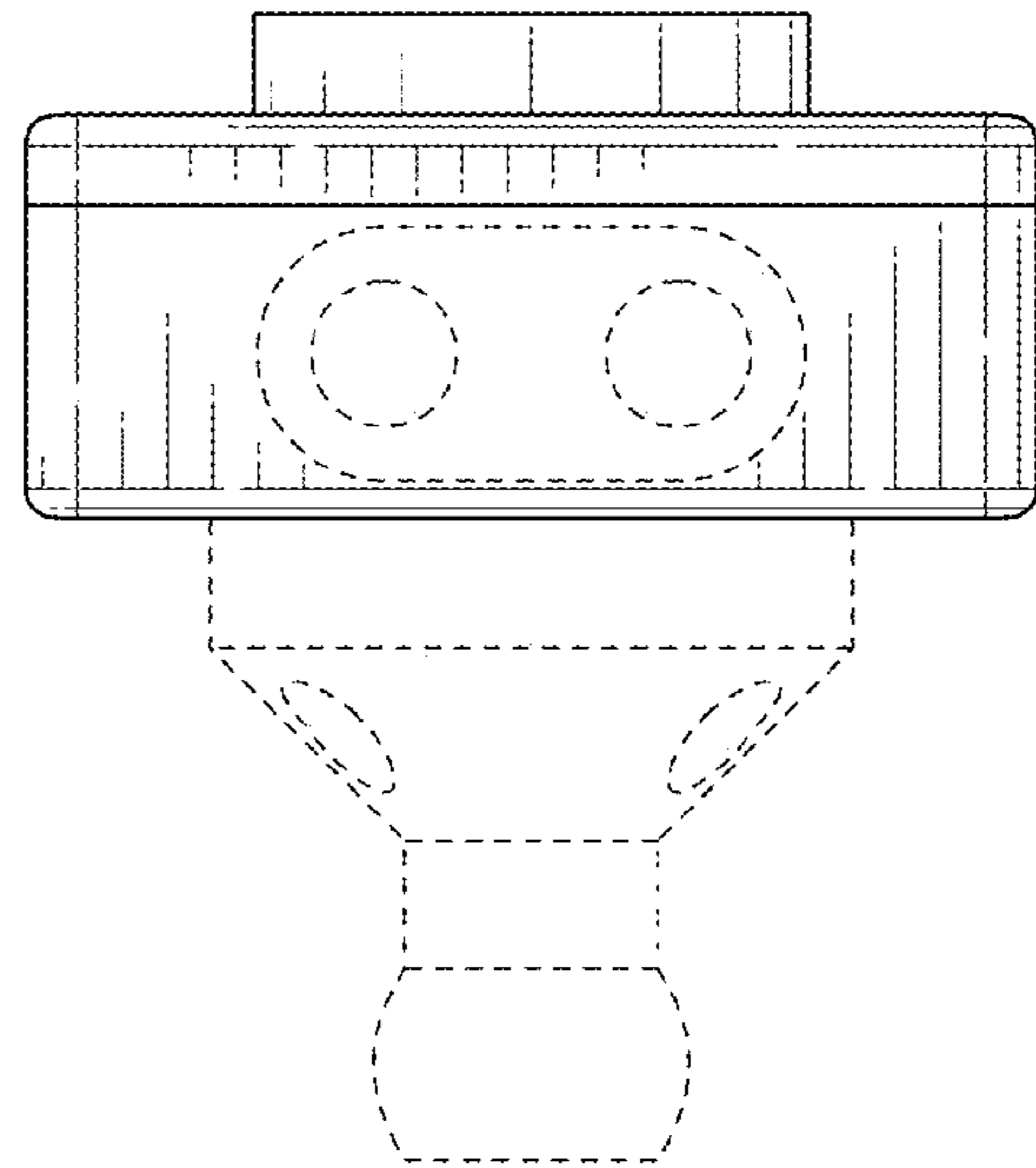


FIG. 28

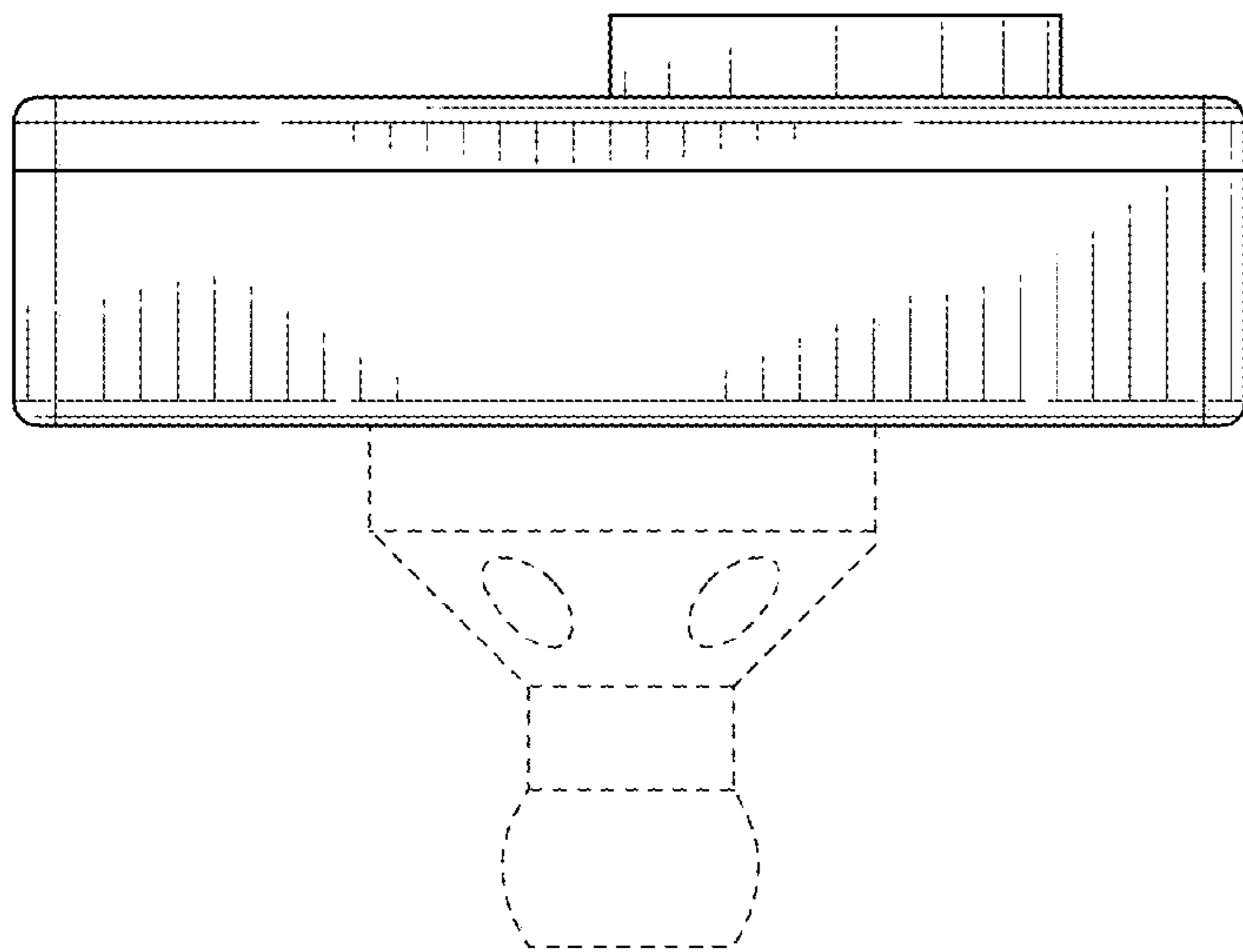


FIG. 29

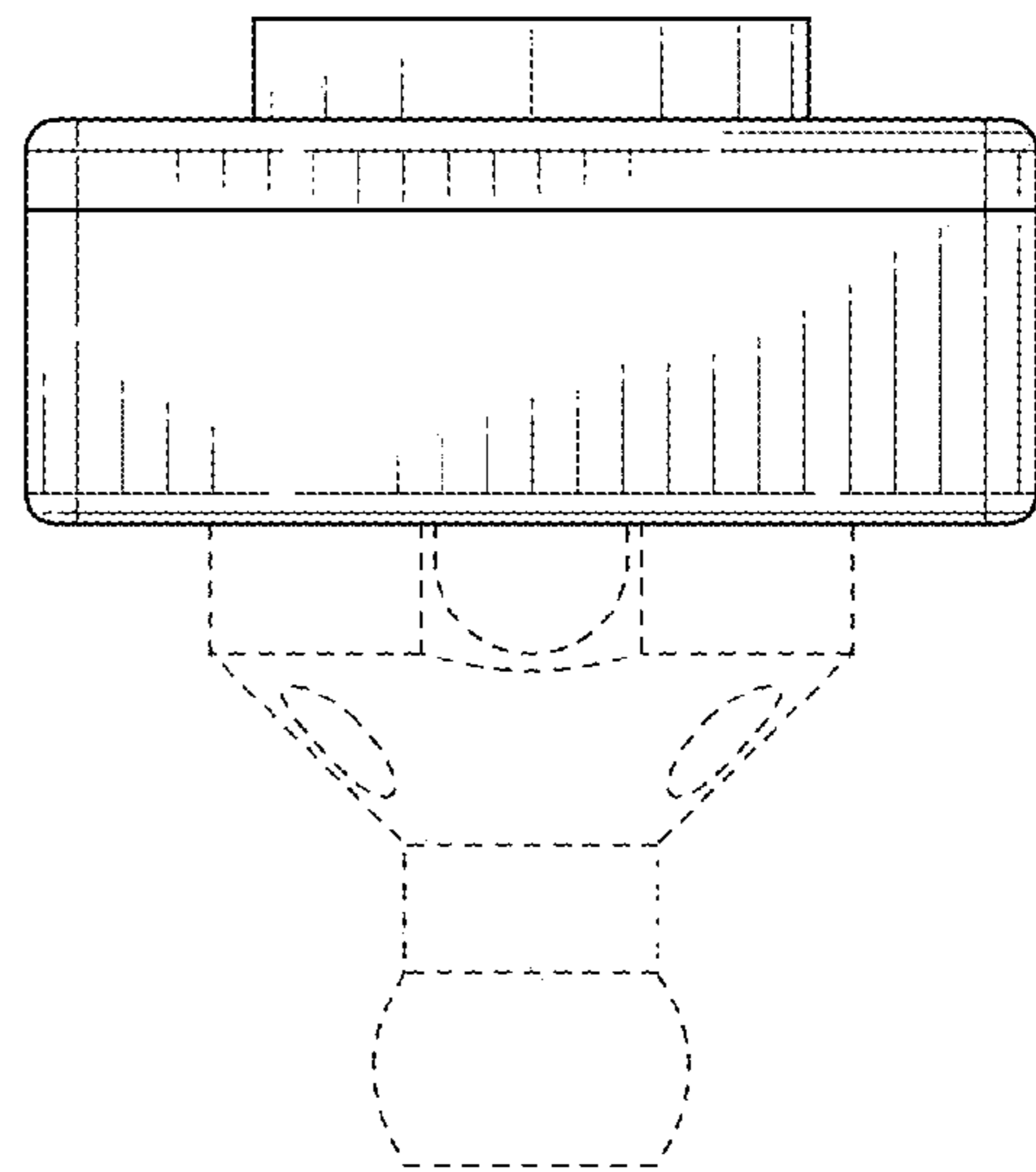


FIG. 30

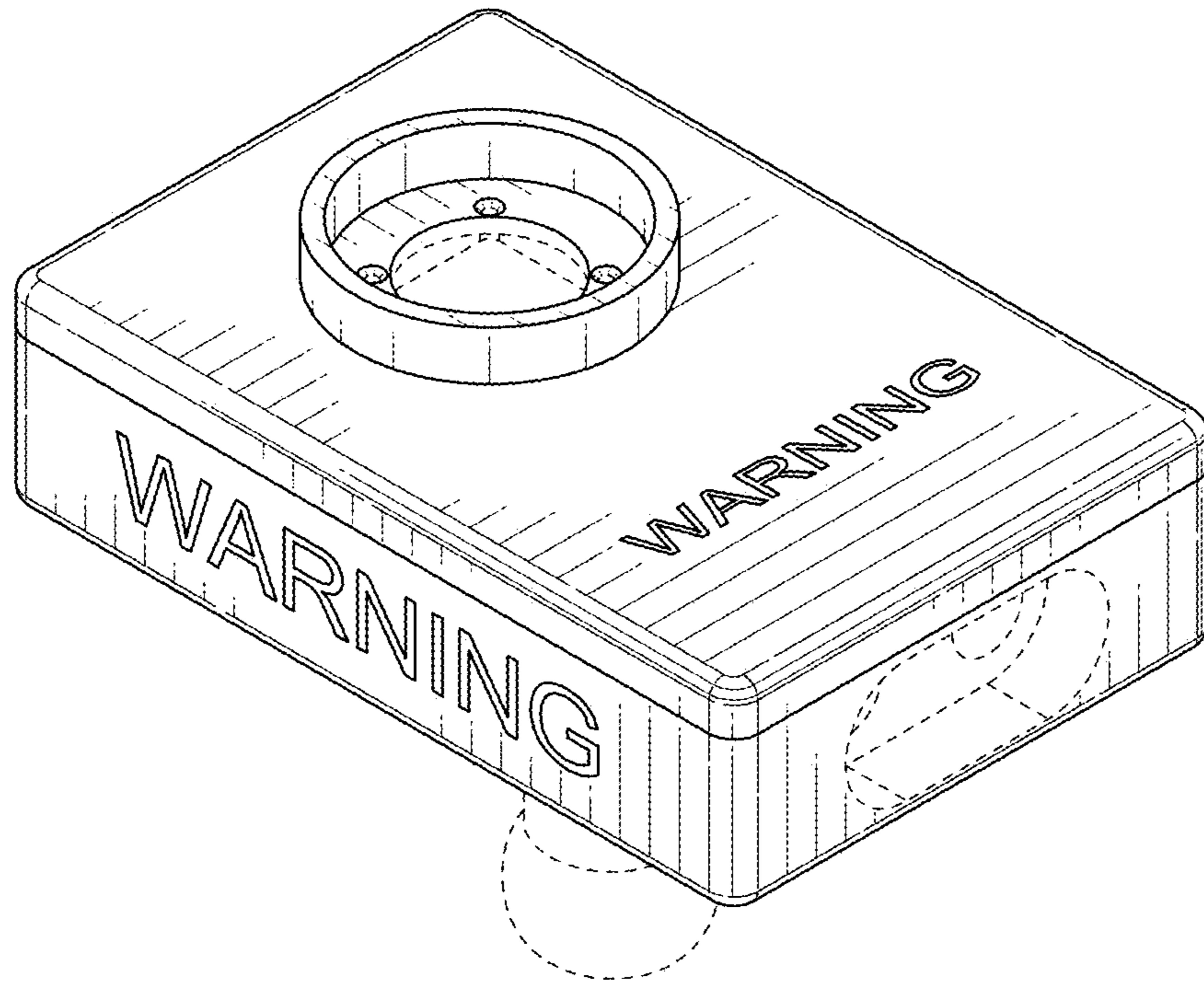


FIG. 31

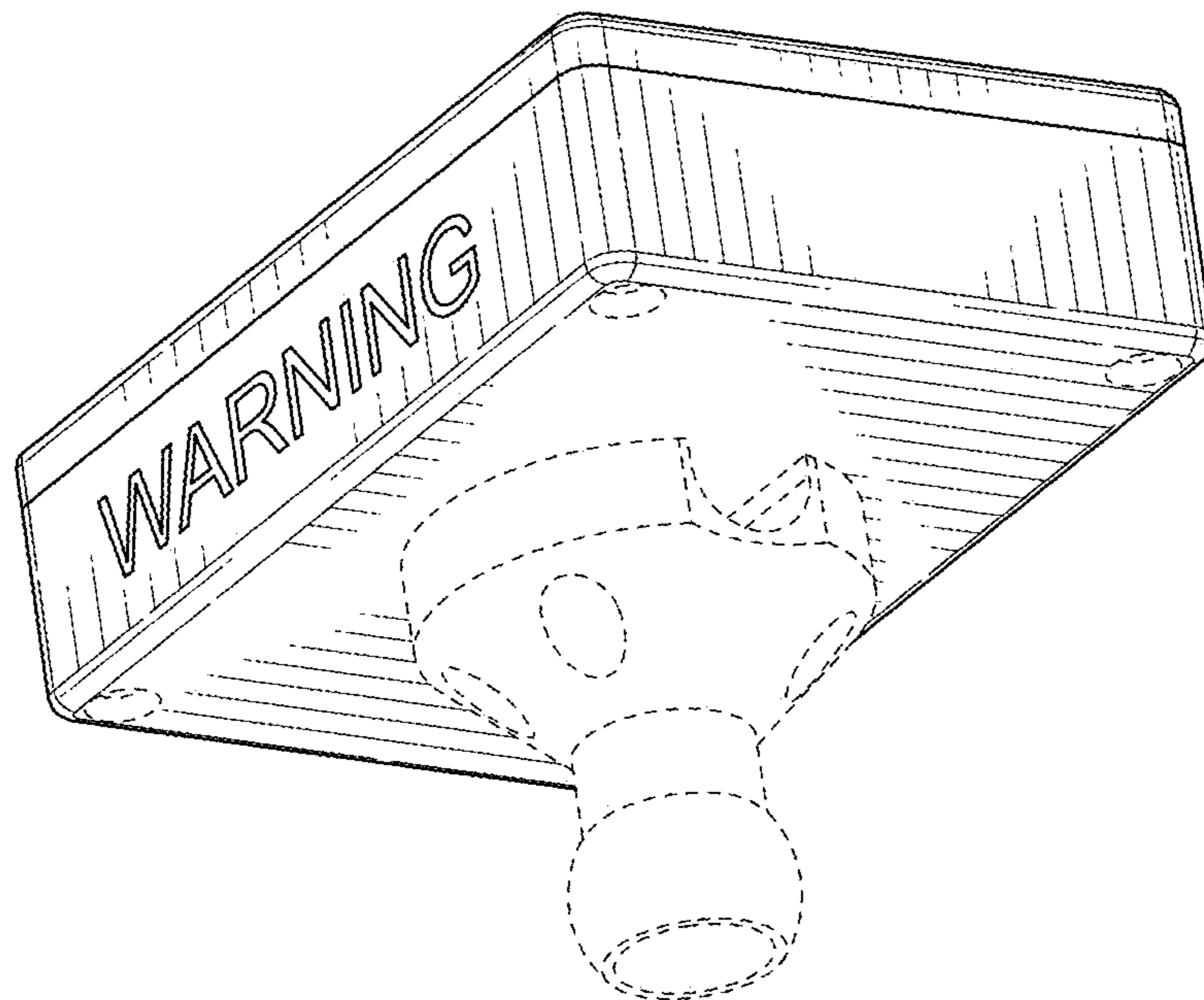


FIG. 32