



US00D983853S

(12) **United States Design Patent** (10) **Patent No.:** **US D983,853 S**  
**Liu** (45) **Date of Patent:** **\*\* Apr. 18, 2023**

(54) **MICROSCOPE STAND**

(71) Applicant: **Shenzhen Andonstar Technology Co., Ltd**, Shenzhen (CN)

(72) Inventor: **Yaodong Liu**, Shenzhen (CN)

(\*\*) Term: **15 Years**

(21) Appl. No.: **29/772,284**

(22) Filed: **Mar. 1, 2021**

(51) **LOC (14) Cl.** ..... **16-06**

(52) **U.S. Cl.**  
USPC ..... **D16/136**

(58) **Field of Classification Search**  
USPC ..... D16/130-137; D21/529; D24/133, 137,  
D24/160

CPC . G02B 3/00; G02B 5/00; G02B 23/16; G02B  
25/02; G02B 25/002

See application file for complete search history.

(56) **References Cited**

**U.S. PATENT DOCUMENTS**

D179,280 S \* 11/1956 Boughton ..... D16/221  
D301,587 S \* 6/1989 Brock ..... D16/131  
5,052,788 A \* 10/1991 Tachibana ..... G02B 23/00  
359/368  
7,382,528 B2 \* 6/2008 Pomerantz ..... G02B 21/0016  
359/368  
D962,321 S \* 8/2022 Jiang ..... D16/131  
D967,223 S \* 10/2022 Schultze ..... D16/131

**FOREIGN PATENT DOCUMENTS**

CN 304946378 \* 12/2018  
CN 306190556 \* 11/2020  
CN 306638601 \* 6/2021

**OTHER PUBLICATIONS**

Amazon Koolerton Micscope Stand with 2 Fill Lights, earliest date available Apr. 4, 2022, [online], [site visited Nov. 4, 2022]. Avail-

able via Internet, <URL:https://www.amazon.com/dp/B07BFC SXLS?\_encoding=UTF8&ref\_cm\_sw\_r\_cp\_ud\_dp\_W5ZGP6ES1296Q0Z65PED&th=1> (Year: 2022).\*  
AstcamPan Microscope Stand, earliest pictured Dec. 5, 2021, [online], [site visited Nov. 4, 2022]. Available via Internet, <URL:https://microscope-cameras.com/product/apcamstandk1> (Year: 2021).\*  
Youtube Andostar AD5M301 UB HDMI digital microscope, earliest pictured Dec. 14, 2017, [online], [site visited Nov. 4, 2022]. Available via Internet, <URL:https://www.youtube.com/watch?v=WHbGnrXey10> (Year: 2017).\*  
Google Search, [online], [site visited Nov. 4, 2022]. Available via Internet, <URL:https://www.google.com/search?q=microscope+stand&rlz=1C1GCEA\_enUS1001US1001&source=lnms&tbn=isch&sa=X&ved=2ahUKEwj7zK6zx5T7%E2%80%A6> (Year: 2022).\*

\* cited by examiner

*Primary Examiner* — Sanjeev Paul  
*Assistant Examiner* — Breana Copeland  
(74) *Attorney, Agent, or Firm* — Rumit Ranjit Kanakia

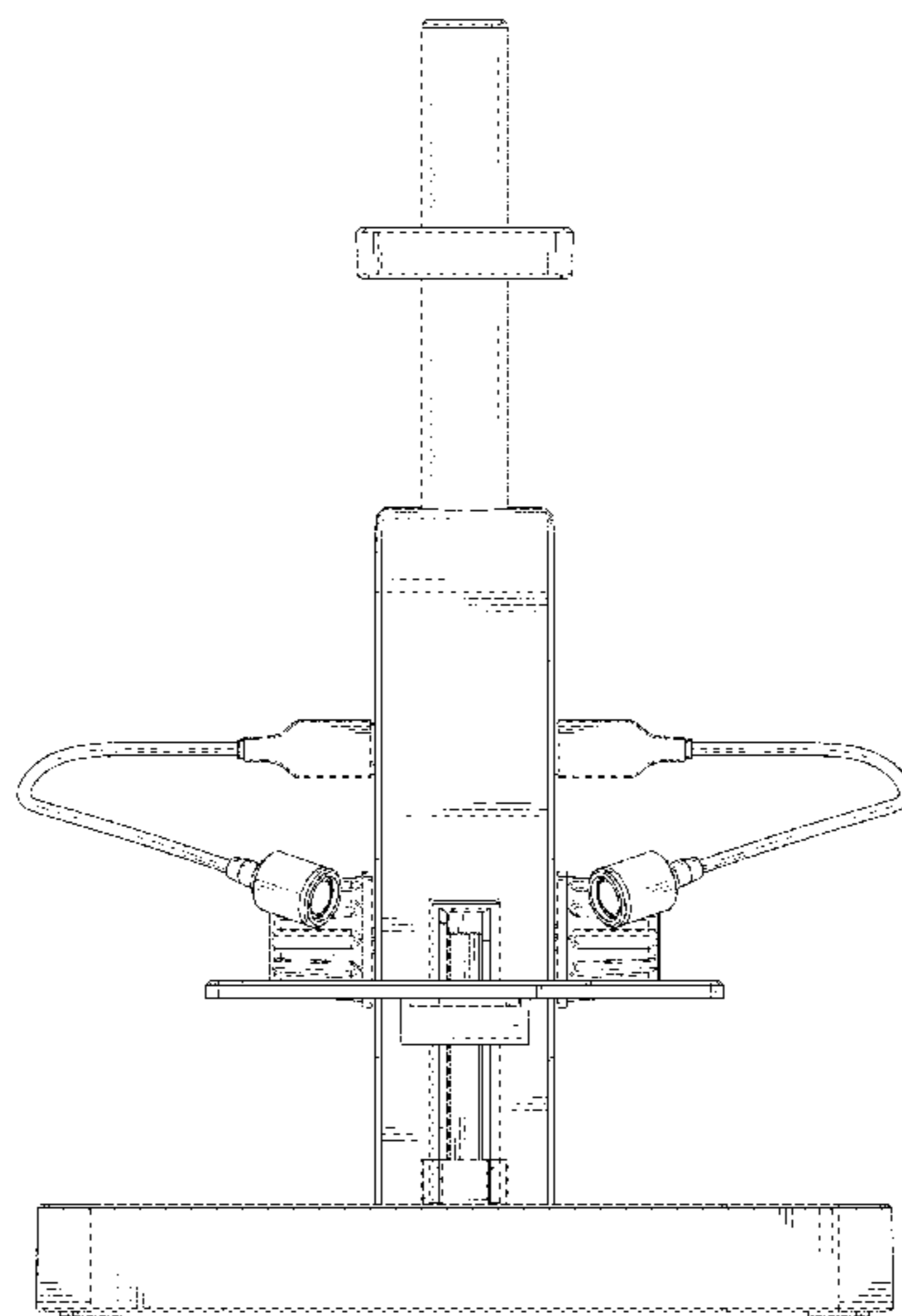
(57) **CLAIM**

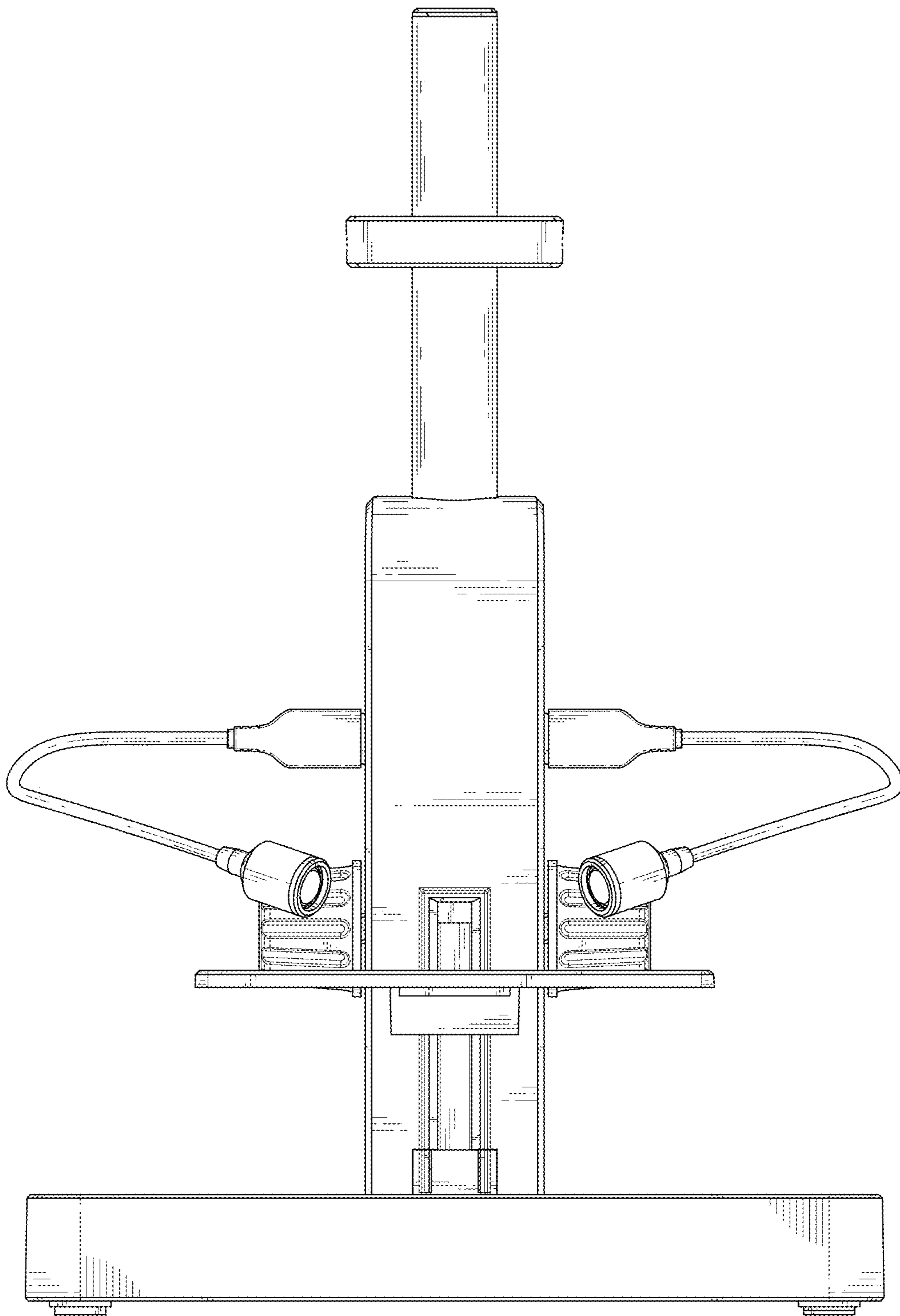
The ornamental design for a microscope stand, as shown and described.

**DESCRIPTION**

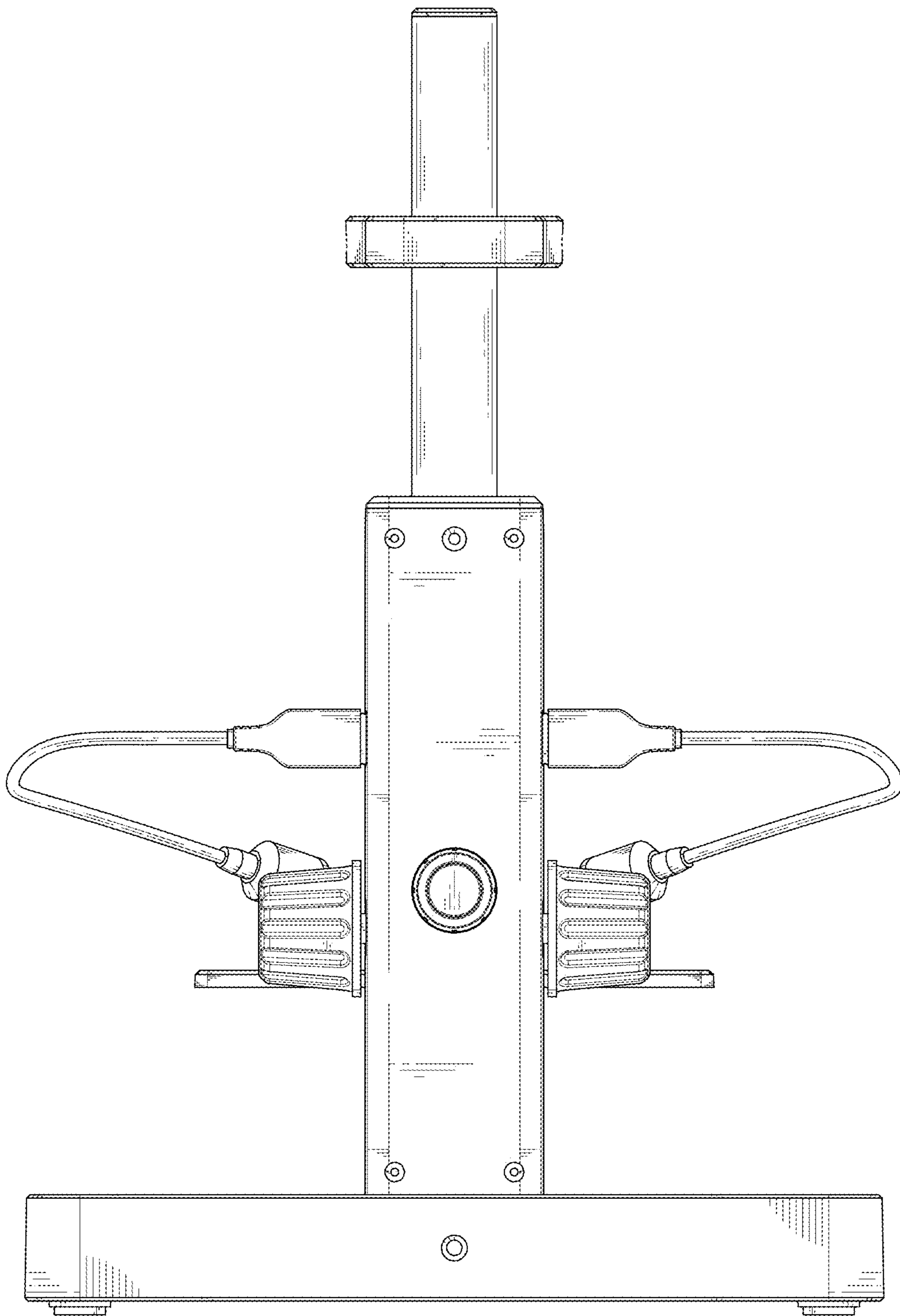
FIG. 1 is a front elevational view of a microscope stand showing my new design;  
FIG. 2 is a rear elevational view thereof; and  
FIG. 3 is a left side view thereof;  
FIG. 4 is a right side view thereof;  
FIG. 5 is a top plan view thereof;  
FIG. 6 is a bottom plan view thereof;  
FIG. 7 is a perspective view of a microscope stand showing my new design;  
FIG. 8 is another perspective view thereof; and,  
FIG. 9 is the third perspective view thereof.  
The broken lines in the figures are for the purposes of illustrating portions of the microscope stand, which form no part of the claimed design.

**1 Claim, 9 Drawing Sheets**

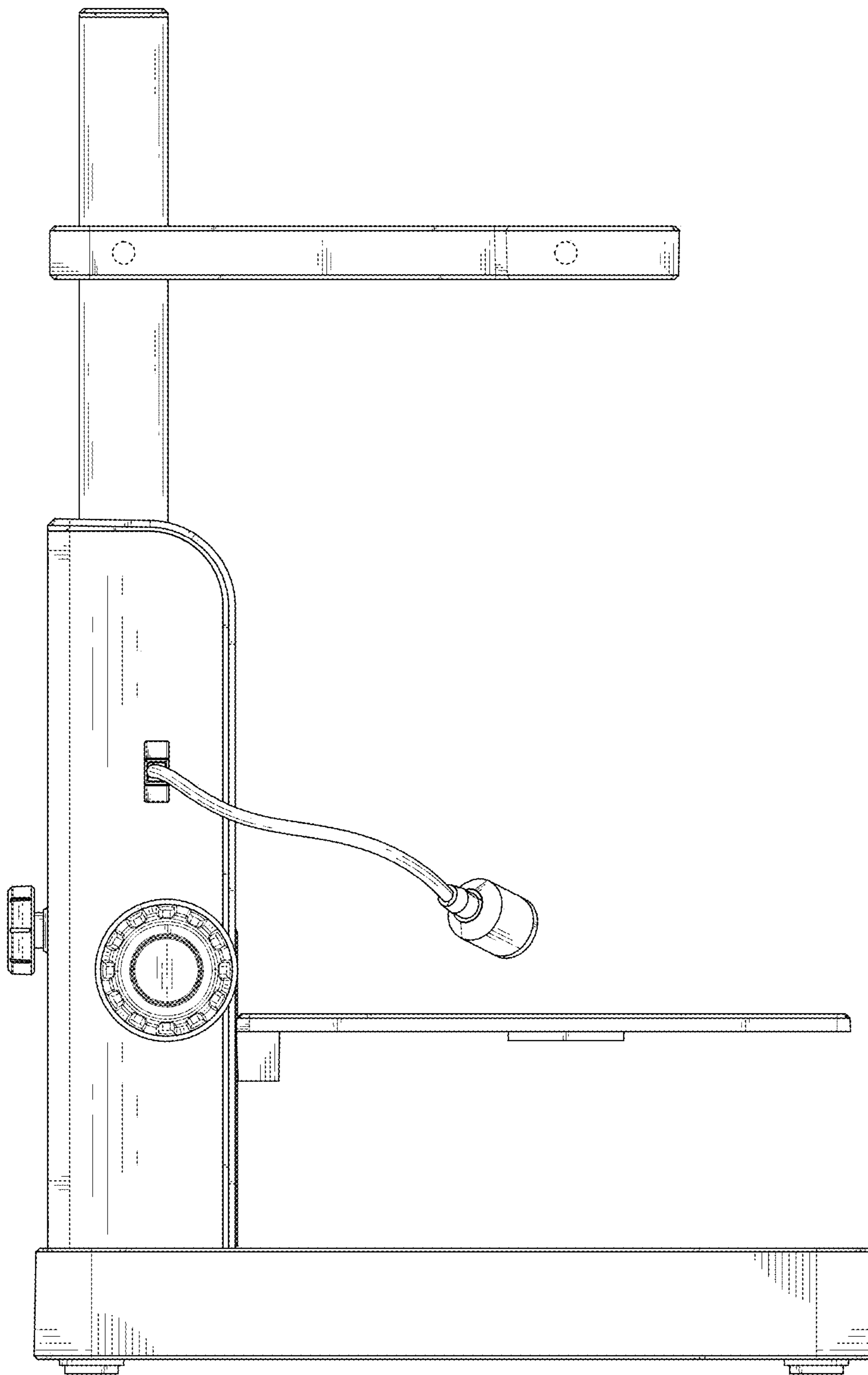




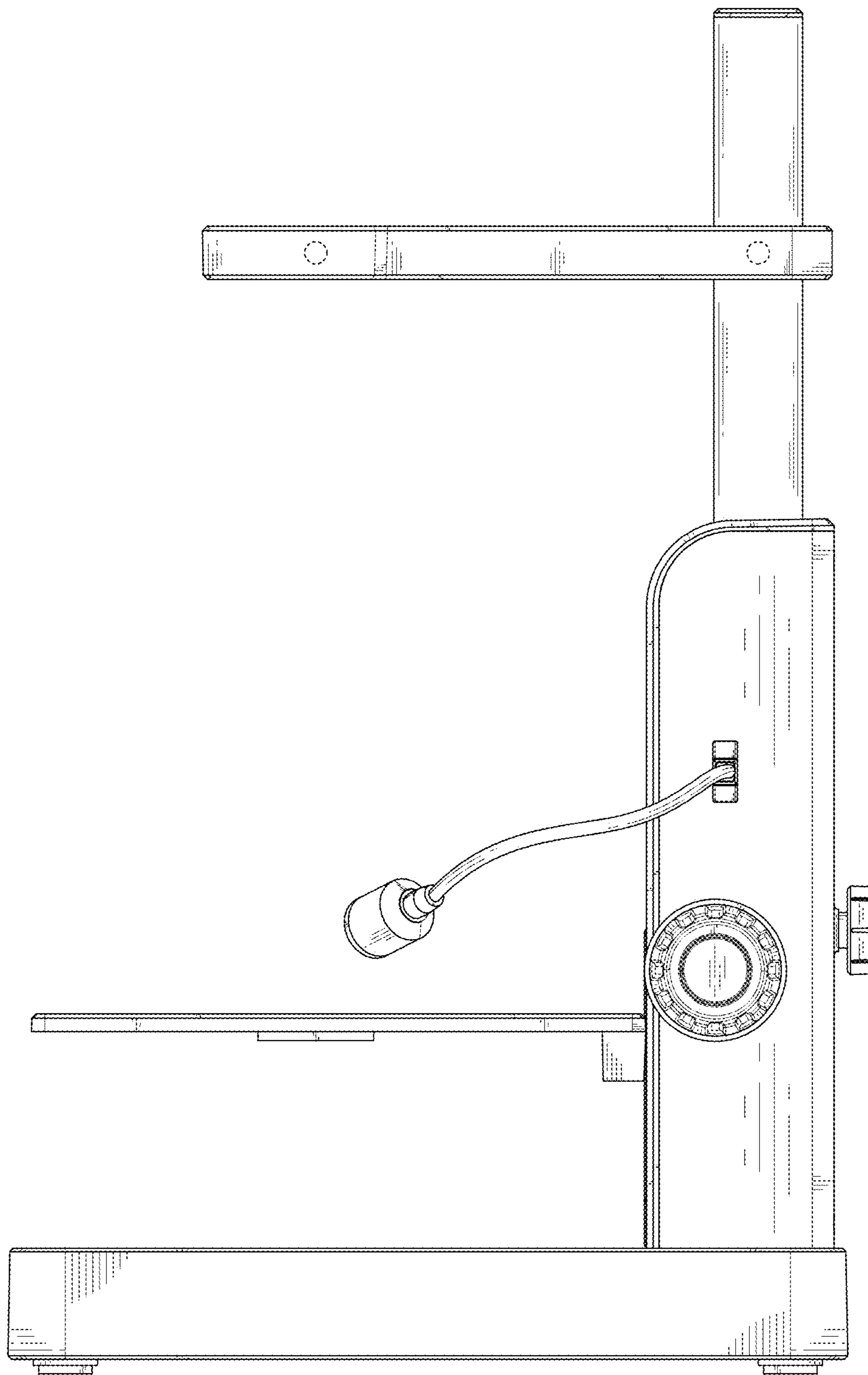
**FIG. 1**



**FIG. 2**

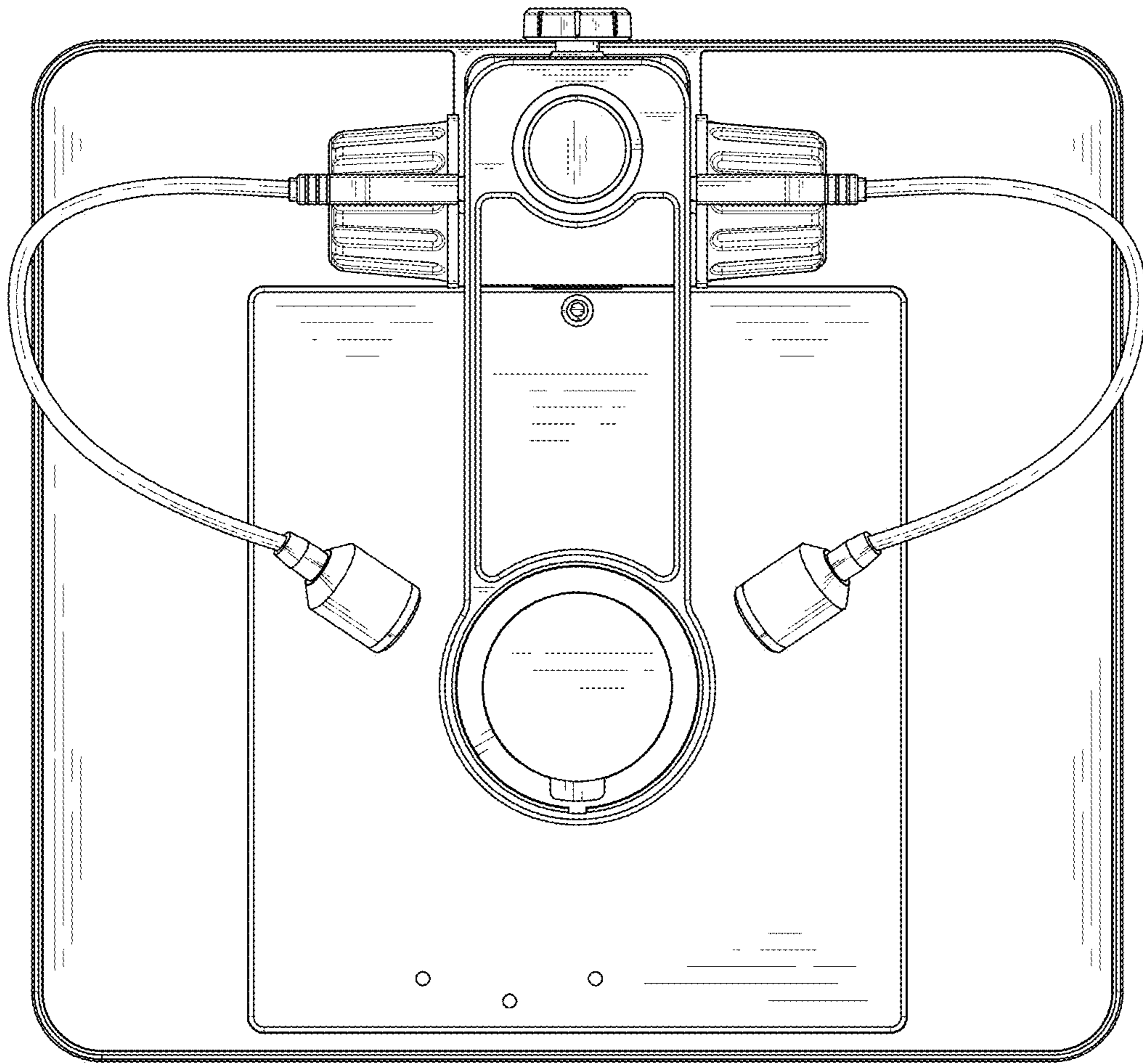


**FIG. 3**

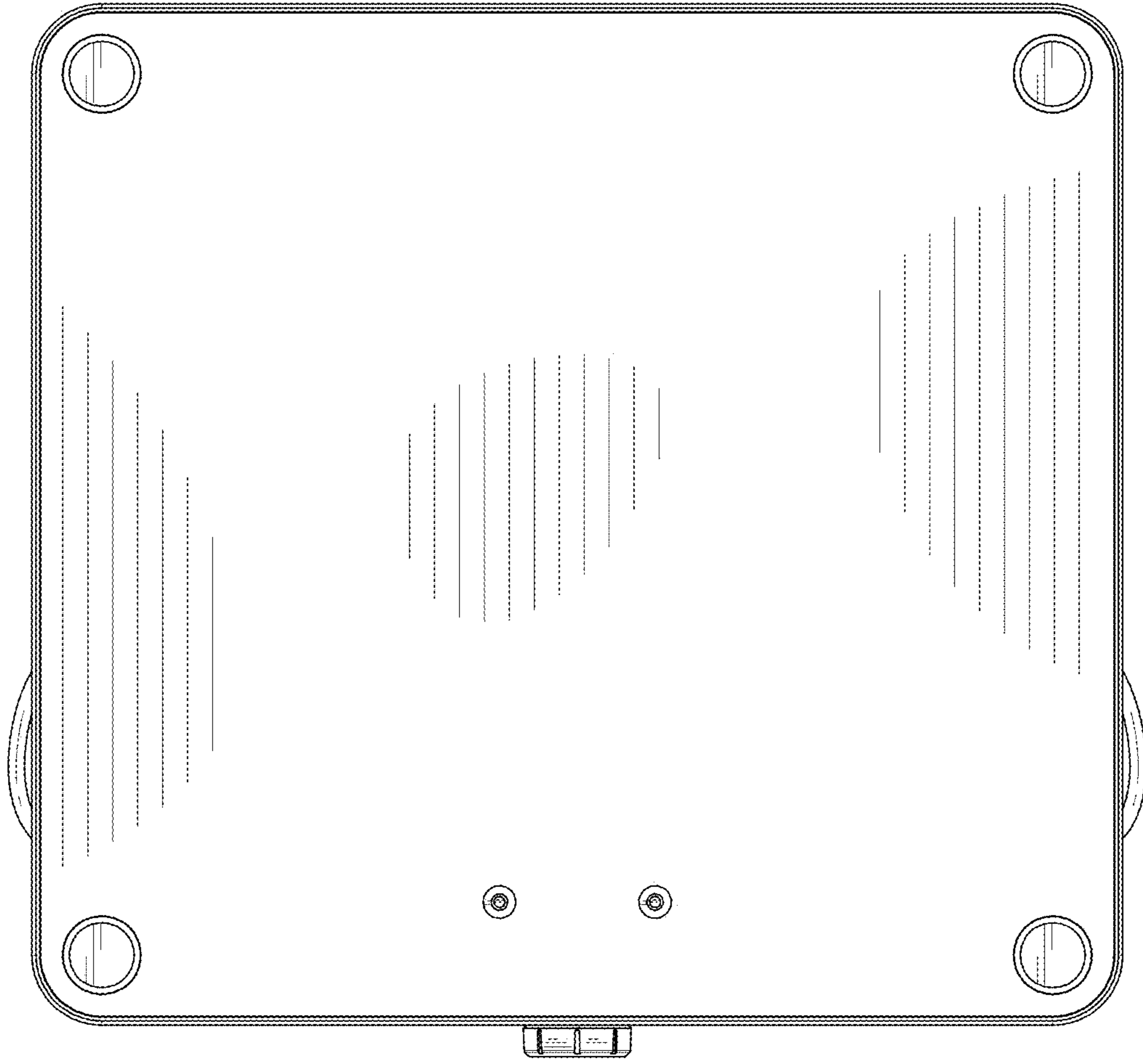


**FIG. 4**

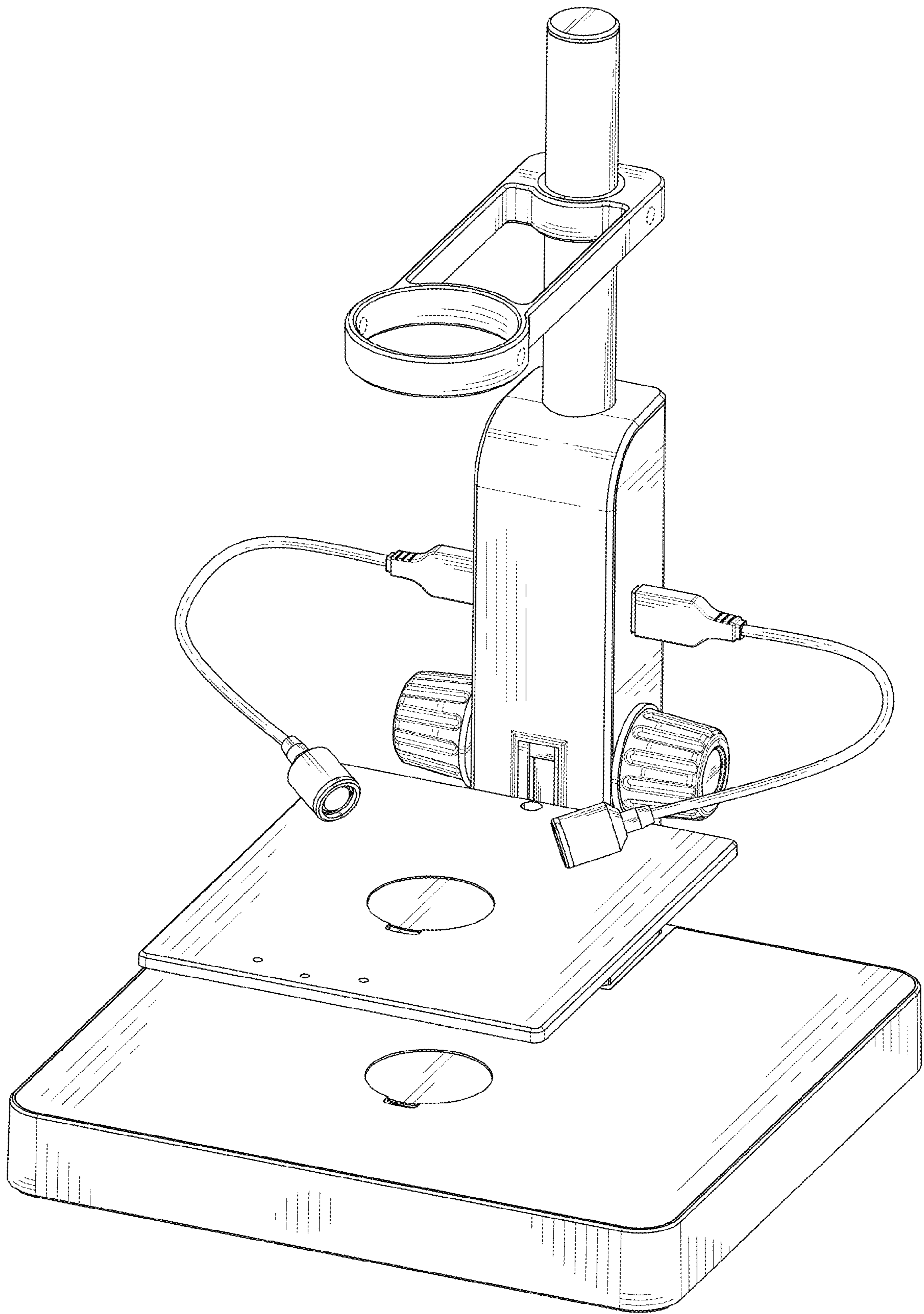




**FIG. 5**

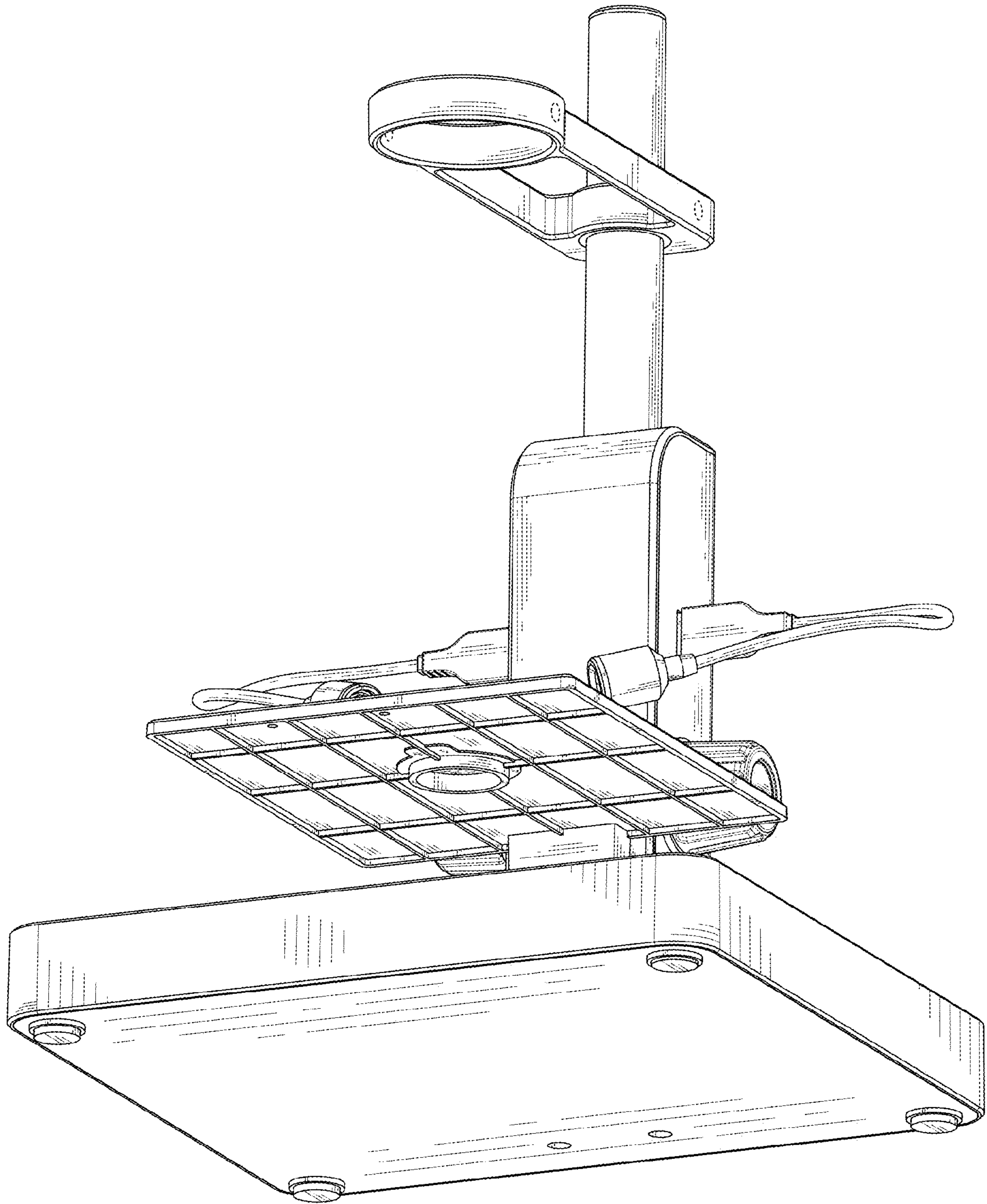


**FIG. 6**

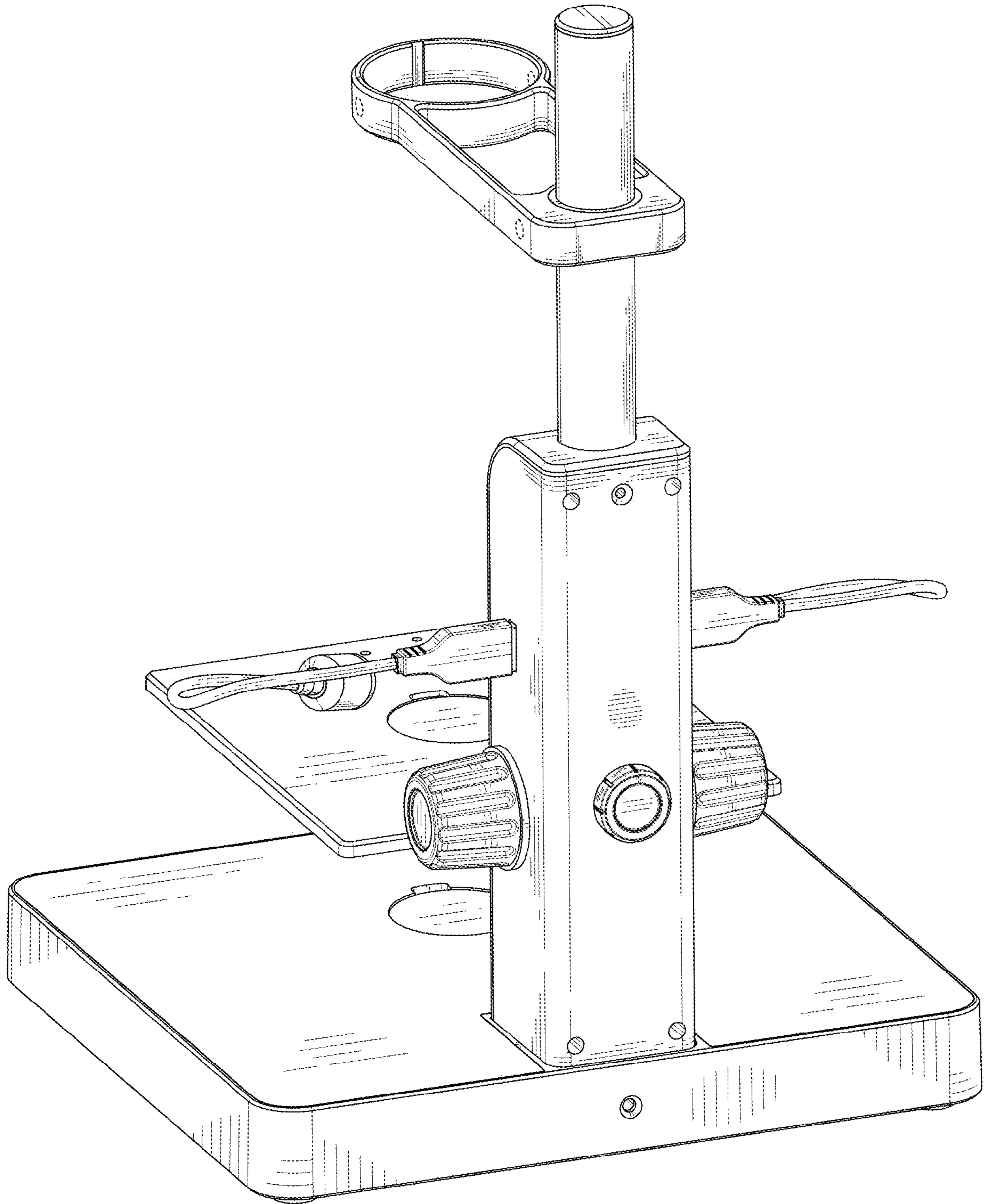


**FIG. 7**





**FIG. 8**



**FIG. 9**