



US00D983851S

(12) **United States Design Patent**
Joko et al.

(10) **Patent No.:** **US D983,851 S**
(45) **Date of Patent:** **** Apr. 18, 2023**

(54) **OPTICAL FIBER FUSION SPLICER**

D825,630 S * 8/2018 Zhao D15/144
D837,273 S * 1/2019 Sato D15/144
D928,208 S * 8/2021 Zhao D15/144

(71) Applicant: **SUMITOMO ELECTRIC OPTIFRONTIER CO., LTD.**,
Yokohama (JP)

* cited by examiner

(72) Inventors: **Kazufumi Joko**, Yokohama (JP);
Shohei Nakamura, Yokohama (JP);
Hiroki Akiyama, Yokohama (JP)

Primary Examiner — Michael C Stout

Assistant Examiner — Fitzgerald L Butac

(73) Assignee: **SUMITOMO ELECTRIC OPTIFRONTIER CO., LTD.**,
Yokohama (JP)

(74) *Attorney, Agent, or Firm* — Oliff PLC

(**) Term: **15 Years**

(57) **CLAIM**

The ornamental design for an optical fiber fusion splicer, as shown and described.

(21) Appl. No.: **29/778,636**

(22) Filed: **Apr. 14, 2021**

DESCRIPTION

(30) **Foreign Application Priority Data**

Oct. 15, 2020 (JP) JP2020-022205 D

(51) **LOC (14) Cl.** **15-09**

(52) **U.S. Cl.**
USPC **D15/144**

(58) **Field of Classification Search**
USPC D15/122, 127, 128, 135, 136, 138, 144,
D15/144.1, 144.2, 145, 146, 199; D18/6,
D18/7, 14, 18, 19, 50; D8/29, 29.1, 30,
D8/70, 71

CPC ... G02B 6/2551; G02B 6/2553; G02B 6/2555
See application file for complete search history.

FIG. 1 is a top perspective view of an optical fiber fusion splicer of the present invention;
FIG. 2 is a bottom perspective view thereof;
FIG. 3 is a front view thereof;
FIG. 4 is a rear view thereof;
FIG. 5 is a top plan view thereof;
FIG. 6 is a bottom view thereof;
FIG. 7 is a right side view thereof; and,
FIG. 8 is a left side view thereof.

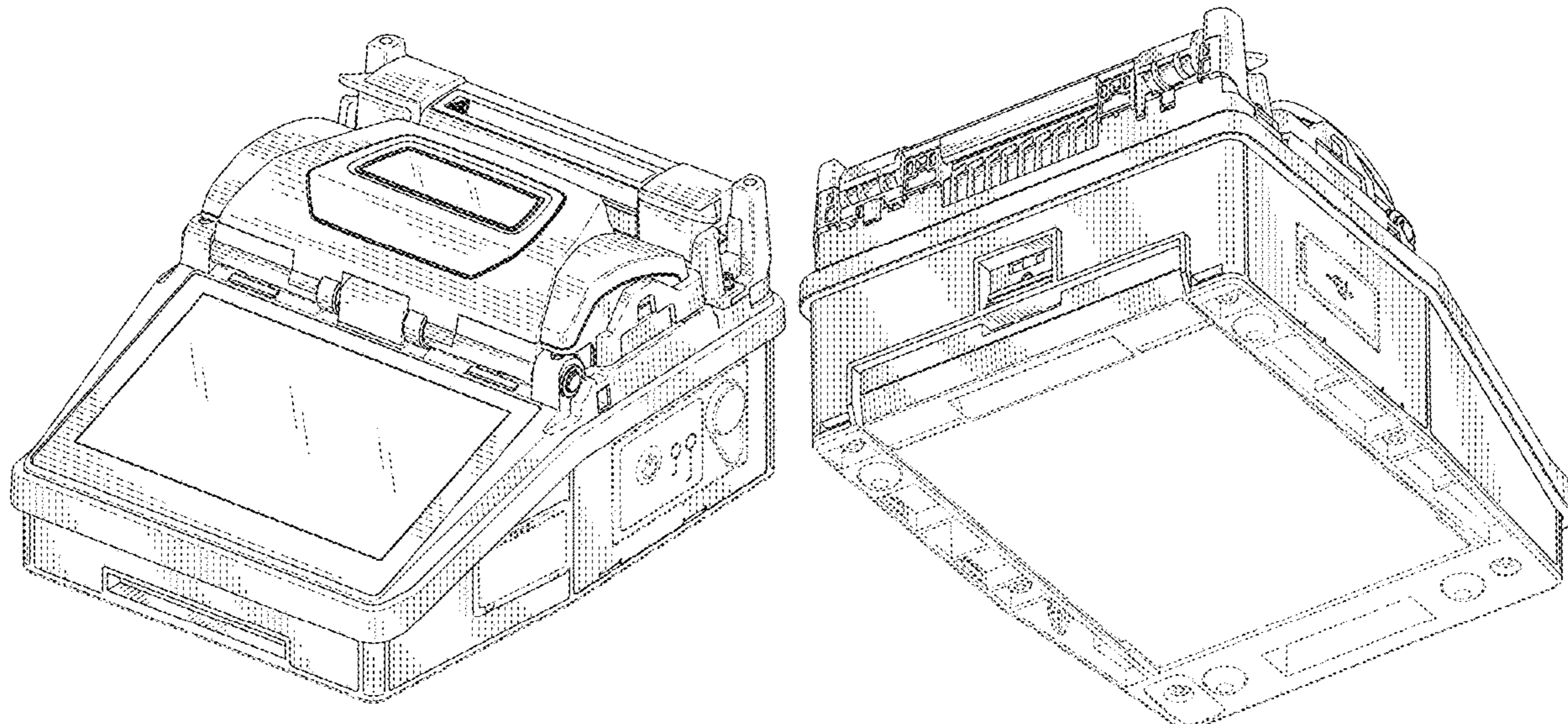
(56) **References Cited**

U.S. PATENT DOCUMENTS

D652,438 S * 1/2012 Akiyama D15/199
D652,850 S * 1/2012 Song D15/144
D746,885 S * 1/2016 Sato D15/144
D759,138 S * 6/2016 Sato D15/144

The broken lines show portions of an optical fiber fusion splicer that form no part of the claimed design.
The alternate long and short dash lines depict boundaries of the claimed subject matter and form no part of the claimed design.

1 Claim, 8 Drawing Sheets



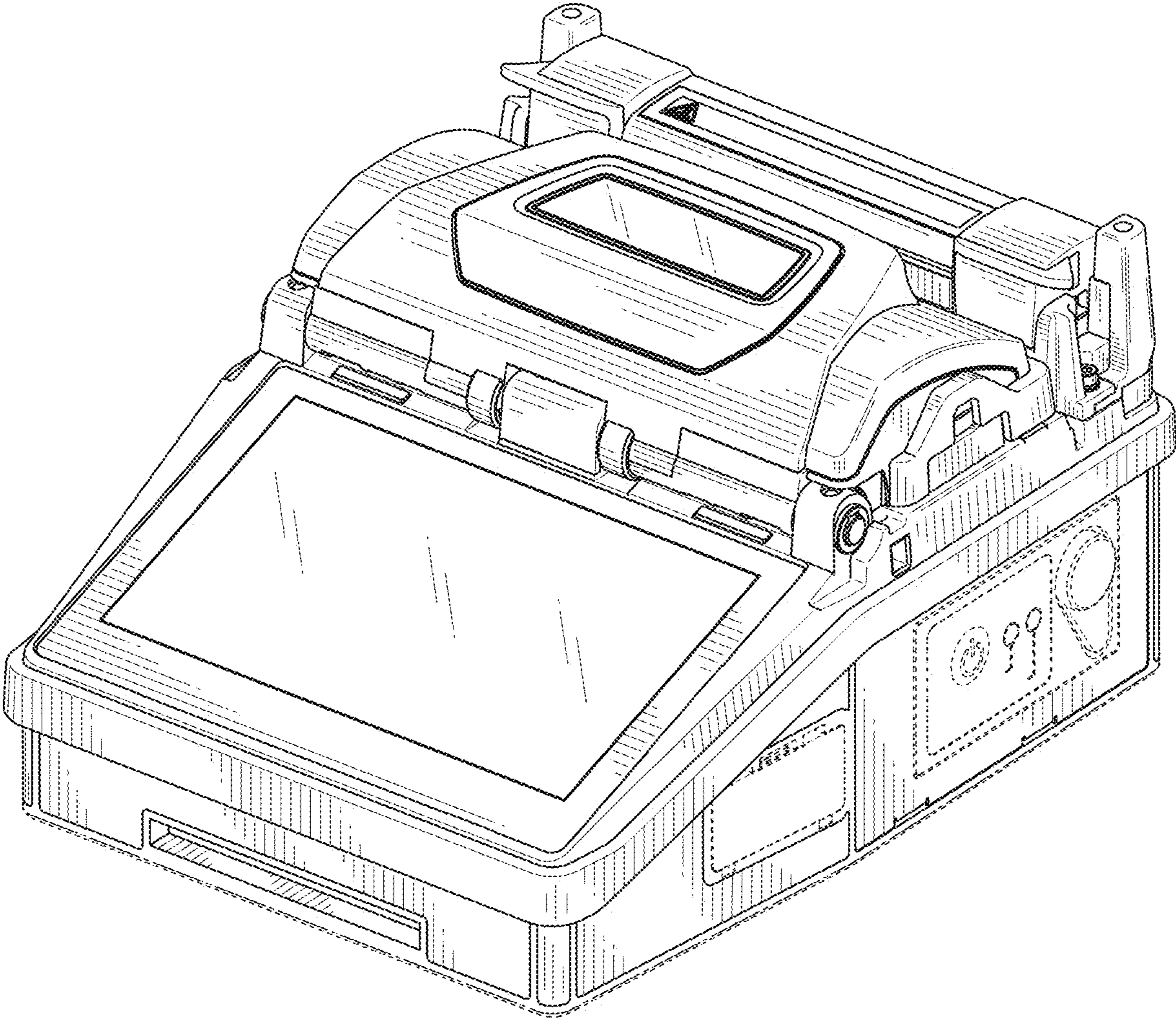


FIG. 1

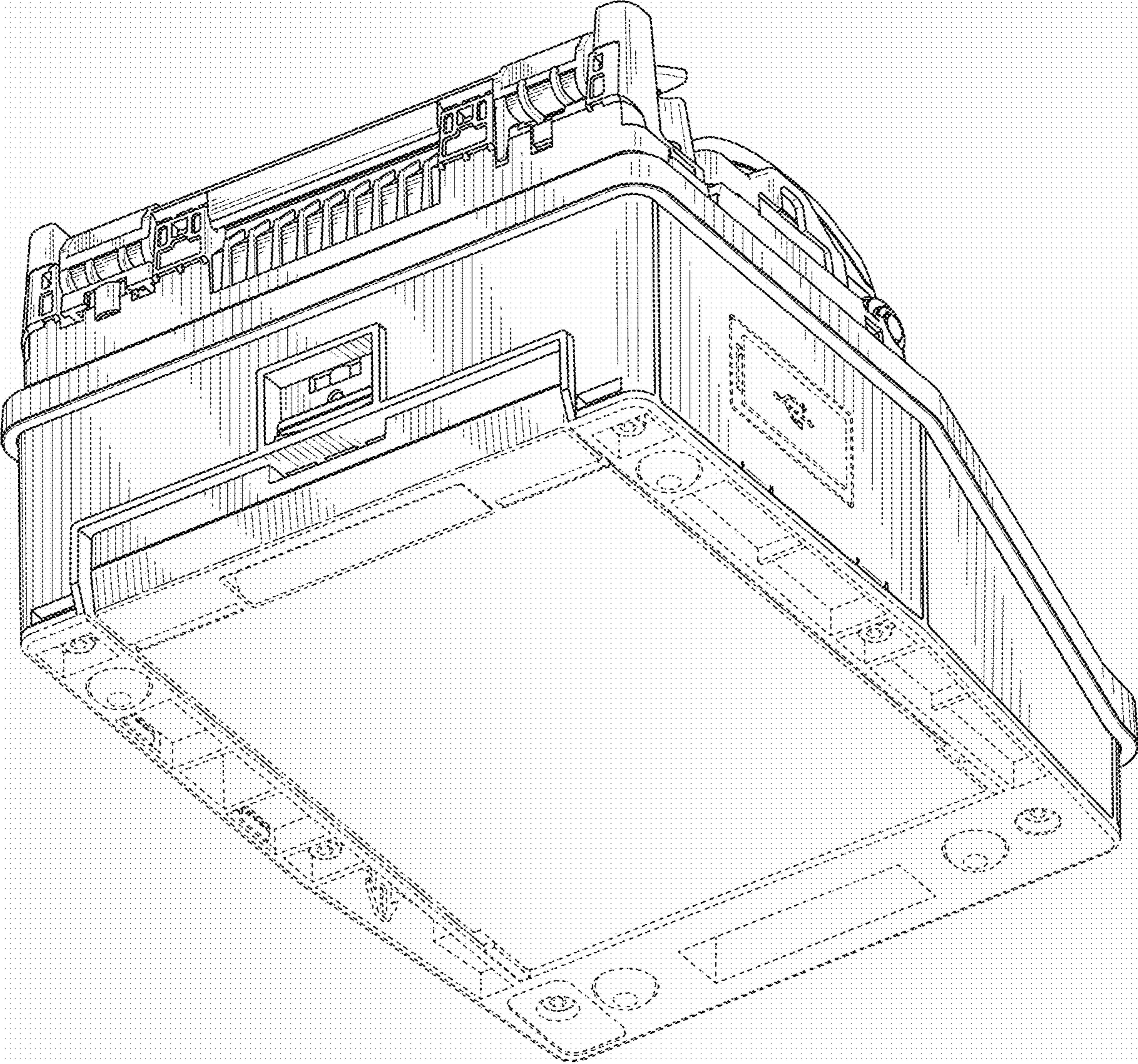


FIG. 2

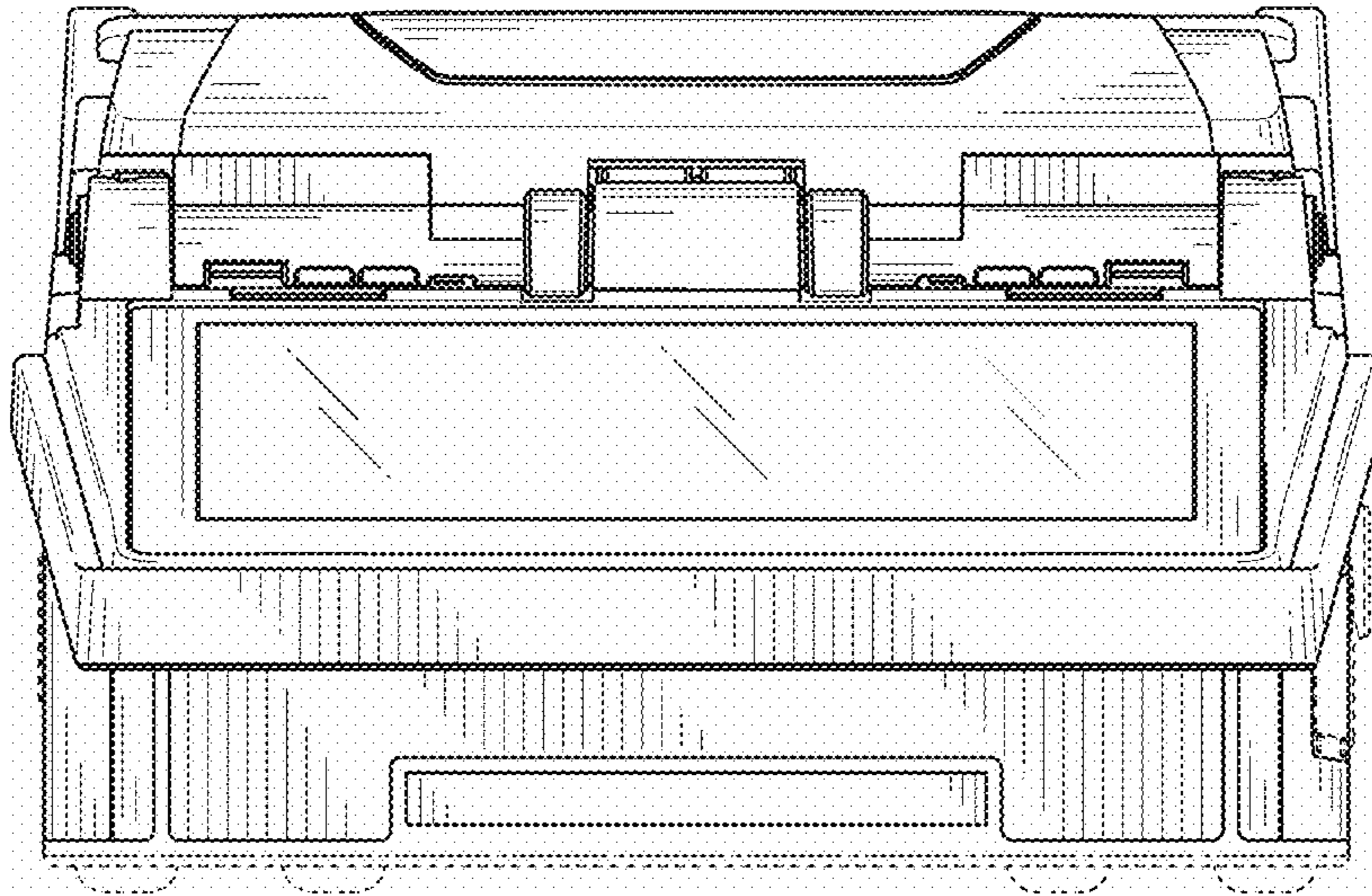


FIG. 3

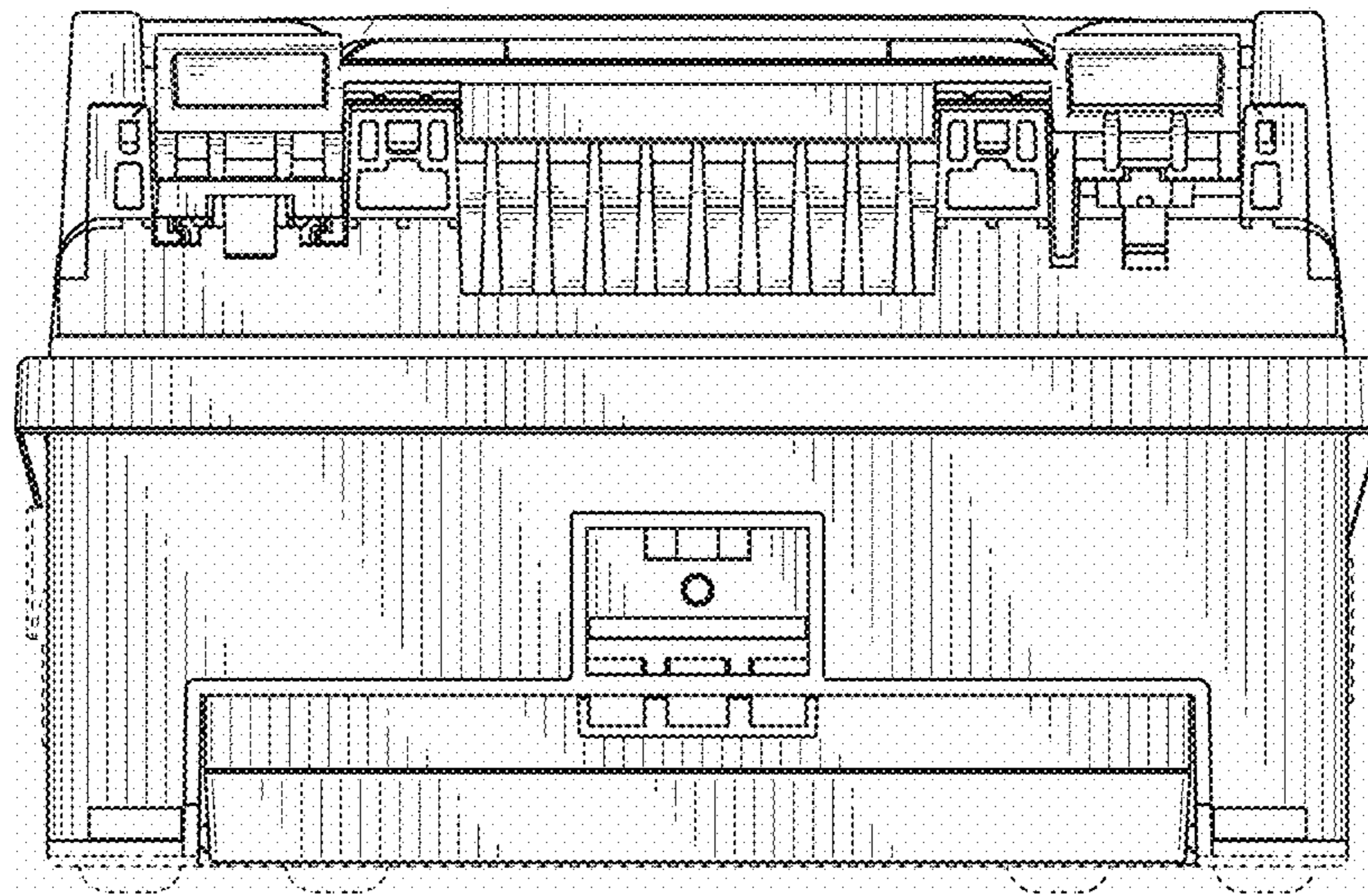


FIG. 4

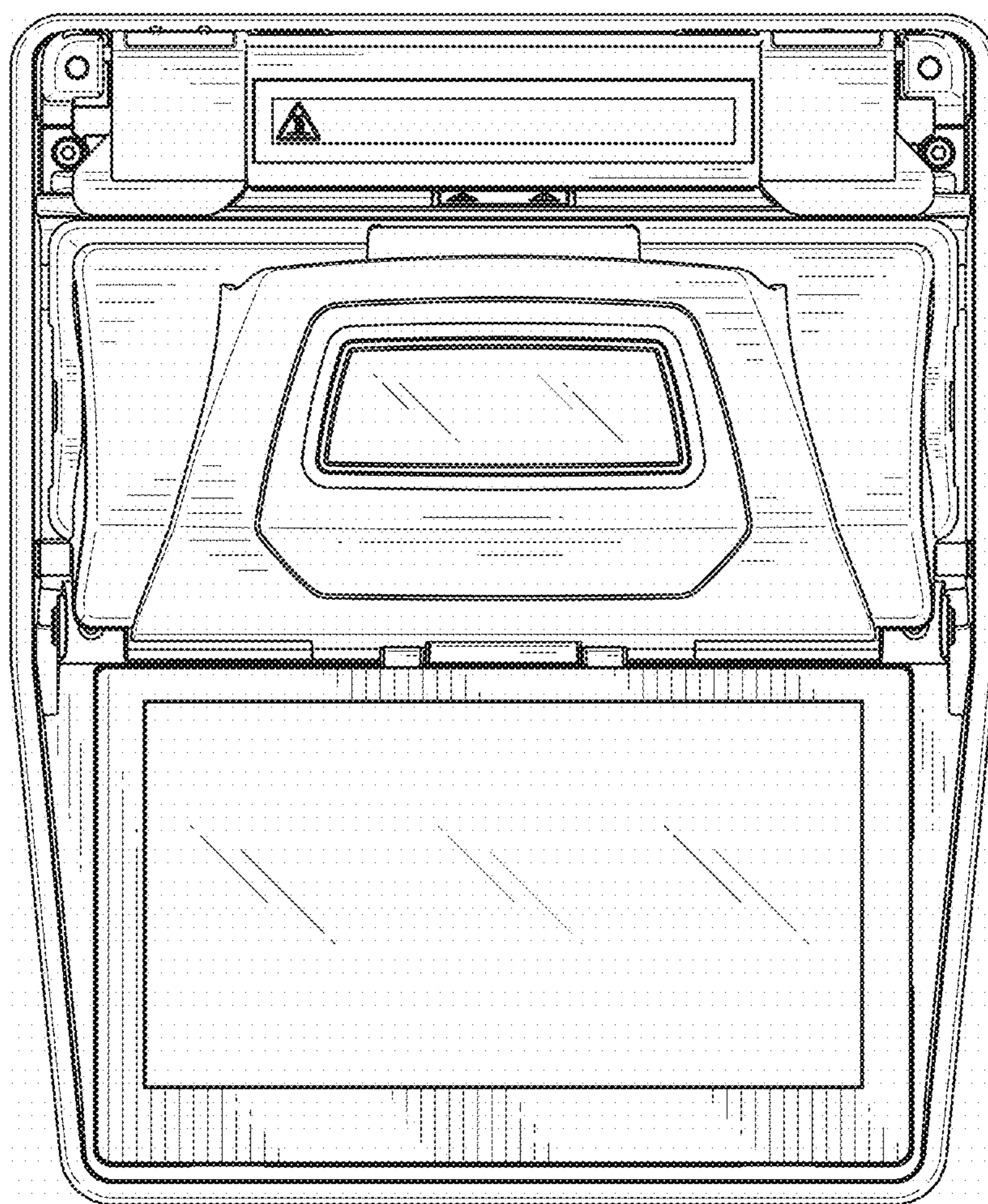


FIG. 5

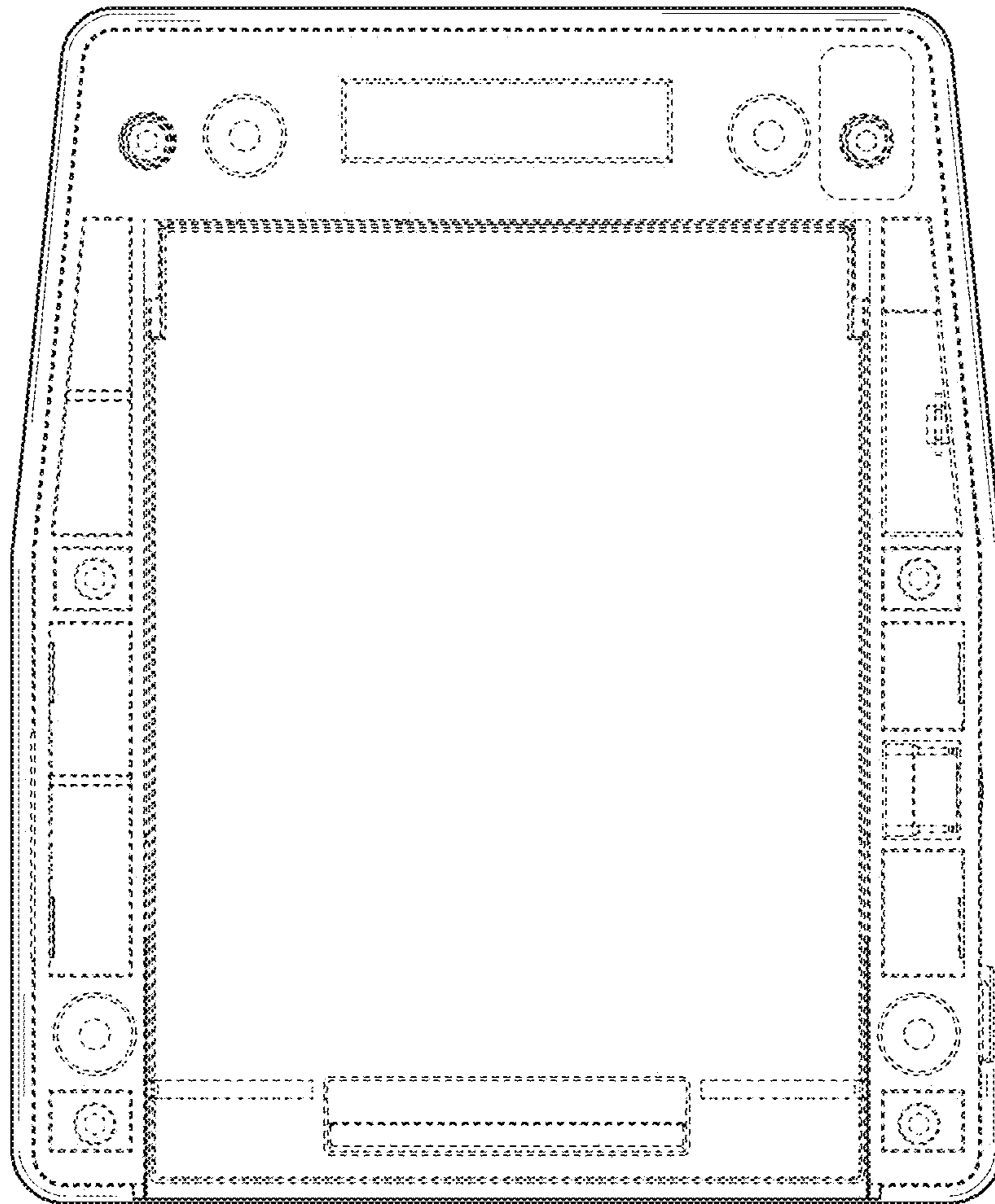


FIG. 6

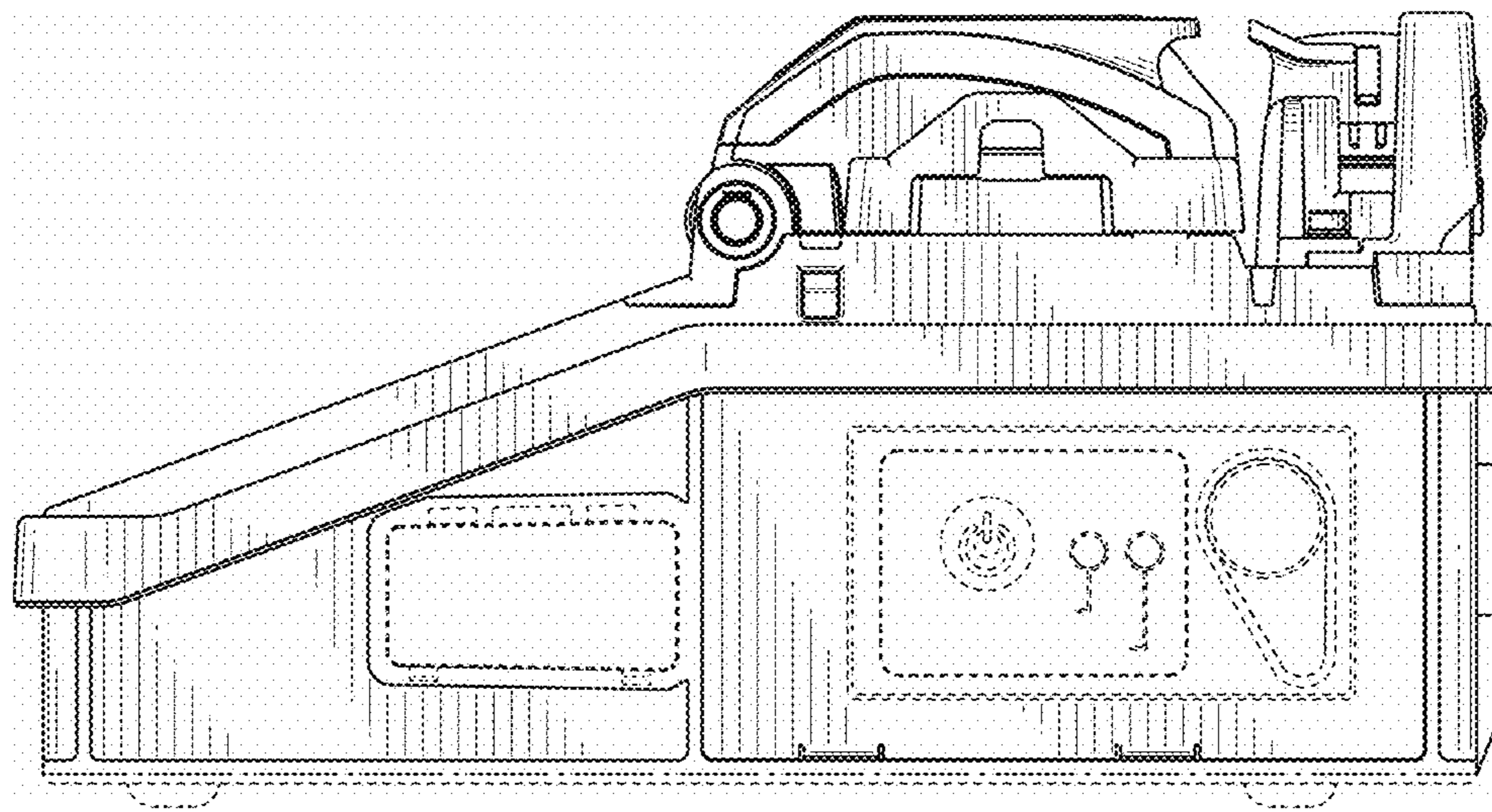


FIG. 7

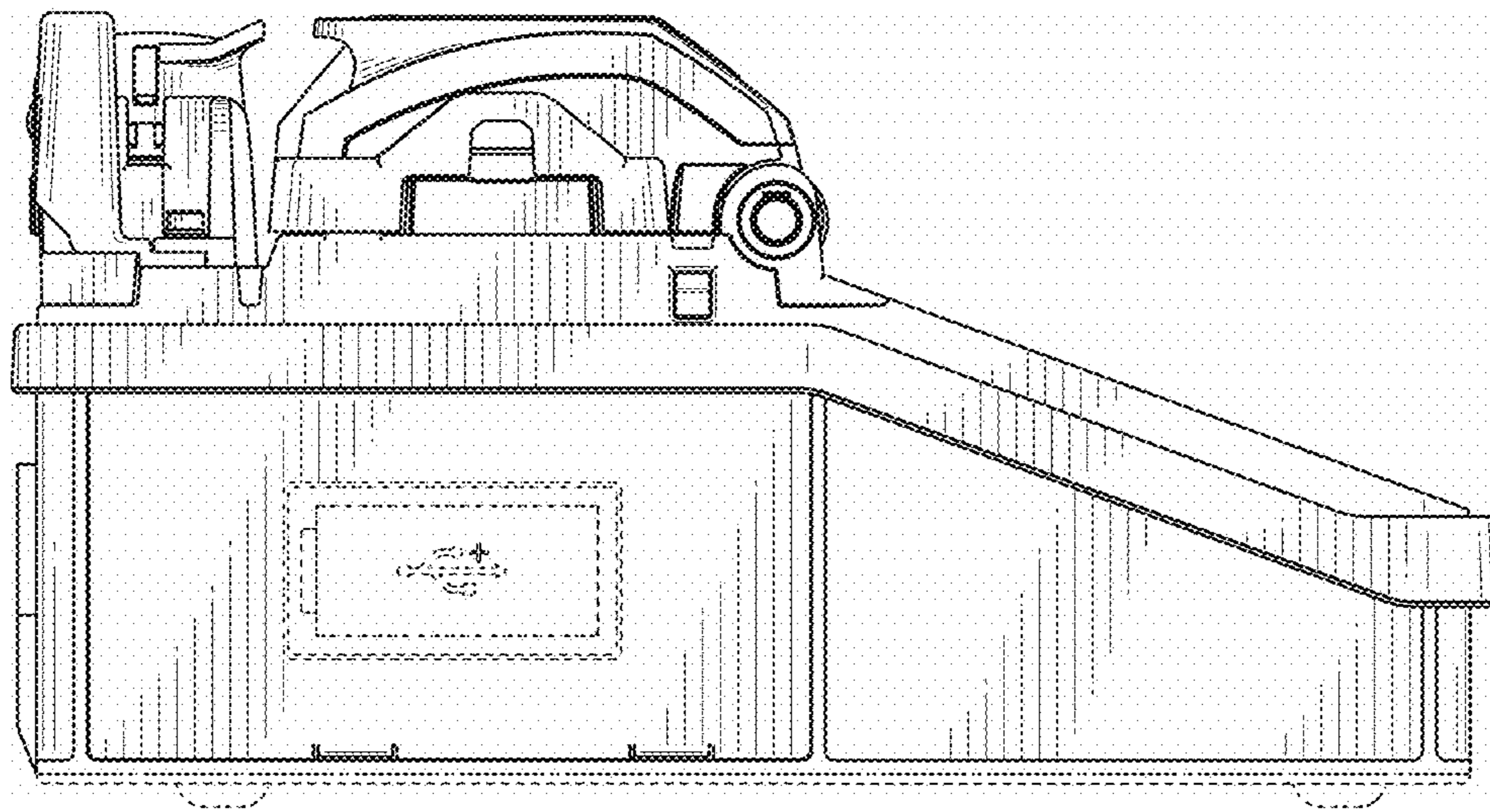


FIG. 8