



US00D983850S

(12) **United States Design Patent** (10) **Patent No.:** **US D983,850 S**
Song (45) **Date of Patent:** **** Apr. 18, 2023**

(54) **DRILL BIT**

(71) Applicant: **SEOUL FASTENING CO., LTD.**,
Seoul (KR)

(72) Inventor: **Yun Ku Song**, Seoul (KR)

(**) Term: **15 Years**

(21) Appl. No.: **35/514,667**

(22) Filed: **Mar. 30, 2022**

(80) **Hague Agreement Data**
 Int. Filing Date: **Mar. 30, 2022**
 Int. Reg. No.: **DM/221691**
 Int. Reg. Date: **Mar. 30, 2022**
 Int. Reg. Pub. Date: **Jul. 8, 2022**

(30) **Foreign Application Priority Data**
 Oct. 13, 2021 (KR) 30-2021-0048304

(51) **LOC (14) Cl.** **15-09**

(52) **U.S. Cl.**
USPC **D15/139**

(58) **Field of Classification Search**
 USPC D8/70; D15/21, 126, 131, 138, 139, 140
 CPC ... B23B 51/02; B23B 51/009; B23B 51/0081;
 B23B 35/00; B27G 15/00
 See application file for complete search history.

(56) **References Cited**
 U.S. PATENT DOCUMENTS

4,629,375 A * 12/1986 Lieser B25B 23/0035
408/239 R

D428,027 S * 7/2000 Kouvelis D15/139

RE37,149 E * 5/2001 Hartlohner B23B 27/141
D15/139

D456,990 S * 5/2002 Lusty D3/228

D633,769 S * 3/2011 Evatt D8/70

D656,611 S * 3/2012 Garcia D15/139

8,366,356 B2 * 2/2013 Novak B23B 51/0473
408/239 R

RE46,103 E * 8/2016 Novak B23B 51/04

D779,046 S * 2/2017 Tansey, Jr. D23/262

10,155,269 B2 * 12/2018 Jindai C23C 14/06

10,532,412 B2 * 1/2020 Ward B23B 51/0426

10,605,007 B2 * 3/2020 Kim B23P 5/00

D881,666 S * 4/2020 Andersson D8/86

D886,171 S * 6/2020 Dill D15/139

D894,978 S * 9/2020 Misumi D15/139

D903,454 S * 12/2020 Kuhns D8/70

11,007,582 B2 * 5/2021 Lee B23B 49/005

D958,856 S * 7/2022 Kim D15/139

2005/0205306 A1 * 9/2005 Miyanaga B23B 51/02
175/323

2007/0278016 A1 * 12/2007 Koch E21B 10/445
175/420.1

2010/0135741 A1 * 6/2010 Probst B23B 51/02
408/230

2011/0167966 A1 * 7/2011 Liu B25B 13/06
81/177.8

2012/0099943 A1 * 4/2012 Chiu F16B 5/0208
411/347

* cited by examiner

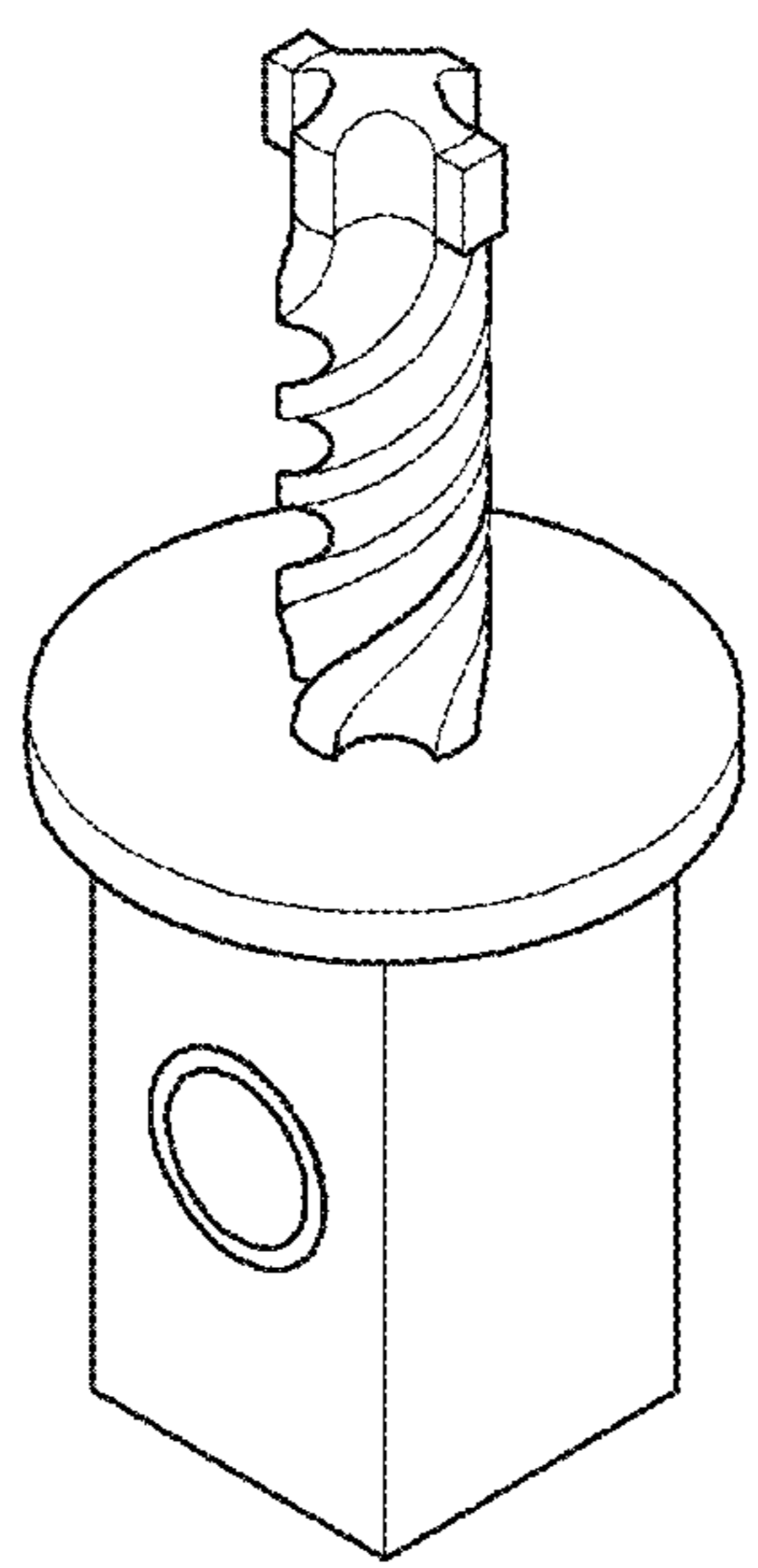
Primary Examiner — Patricia A Palasik

(57) **CLAIM**
 The ornamental design for a drill bit, as shown and described.

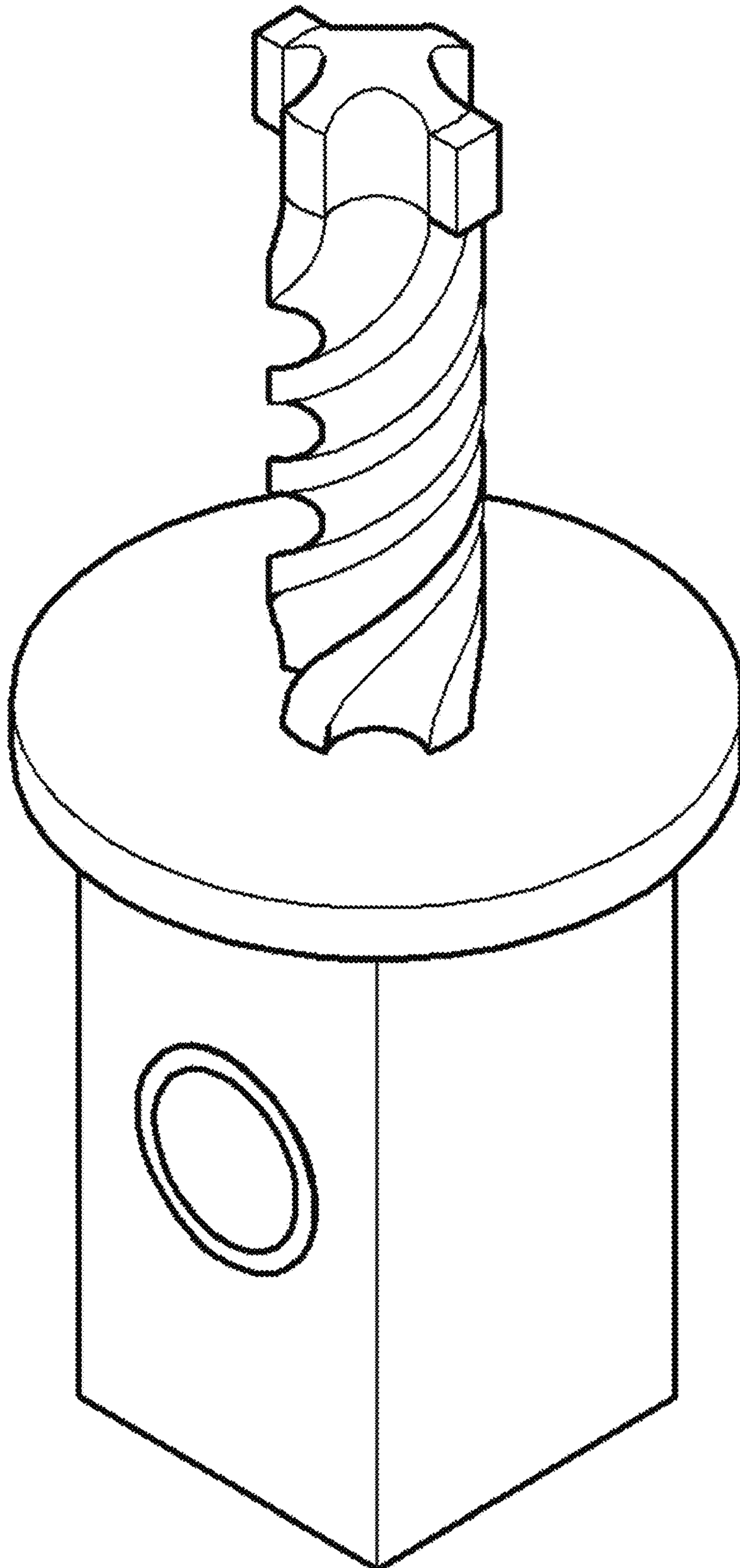
DESCRIPTION

1. Drill bit
 1.1 : Perspective
 1.2 : Front
 1.3: Back
 1.4: Top
 1.5: Bottom
 1.6 : Left
 1.7: Right
 The subject design is a drill bit for drilling concrete.

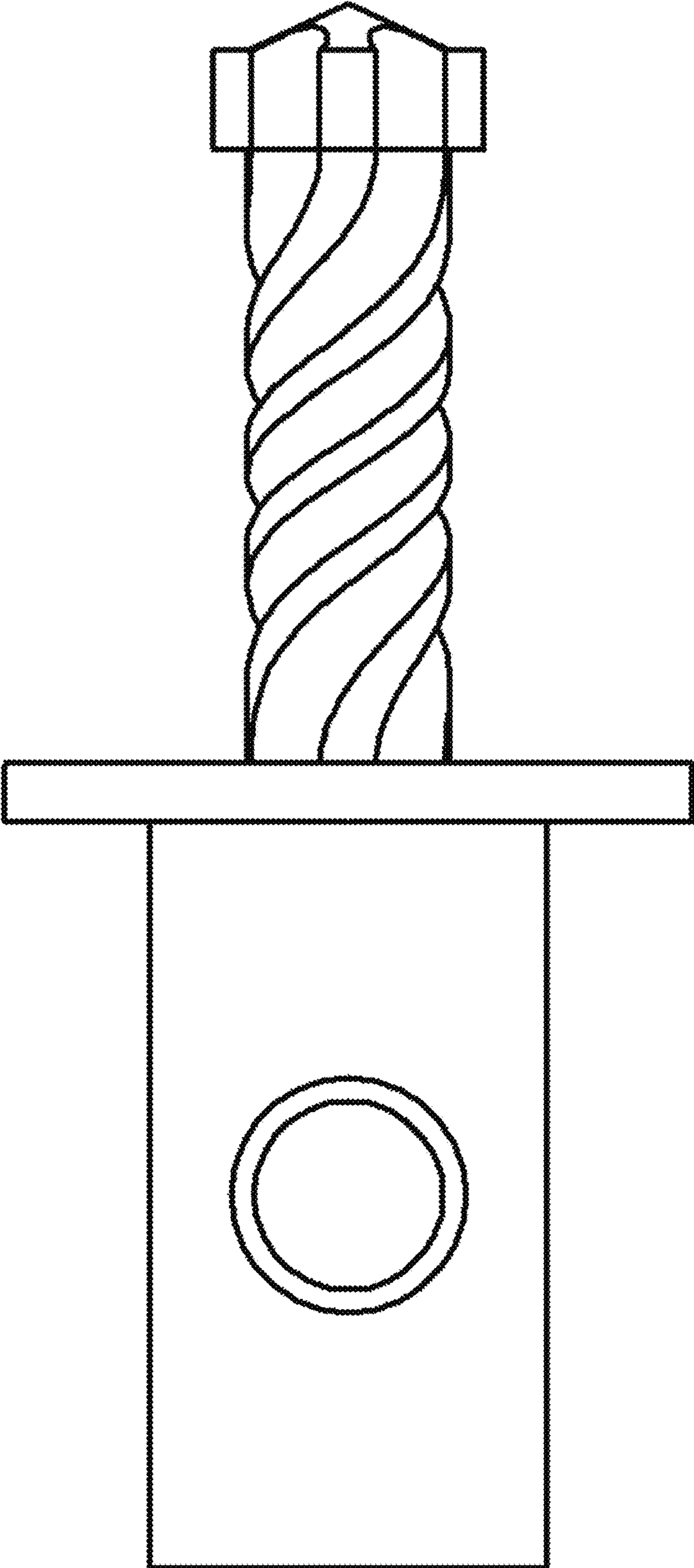
1 Claim, 7 Drawing Sheets



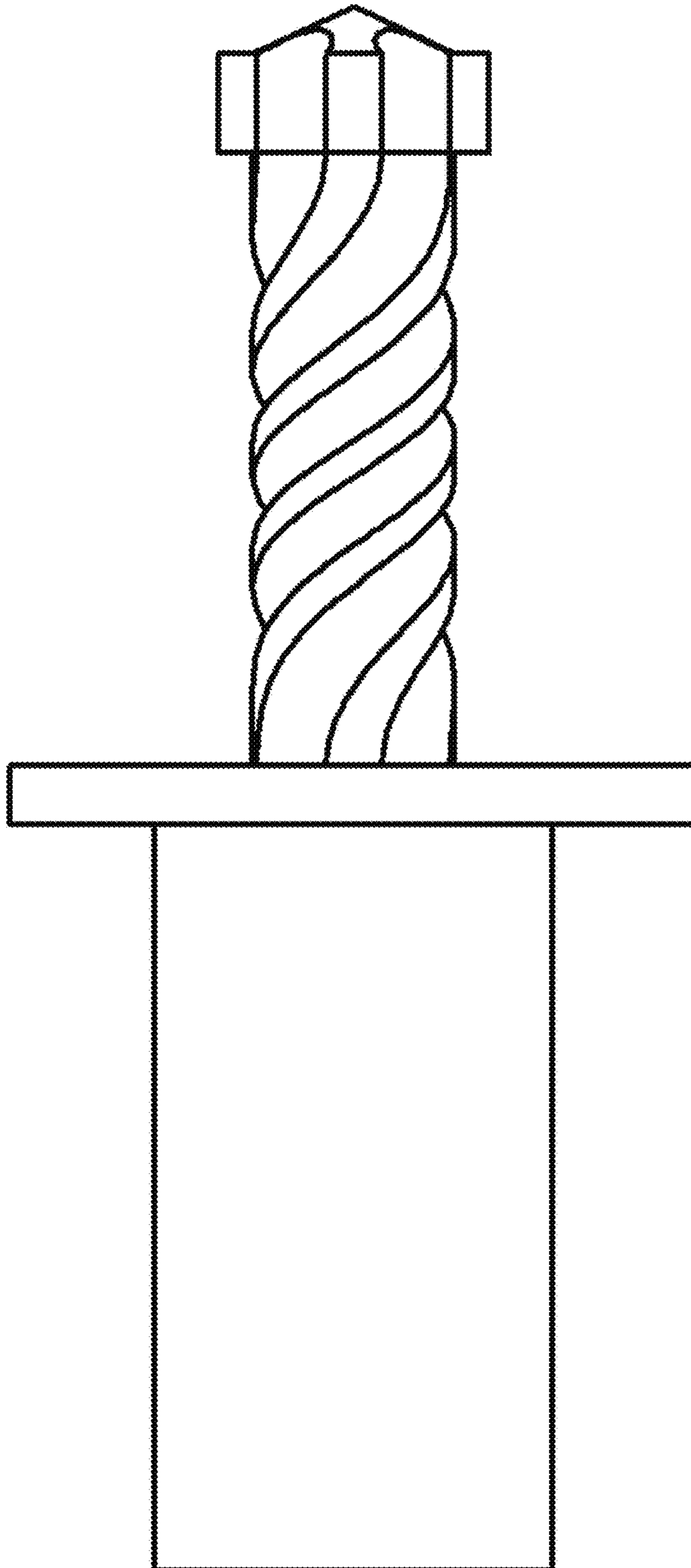
1.1



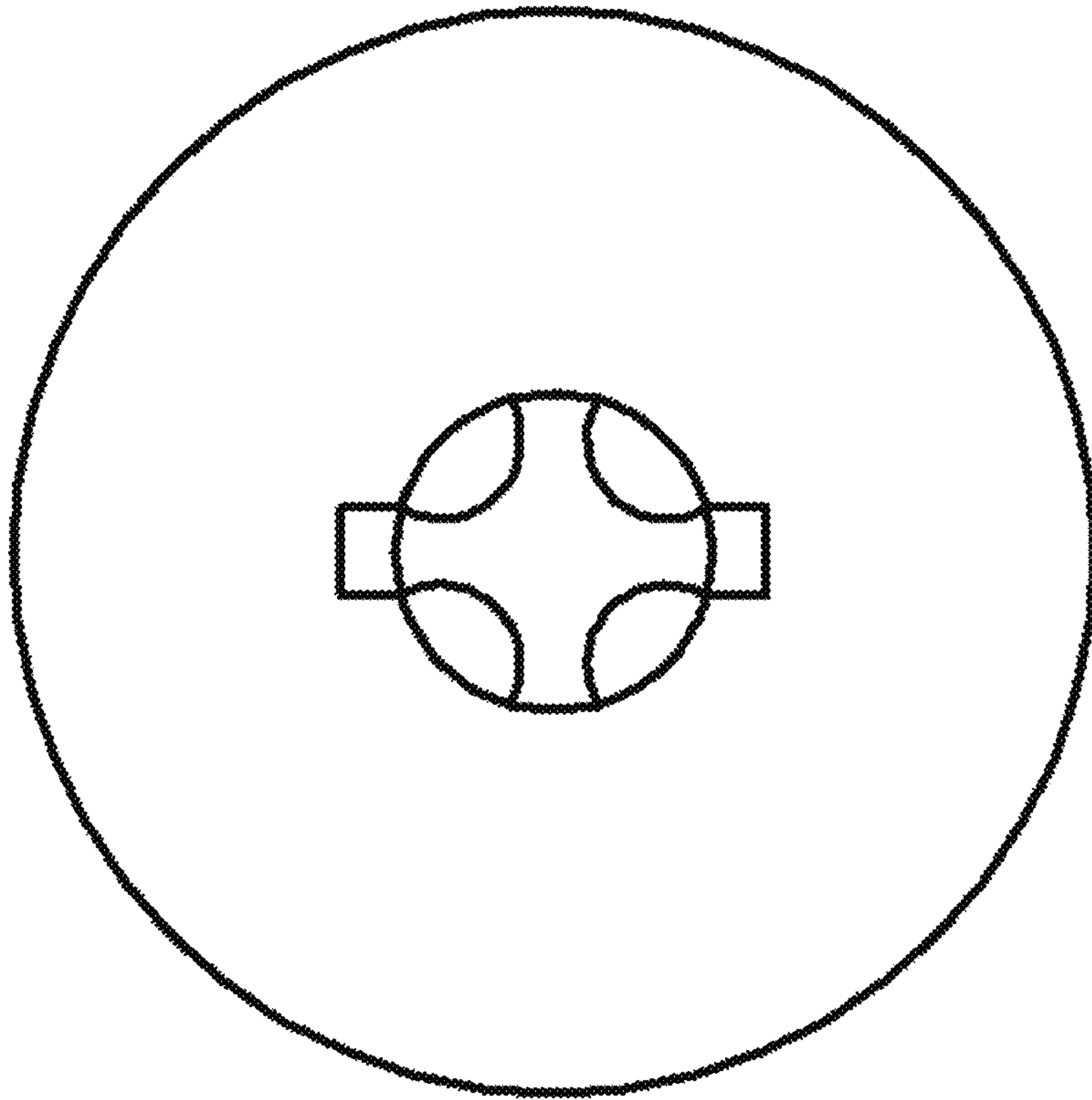
1.2



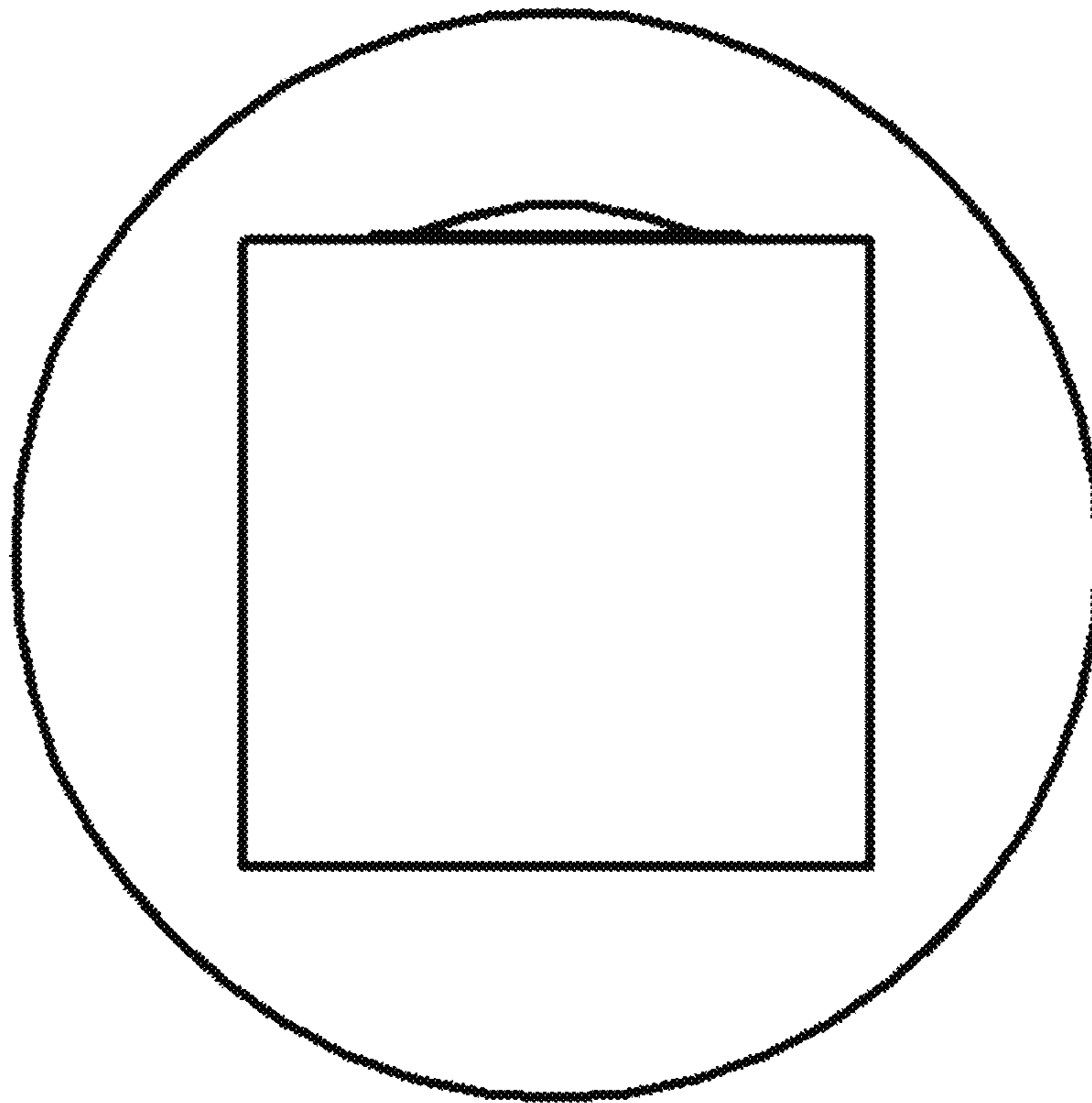
1.3



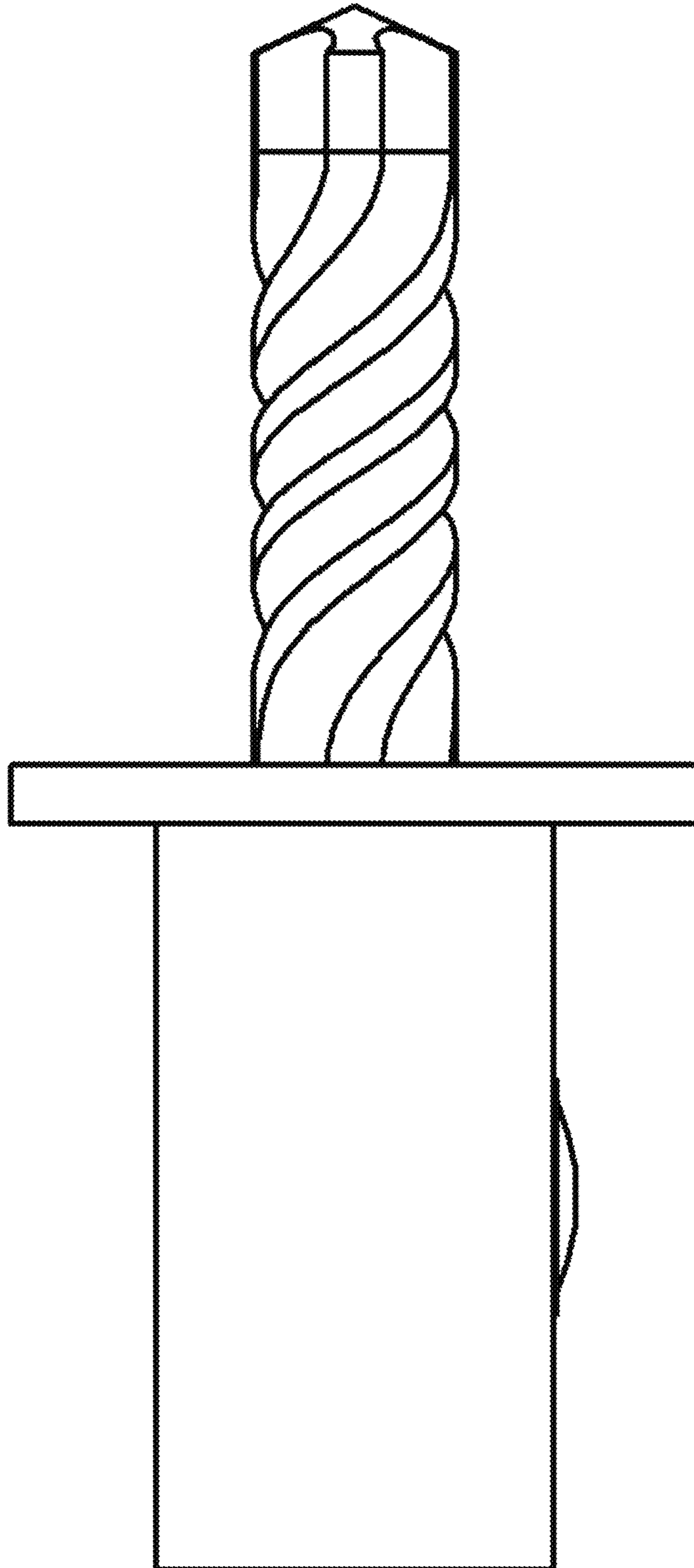
1.4



1.5



1.6



1.7

