



US00D983849S

(12) **United States Design Patent** (10) **Patent No.:** **US D983,849 S**
Flodman et al. (45) **Date of Patent:** **** Apr. 18, 2023**

(54) **MILLING CUTTER TOOL**

33/134; E21B 34/12; E21B 43/08; E21B 43/108; E21B 47/00; E21B 47/09; E21B 47/12; E21B 47/122; E21B 4/02; E21B 7/061; E21B 7/068

(71) Applicant: **SECO TOOLS AB**, Fagersta (SE)

(72) Inventors: **Rikard Flodman**, Arboga (SE); **Kent Karlsson**, Fellingsbro (SE)

See application file for complete search history.

(73) Assignee: **SECO TOOLS AB**, Fagersta (SE)

(56) **References Cited**

(**) Term: **15 Years**

U.S. PATENT DOCUMENTS

(21) Appl. No.: **29/774,842**

D250,388 S *	11/1978	Rantanen	D15/21
D635,599 S *	4/2011	Furseth	D15/139
D768,742 S *	10/2016	Charbonneau	D15/139
D812,115 S *	3/2018	MacLennan	B27B 33/12
				D15/139
D823,909 S *	7/2018	Kawakami	D15/139
D832,319 S *	10/2018	Muthuswamy	D15/139
D851,145 S *	6/2019	Davis	D15/139
D856,386 S *	8/2019	Banjo	D15/139
D857,768 S *	8/2019	Rhode	D15/139

(22) Filed: **Mar. 19, 2021**

Related U.S. Application Data

(62) Division of application No. 29/681,689, filed on Feb. 27, 2019, now Pat. No. Des. 926,846.

(Continued)

(30) **Foreign Application Priority Data**

Primary Examiner — Khawaja Anwar

Aug. 29, 2018	(EM)	005623584-0001
Aug. 29, 2018	(EM)	005623584-0002
Aug. 29, 2018	(EM)	005623584-0003
Aug. 29, 2018	(EM)	005623584-0004
Aug. 29, 2018	(EM)	005623584-0005
Aug. 29, 2018	(EM)	005623584-0006

(74) *Attorney, Agent, or Firm* — Volpe Koenig

(57) **CLAIM**

(51) **LOC (14) Cl.** **15-01**

We claim the ornamental design for a milling cutter tool, as shown and described.

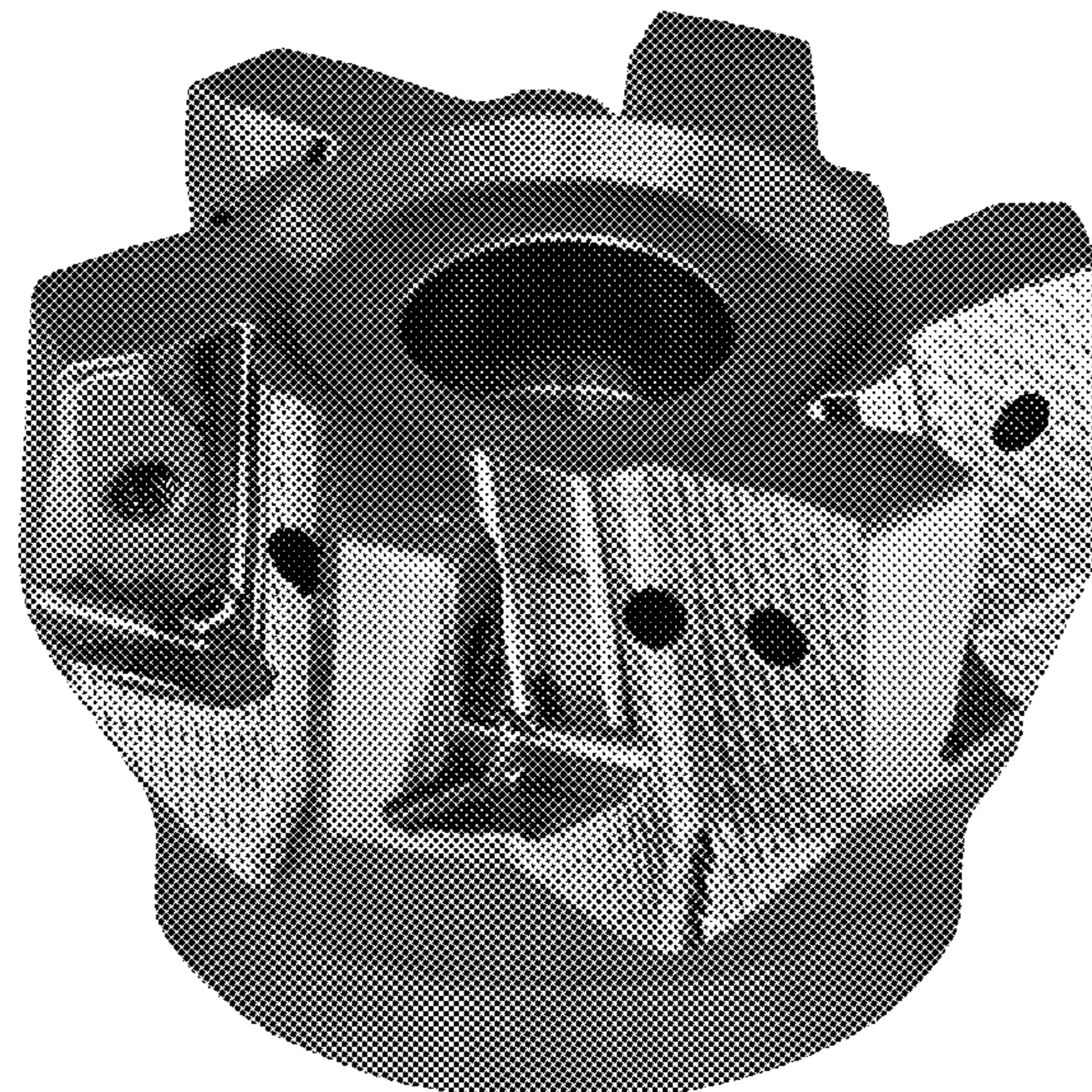
(52) **U.S. Cl.**
USPC **D15/139**

DESCRIPTION

(58) **Field of Classification Search**
USPC D15/128, 131, 138, 139, 140
CPC E21B 33/1208; E21B 23/00; E21B 10/00; E21B 10/42; E21B 10/54; E21B 10/55; E21B 10/602; E21B 17/00; E21B 17/023; E21B 17/06; E21B 19/14; E21B 19/155; E21B 21/103; E21B 23/02; E21B 23/14; E21B 29/00; E21B 29/005; E21B 29/02; E21B 29/06; E21B 31/107; E21B 31/113; E21B 31/12; E21B 33/12; E21B 33/128; E21B 33/129; E21B 33/1293; E21B

FIG. 1 is a perspective view of a milling cutter tool in accordance with our design;
FIG. 2 is a top plan view thereof;
FIG. 3 is a front elevational view thereof;
FIG. 4 is a left side elevational view thereof;
FIG. 5 is a rear elevational view thereof;
FIG. 6 is a right side elevational view thereof; and,
FIG. 7 is a bottom plan view thereof.
The area enclosed by the dot-dash boundary line represents portions of the milling cutter tool in which the design is embodied that form no part of the claimed design.

1 Claim, 7 Drawing Sheets



(56)

References Cited

U.S. PATENT DOCUMENTS

D862,542 S * 10/2019 Maeda D15/139
D863,382 S * 10/2019 Abe D15/139
D879,168 S * 3/2020 Zhao D15/139
D896,850 S * 9/2020 Stark D15/29
2007/0231088 A1 10/2007 Waggle et al.

* cited by examiner

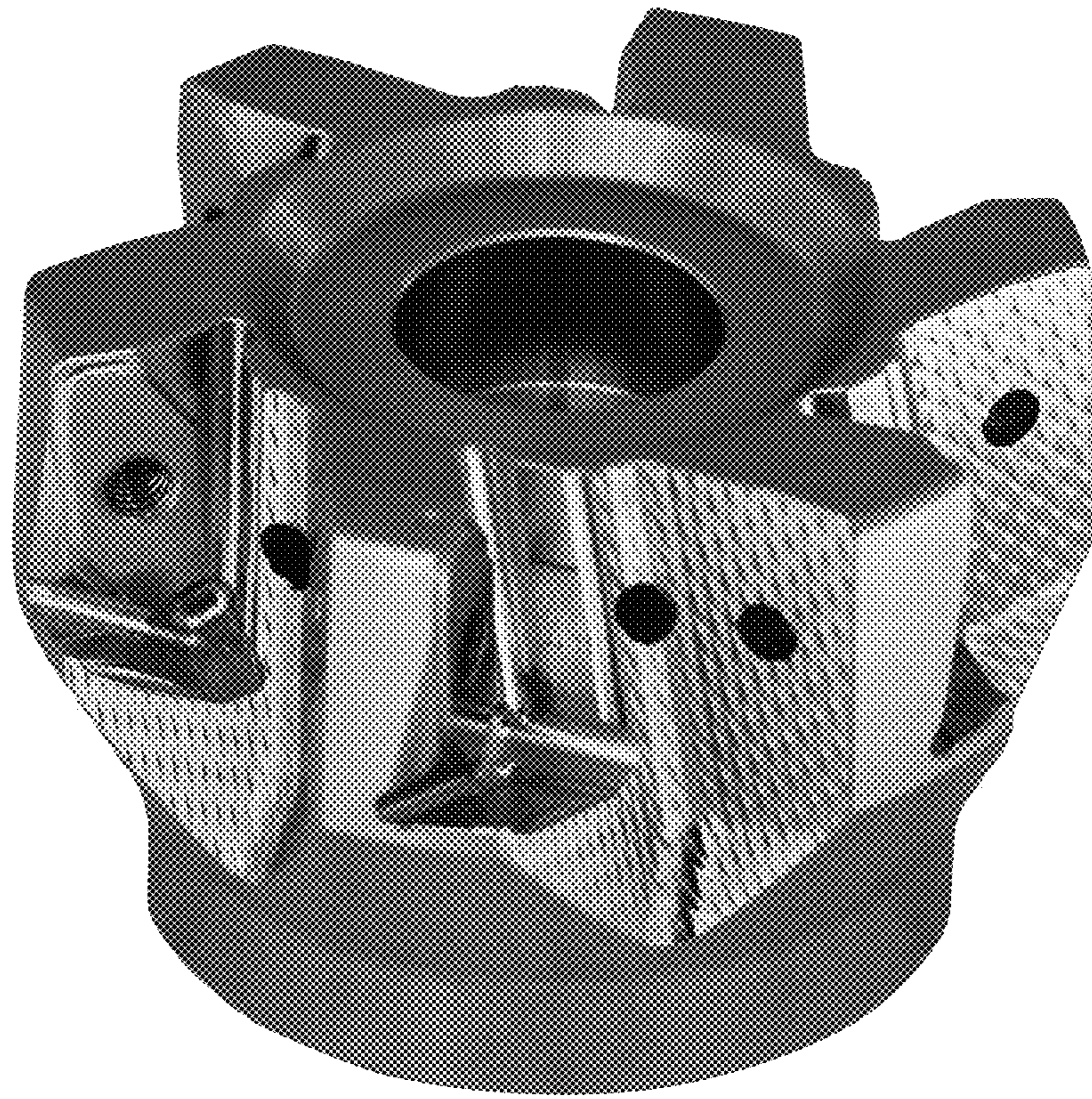


Fig. 1

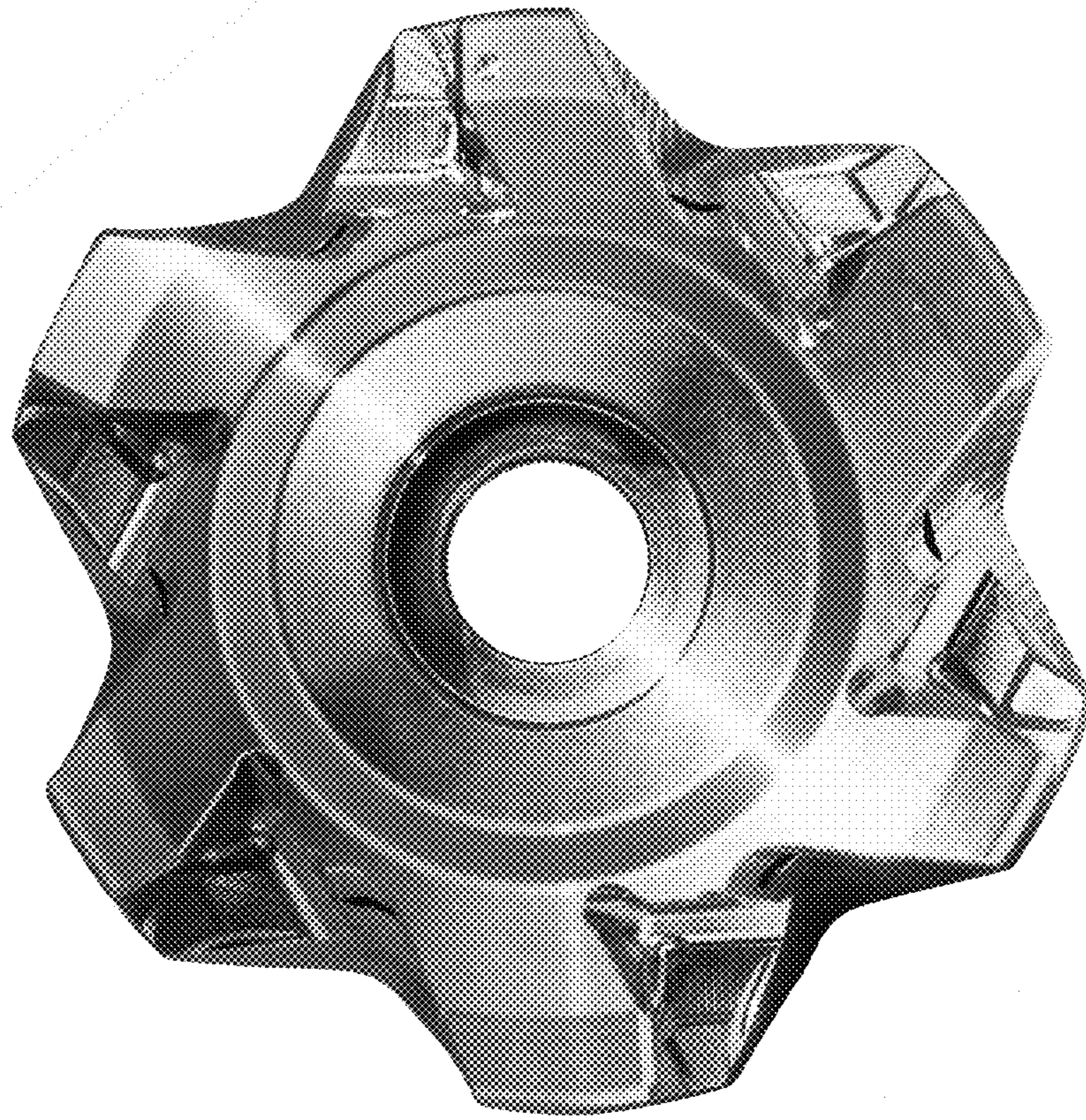


Fig. 2

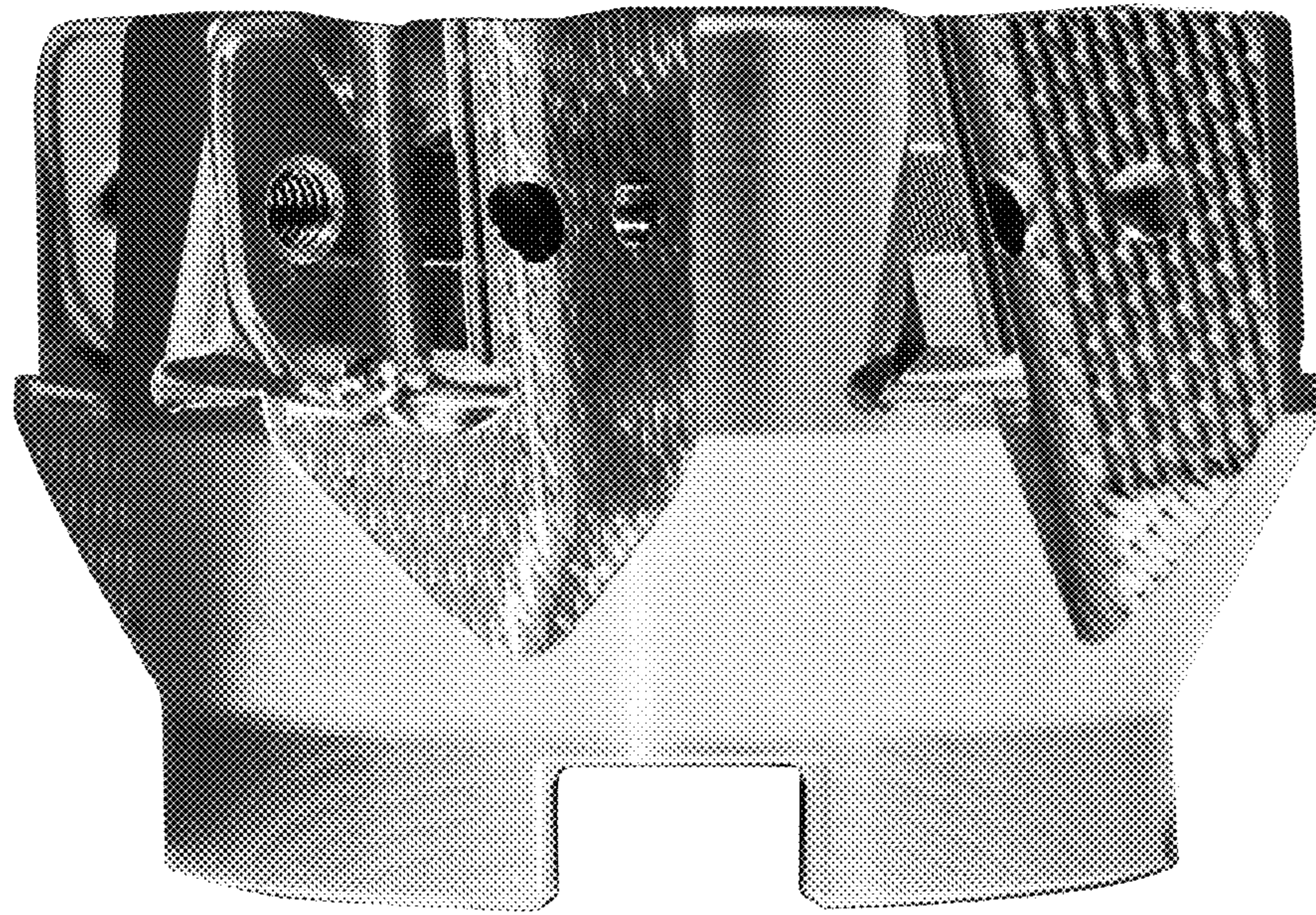


Fig. 3

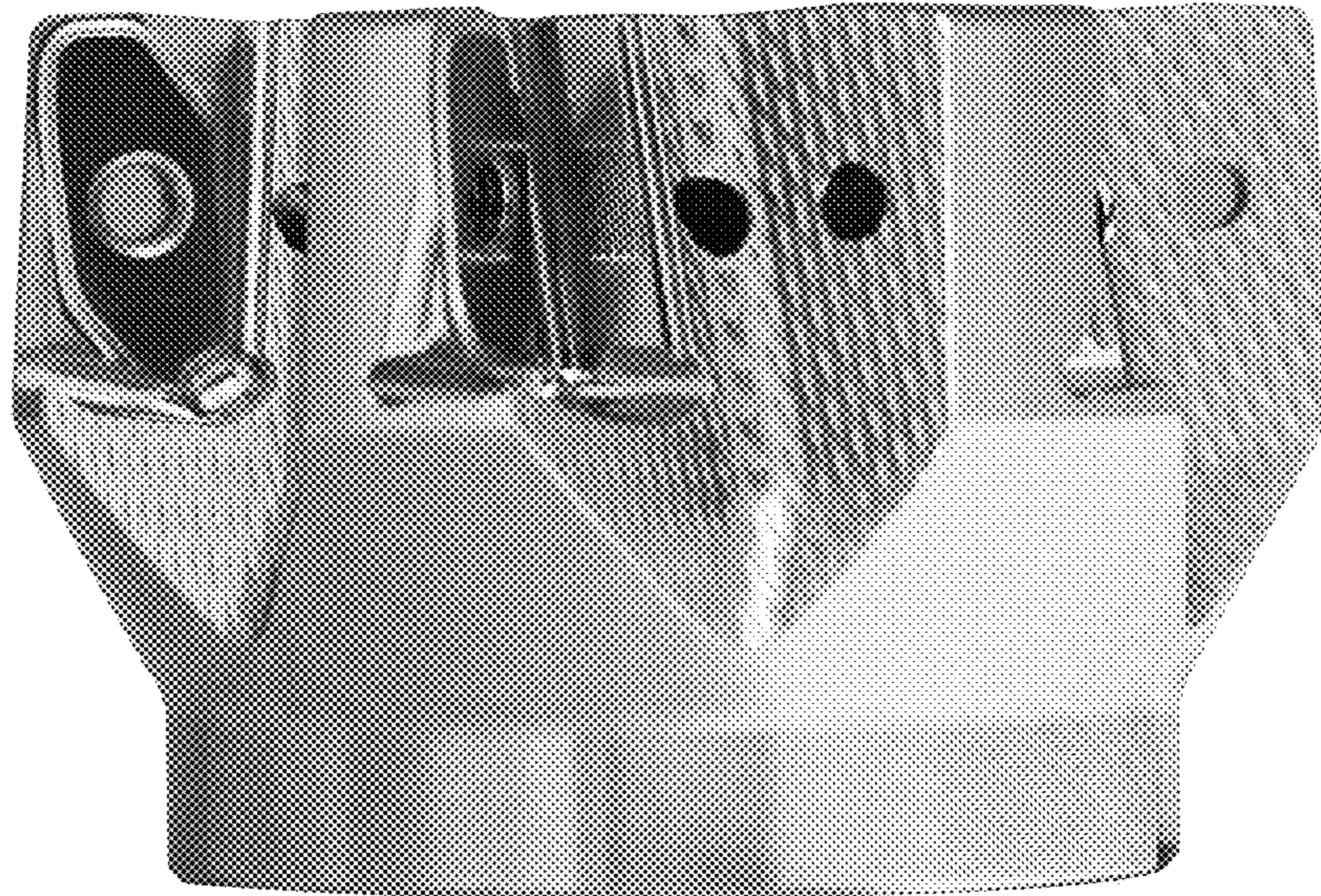


Fig. 4

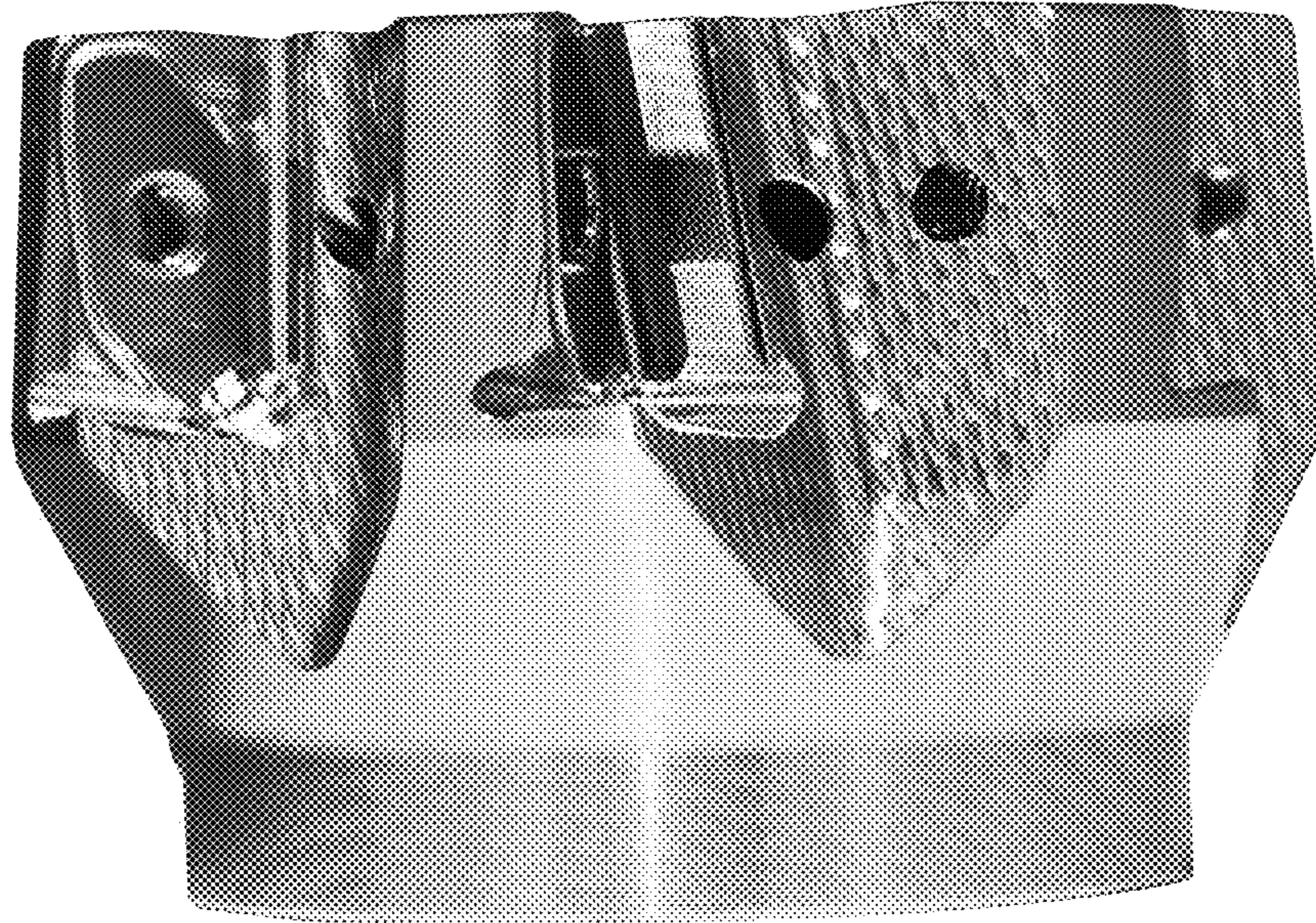


Fig. 5

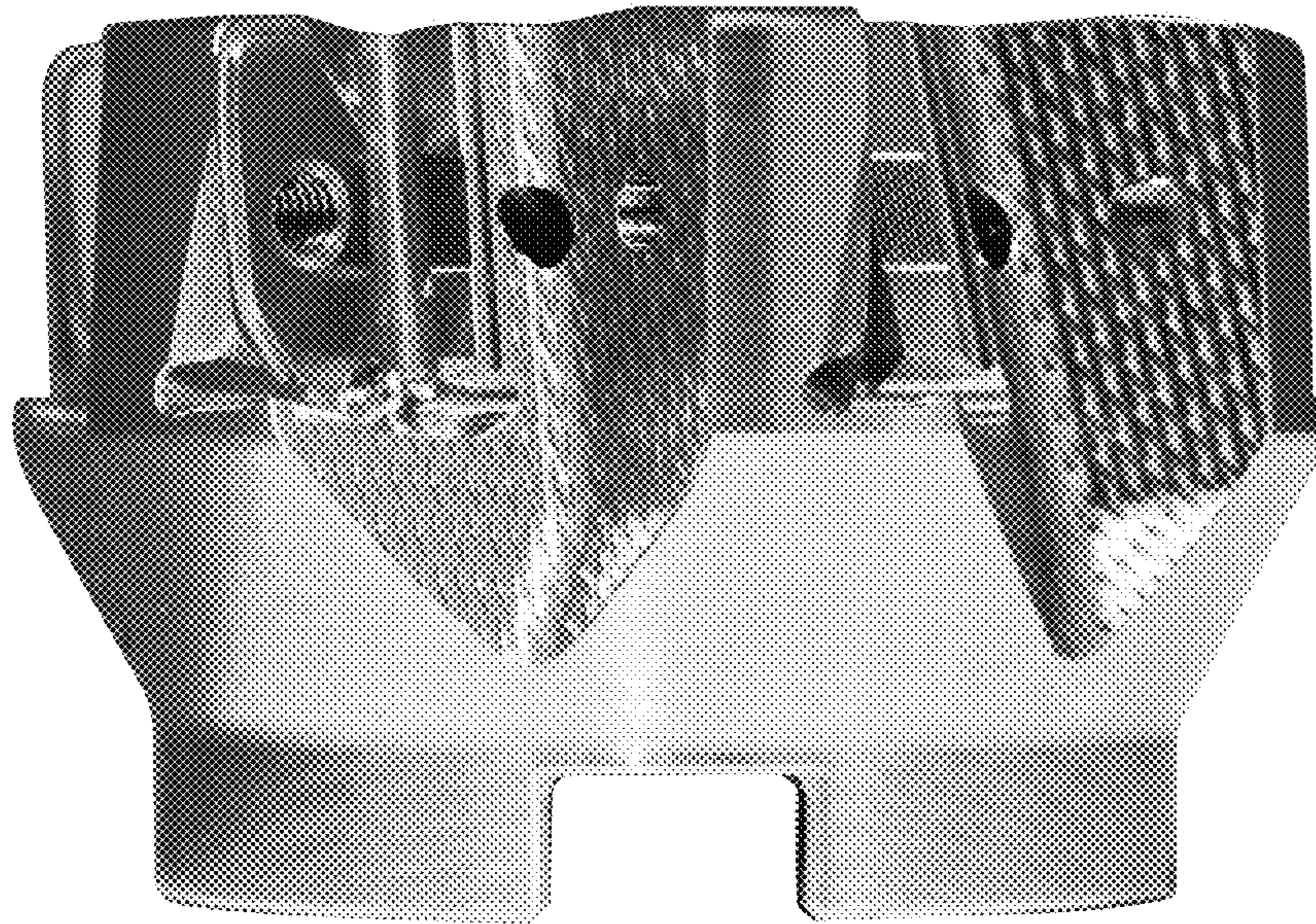


Fig. 6

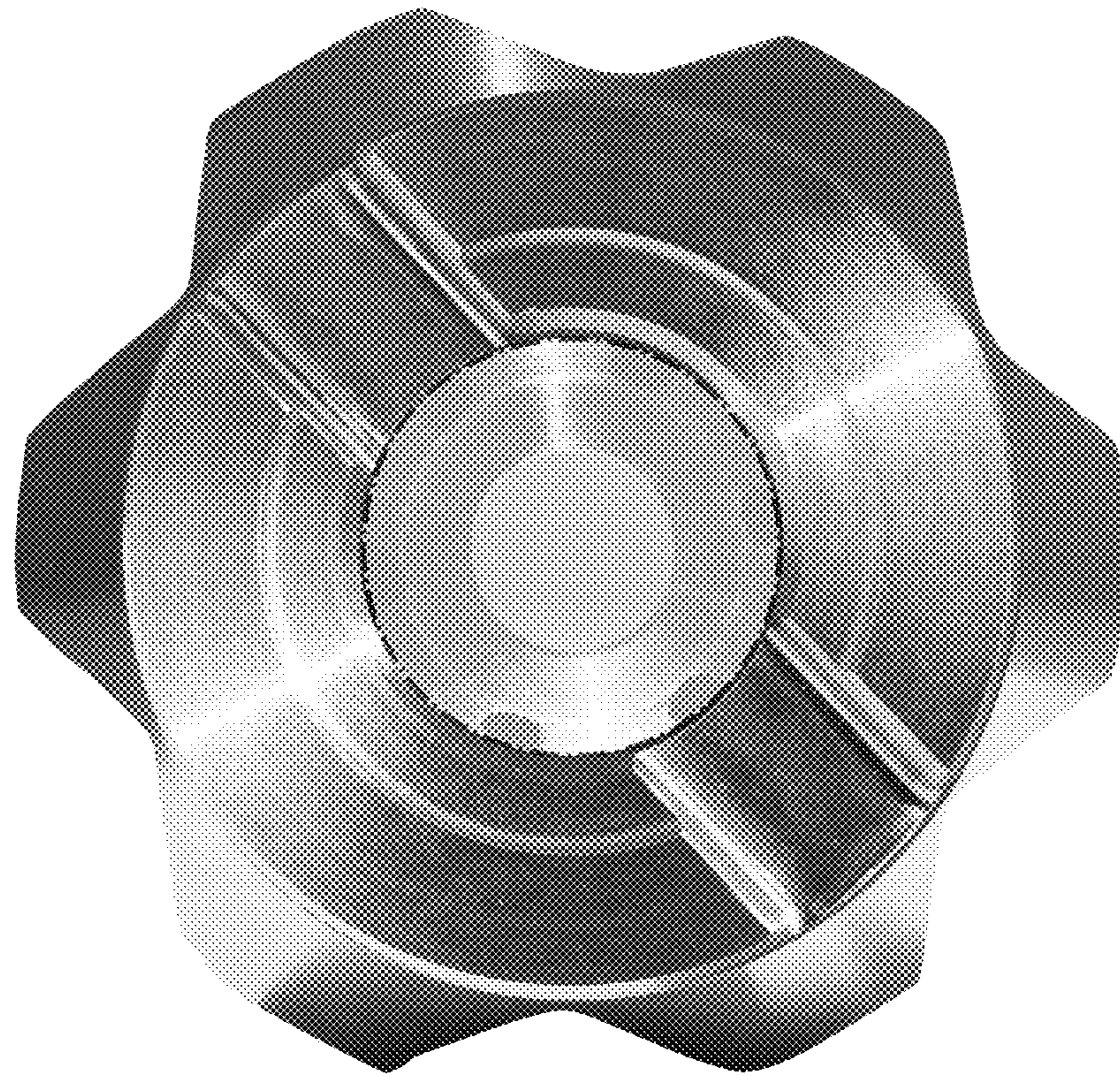


Fig. 7