



US00D983848S

(12) **United States Design Patent**
Sakazaki et al.

(10) **Patent No.:** **US D983,848 S**
(45) **Date of Patent:** **** Apr. 18, 2023**

(54) **SOFT MOLD TRANSFER CONTAINER LID**

DESCRIPTION

- (71) Applicant: **FUJIFILM Corporation**, Tokyo (JP)
- (72) Inventors: **Yoshiki Sakazaki**, Ashigarakami-gun (JP); **Toshihiro Usa**, Ashigarakami-gun (JP)
- (73) Assignee: **FUJIFILM Corporation**, Tokyo (JP)
- (**) Term: **15 Years**
- (21) Appl. No.: **29/697,496**
- (22) Filed: **Jul. 9, 2019**

(30) **Foreign Application Priority Data**

Jan. 11, 2019 (JP) 2019-000493

(51) **LOC (14) Cl.** **15-09**

(52) **U.S. Cl.**
USPC **D15/136**

(58) **Field of Classification Search**
USPC D24/100, 108, 112, 130, 232; D8/71,
D8/383, 396, 397, 399; D9/435, 445,
(Continued)

(56) **References Cited**

U.S. PATENT DOCUMENTS

4,208,154 A * 6/1980 Gundy B28D 1/041
125/20

D308,011 S * 5/1990 Norris D8/382
(Continued)

Primary Examiner — Calvin E Vansant
Assistant Examiner — Mark T. Philipps
(74) *Attorney, Agent, or Firm* — Birch, Stewart, Kolasch
& Birch, LLP

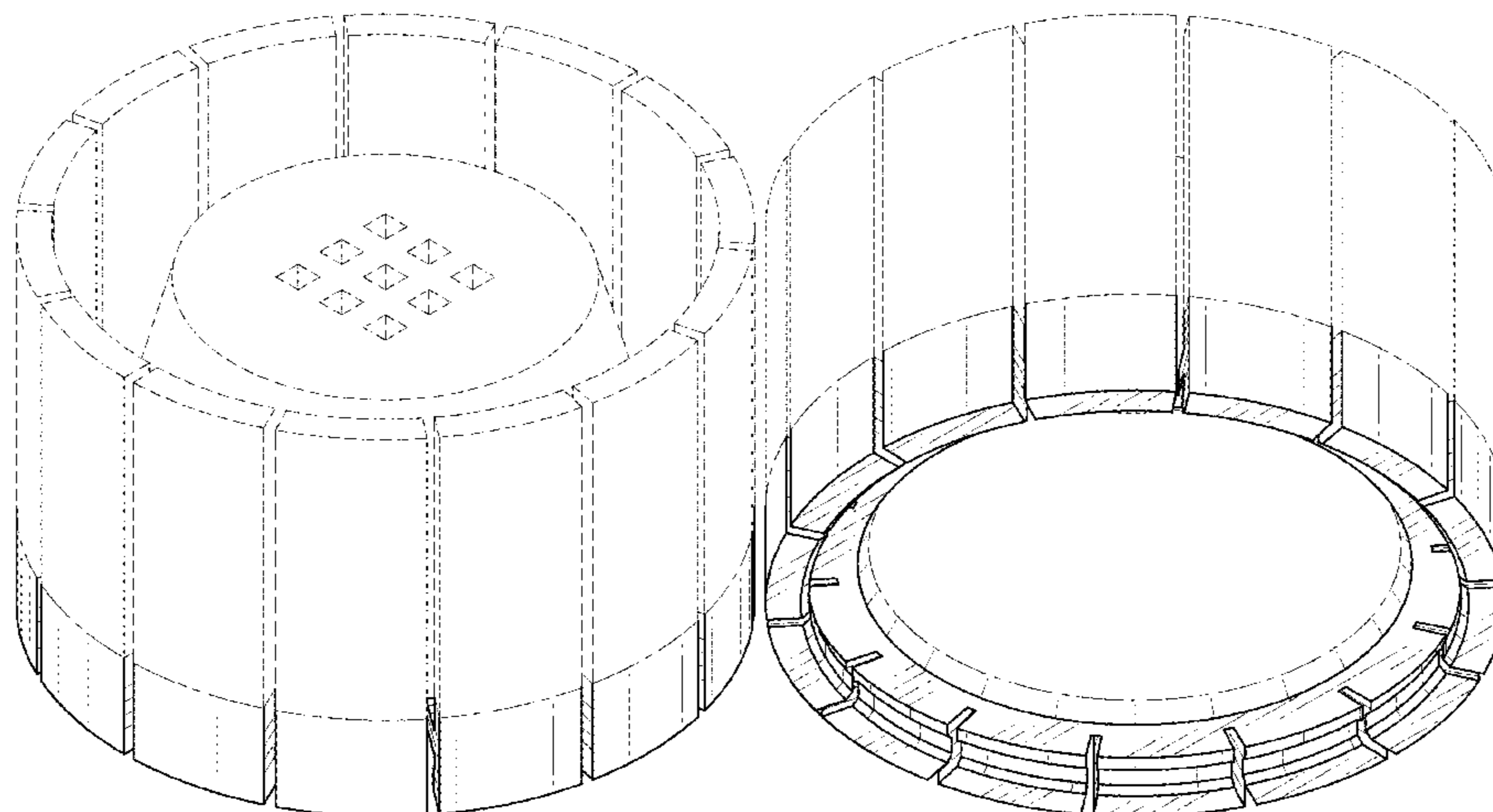
(57) **CLAIM**

The ornamental design for a soft mold transfer container lid,
as shown and described.

FIG. 1 is a top, front and right side perspective view of a soft mold transfer container lid in accordance with my new design;
 FIG. 2 is a bottom, rear and left side perspective view thereof;
 FIG. 3 is a front elevational view thereof;
 FIG. 4 is a top plan view thereof;
 FIG. 5 is a bottom plan view thereof;
 FIG. 6 is a right side elevational view thereof;
 FIG. 7 is a cross-sectional view thereof taken along line VII-VII of FIG. 4;
 FIG. 8 is a cross-sectional view thereof taken along line VIII-VIII of FIG. 4;
 FIG. 9 is a top, front and right side perspective view thereof in a manner of use, a soft mold is placed on a container body, and the present article before attaching to the container body;
 FIG. 10 is a top, front and right side perspective view thereof in a manner of use, the soft mold being placed on the container body, the container body positioned by the chuck, for filling the soft mold with a medicine is performed, and the present article before attaching to the container body;
 FIG. 11 is a cross-sectional view thereof in a manner of use, in a state where the soft mold is housed in the container body and the present article, for drying the filled medicine;
 FIG. 12 is a top, front and right side perspective view thereof in a manner of use, in a state where the soft mold is housed in the container body and the present article, for drying the filled medicine;
 FIG. 13 is a cross-sectional view thereof in a manner of use, in a state where the soft mold is housed in the container body, and the present article before detaching to the container body; and,
 FIG. 14 is a top, front and right side perspective view thereof in a manner of use, the present article is detached from the container body, and a microneedle array is released from the soft mold.

The broken lines depict portions of the soft mold transfer case in which the design is embodied that form no part of the

(Continued)



claimed design. Additionally, the dash-dot lines denote the boundary of the claim and form no part of the claimed design.

1 Claim, 14 Drawing Sheets

(58) Field of Classification Search

USPC D9/452, 453; D7/672; D15/123, 128,
D15/135, 136, 138, 139, 140, 143
CPC B29C 33/20; B29C 33/424; B29C 39/26;
B29C 39/026; A61M 37/0015
See application file for complete search history.

(56) References Cited

U.S. PATENT DOCUMENTS

D342,270 S * 12/1993 Kwang D15/139
D356,320 S * 3/1995 Catalanotti D15/138

D364,882 S * 12/1995 Junkers D15/199
D391,628 S * 3/1998 Carwile D23/269
D466,139 S * 11/2002 Kim D15/139
D642,089 S * 7/2011 Chan D11/220
D728,420 S * 5/2015 Leung D11/220
D732,480 S * 6/2015 Makinen D13/149
D735,033 S * 7/2015 Lynd D9/435
D739,233 S * 9/2015 Antal, Sr. D9/435
9,500,036 B2 * 11/2016 Pearce E21B 10/02
D802,407 S * 11/2017 Foerster, Jr. D8/387
D820,086 S * 6/2018 Lynd D9/454
D823,907 S * 7/2018 Hoop D15/138
D831,082 S * 10/2018 Hoop D15/138
D885,880 S * 6/2020 Li D8/397
10,702,975 B2 * 7/2020 Pearce C22C 49/00
D914,492 S * 3/2021 Linder D8/399
D925,345 S * 7/2021 Slocum D23/262
2019/0351588 A1 * 11/2019 Sakazaki B29C 33/20

* cited by examiner

FIG. 1

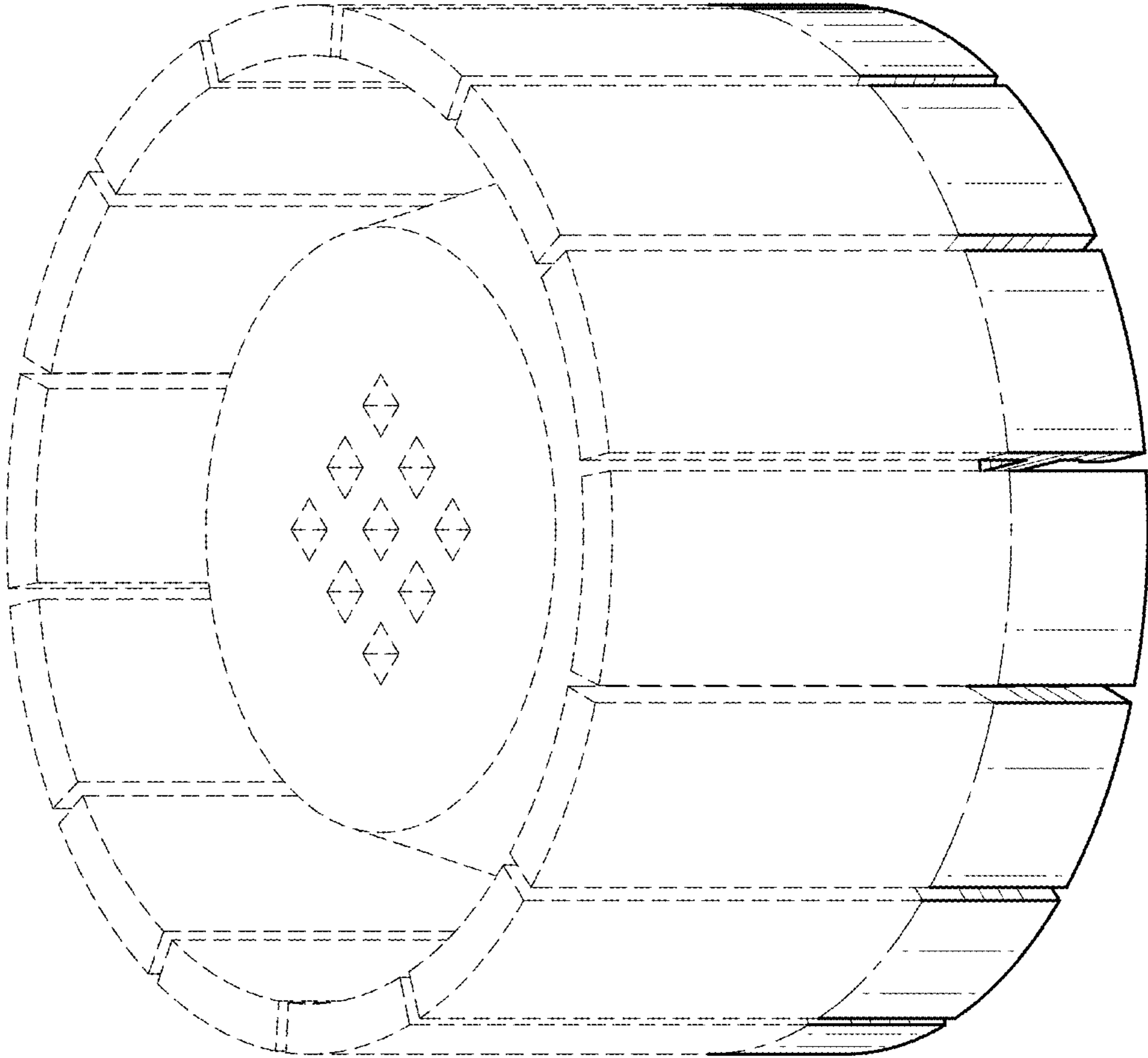


FIG. 2

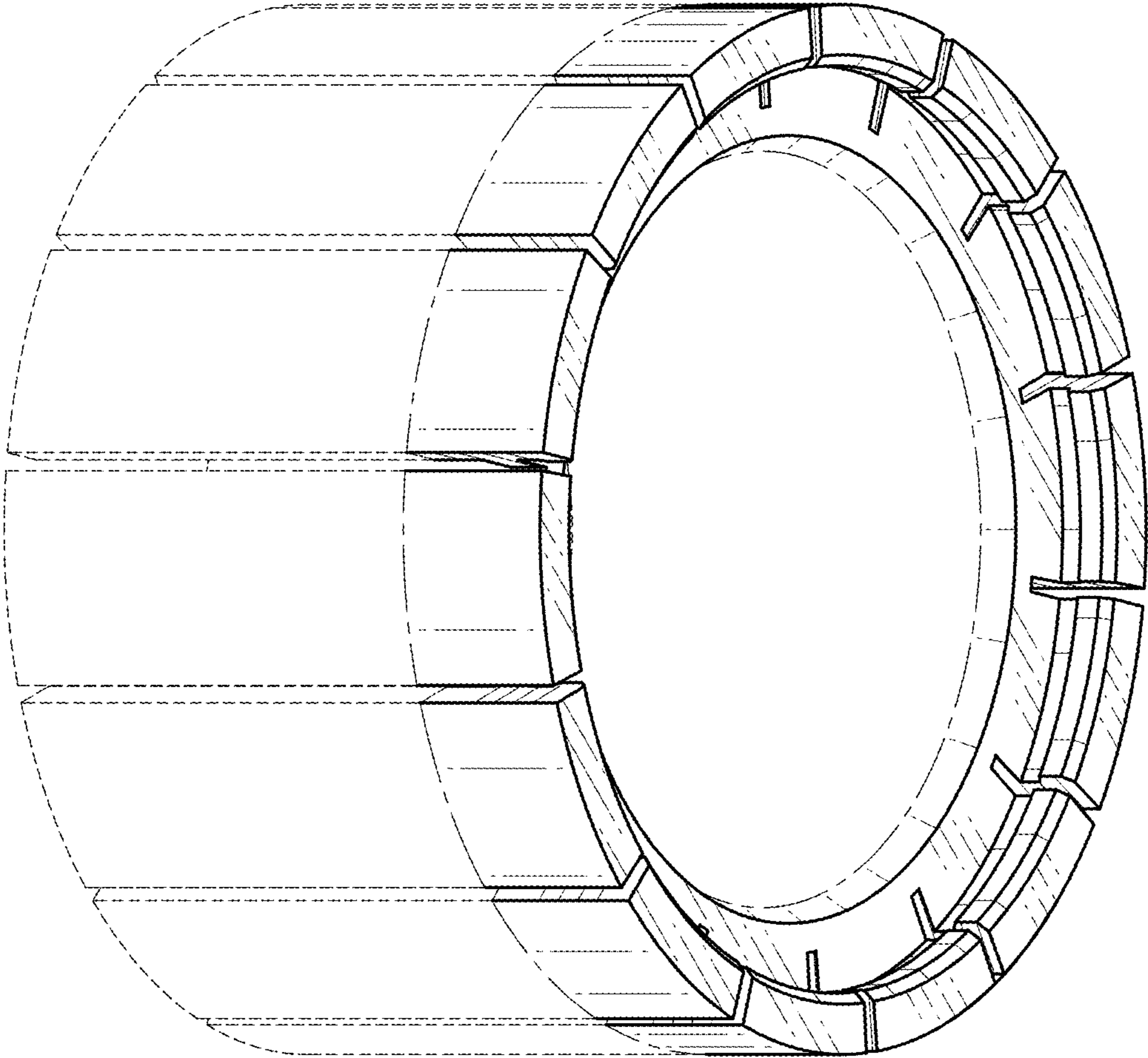


FIG. 3

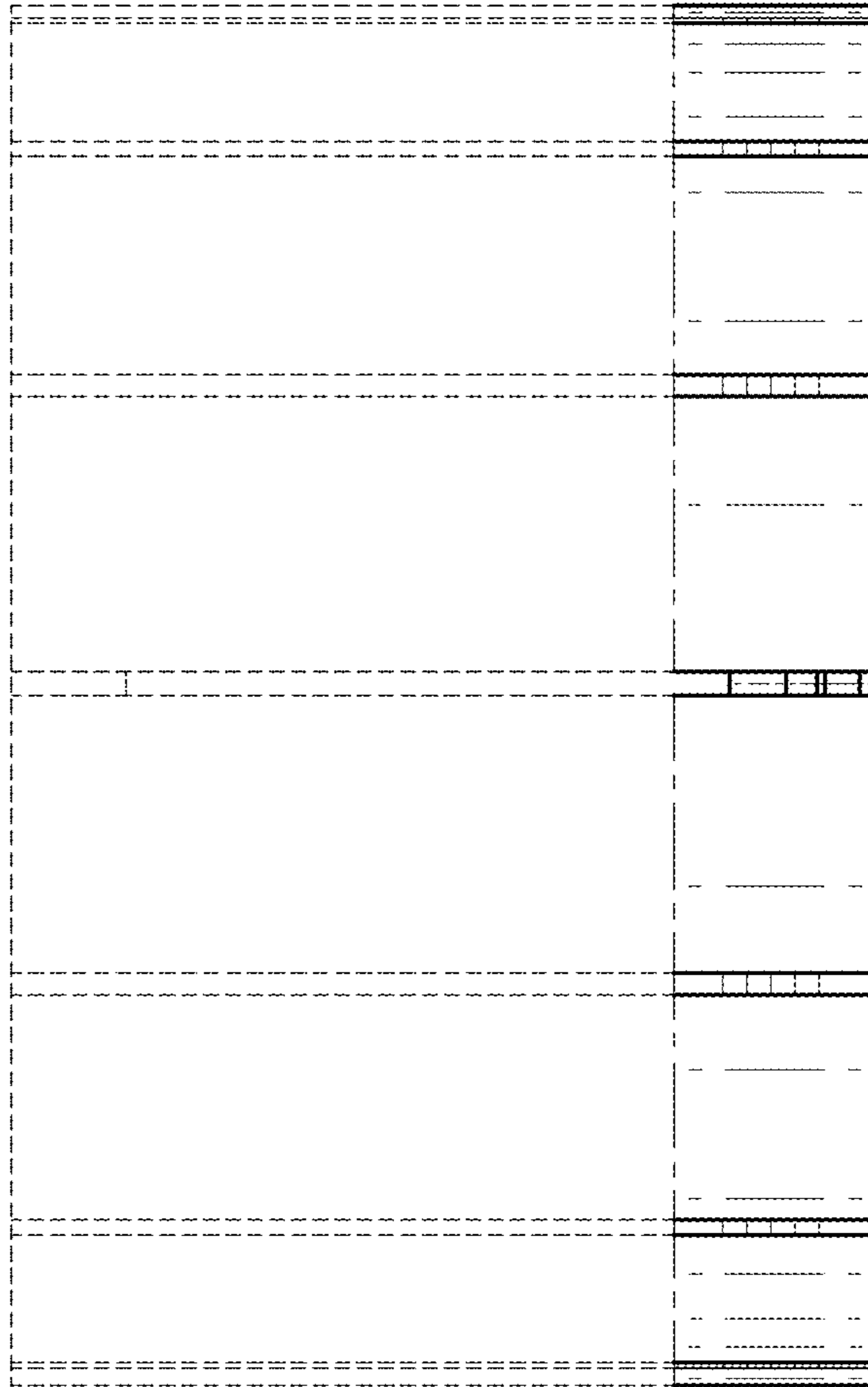


FIG. 4

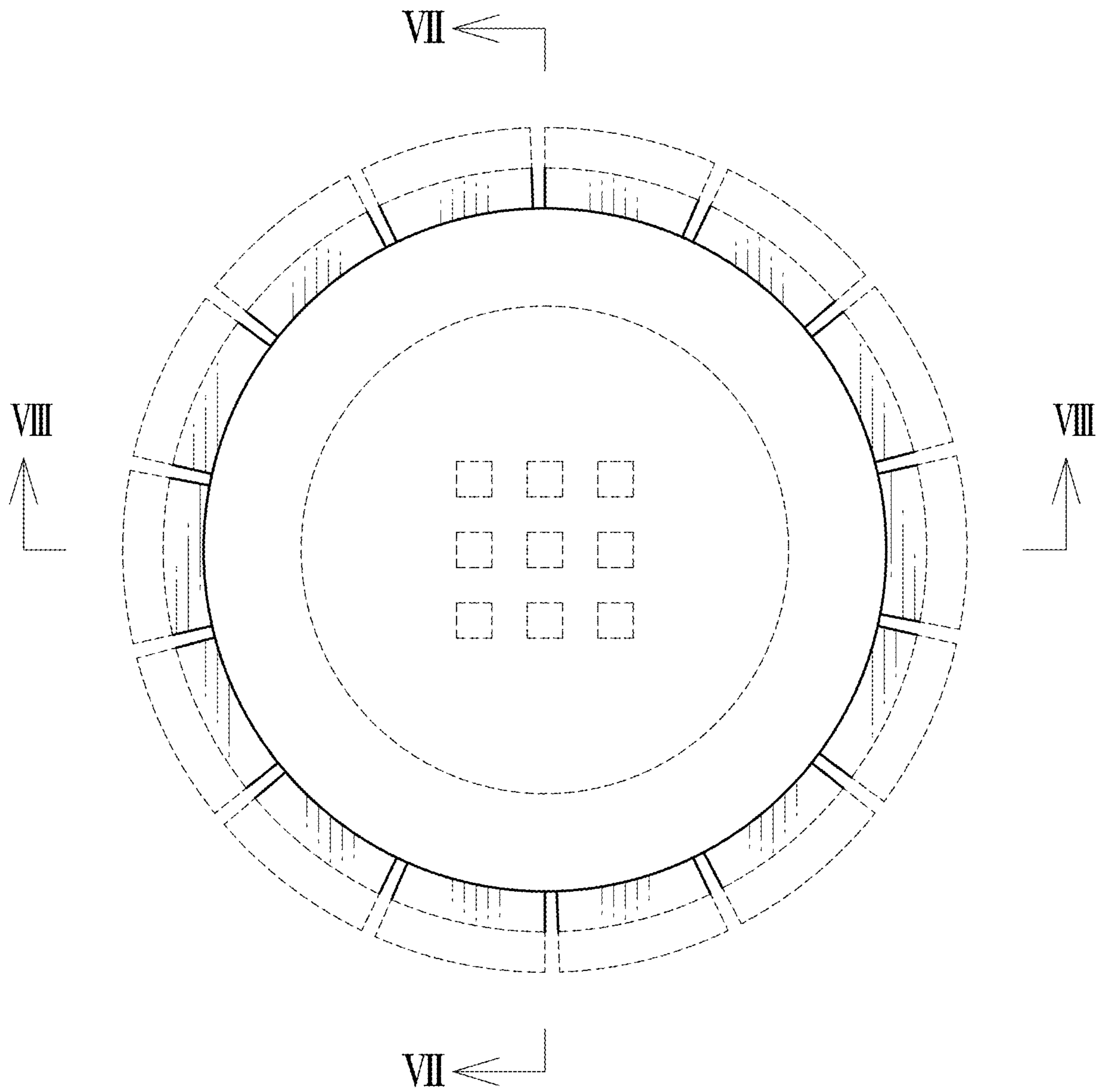


FIG. 5

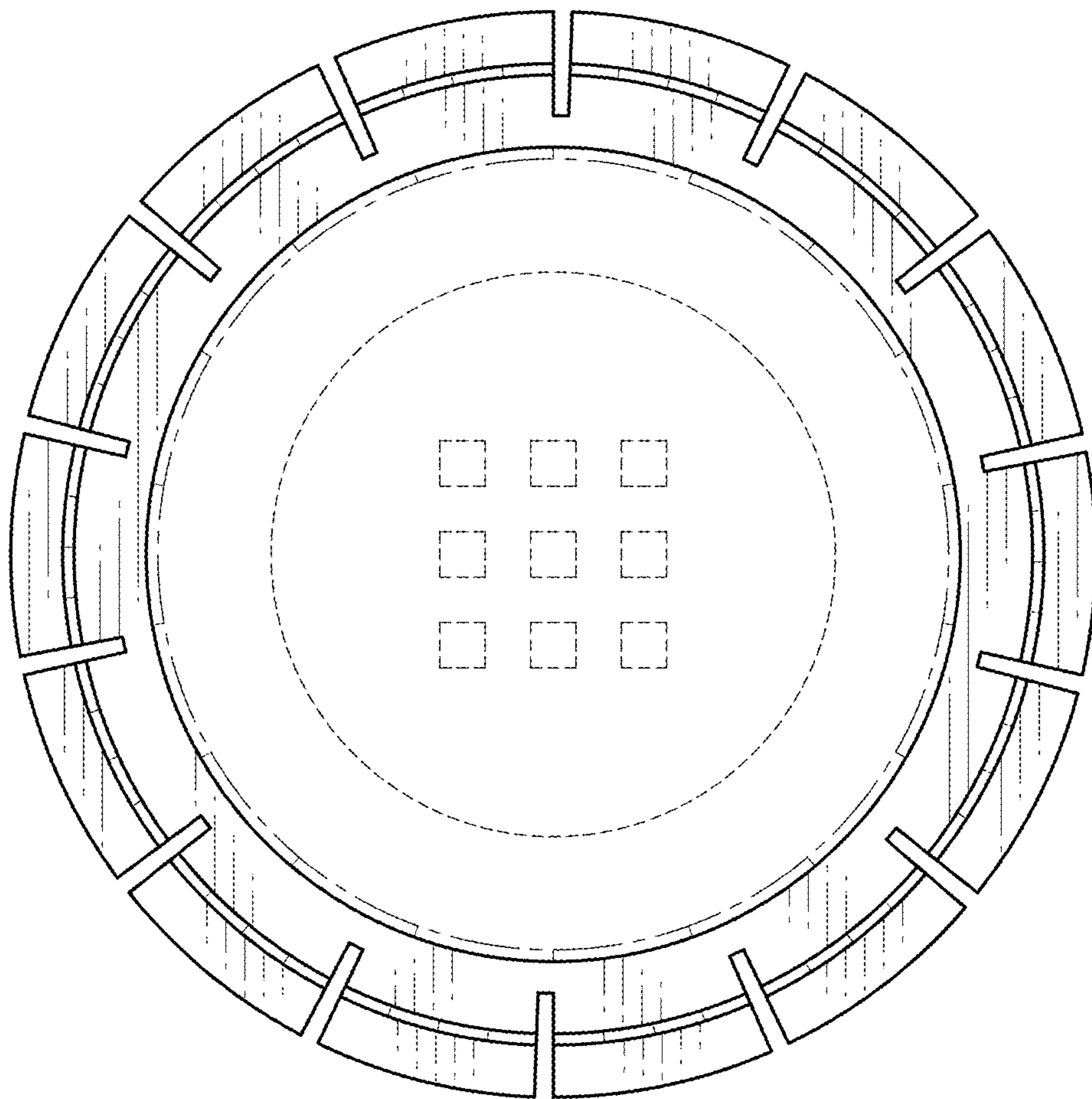


FIG. 6

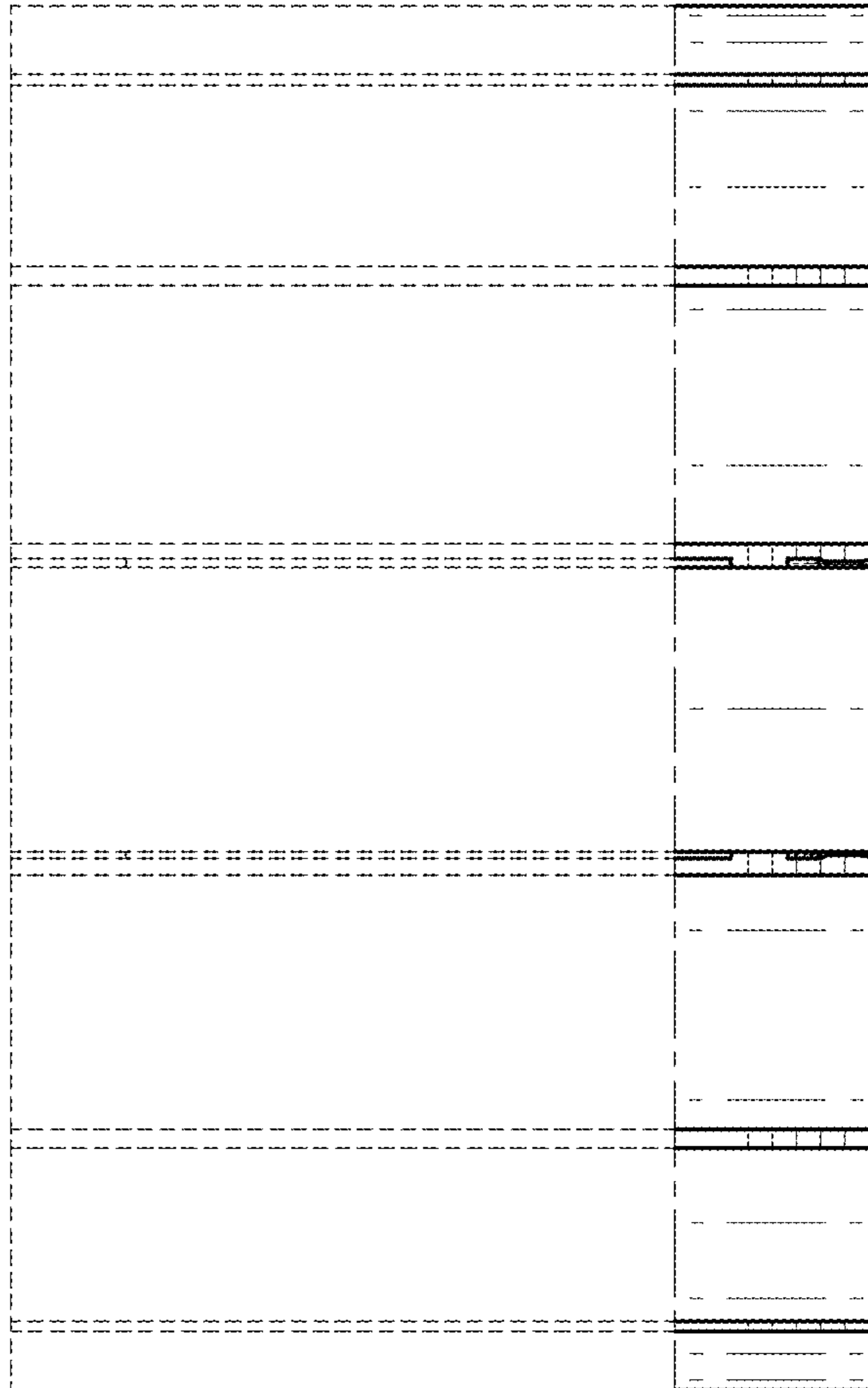


FIG. 7

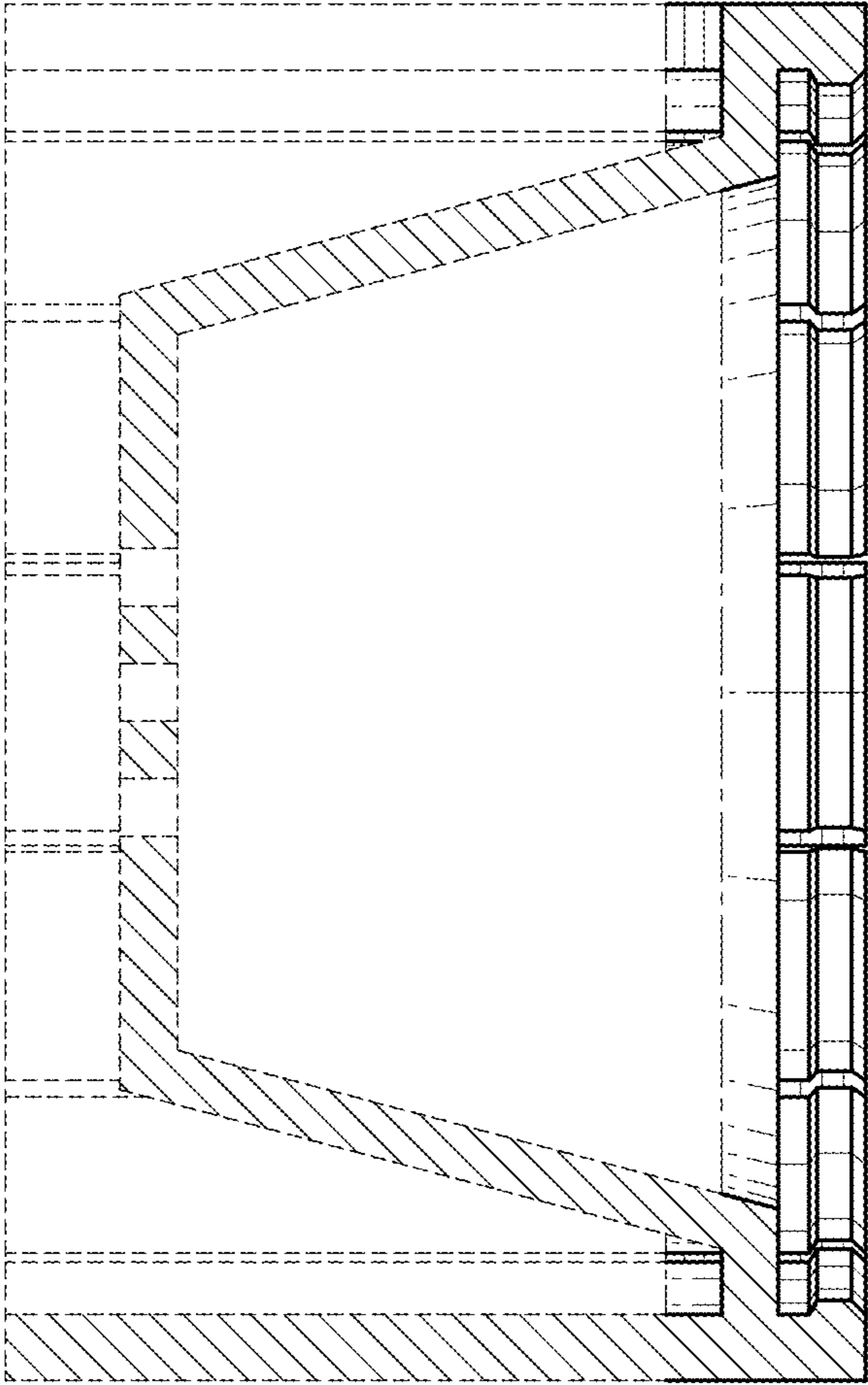


FIG. 8

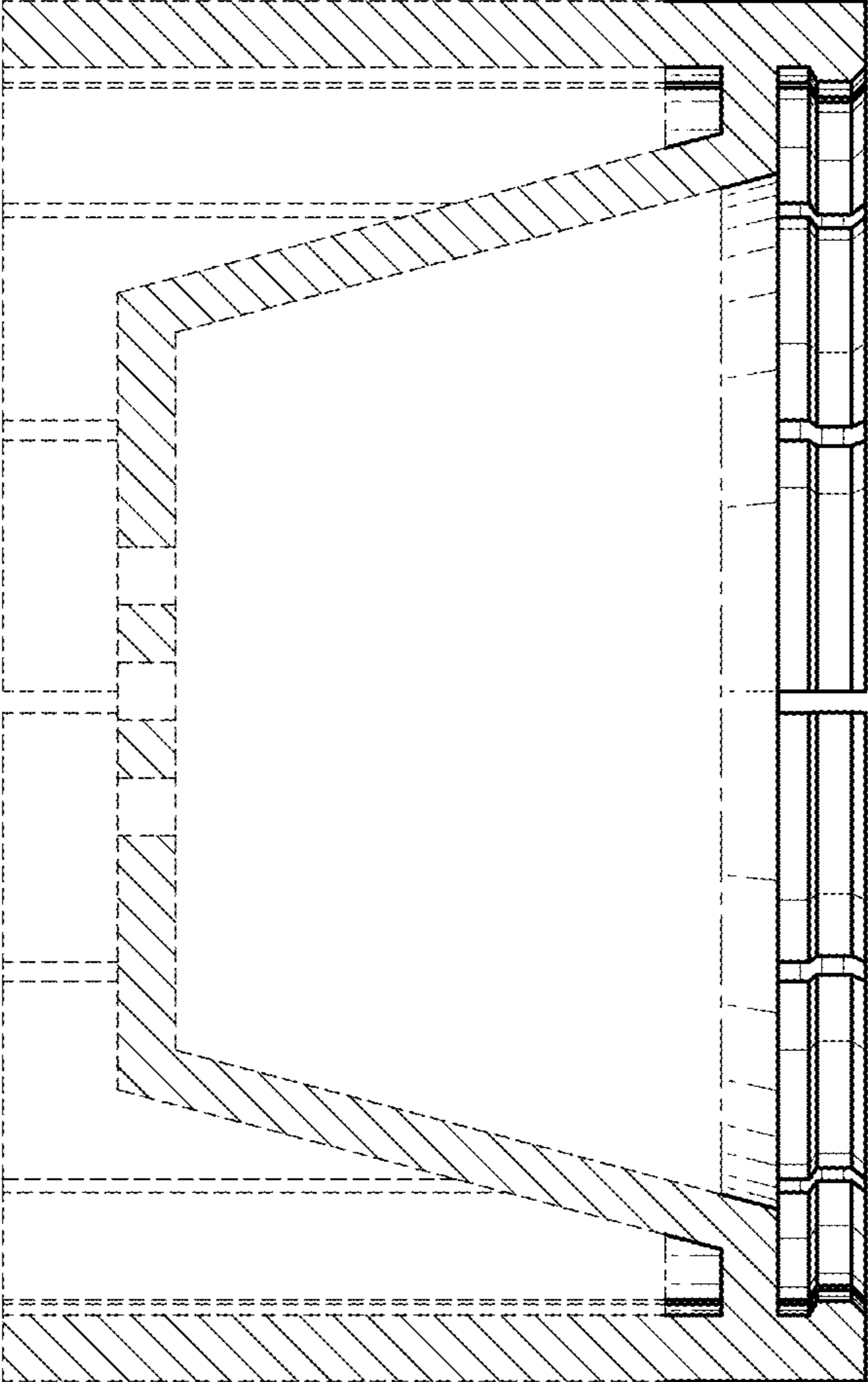


FIG. 9

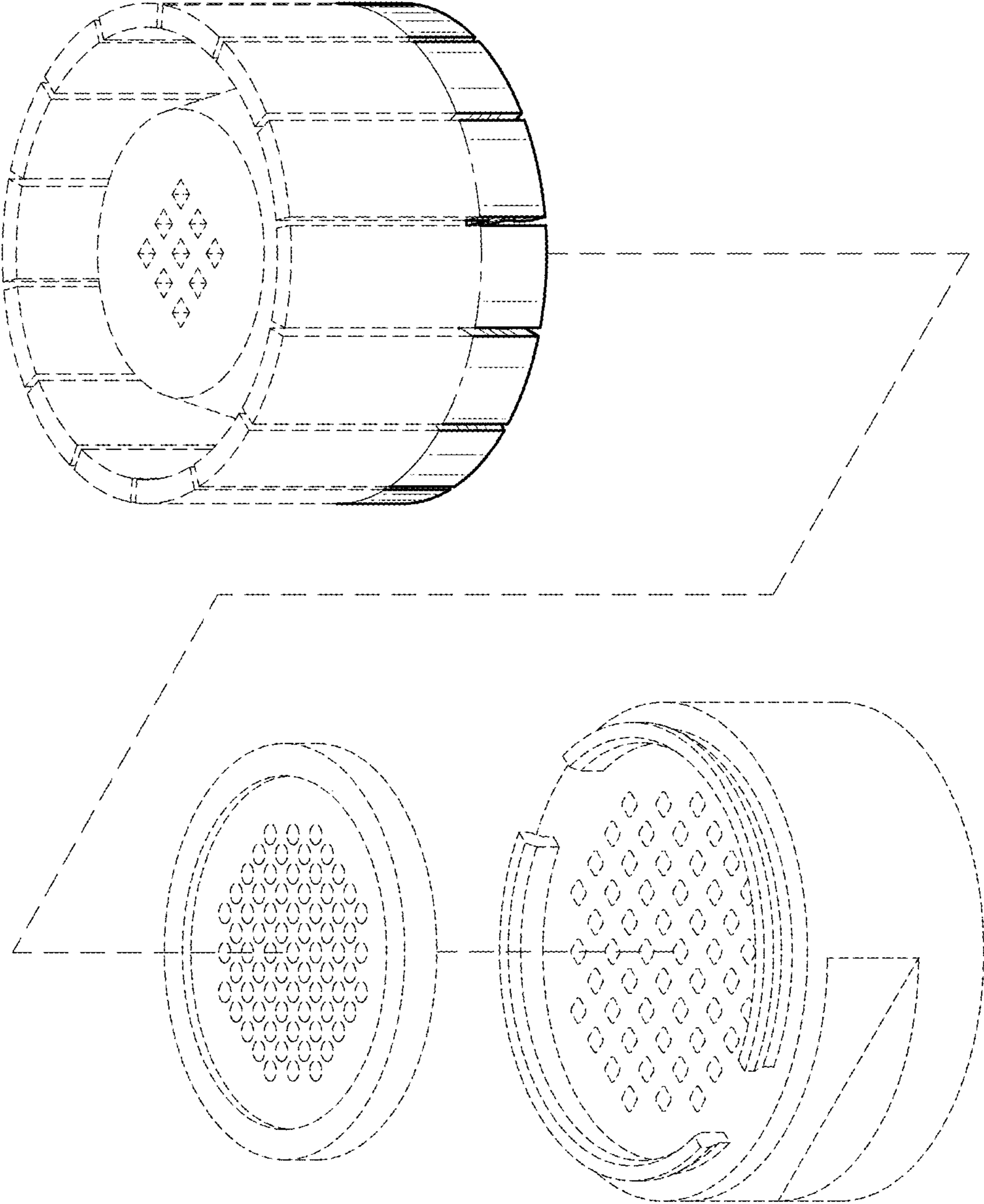


FIG. 10

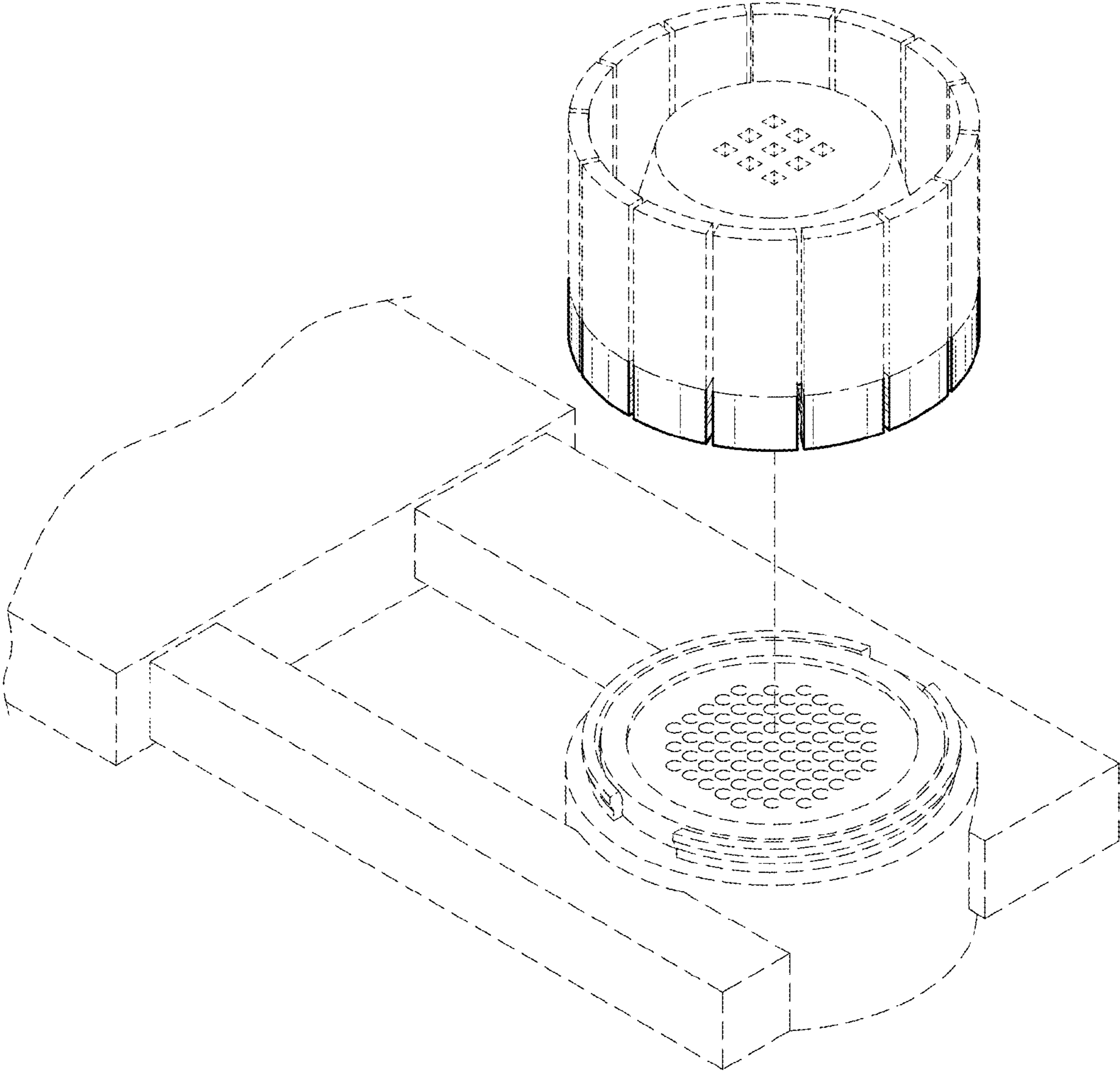


FIG. 11

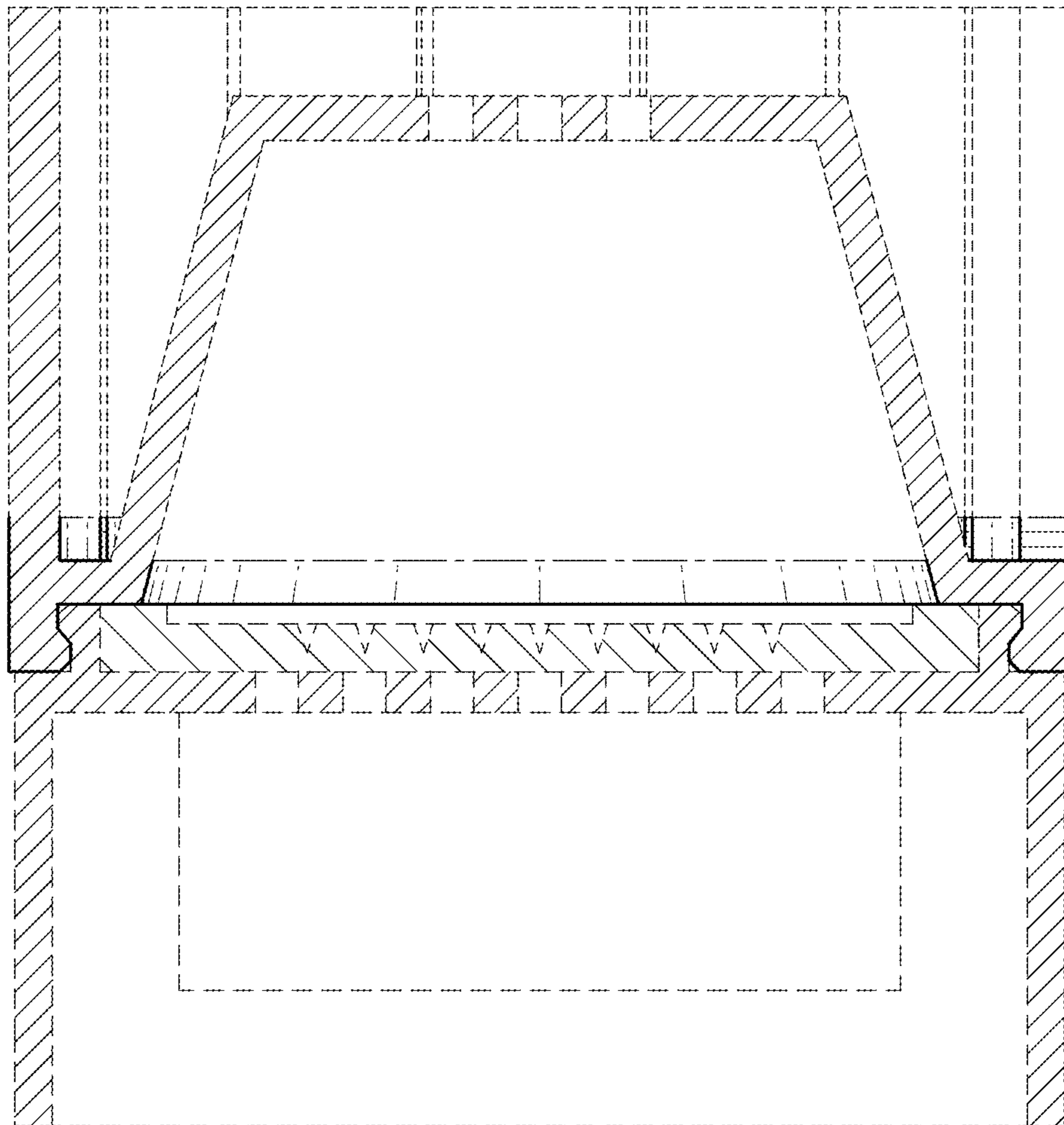


FIG. 12

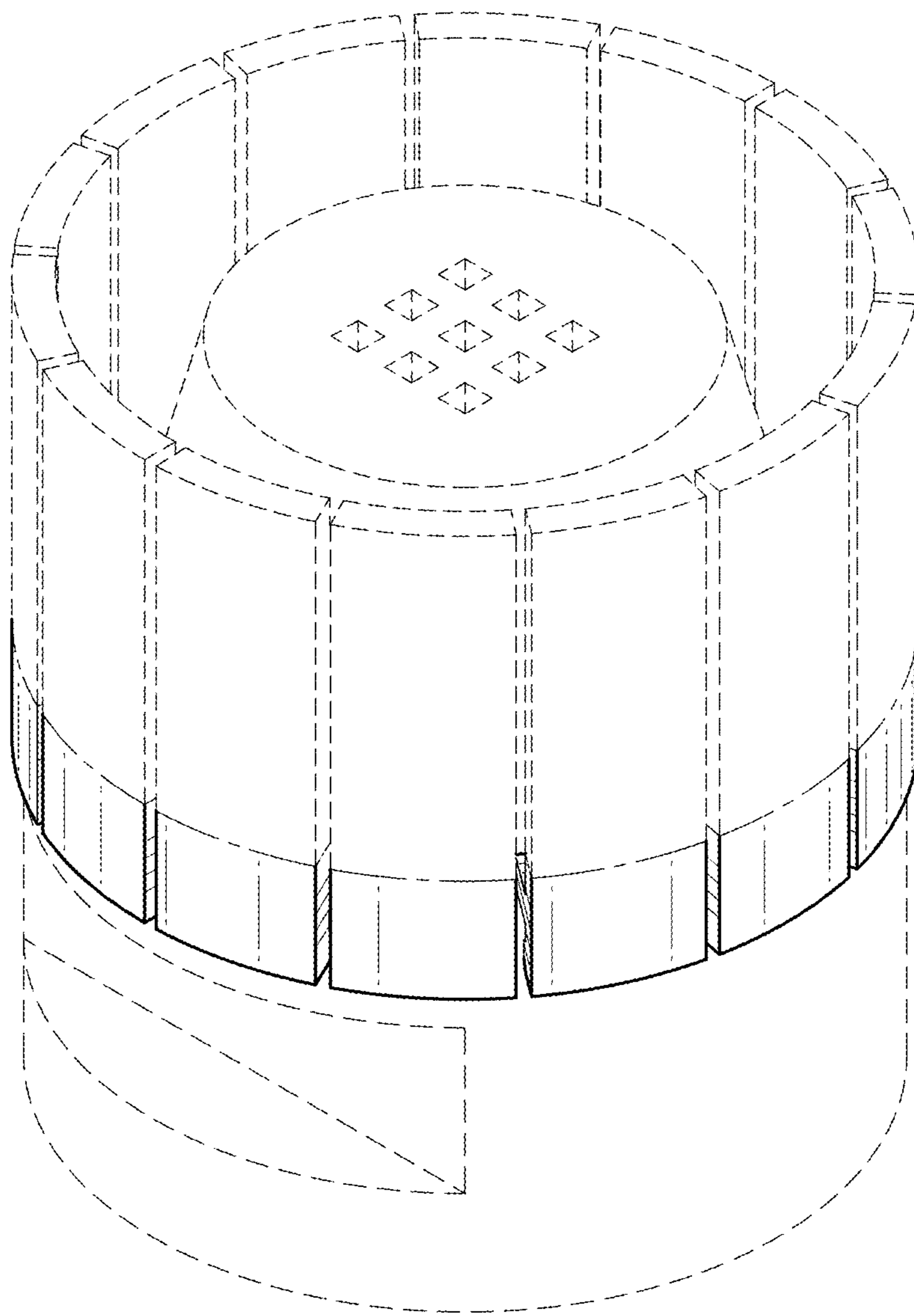


FIG. 13

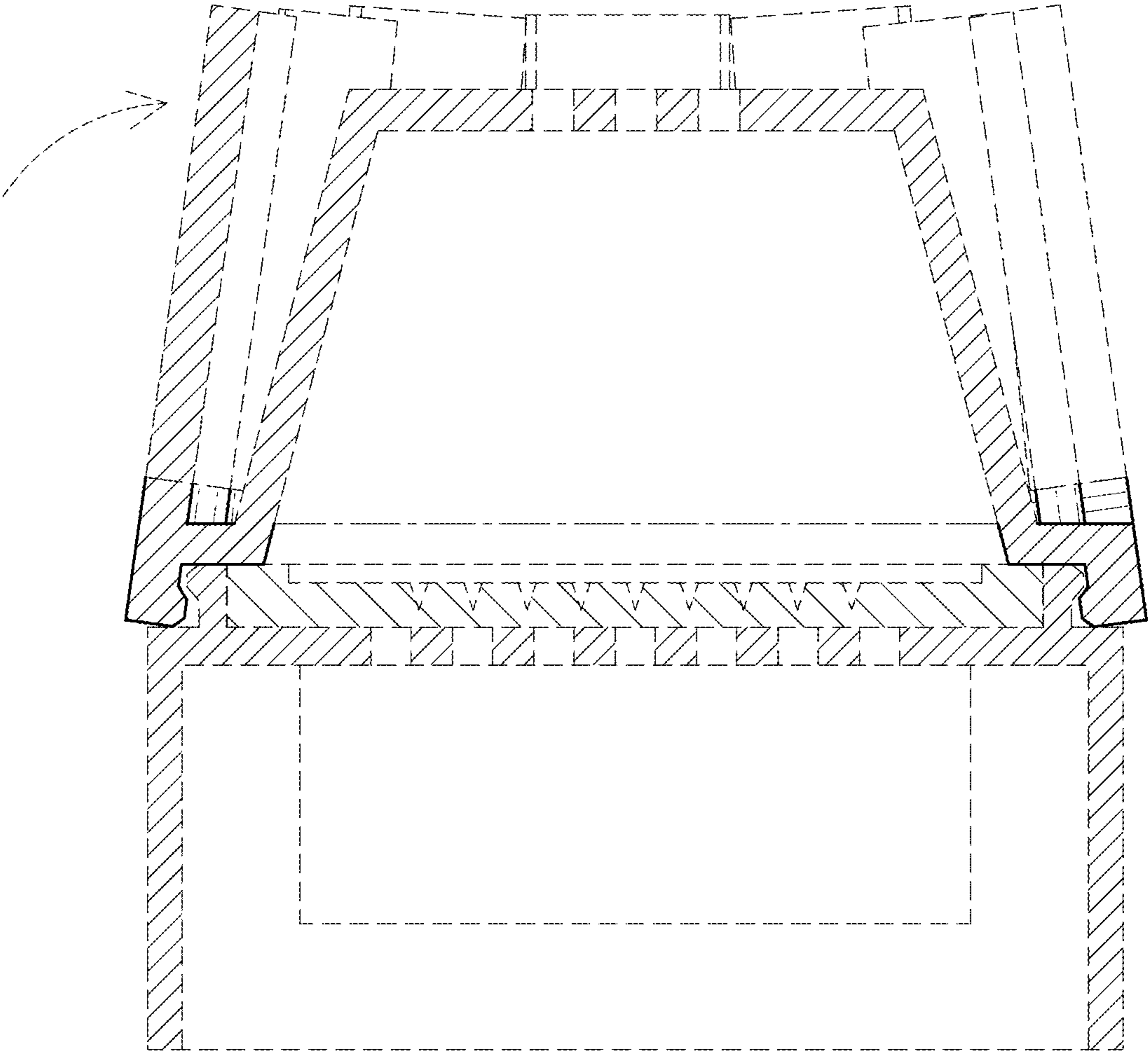


FIG. 14

