



US00D983846S

(12) **United States Design Patent** (10) **Patent No.:** **US D983,846 S**  
**Sim et al.** (45) **Date of Patent:** **\*\* Apr. 18, 2023**

(54) **REFRIGERATOR**

(71) Applicant: **Samsung Electronics Co., Ltd.**,  
Suwon-si (KR)

(72) Inventors: **Hyunjoo Sim**, Suwon-si (KR);  
**Choongeun Lee**, Suwon-si (KR)

(73) Assignee: **Samsung Electronics Co., Ltd.**,  
Suwon-si (KR)

(\*\*) Term: **15 Years**

(21) Appl. No.: **29/810,100**

(22) Filed: **Oct. 1, 2021**

(30) **Foreign Application Priority Data**

May 12, 2021 (KR) ..... 30-2021-0022792

(51) **LOC (14) Cl.** ..... **15-07**

(52) **U.S. Cl.**  
USPC ..... **D15/89**

(58) **Field of Classification Search**  
USPC ..... D15/79-91  
CPC .. F25D 11/00; F25D 17/065; F25D 2325/022;  
F25D 23/069; F25D 25/025; F25D 11/02;  
F25D 17/062; F25D 21/12; F25D 21/125;  
F25D 21/14; F25D 2317/061; F25D  
2317/067; F25D 2323/021; F25D  
2323/024; F25D 23/028; F25D 23/04;  
F25D 23/066; F25D 23/085; F25D  
23/087; F25D 23/126; F25D 2400/02;  
F25D 2400/06; F25D 2400/361; F25D  
2400/40; F25D 25/005; F25D 25/02;  
F25D 2600/02; F25D 2700/02; F25D  
2700/12; F25D 2700/121; F25D 2700/14;  
F25D 29/00

See application file for complete search history.

(56) **References Cited**

U.S. PATENT DOCUMENTS

D734,784 S *	7/2015	Kim	.....	D15/89
D849,804 S *	5/2019	Seo	.....	D15/89
D862,530 S *	10/2019	Seo	.....	D15/89
D881,954 S *	4/2020	Kim	.....	D15/89
D883,348 S *	5/2020	Burke	.....	D15/89
D886,166 S *	6/2020	Kim	.....	D15/89
D921,066 S *	6/2021	Lee	.....	D15/89

FOREIGN PATENT DOCUMENTS

KR	30-2005-0036756	6/2006
KR	30-2006-0039278	12/2007
KR	30-2010-0005292	11/2011
KR	30-2011-0028188	9/2012
KR	30-2011-0037021	11/2012

\* cited by examiner

*Primary Examiner* — Khawaja Anwar

(74) *Attorney, Agent, or Firm* — NSIP Law

(57) **CLAIM**

We claim the ornamental design for a refrigerator, as shown and described.

**DESCRIPTION**

FIG. 1 is a front perspective view of a refrigerator showing our new design;  
 FIG. 2 is a front view thereof;  
 FIG. 3 is a rear view thereof;  
 FIG. 4 is a left-side view thereof;  
 FIG. 5 is a right-side view thereof;  
 FIG. 6 is a top view thereof;  
 FIG. 7 is a bottom view thereof;  
 FIG. 8 is another front perspective view thereof; and,  
 FIG. 9 is a bottom perspective view thereof.  
 The broken lines in the figures depict portions of the refrigerator which form no part of the claimed design.

**1 Claim, 9 Drawing Sheets**

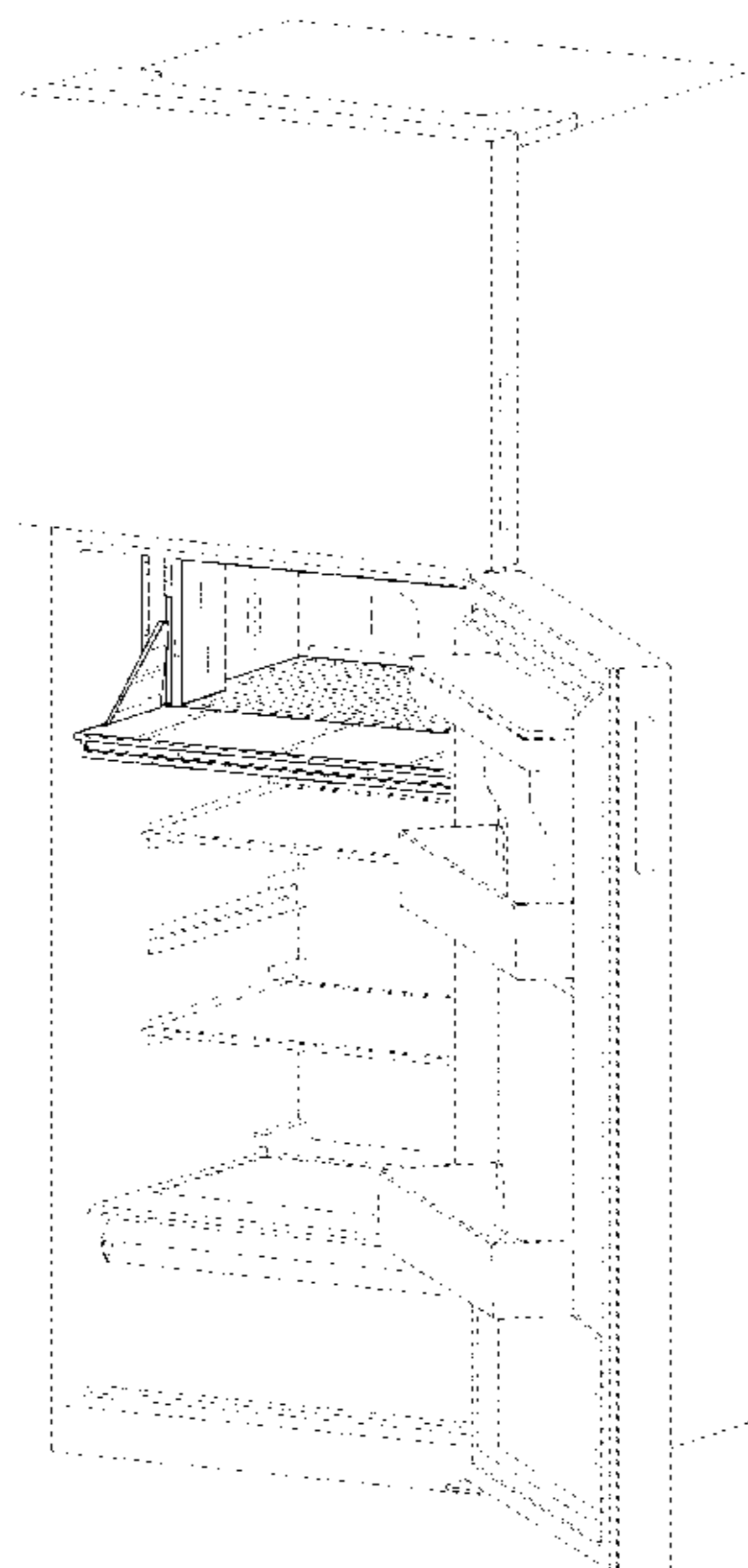


FIG. 1

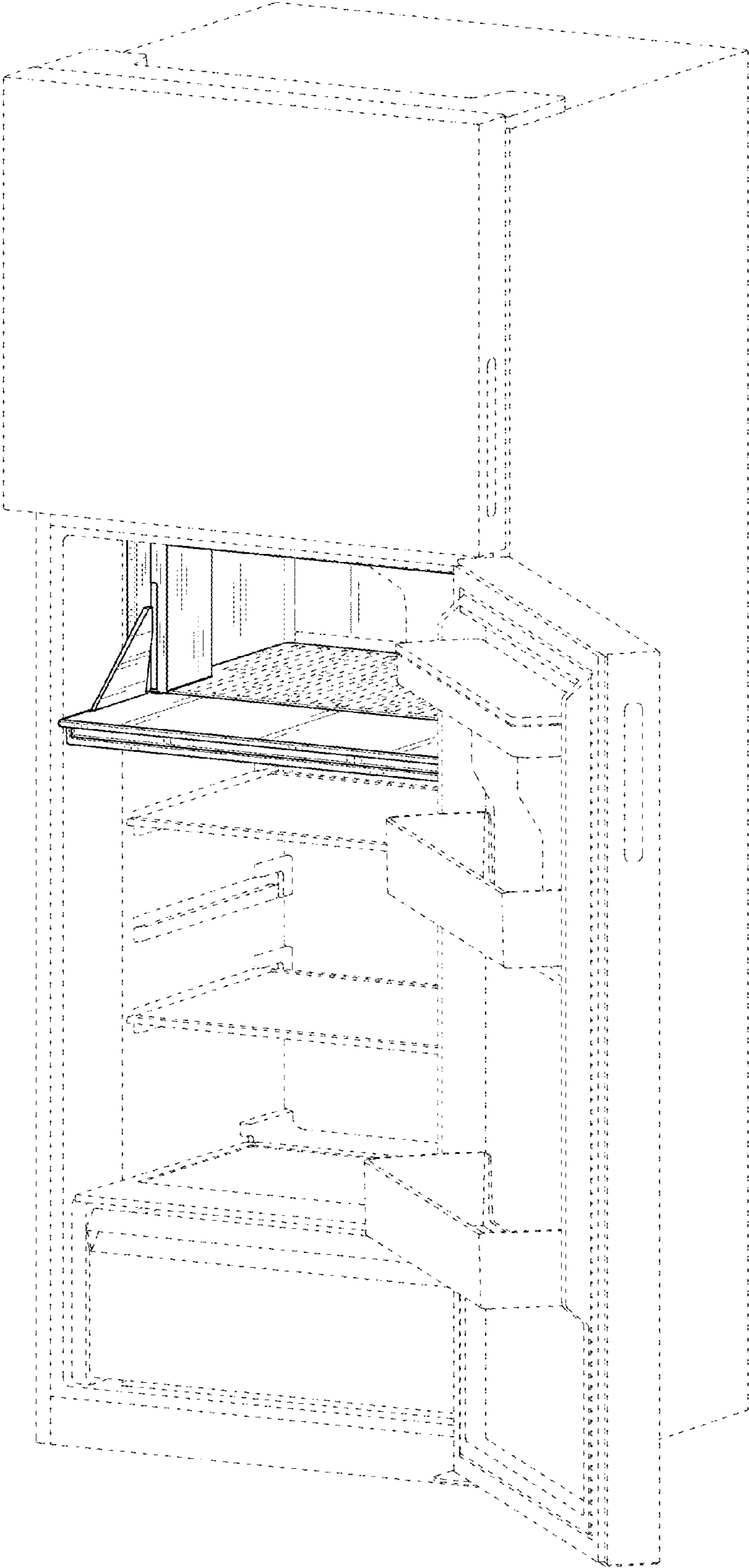


FIG. 2

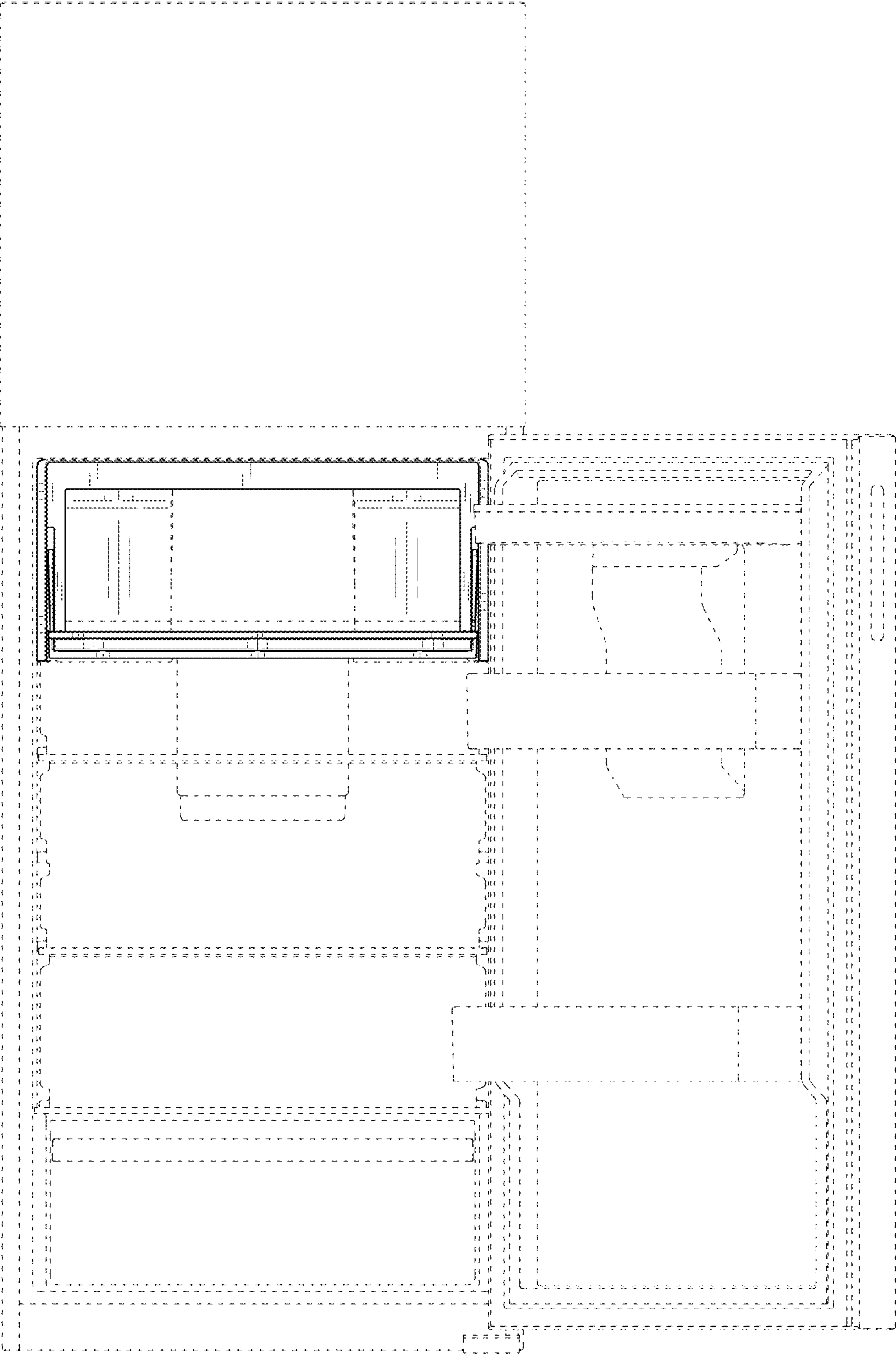


FIG. 3

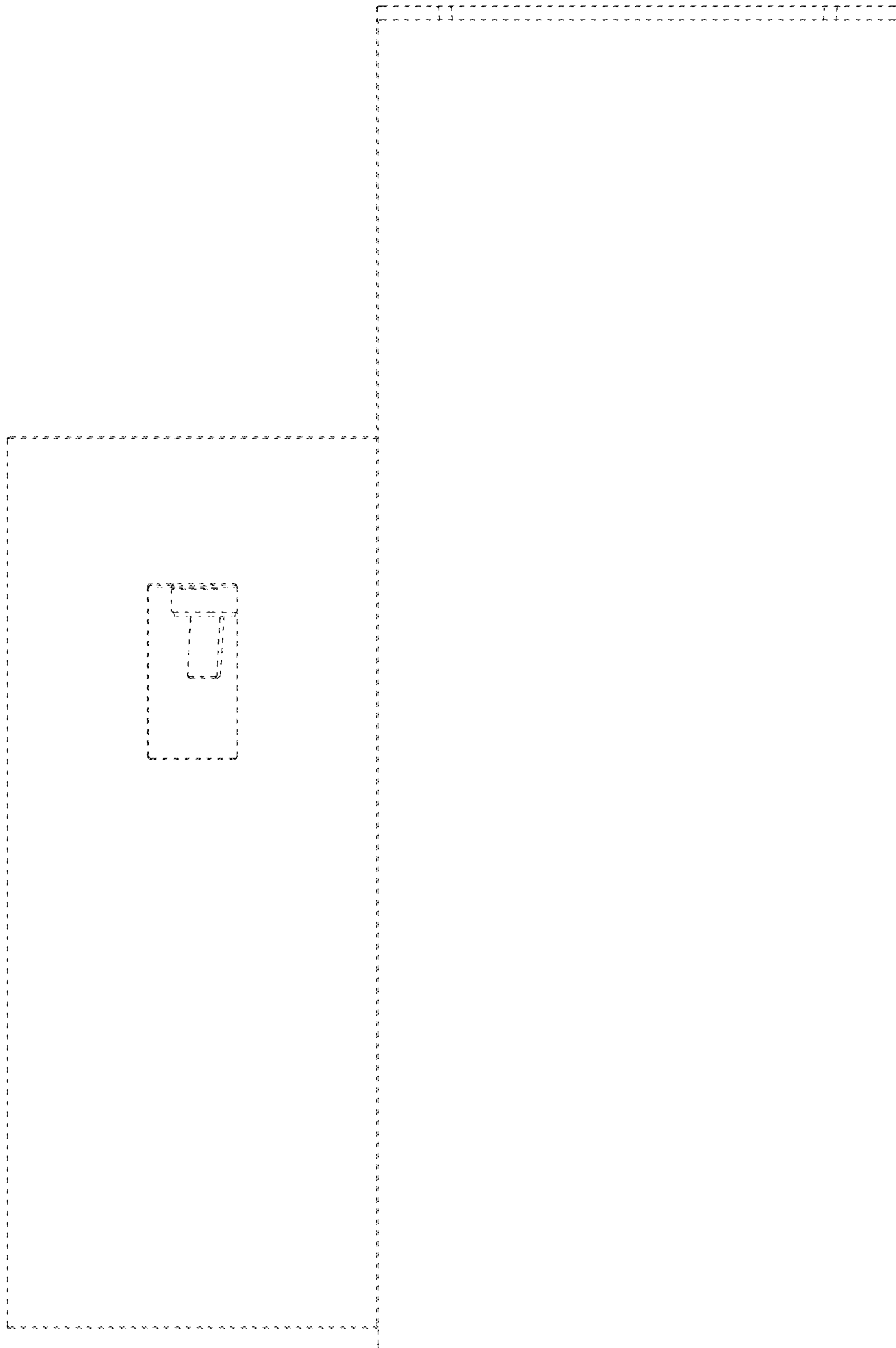


FIG. 4

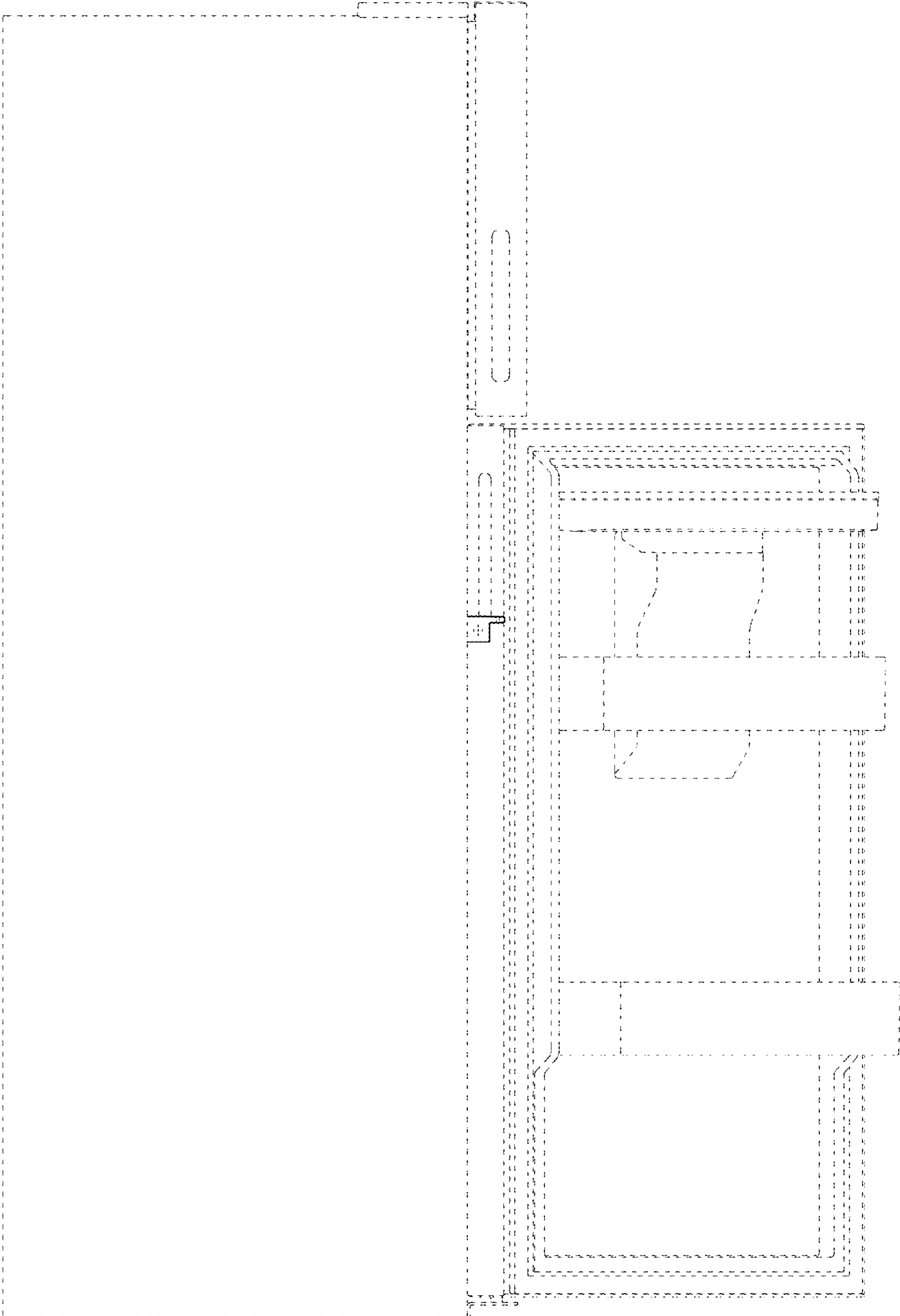


FIG. 5

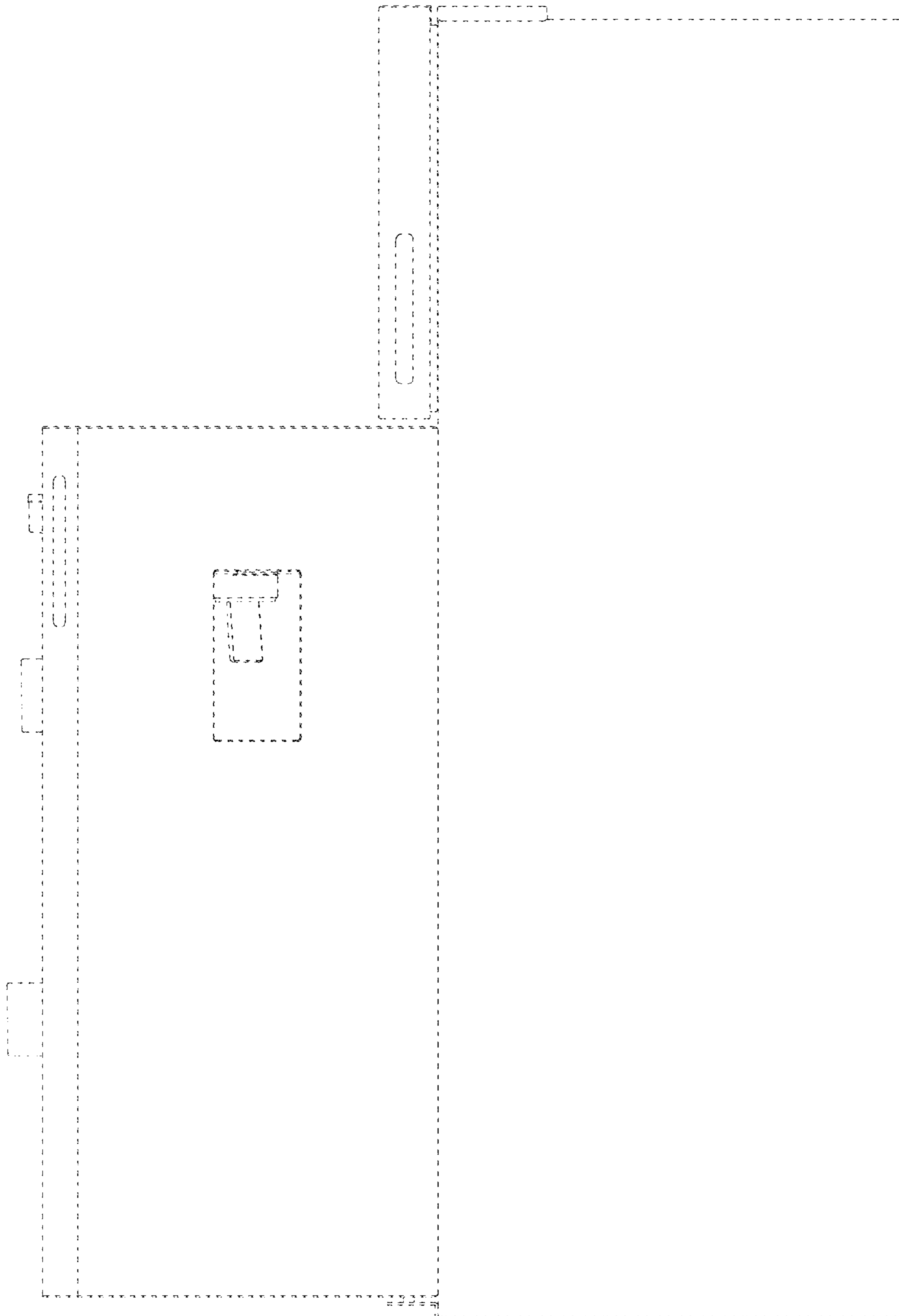


FIG. 6

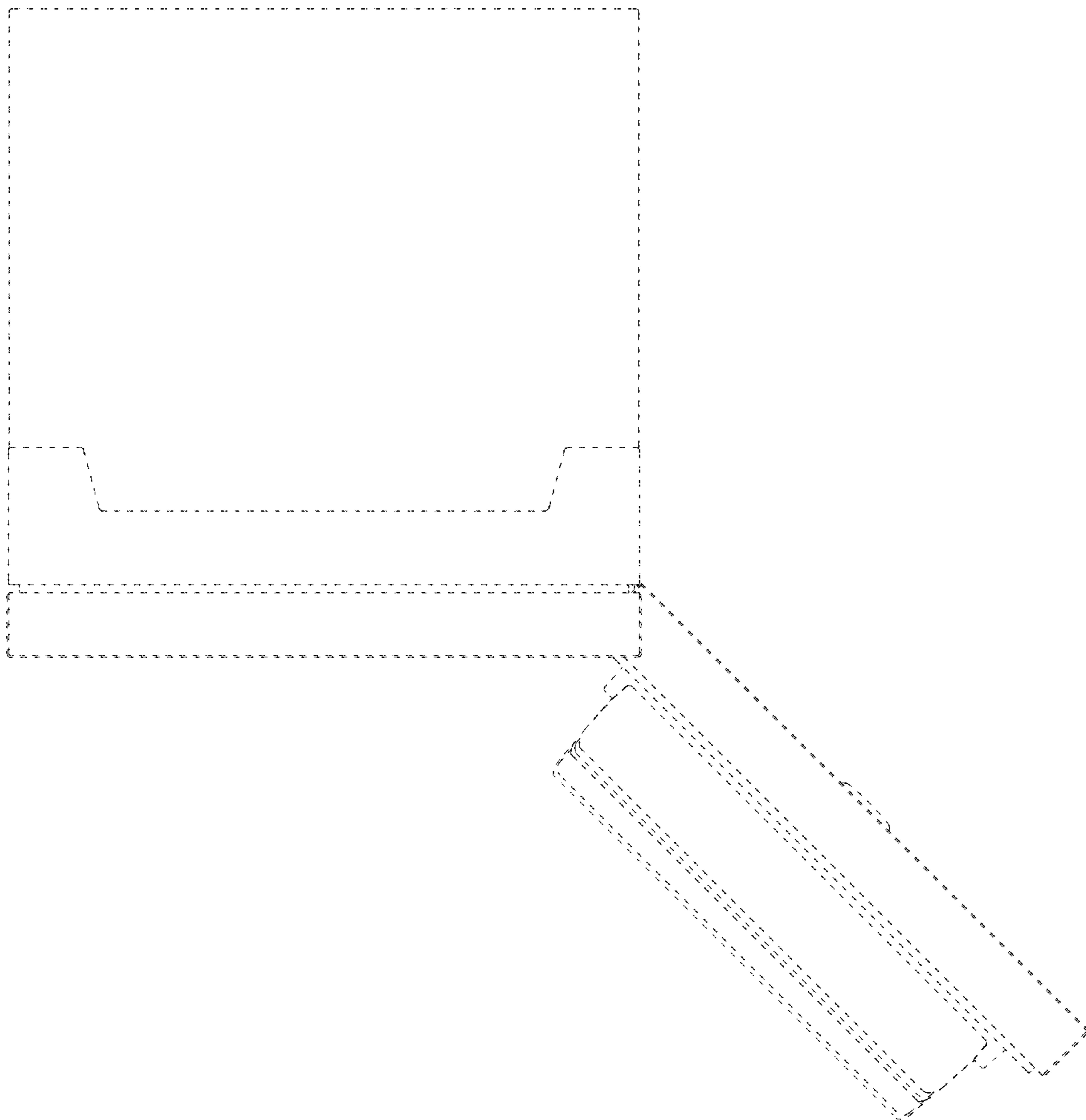




FIG. 7

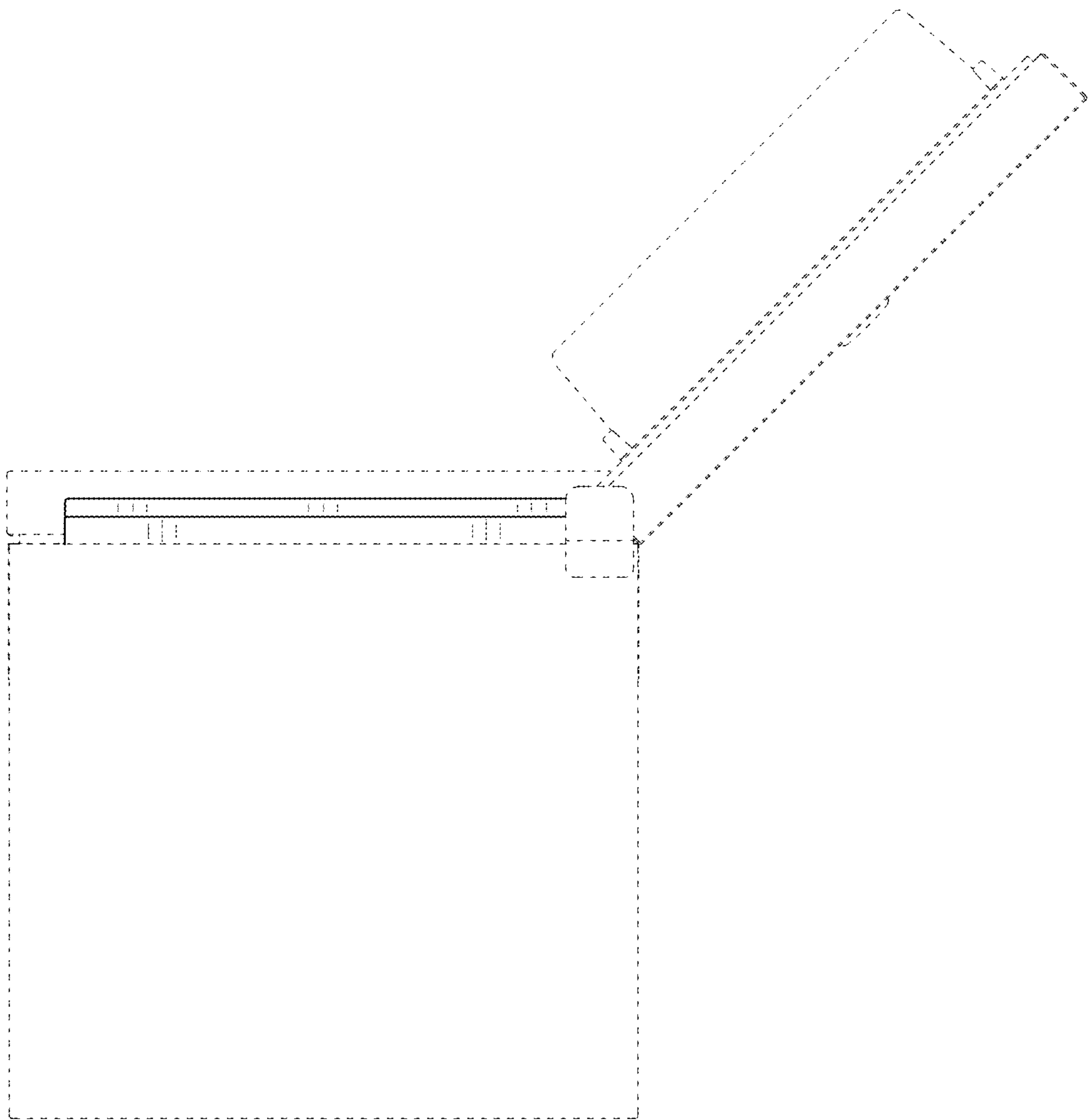




FIG. 8

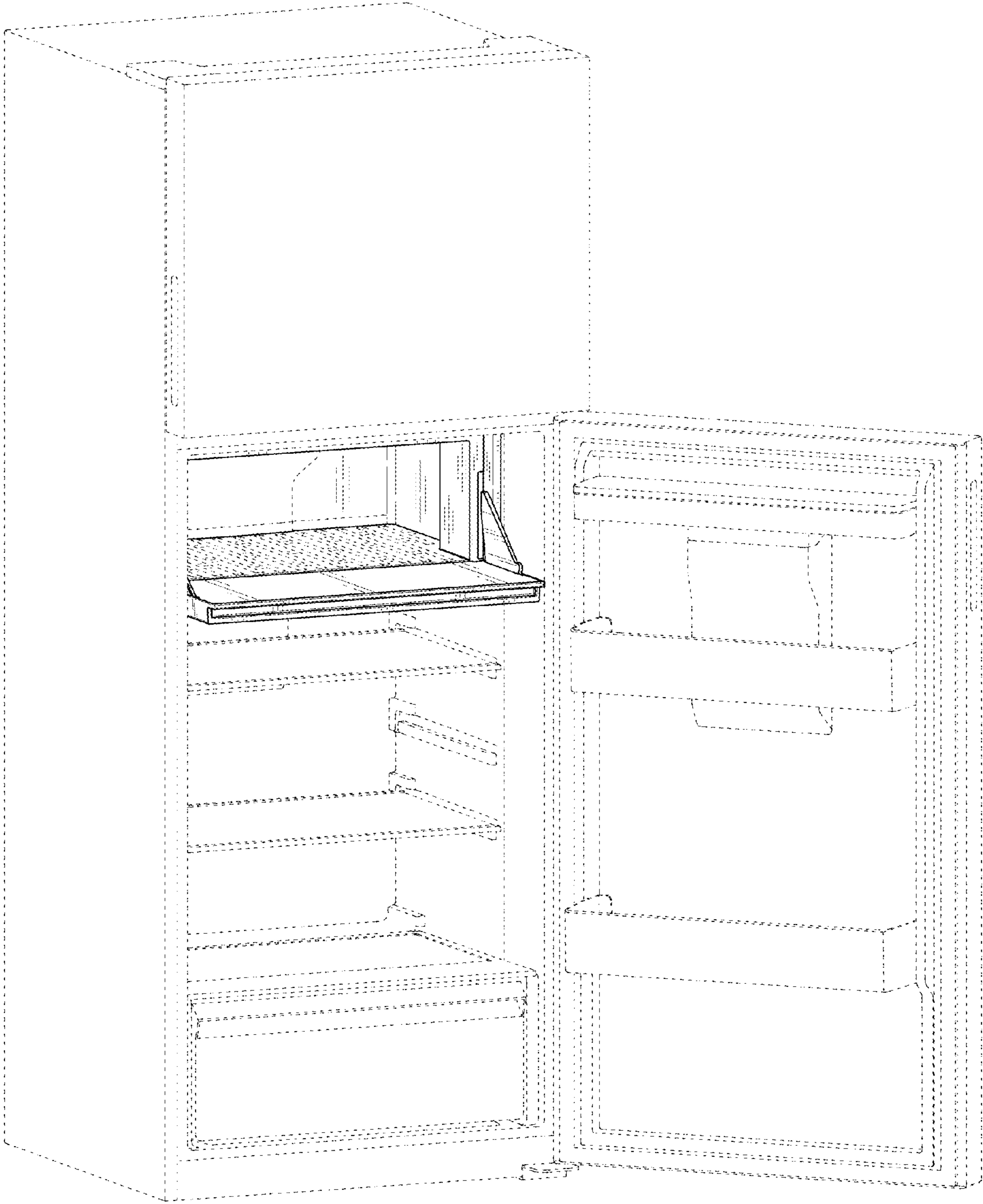


FIG. 9

