



US00D983845S

(12) **United States Design Patent**
Song et al.

(10) **Patent No.:** **US D983,845 S**
(45) **Date of Patent:** **** Apr. 18, 2023**

- (54) **TOOTH FOR EXCAVATOR BUCKET**
- (71) Applicant: **SUNGBO INDUSTRIAL CO., LTD.**,
Incheon (KR)
- (72) Inventors: **Keun Chul Song**, Seoul (KR); **Dae Hyun Ryu**, Incheon (KR); **Hyun Soo Lee**, Incheon (KR)
- (73) Assignee: **SUNGBO INDUSTRIAL CO., LTD.**,
Incheon (KR)
- (**) Term: **15 Years**
- (21) Appl. No.: **29/853,247**
- (22) Filed: **Sep. 14, 2022**

5,937,550 A * 8/1999 Emrich E02F 9/2841
37/456
D435,567 S * 12/2000 Clendenning D15/29
D436,116 S * 1/2001 Clendenning D15/29
D446,224 S * 8/2001 Clendenning D15/29

(Continued)

Primary Examiner — Mark A Goodwin
(74) *Attorney, Agent, or Firm* — Novick, Kim & Lee
PLLC; Jae Youn Kim

(30) **Foreign Application Priority Data**

Apr. 15, 2022 (KR) 30-2022-0015047

(51) **LOC (14) Cl.** **15-03**

(52) **U.S. Cl.**
USPC **D15/29**; D15/28

(58) **Field of Classification Search**
USPC D15/11, 28, 29; 37/456, 452, 450, 446,
37/454, 449, 453, 455, 903; 403/379.5,
403/DIG. 1; 111/152; 172/724, 730,
172/766, 770, 771, 721, 713, 699, 772
CPC Y10T 29/49826; Y10T 403/589; Y10T
403/7018; Y10T 403/7075; E02F 9/28;
E02F 9/2825; E02F 9/2833; E02F 9/2866;
E02F 9/2858; E02F 9/2808; E02F 9/2841
See application file for complete search history.

(56) **References Cited**

U.S. PATENT DOCUMENTS

- 3,774,324 A * 11/1973 Lafond E02F 9/2841
37/457
- 4,231,173 A * 11/1980 Davis E02F 9/2833
37/457
- D410,657 S * 6/1999 Launder D15/29

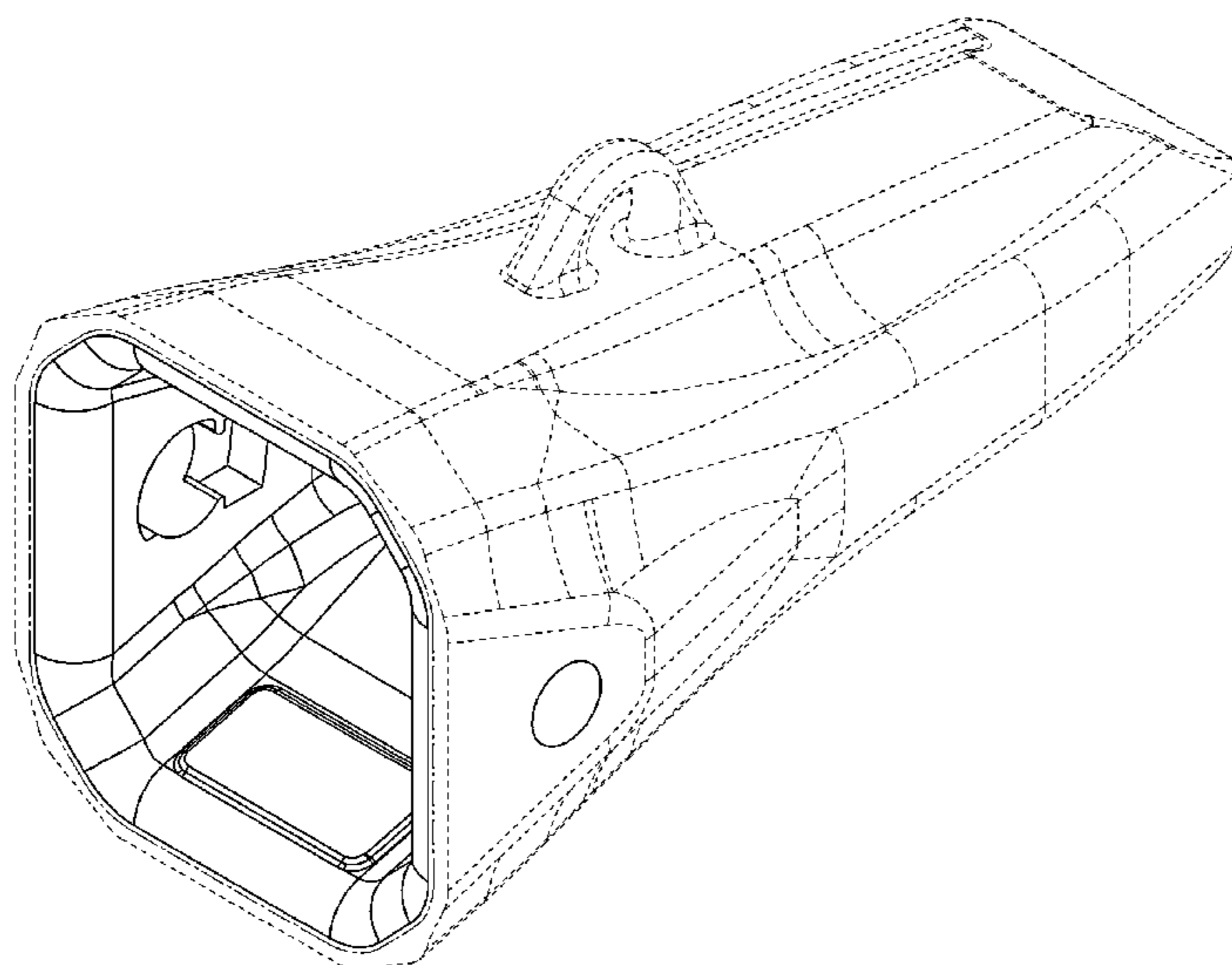
(57) **CLAIM**

We claim the ornamental design for a tooth for excavator bucket, as shown and described.

DESCRIPTION

FIG. 1 is a perspective view of a tooth for excavator bucket, showing our new design;
FIG. 2 is a front elevation view thereof;
FIG. 3 is a rear elevation view thereof;
FIG. 4 is a left side elevation view thereof;
FIG. 5 is a right side elevation view thereof;
FIG. 6 is a top plan view thereof;
FIG. 7 is a bottom plan view thereof;
FIG. 8 is a cross-sectional view thereof taken along line 8-8 of FIG. 2;
FIG. 9 is a cross-sectional view thereof taken along line 9-9 of FIG. 2;
FIG. 10 is a cross-sectional view thereof taken along line 10-10 of FIG. 2;
FIG. 11 is a cross-sectional view thereof taken along line 11-11 of FIG. 2; and,
FIG. 12 is a reference view thereof showing an example configuration of use in which the tooth for excavator bucket may be combined with a tooth adapter of an excavator bucket with a wear cap.
The dash-dash broken lines in the drawings show portions of the tooth for excavator bucket that form no part of the claimed design. The dot-dash broken lines in the drawings depict boundaries of the claim and form no part thereof.

1 Claim, 10 Drawing Sheets



(56)

References Cited

U.S. PATENT DOCUMENTS

D447,154	S *	8/2001	Clendenning	D15/29
D614,206	S *	4/2010	Ruvang	D15/29
D624,943	S *	10/2010	Gibbon	D15/29
D707,264	S *	6/2014	Renski	D15/28
D727,367	S *	4/2015	Renski	D15/28
D784,424	S *	4/2017	Renski	D15/28
D806,758	S *	1/2018	Serrurier	D15/28
D807,926	S *	1/2018	Kunz	D15/28
9,976,287	B2 *	5/2018	Kunz	E02F 9/2841
D832,310	S *	10/2018	Balan	D15/28
D840,441	S *	2/2019	Serrurier	D15/28
D857,761	S *	8/2019	Balan	D15/28
D924,943	S *	7/2021	Wells	D15/28
D925,614	S *	7/2021	McCaffrey	D15/28
D925,615	S *	7/2021	McCaffrey	D15/28
D941,366	S *	1/2022	Wells	D15/28
D945,498	S *	3/2022	Sinn	D15/28
D957,472	S *	7/2022	McCaffrey	D15/28
2014/0352182	A1 *	12/2014	LaHood	E02F 9/2833 37/455
2017/0328038	A1 *	11/2017	Campomanes	E02F 9/2883
2018/0080200	A1 *	3/2018	Hughes	E02F 9/2891

* cited by examiner

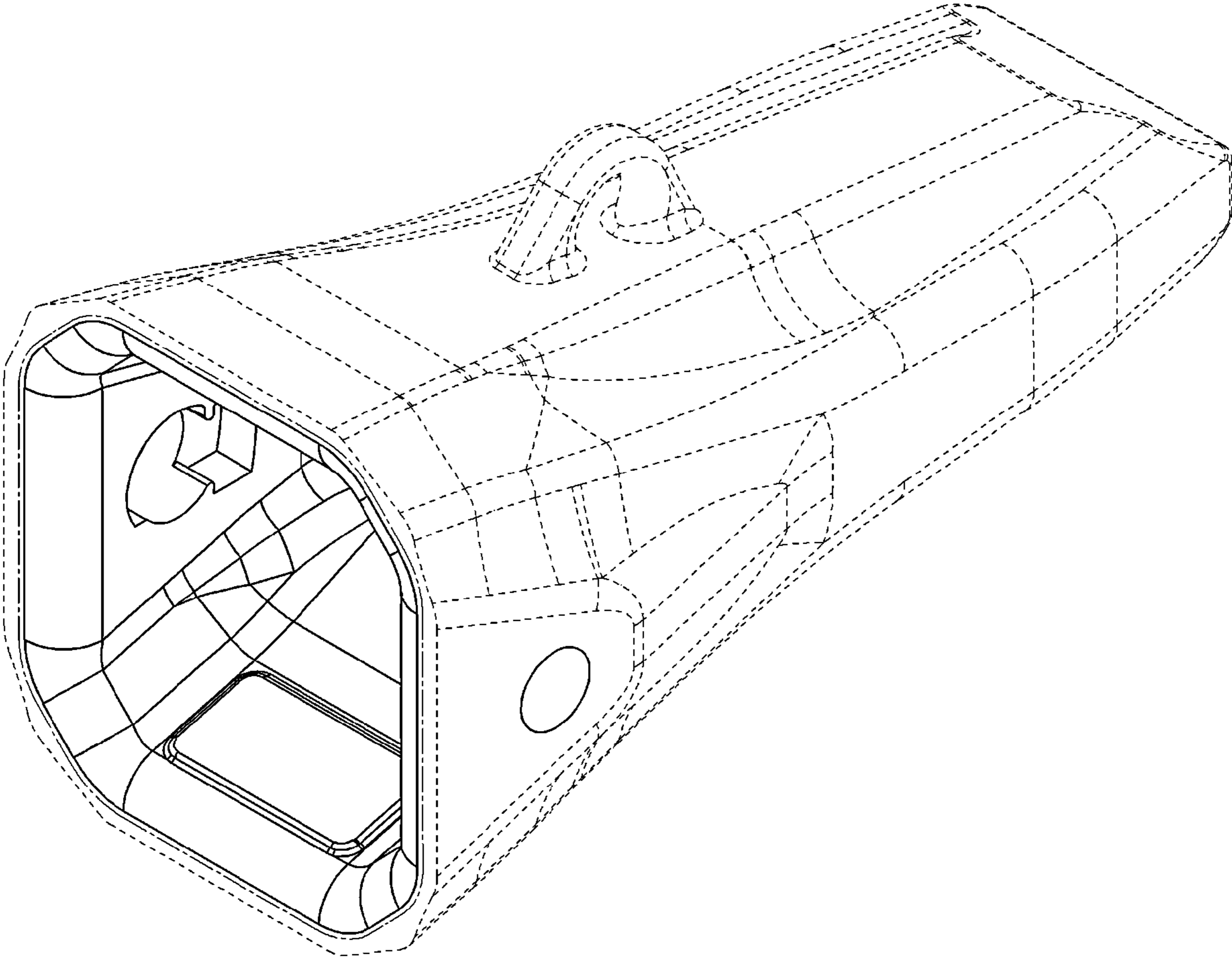


FIG. 1

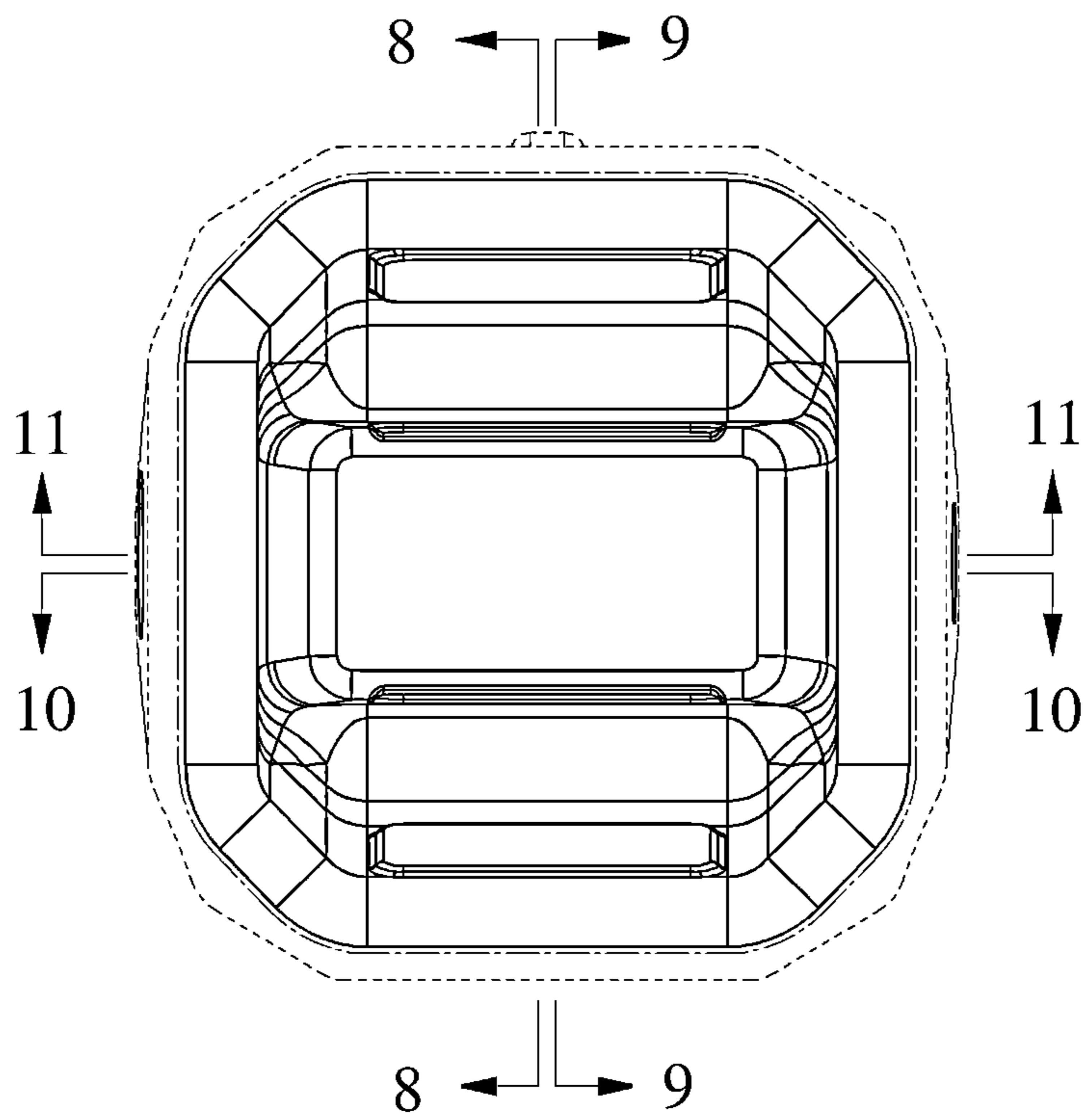


FIG. 2

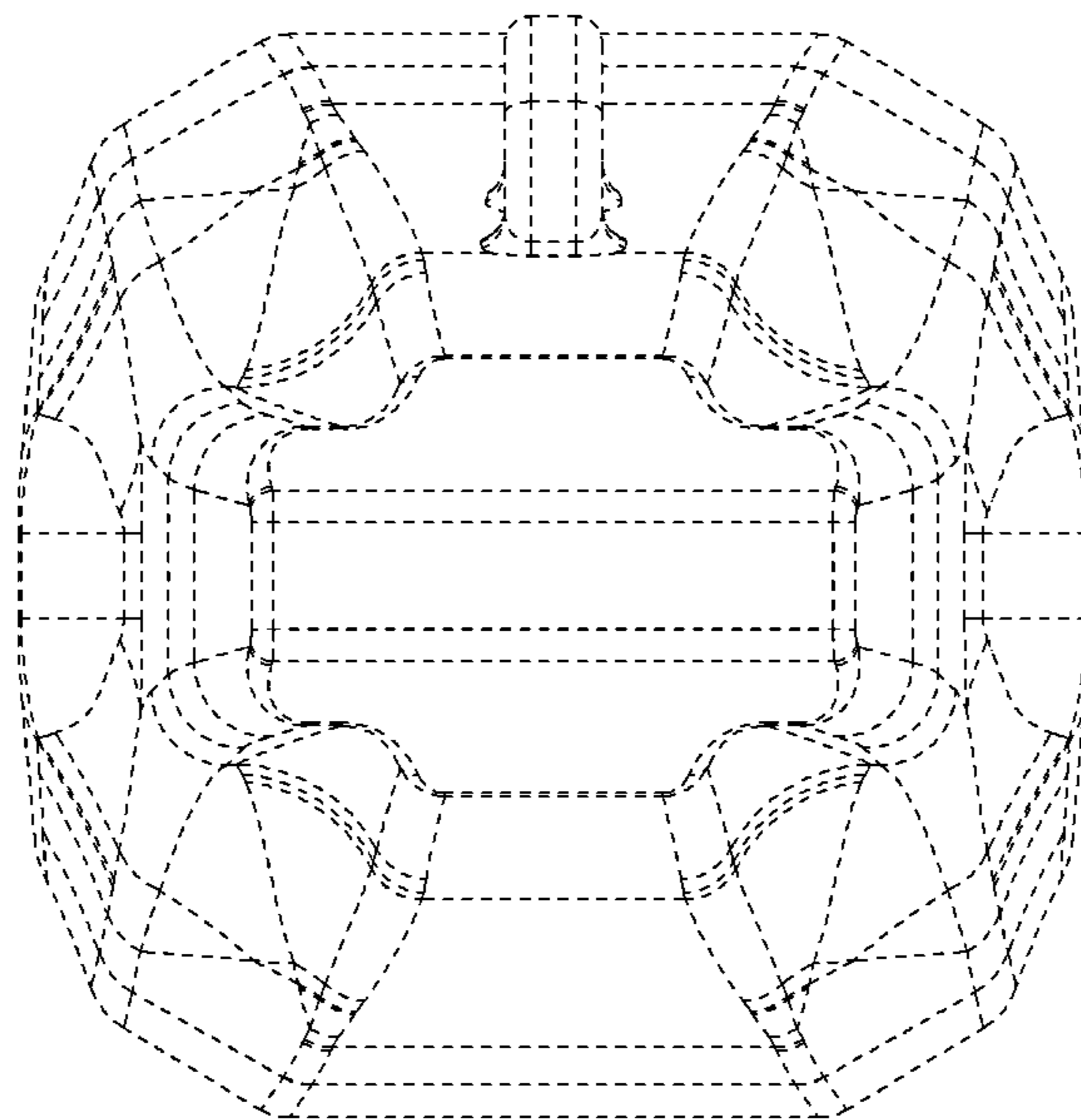


FIG. 3

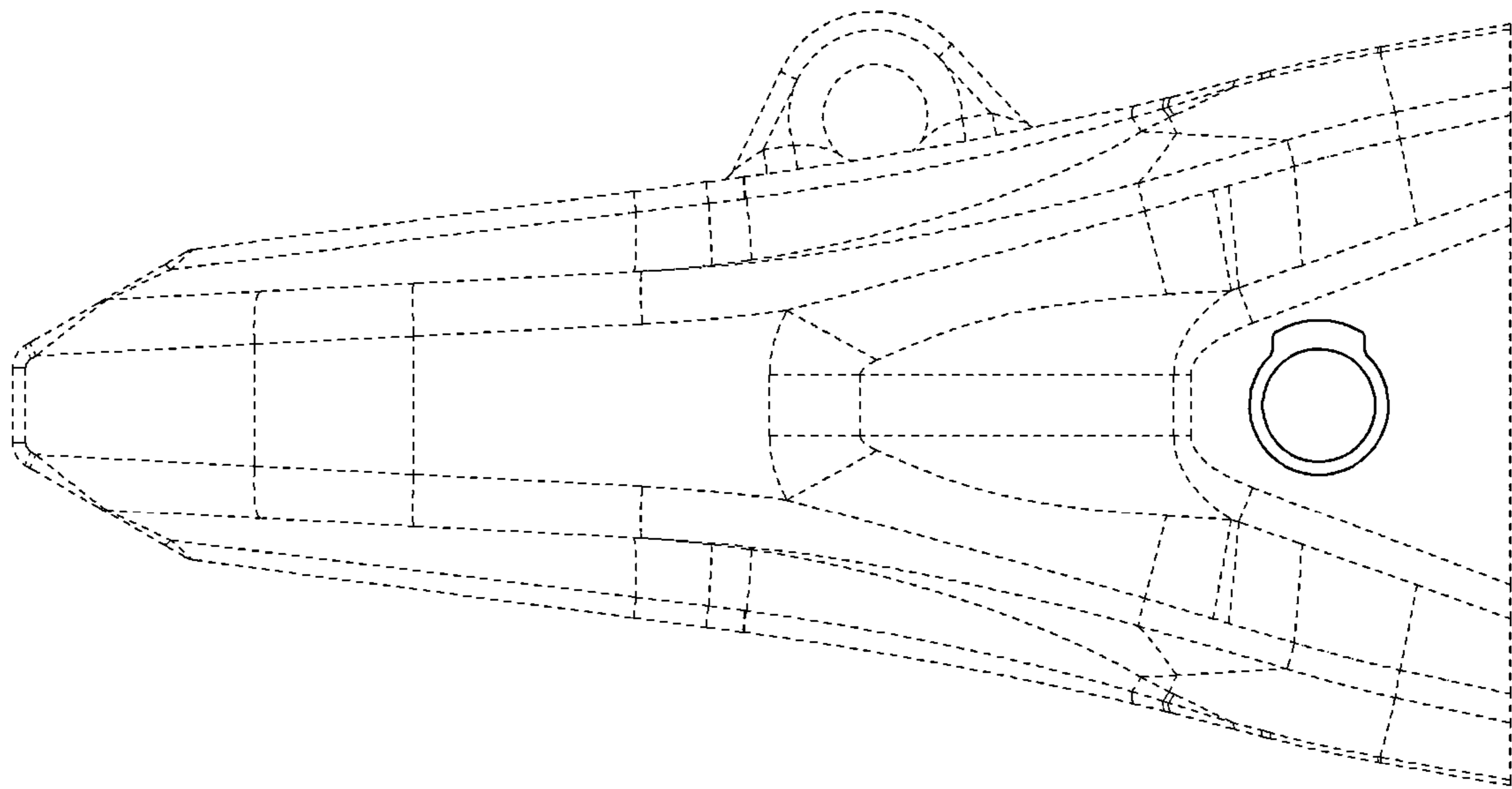


FIG. 4

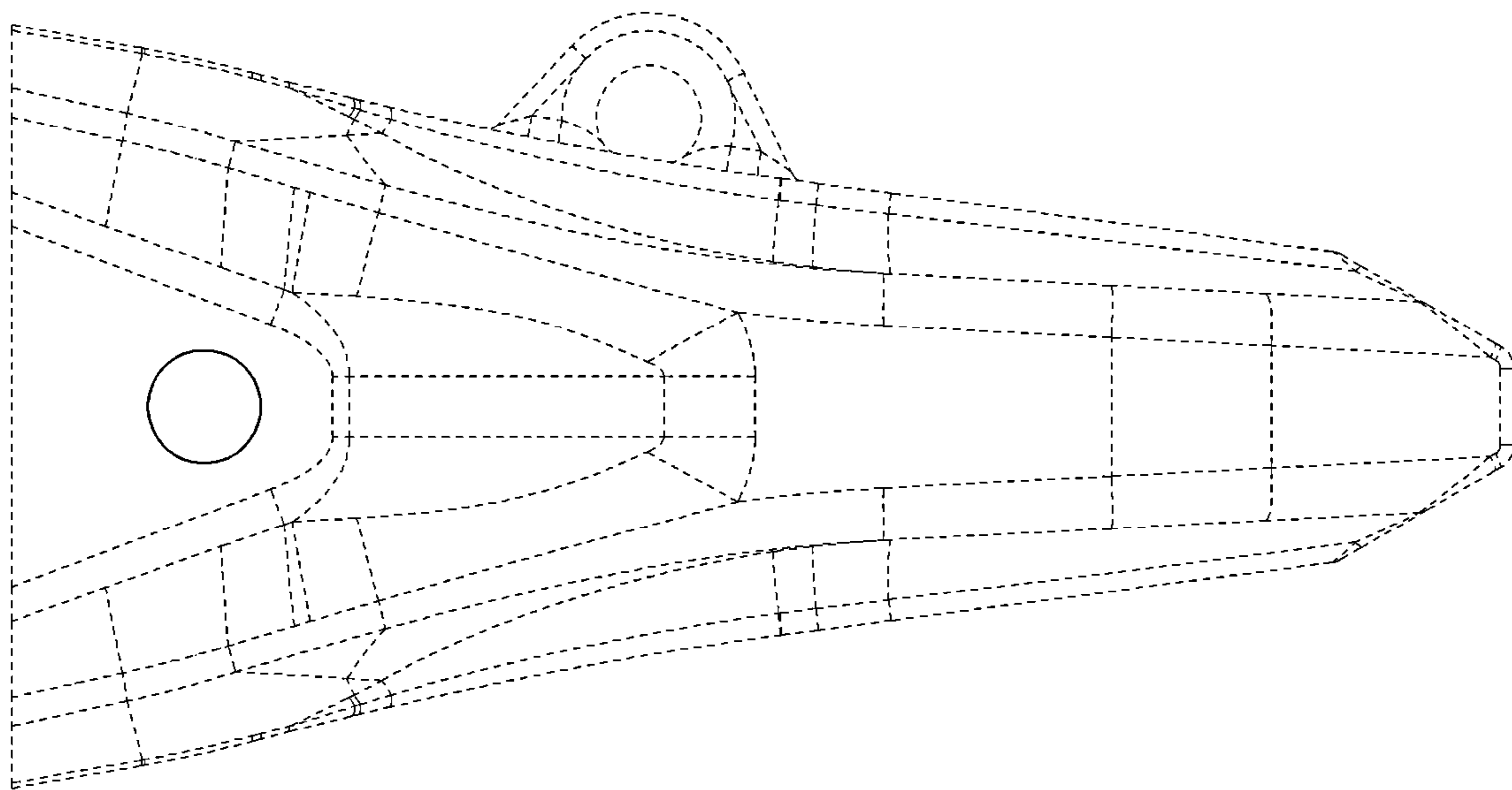


FIG. 5

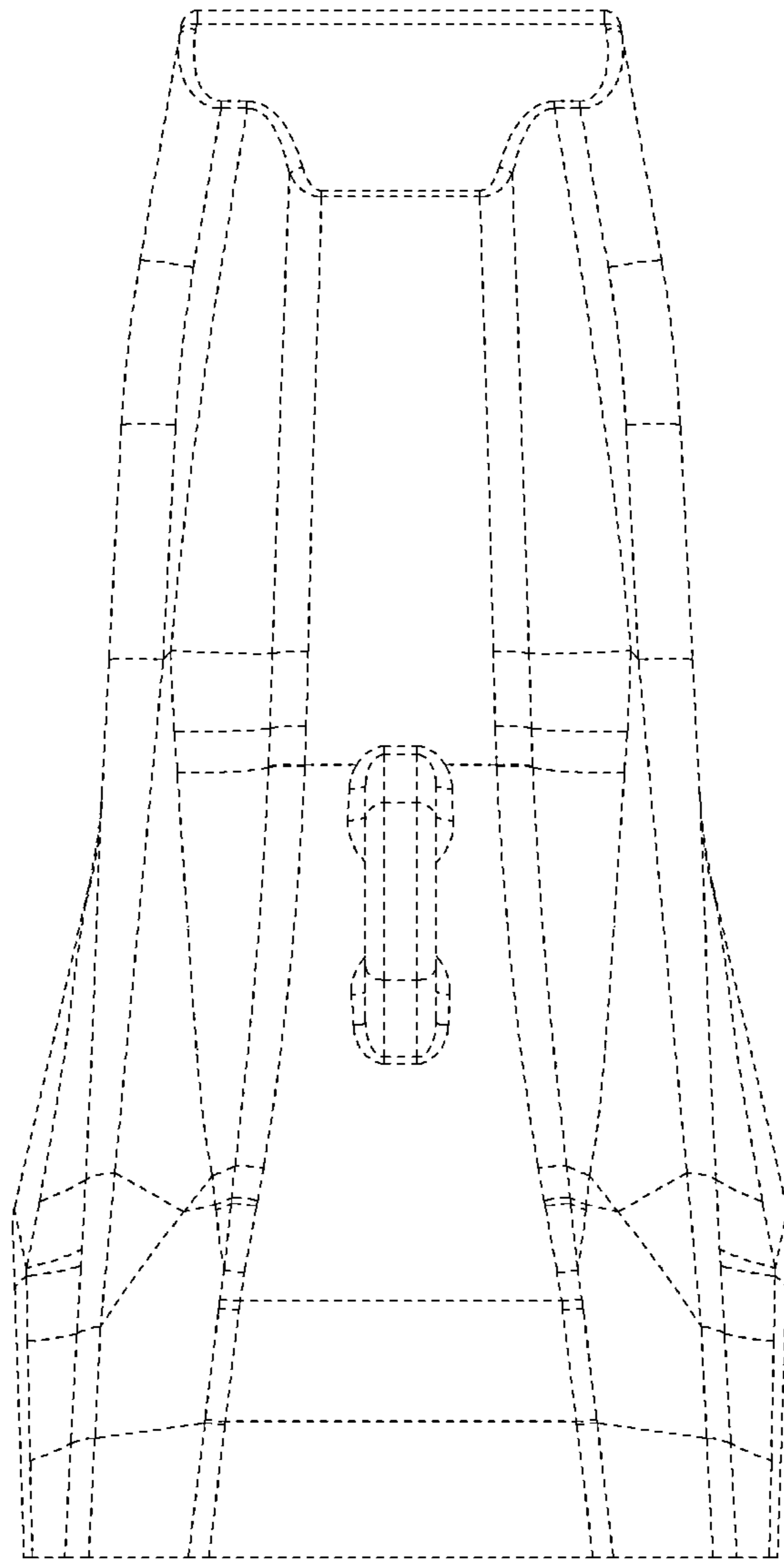


FIG. 6

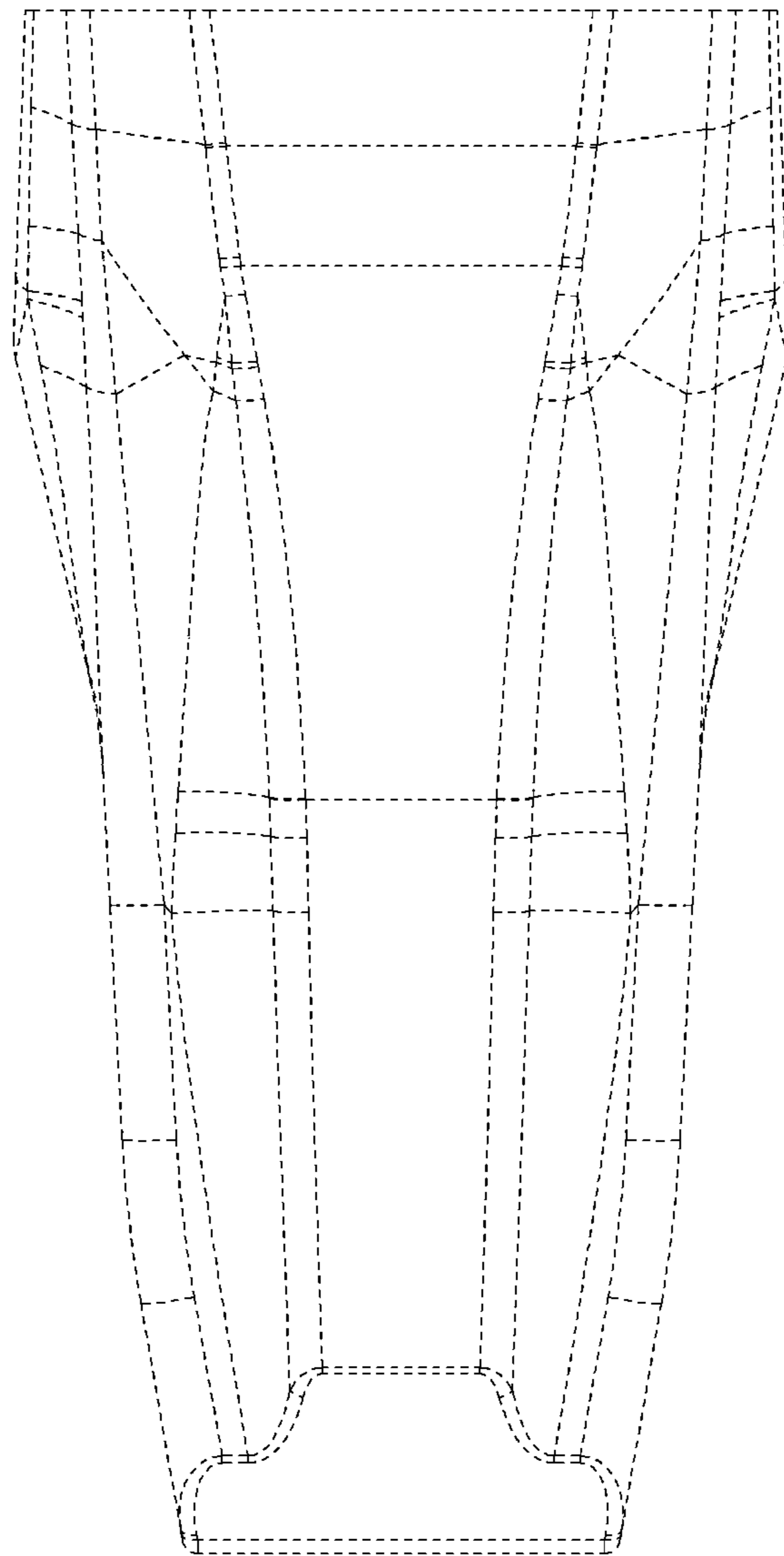


FIG. 7

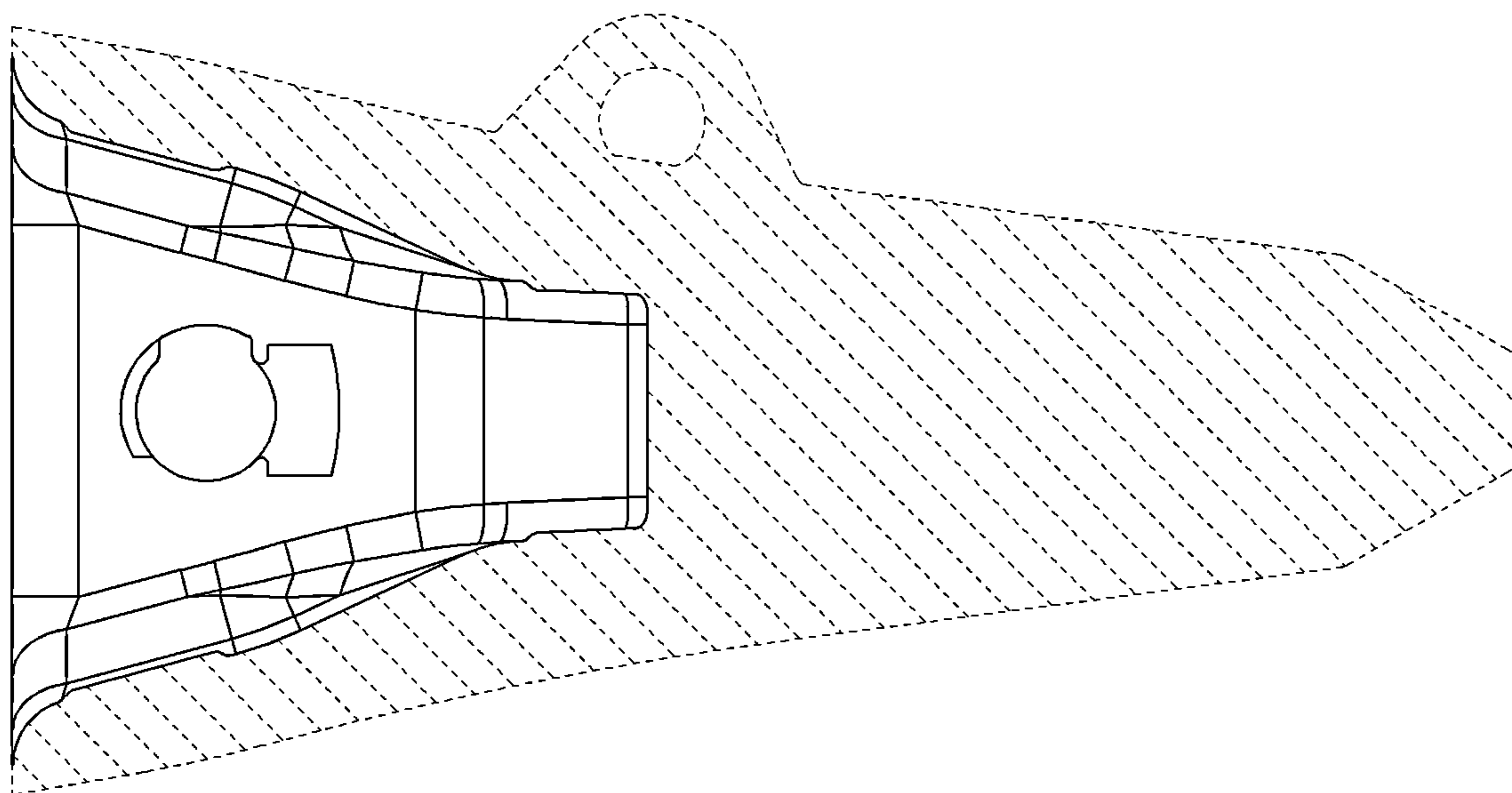


FIG. 8

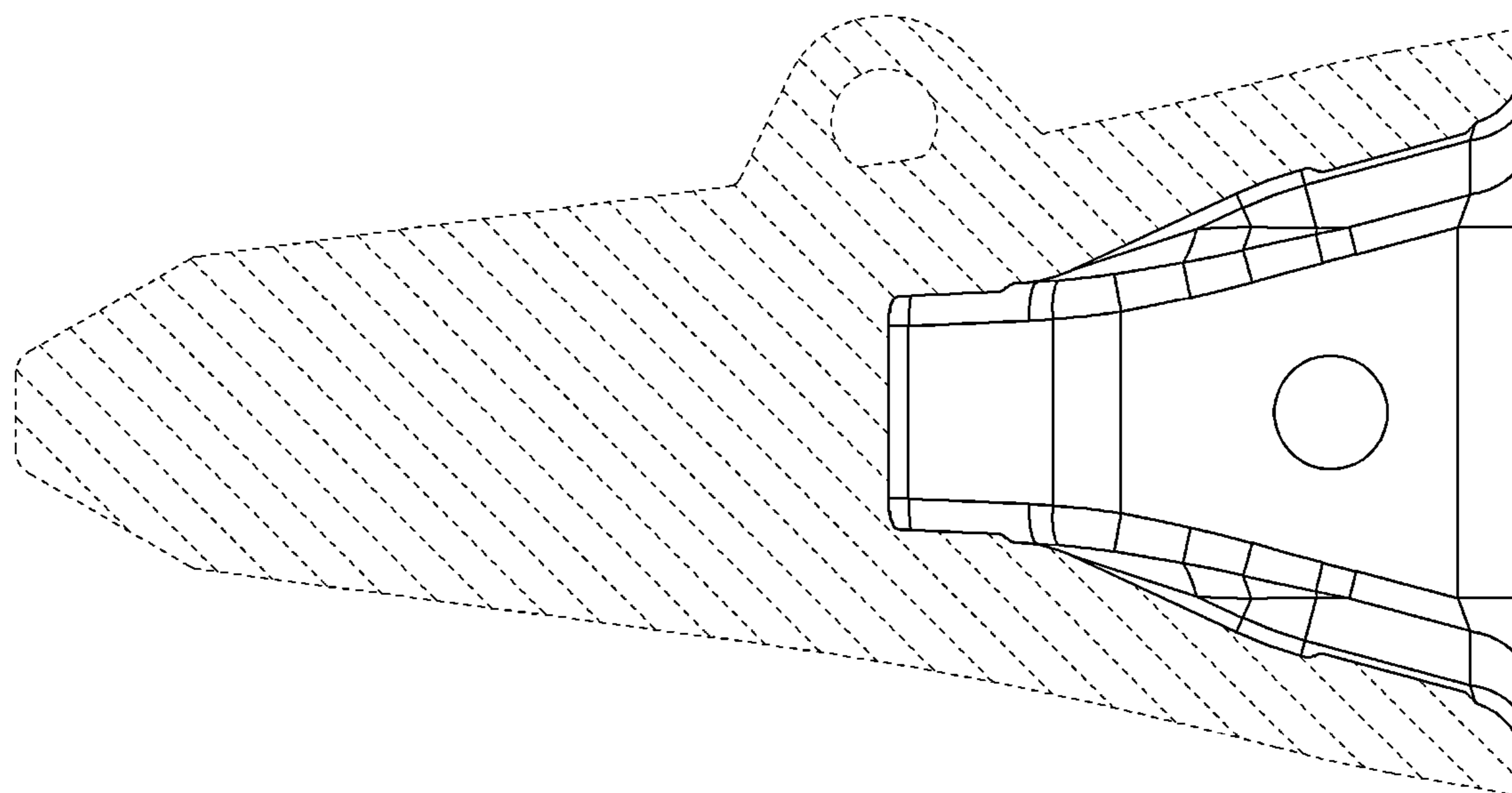


FIG. 9

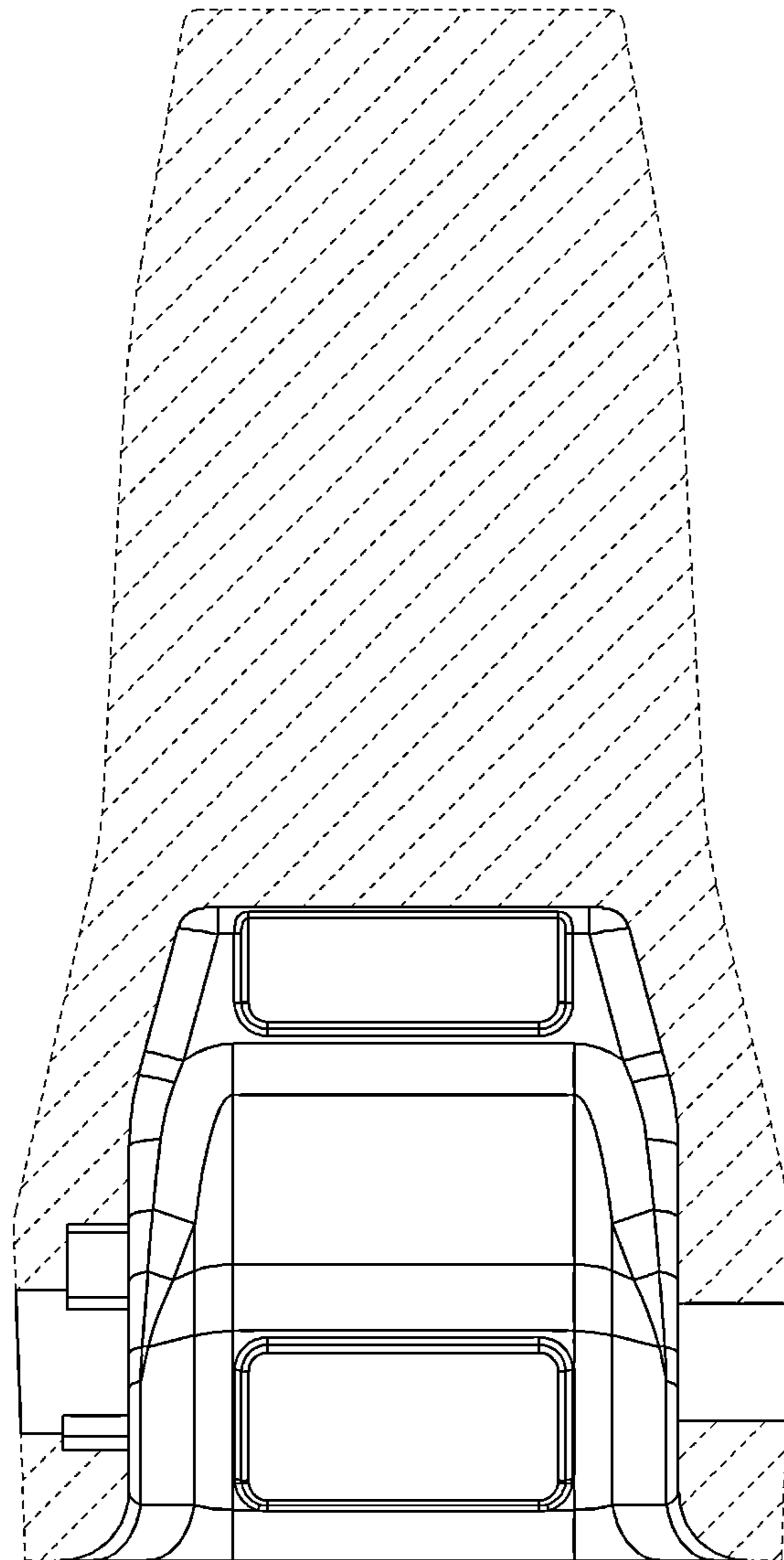


FIG. 10

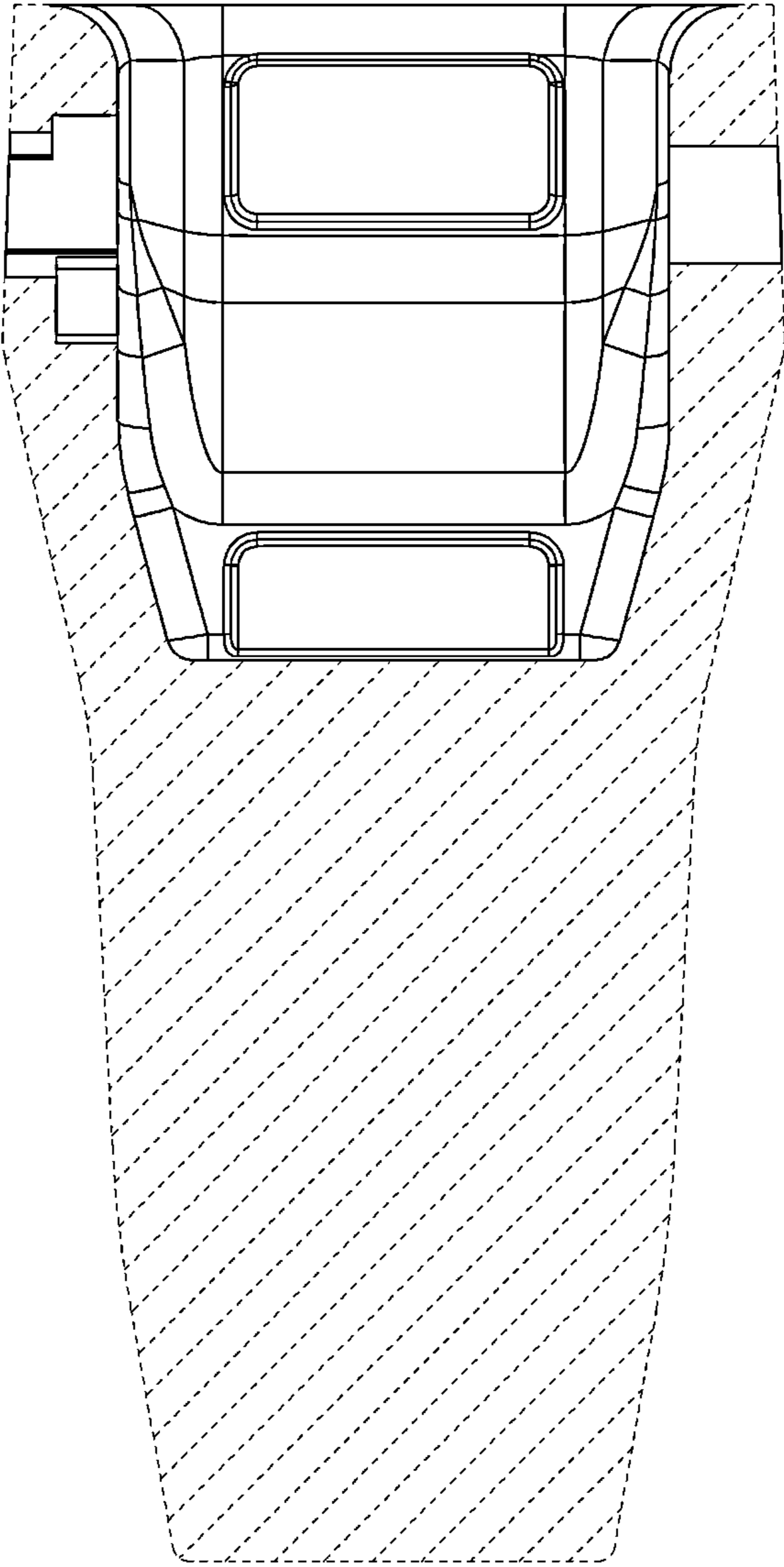


FIG. 11

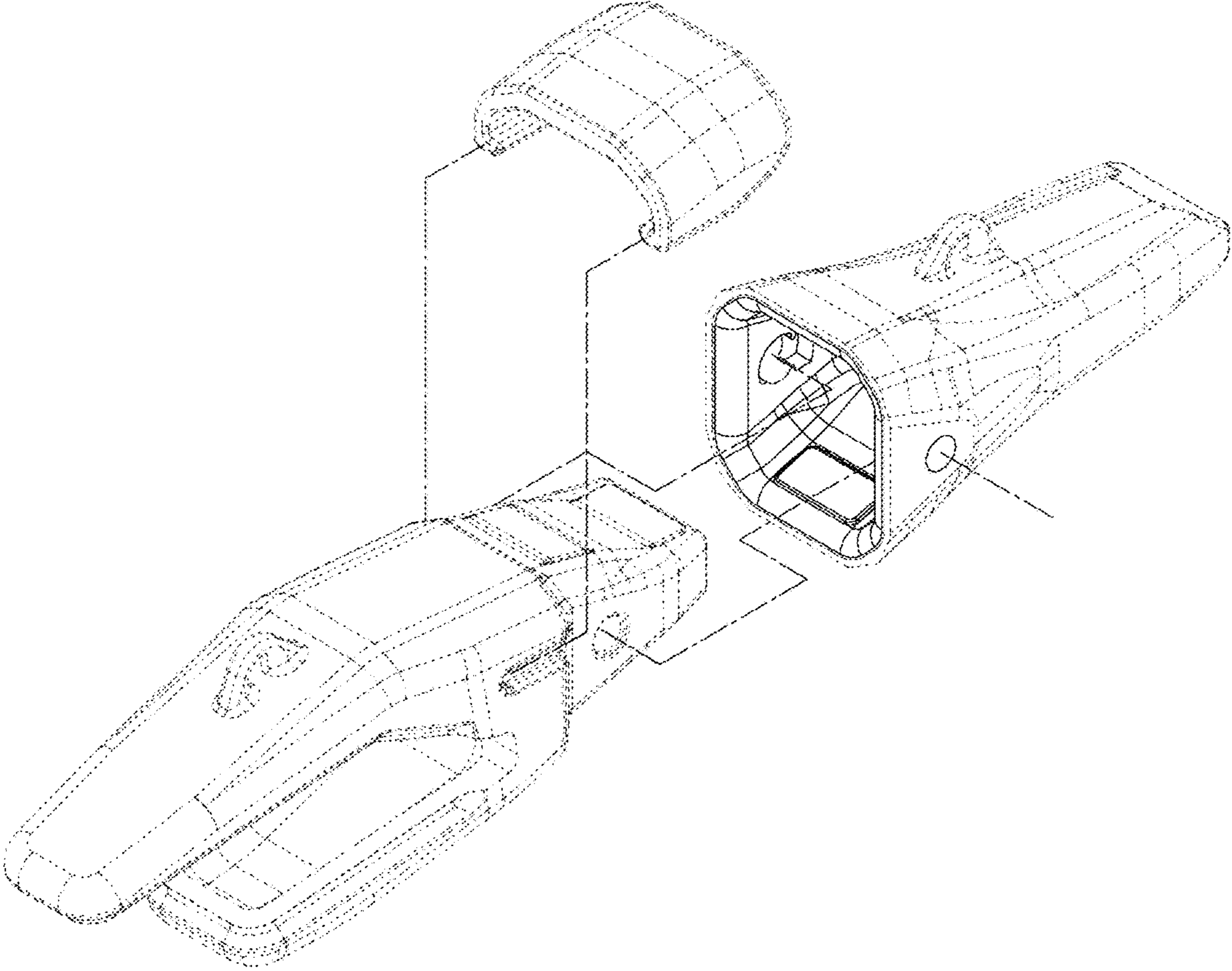


FIG. 12