



US00D983844S

(12) **United States Design Patent**
Penmetsa et al.

(10) **Patent No.:** **US D983,844 S**
(45) **Date of Patent:** **** Apr. 18, 2023**

(54) **ILLUMINATED TRACTOR**

(71) Applicant: **Zimeno, Inc.**, Livermore, CA (US)

(72) Inventors: **Praveen V. Penmetsa**, Newark, CA (US); **Zachary M. Omohundro**, Carson, CA (US); **Cole Connelly Jacob Mishler**, San Francisco, CA (US)

(73) Assignee: **Zimeno, Inc.**, Livermore, CA (US)

(**) Term: **15 Years**

(21) Appl. No.: **29/856,614**

(22) Filed: **Oct. 14, 2022**

Related U.S. Application Data

(63) Continuation of application No. 29/798,016, filed on Jul. 5, 2021, now Pat. No. Des. 971,274.

(51) **LOC (14) Cl.** **15-03**

(52) **U.S. Cl.**
USPC **D15/28**

(58) **Field of Classification Search**
USPC D15/10, 23-26, 28, 29, 31, 32;
D26/28-36, 120, 122, 139

(Continued)

(56) **References Cited**

U.S. PATENT DOCUMENTS

D447,153 S 8/2001 Hornung
8,115,334 B2 2/2012 Vyas et al.
(Continued)

FOREIGN PATENT DOCUMENTS

WO WO2012154990 11/2012
WO WO2014033467 3/2014

OTHER PUBLICATIONS

International Search Report for PCT/US15/21339 dated Aug. 20, 2015.

Primary Examiner — Mark A Goodwin

(74) *Attorney, Agent, or Firm* — Rathe Lindenbaum LLP

(57) **CLAIM**

We claim the ornamental design for an illuminated tractor, as shown and described.

DESCRIPTION

This continuation application is related to U.S. patent application Ser. No. 29/856,610 filed on the same day herewith by Penmetsa et al. and entitled Illuminated Tractor.

FIG. 1 is a left side front perspective view of an illuminated tractor;

FIG. 2 is a right side front perspective view thereof;

FIG. 3 is a right side rear perspective view thereof;

FIG. 4 is a left side rear perspective view thereof;

FIG. 5 is a front view thereof;

FIG. 6 is a rear view thereof;

FIG. 7 is a right side view thereof;

FIG. 8 is a left side view thereof;

FIG. 9 is a top view thereof;

FIG. 10 is a bottom view thereof;

FIG. 11 is a top sectional view thereof taken along line 11-11 of FIG. 5;

FIG. 12 is a sectional view thereof taken along line 12-12 of FIG. 7;

FIG. 13 is a left side front perspective view thereof with the illuminated tractor in an illuminated state;

FIG. 14 is a right side front perspective view thereof with the illuminated tractor in an illuminated state;

FIG. 15 is a right side rear perspective view thereof with the illuminated tractor in an illuminated state;

FIG. 16 is a left side rear perspective view thereof with the illuminated tractor in an illuminated state;

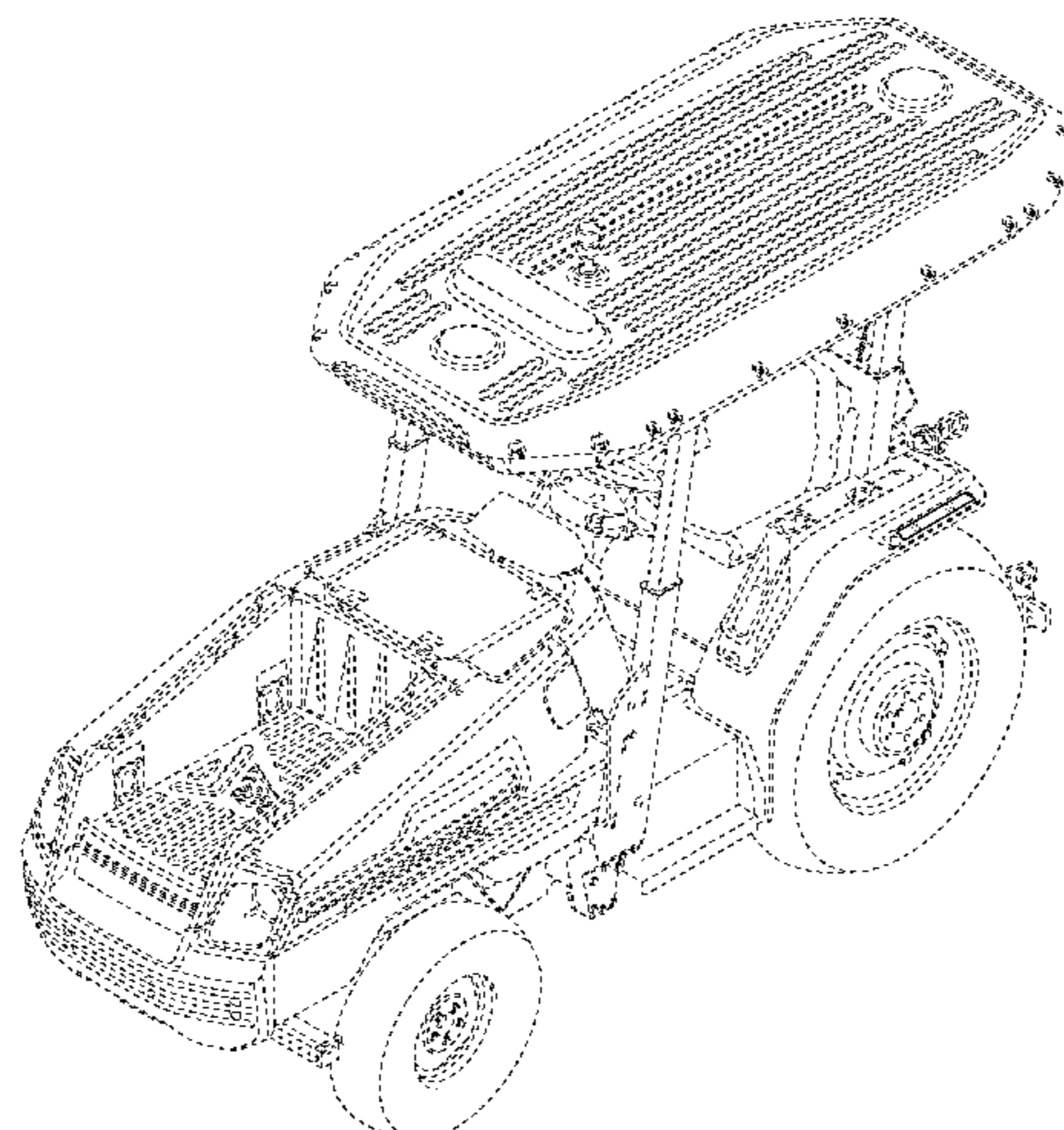
FIG. 17 is a right side view thereof with the illuminated tractor in an illuminated state;

FIG. 18 is a left side view thereof with the illuminated tractor in an illuminated state;

FIG. 19 is a top sectional view thereof taken along line 19-19 of FIG. 18 with the illuminated tractor in an illuminated state; and,

FIG. 20 is a sectional view thereof taken along line 20-20 of FIG. 17 with the illuminated tractor in an illuminated state.

(Continued)



The ornamental design which is claimed is shown in solid lines in the drawings. The dashed broken lines in the drawings illustrate environmental structure and form no part of the claimed design. The stippling in FIGS. 13-18 is shown to illustrate contrasting surfaces, a contrast between surfaces that are illuminated through the emission of light and surfaces not illuminated. The radiating broken lines shown in FIGS. 13-18 represent visible light being emitted by the illuminated surfaces (shown with stippling) in the illuminated state.

1 Claim, 20 Drawing Sheets

(58) **Field of Classification Search**

CPC .. B60K 11/08; B60K 11/04; F01P 5/06; F01P 11/10; F01P 2001/005; B60Y 2200/221
See application file for complete search history.

(56) **References Cited**

U.S. PATENT DOCUMENTS

D663,753 S 7/2012 Hickman
D707,730 S 6/2014 Jackson

D753,195 S	4/2016	Jackson	
D756,421 S	5/2016	Okuyama	
D777,215 S	1/2017	Moritaka	
D783,059 S *	4/2017	Okuyama D15/23
D785,050 S	4/2017	Okuyama	
D785,051 S	4/2017	Okuyama	
D785,059 S	4/2017	Okuyama	
D799,562 S	10/2017	Okuyama	
D836,806 S	12/2018	Niclot	
D909,425 S	2/2021	Park	
D926,826 S	8/2021	Penmetsa et al.	
D928,204 S	8/2021	Huenink	
D942,513 S	2/2022	Lee	
11,447,036 B2	9/2022	Honjo	
11,448,231 B2	9/2022	Hong	
2006/0145536 A1	7/2006	Hackl et al.	
2014/0021779 A1	1/2014	Teichmann	
2014/0368170 A1	12/2014	Tang et al.	
2014/0375272 A1	12/2014	Johnsen et al.	
2015/0162784 A1	6/2015	Kydd	
2015/0266382 A1	9/2015	Penmetsa et al.	
2017/0129542 A1	5/2017	Kurokawa	
2019/0248421 A1 *	8/2019	Jacobsthal B62D 25/06

* cited by examiner

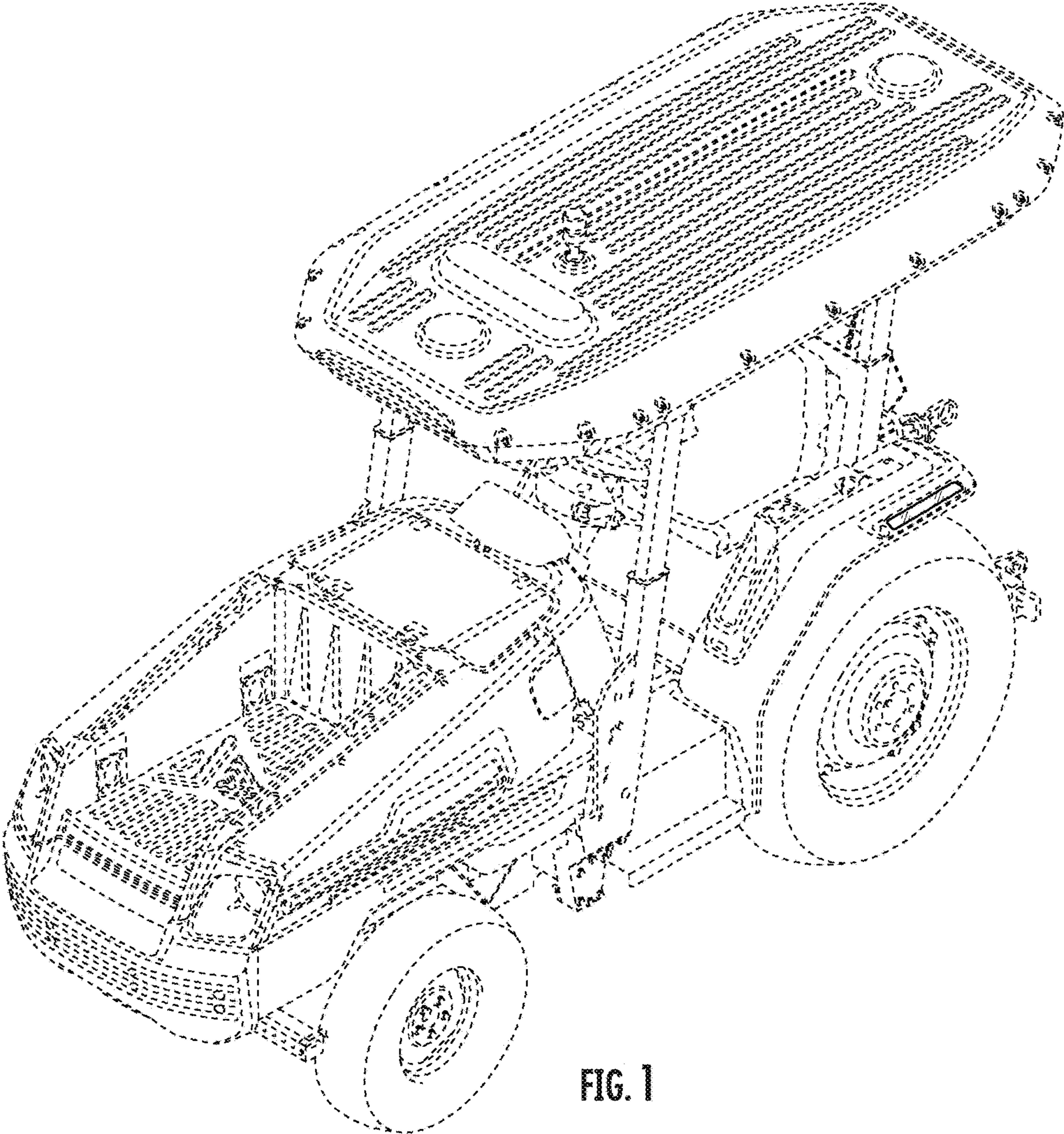


FIG. 1

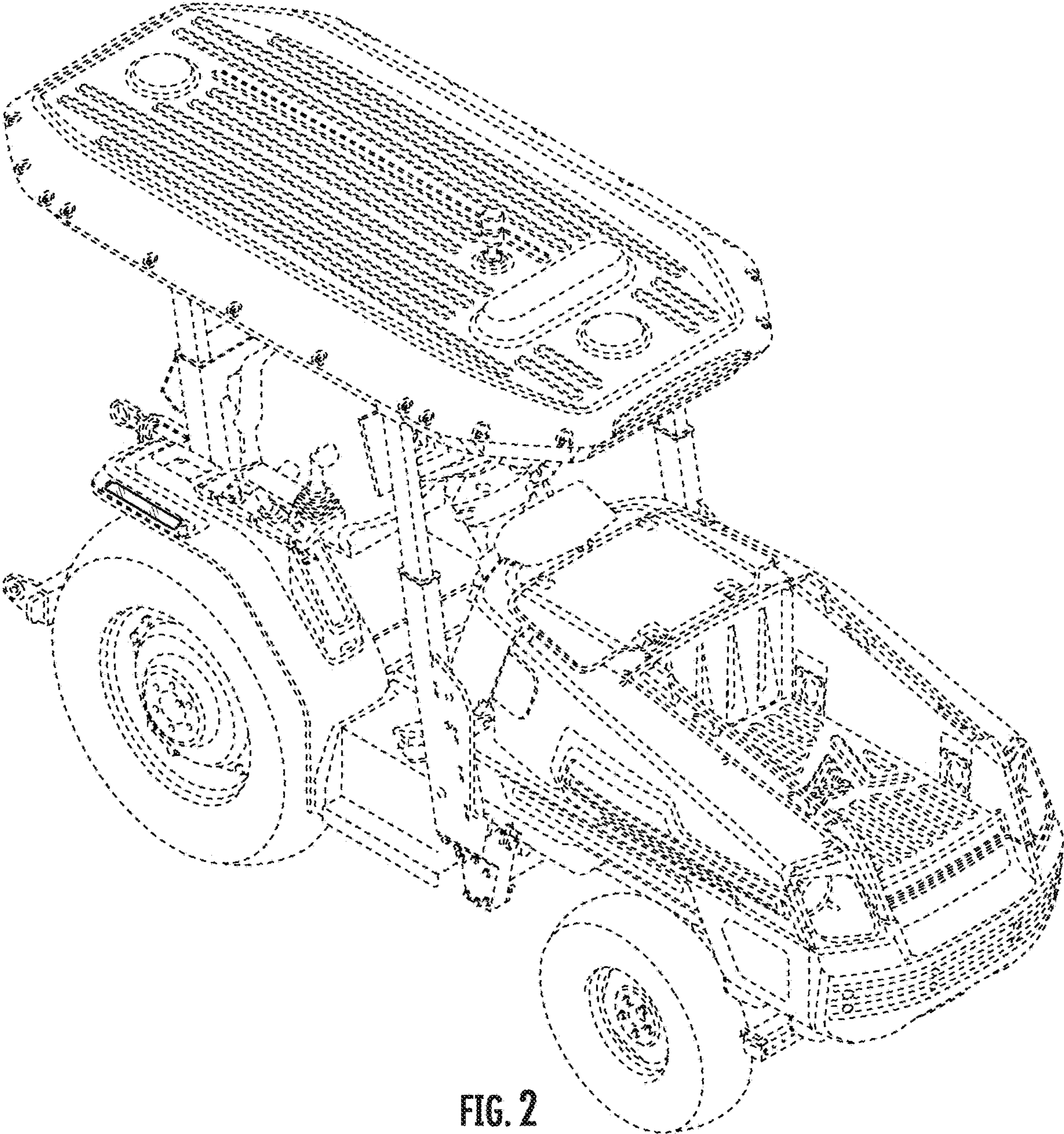


FIG. 2

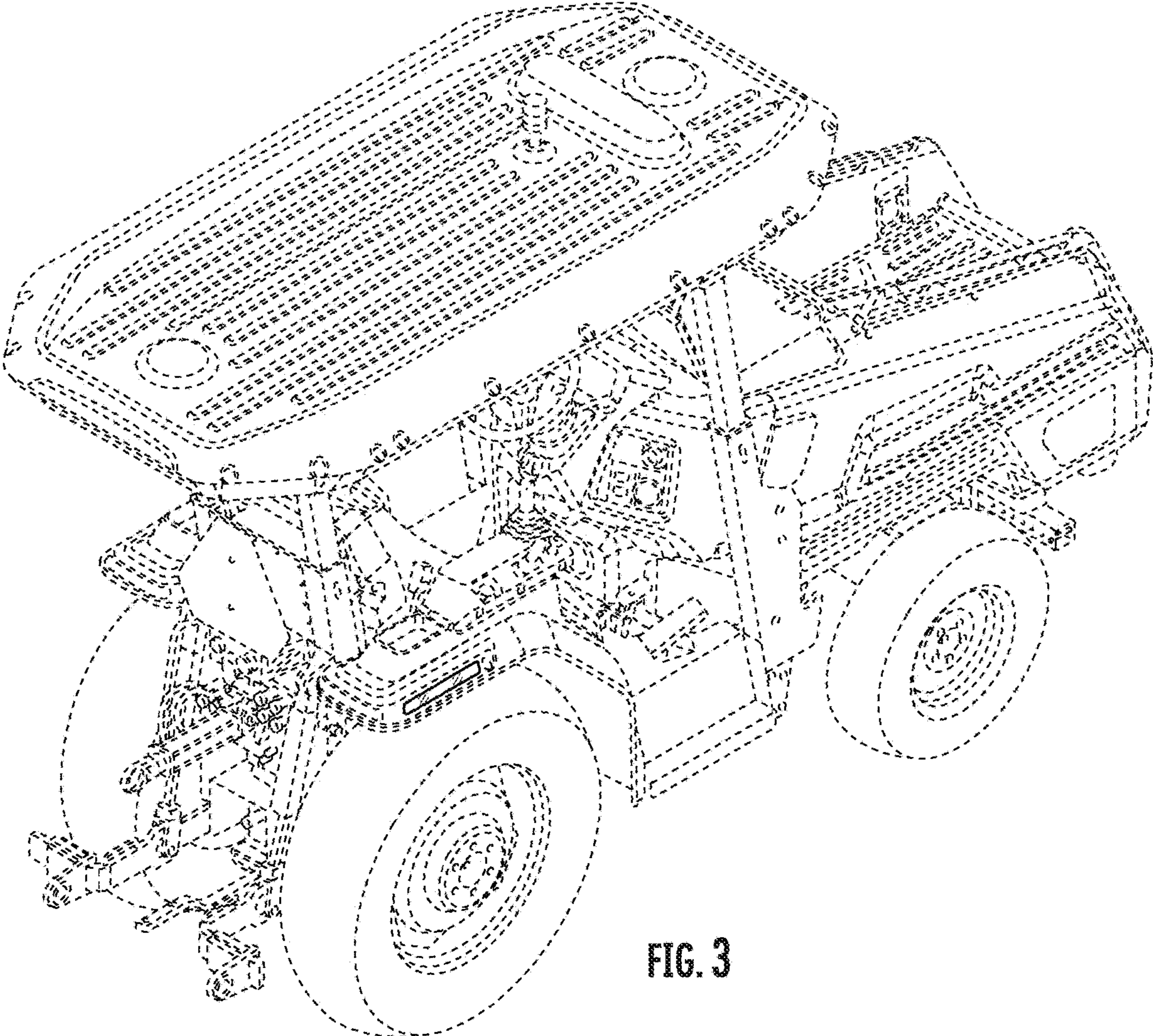
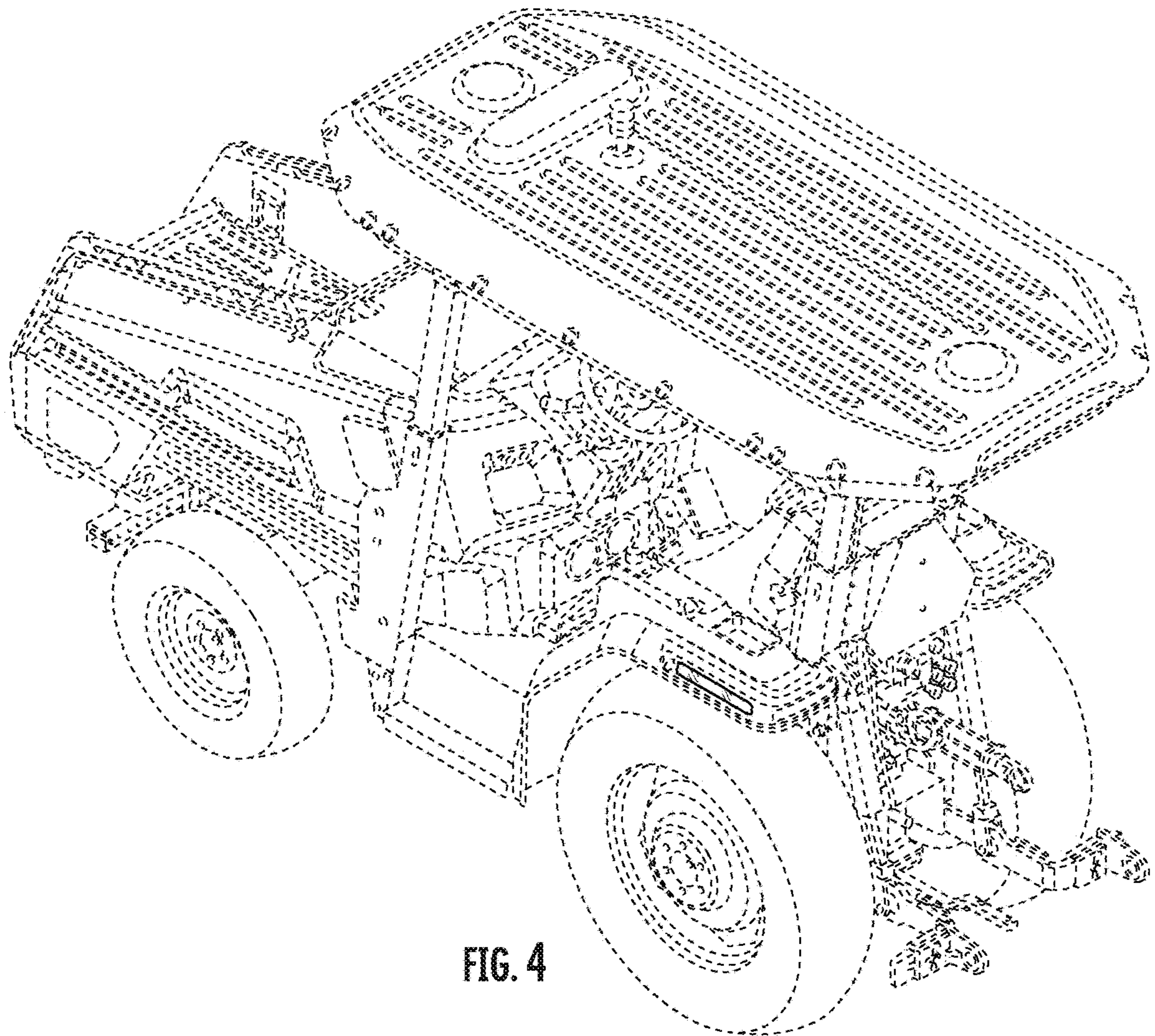


FIG. 3



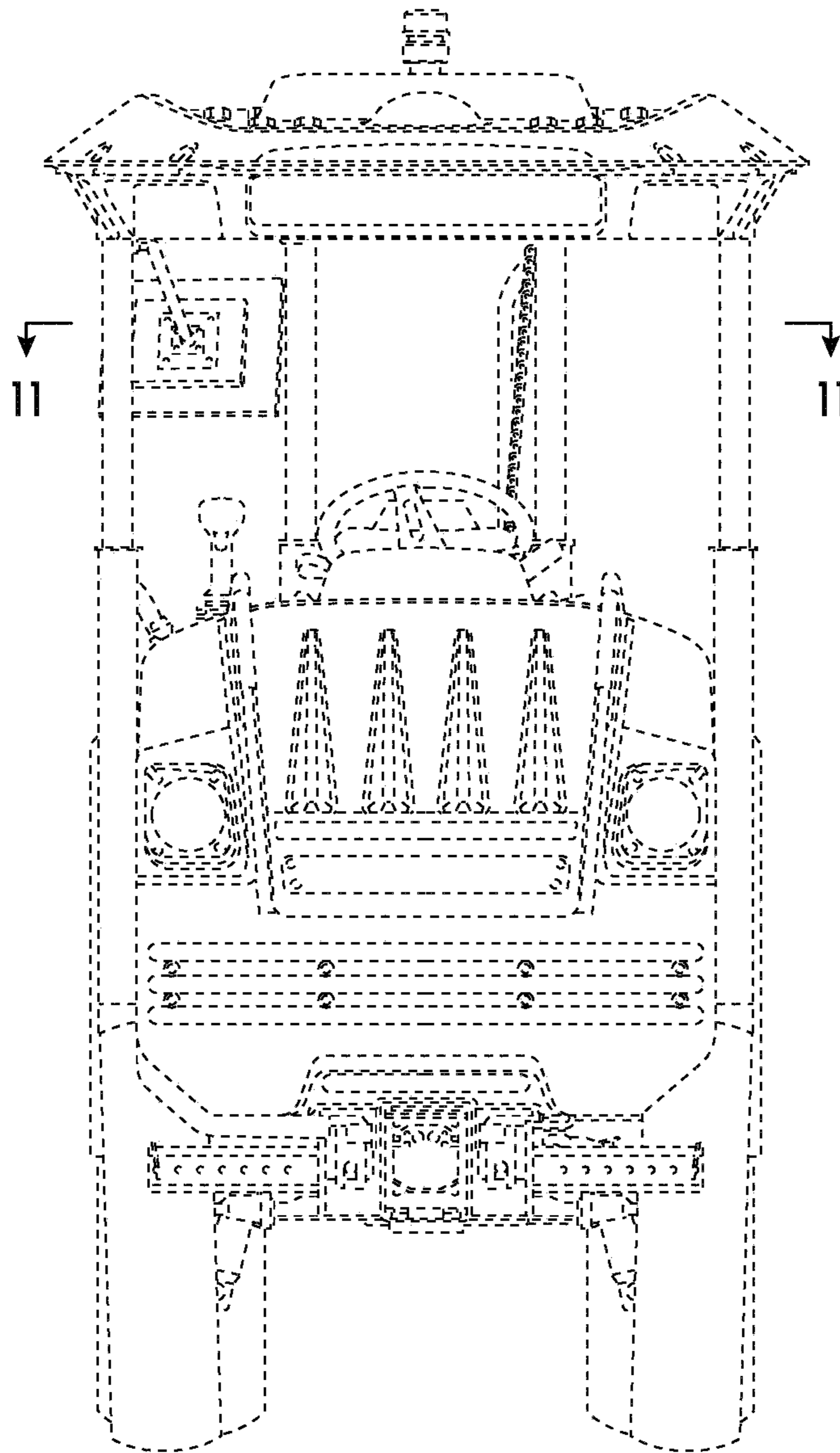


FIG. 5

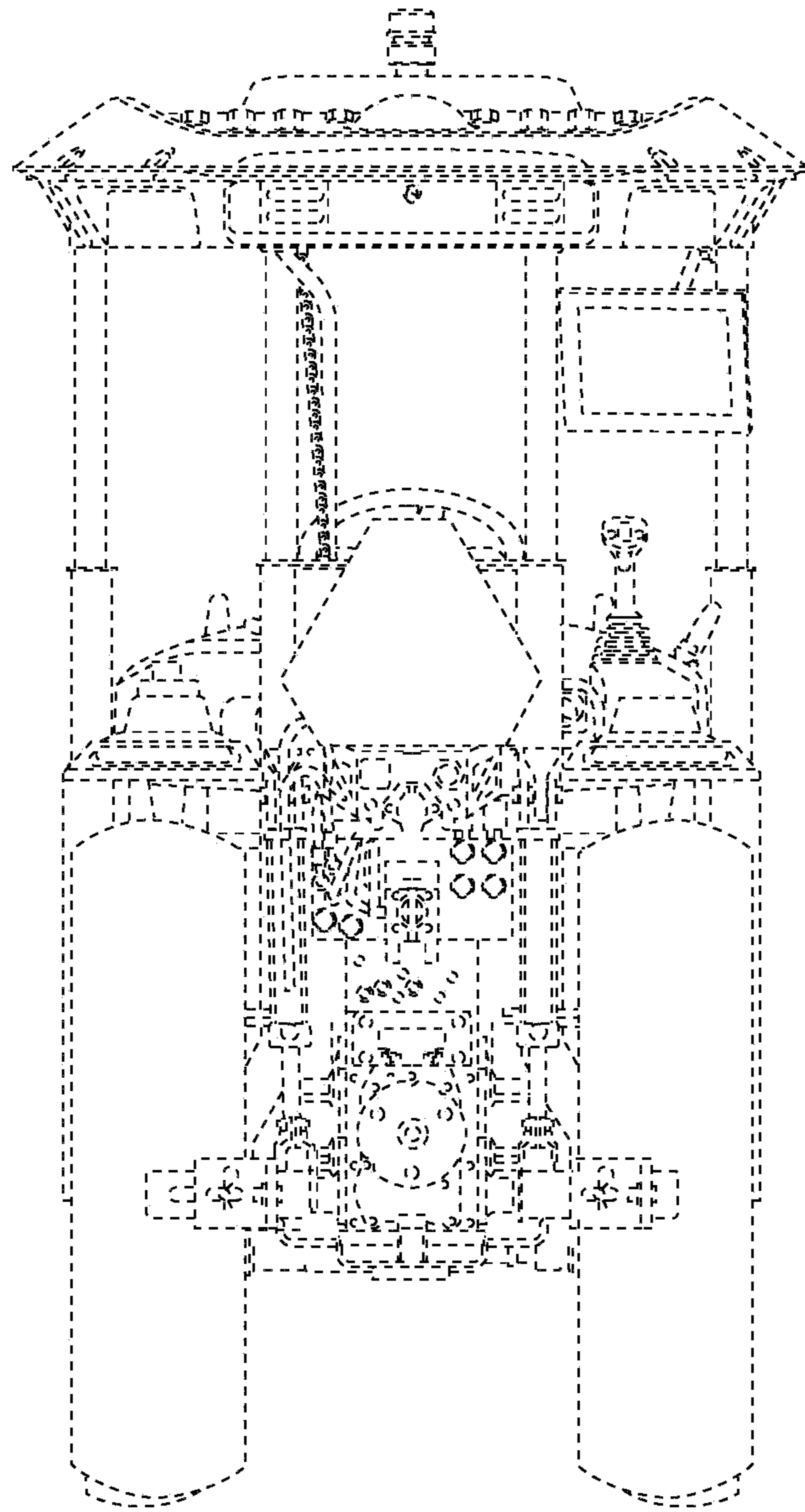


FIG. 6

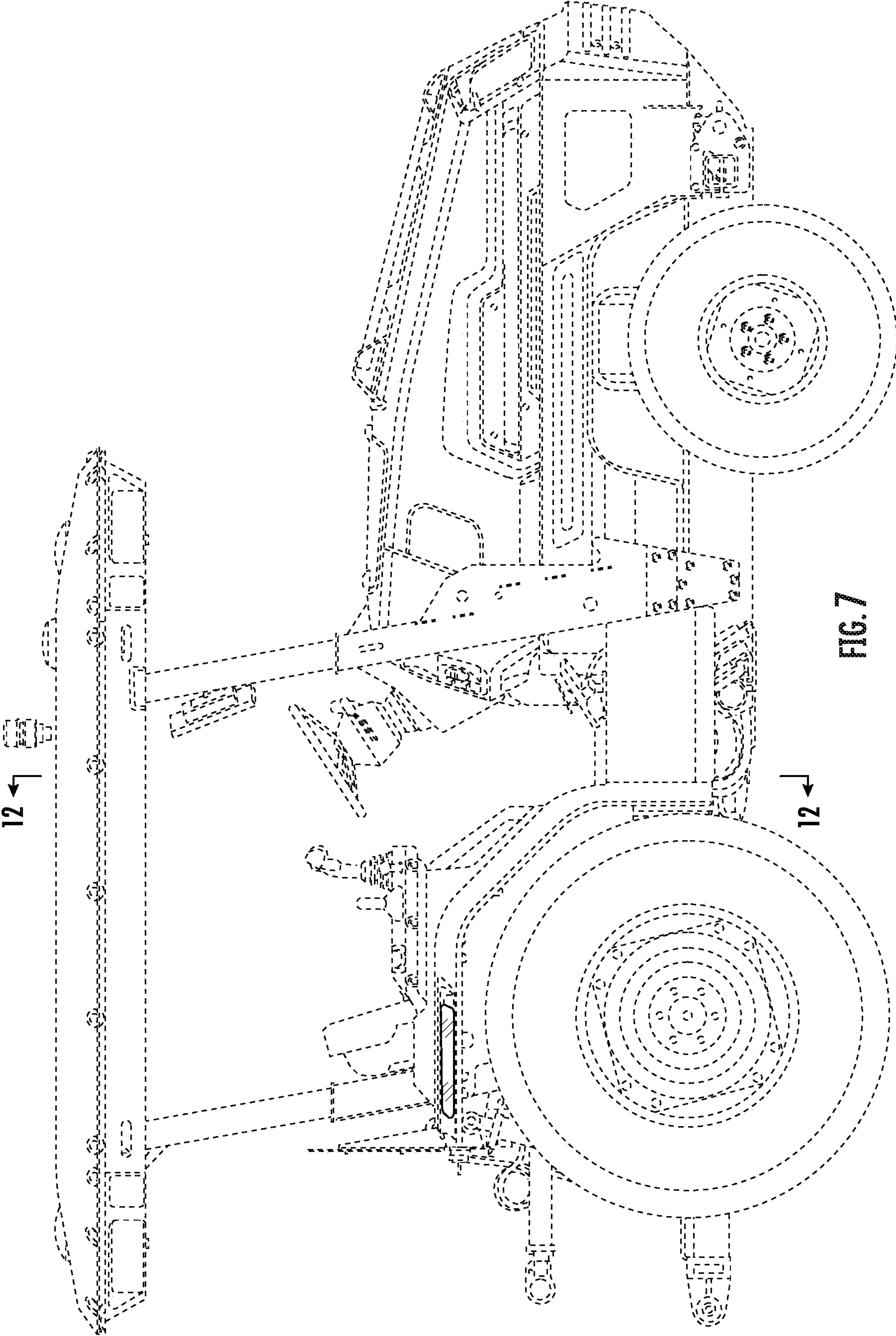


FIG. 7

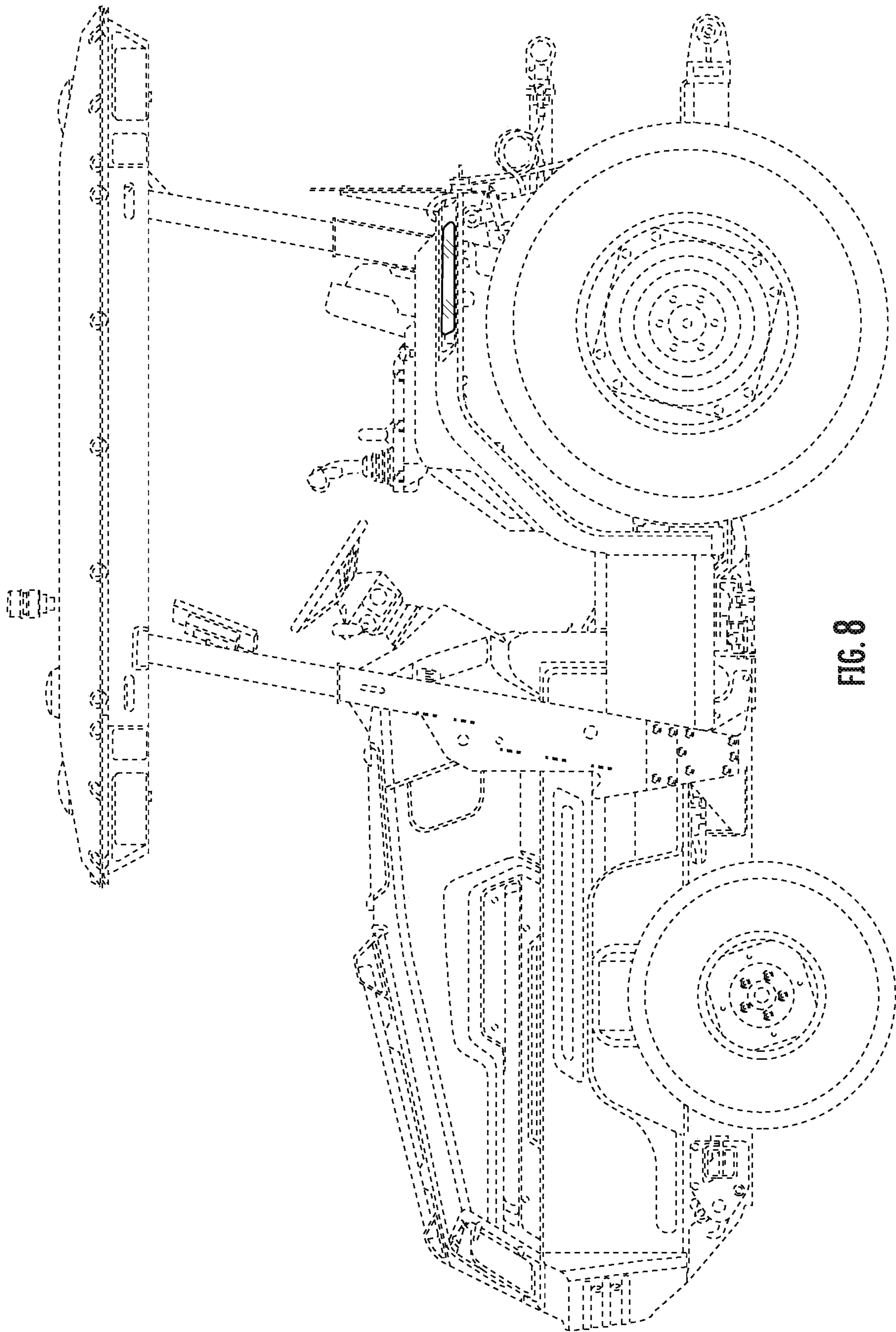


FIG. 8

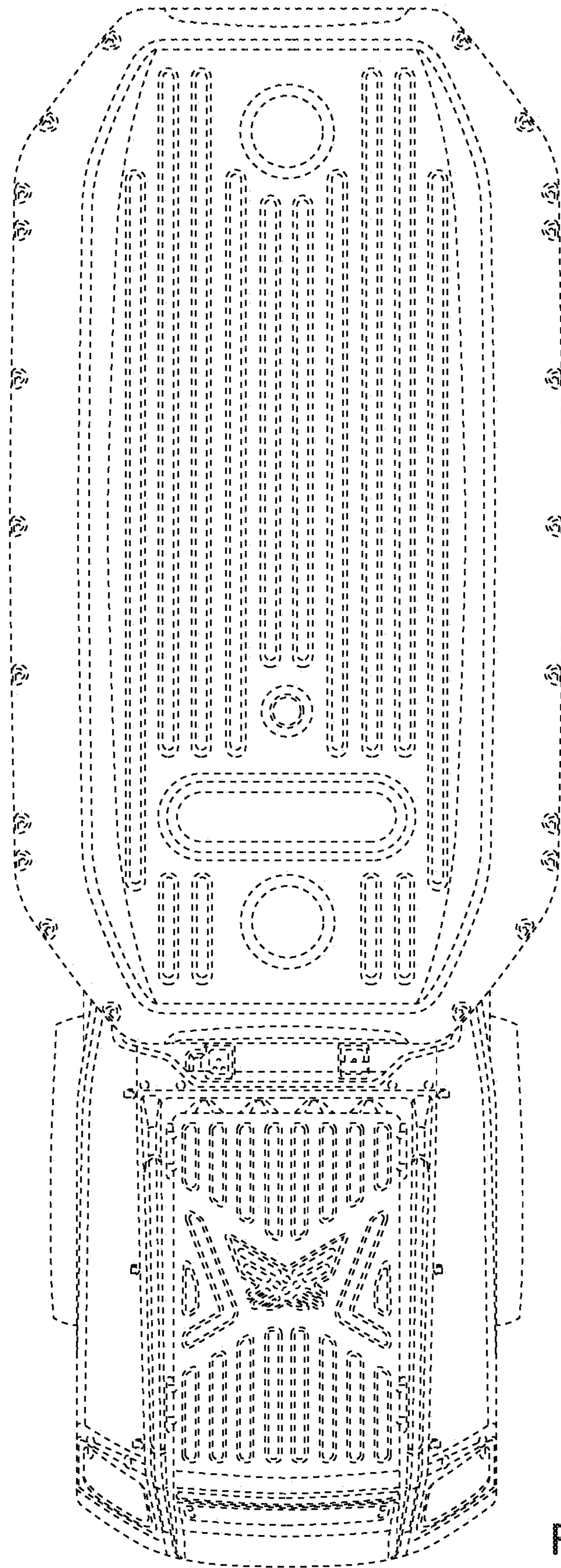


FIG. 9

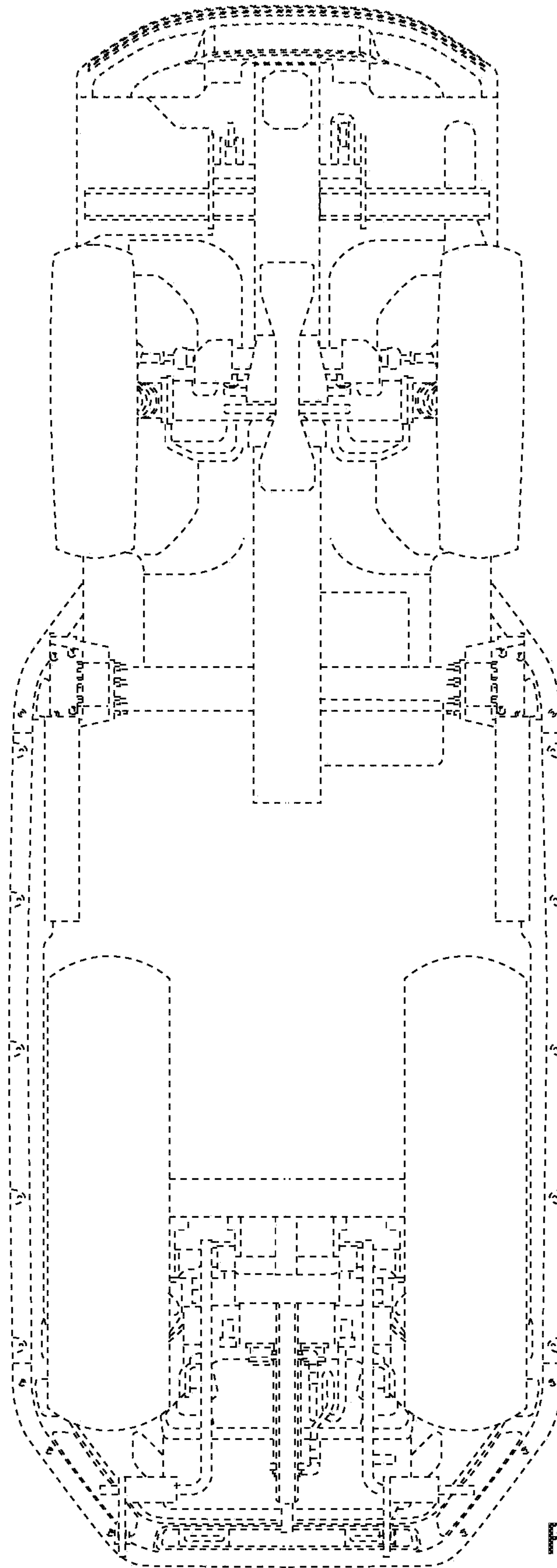


FIG. 10

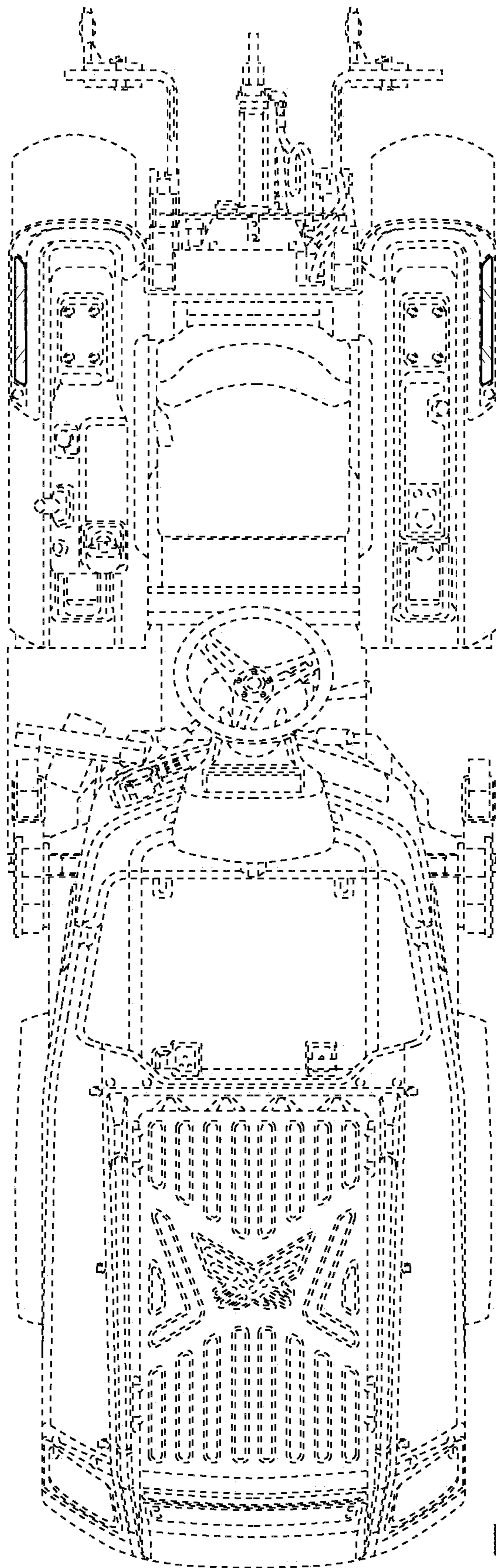


FIG. 11

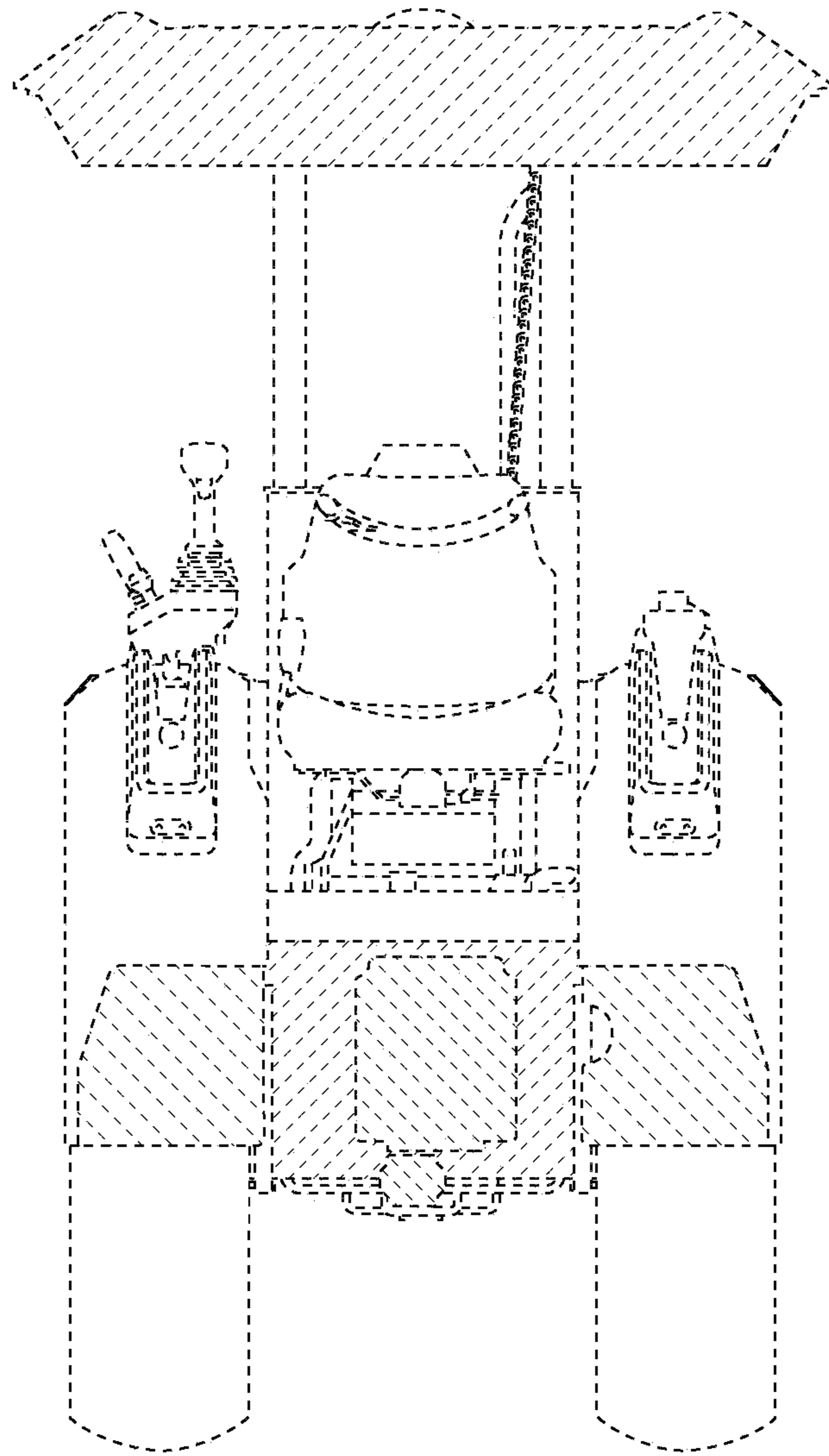


FIG. 12

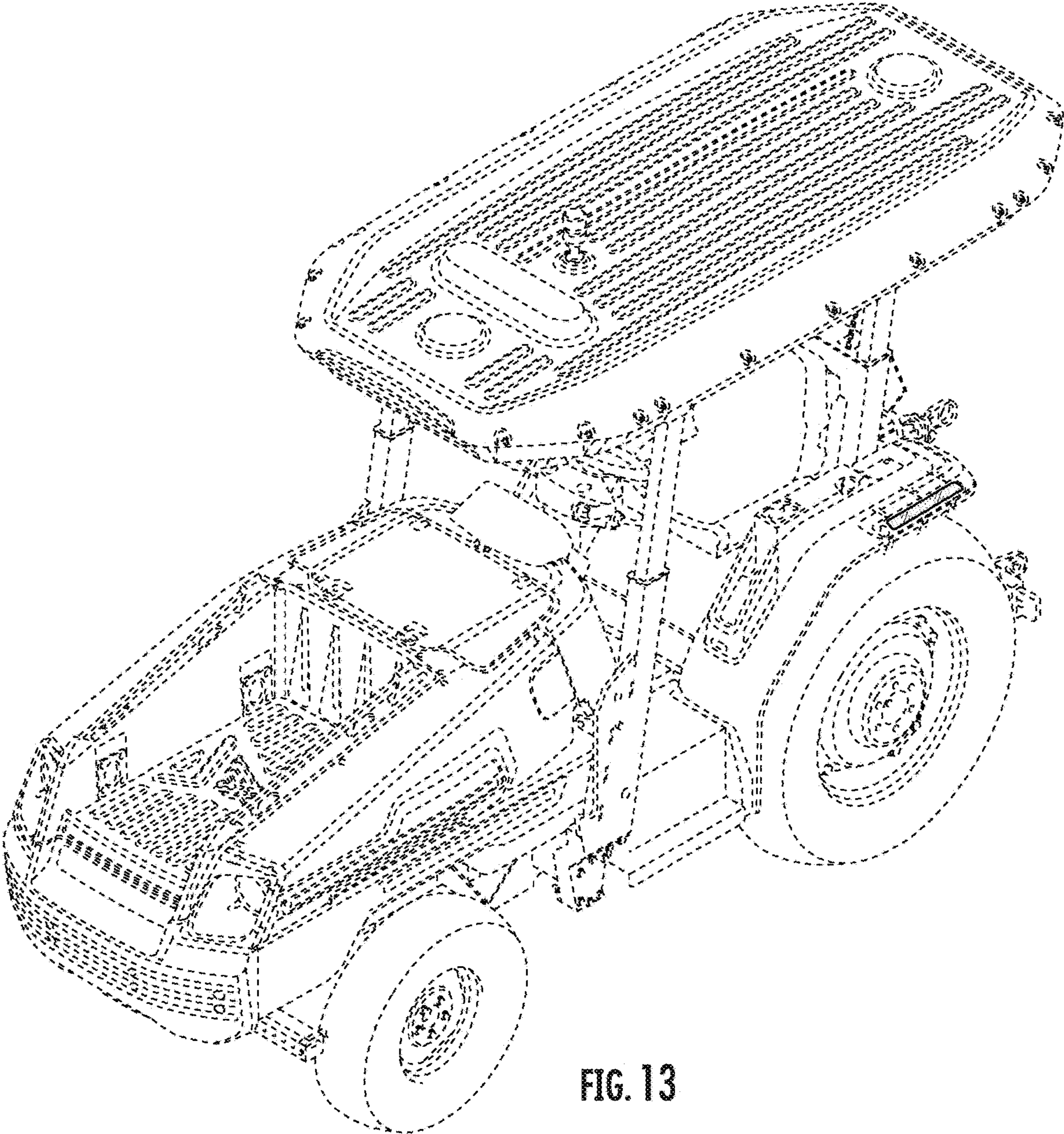
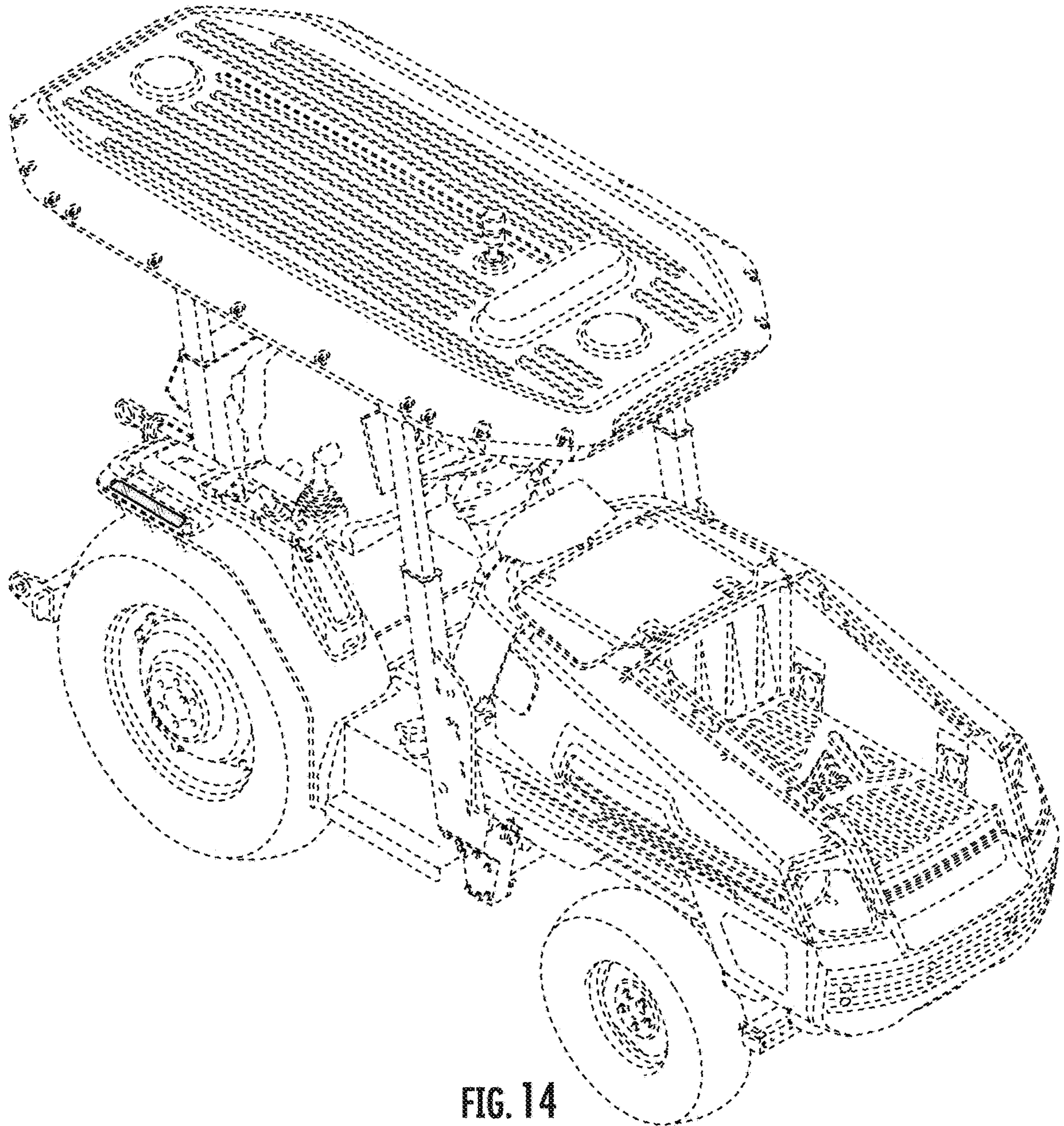


FIG. 13



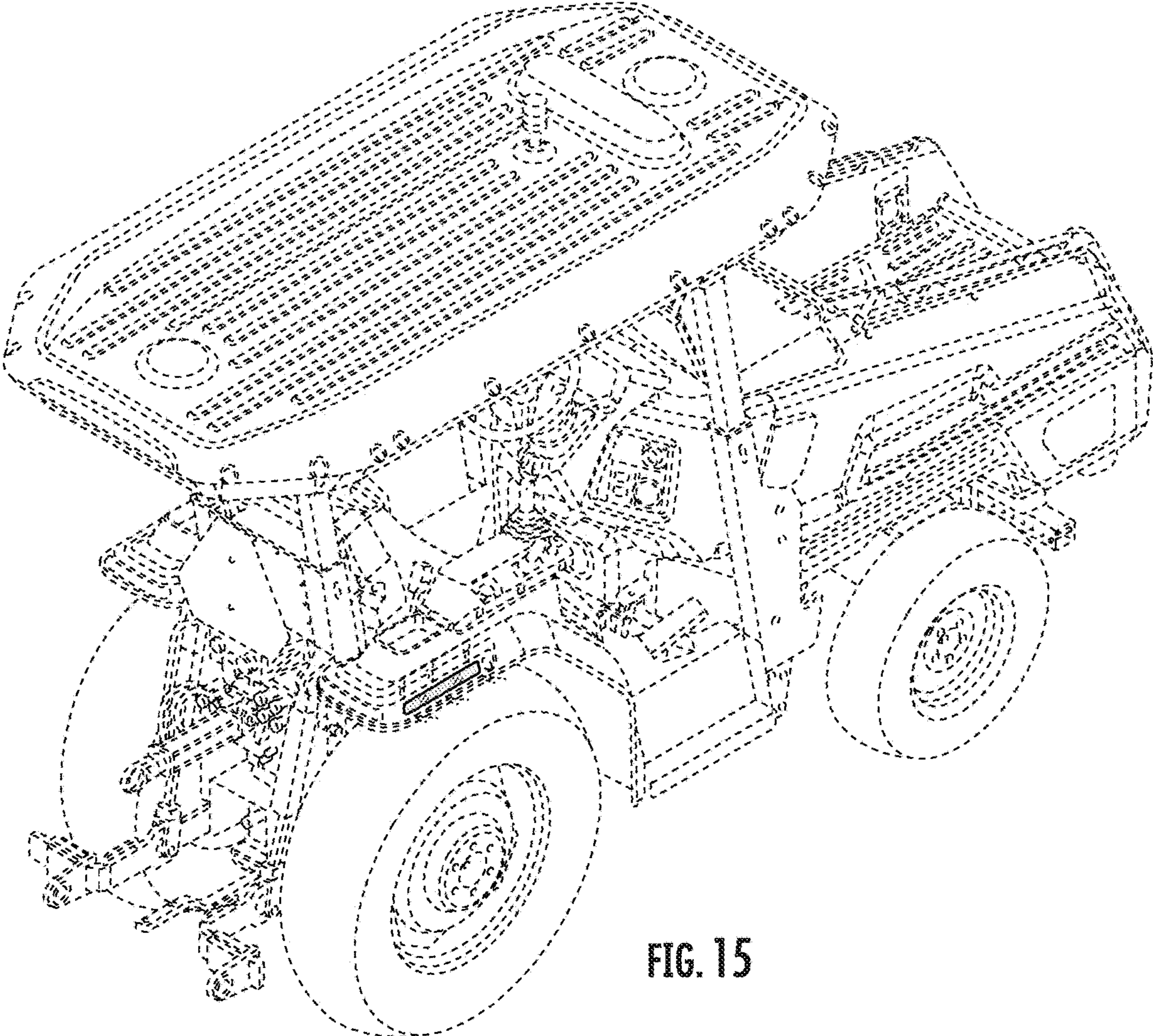
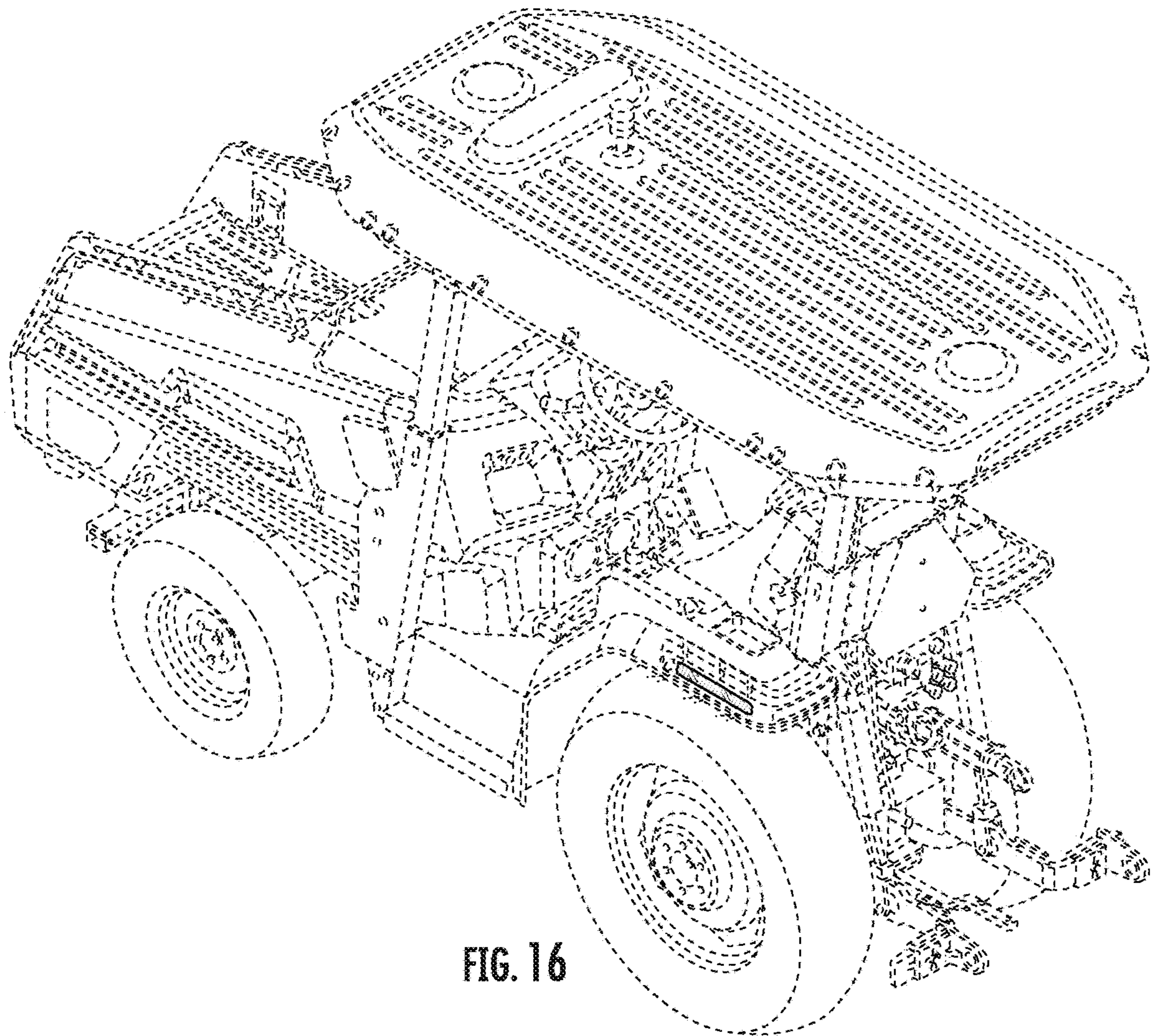


FIG. 15



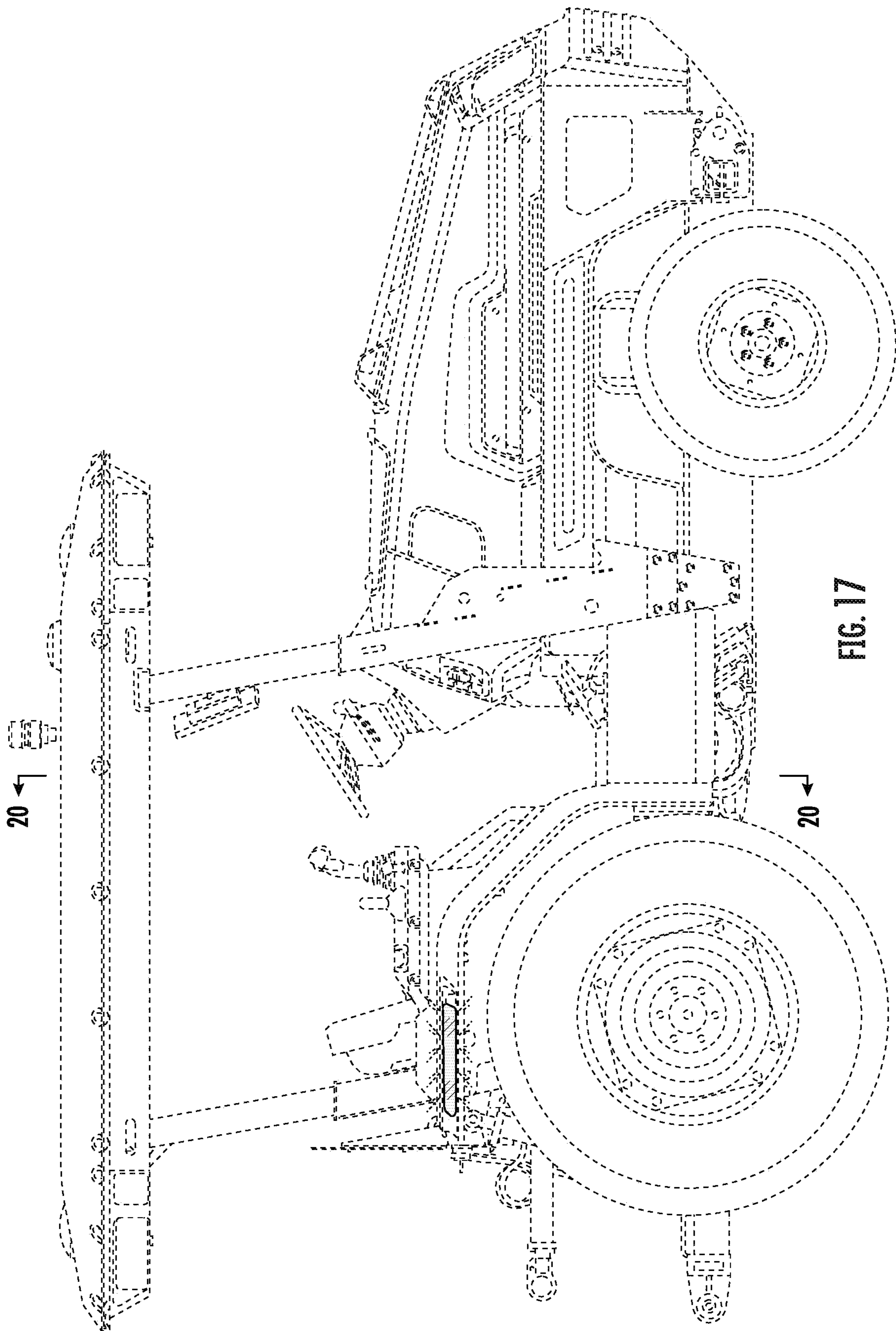


FIG. 17

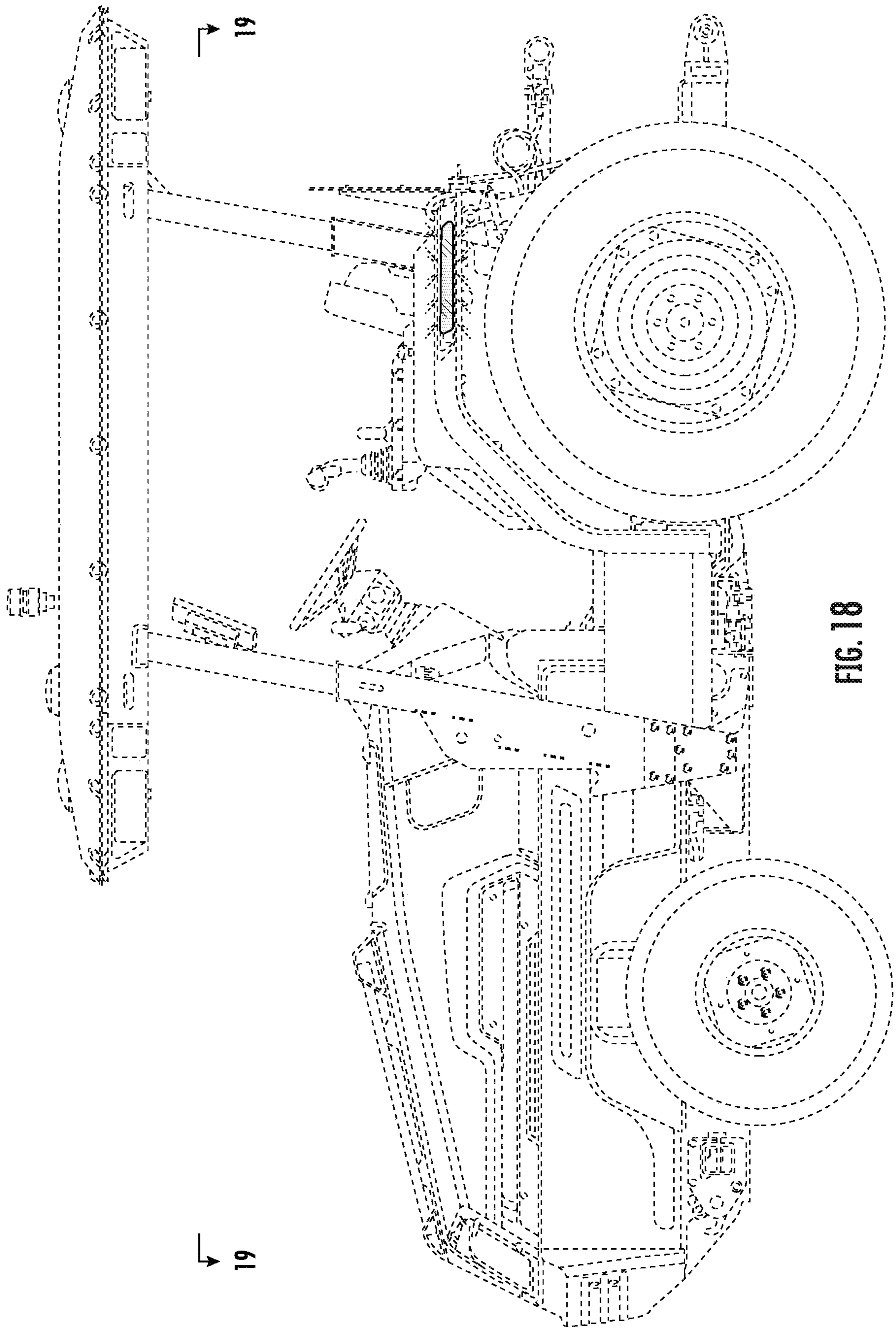


FIG. 18

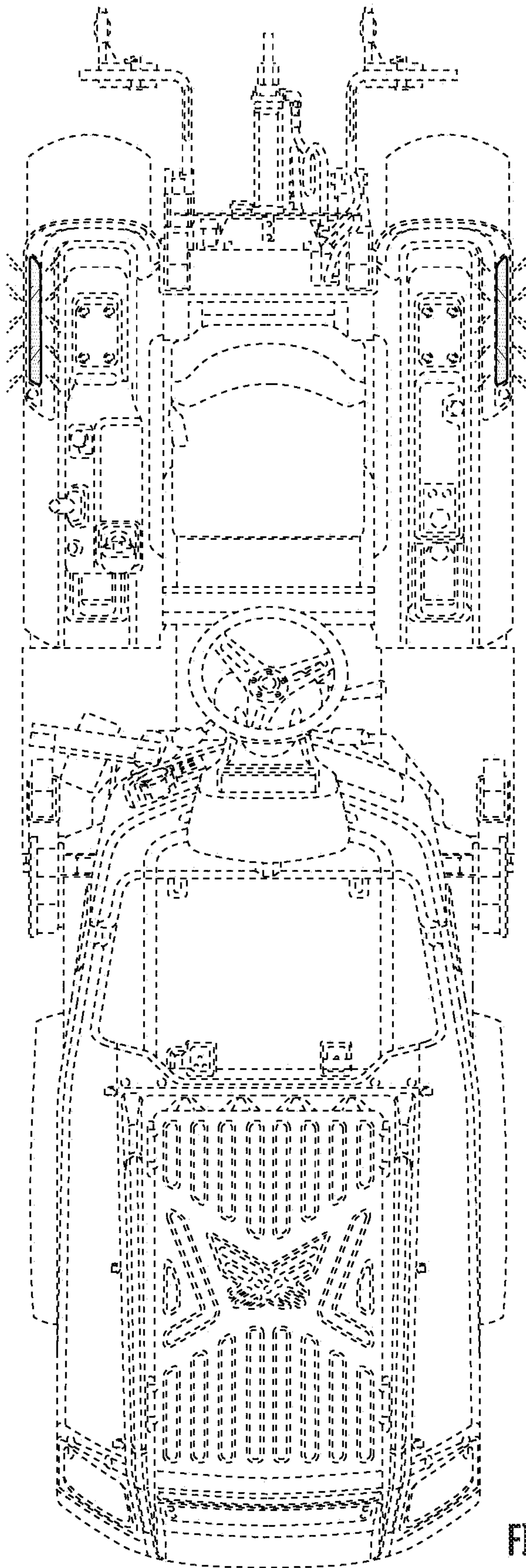


FIG. 19

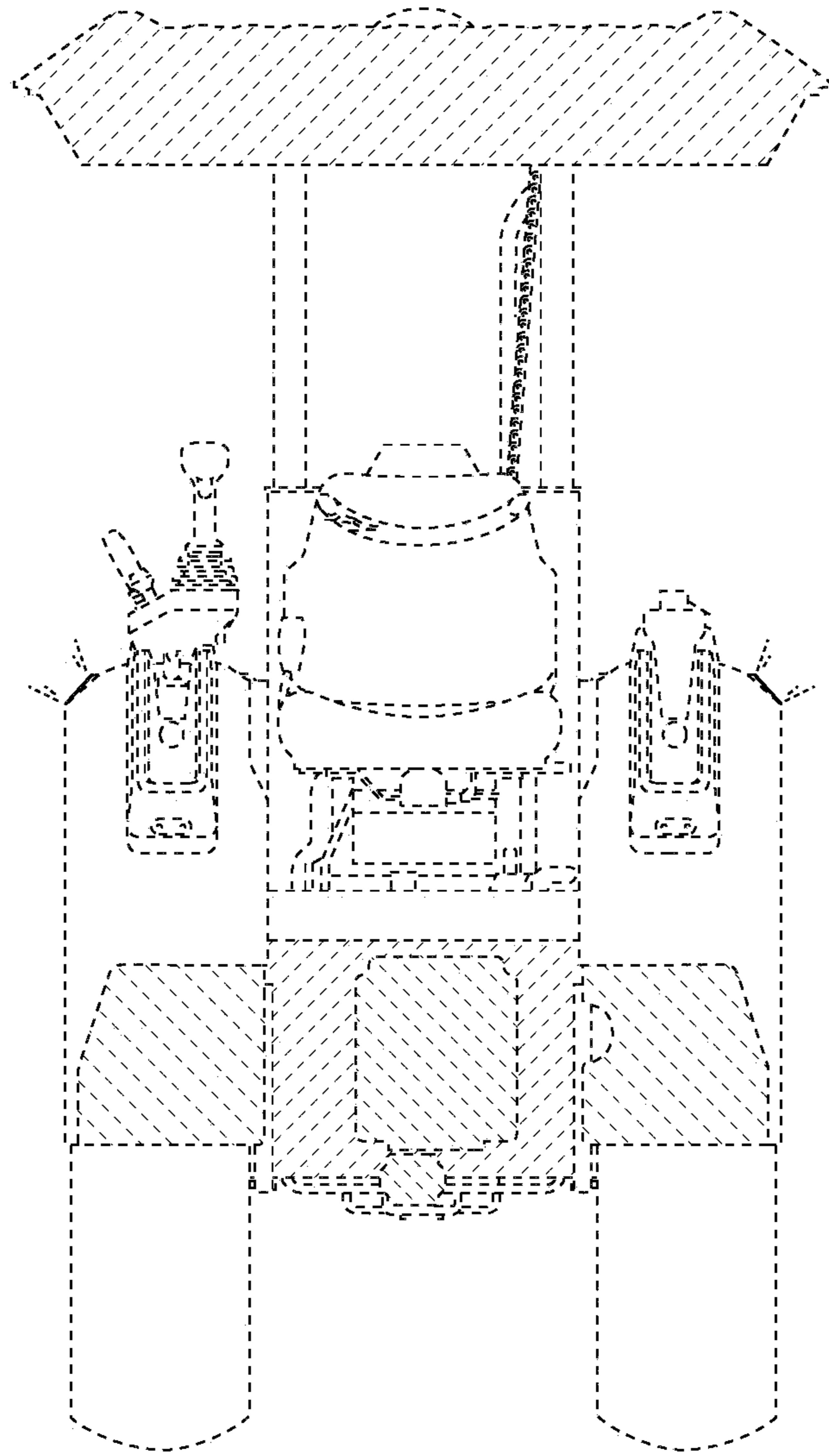


FIG. 20