



US00D983843S

(12) **United States Design Patent**
Carson

(10) **Patent No.:** **US D983,843 S**

(45) **Date of Patent:** **** Apr. 18, 2023**

(54) **EXCAVATOR BUCKET REVERSAL HITCH**

(71) Applicant: **Carson Fabrication, LLC**, Loveland, CO (US)

(72) Inventor: **Samuel J. Carson**, Loveland, CO (US)

(73) Assignee: **CARSON FABRICATION, LLC**, Loveland, CO (US)

(**) Term: **15 Years**

(21) Appl. No.: **29/789,396**

(22) Filed: **Sep. 21, 2021**

(51) **LOC (14) Cl.** **15-03**

(52) **U.S. Cl.**
USPC **D15/28**

(58) **Field of Classification Search**
USPC D15/10-32; D8/382; 412/272, 439; 172/248, 272, 439, 443
CPC E02F 3/365; E02F 3/3622; E02F 3/3627; F16L 37/127; A01B 73/00; A01B 73/02; A01B 73/06; A01B 73/067; A01B 73/044; A01B 73/04

See application file for complete search history.

(56) **References Cited**

U.S. PATENT DOCUMENTS

D272,070 S * 1/1984 Larsson D15/28
D272,250 S * 1/1984 Larsson D15/28
(Continued)

OTHER PUBLICATIONS

“JP Excavator Couplers Reversible Bucket Coupler | Skid Steer Solutions,” available at <https://www.skidsteersolutions.com/bobcat-reversible-bucket-coupler-jp-excavator-couplers/> printed Jul. 8, 2021.
(Continued)

Primary Examiner — Mark A Goodwin
(74) *Attorney, Agent, or Firm* — Trenner Law Firm, LLC; Mark Trenner

(57) **CLAIM**

The ornamental design for excavator bucket reversal hitch, as shown and described.

DESCRIPTION

FIG. 1 is a front top perspective view of the excavator bucket reversal hitch;

FIG. 2 is a front bottom perspective view corresponding to FIG. 1;

FIG. 3 is a back bottom perspective view corresponding to FIG. 1;

FIG. 4 is a back perspective view corresponding to FIG. 1;

FIG. 5 is a front perspective view corresponding to FIG. 1;

FIG. 6 is a right-side view of the design corresponding to FIG. 1;

FIG. 7 is a left-side view of the design corresponding to FIG. 1;

FIG. 8 is a front view of the design corresponding to FIG. 1;

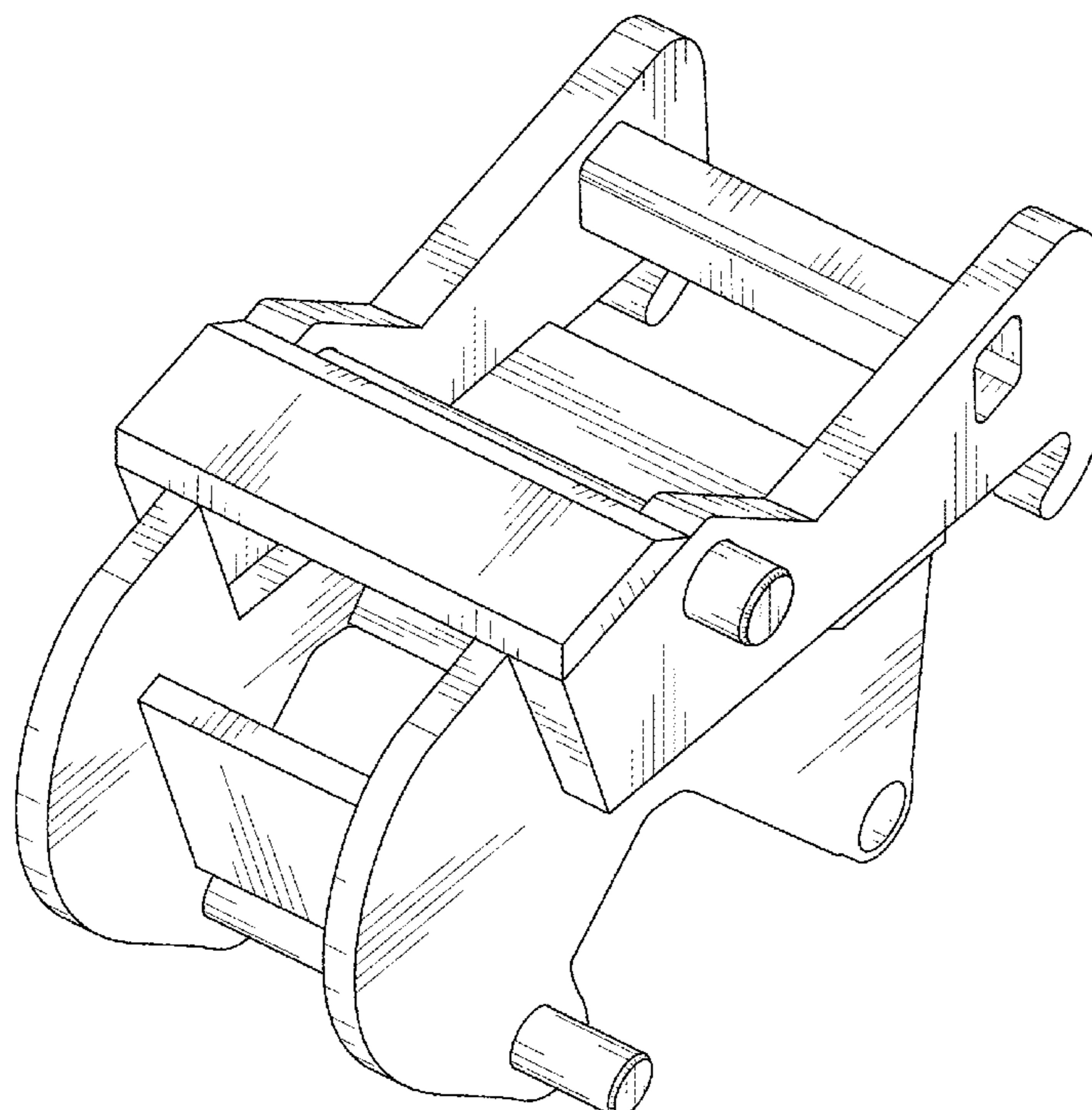
FIG. 9 is a back view of the design corresponding to FIG. 1;

FIG. 10 is a top view of the design corresponding to FIG. 1;

FIG. 11 is a bottom view of the design corresponding to FIG. 1; and,

FIG. 12 is a perspective view of the design corresponding to FIG. 1 shown as it may be mounted to an excavator, wherein the excavator is shown in dashed lines to show environment and does not form a part of the design.

1 Claim, 8 Drawing Sheets



(56)

References Cited

U.S. PATENT DOCUMENTS

4,480,955 A * 11/1984 Andrews E02F 3/364
37/468
4,545,720 A * 10/1985 Cochran E02F 3/3627
172/275
4,948,328 A 8/1990 Busch
5,791,863 A * 8/1998 Droegemueller E02F 3/3622
37/468
5,813,822 A * 9/1998 Pisco E02F 3/4135
414/723
5,927,665 A * 7/1999 Grabnic E02F 3/3604
403/4
D440,983 S * 4/2001 Miller D15/28
6,233,852 B1 * 5/2001 Pemberton E02F 3/3668
37/468
D455,762 S * 4/2002 Kaczmariski D15/28
6,364,561 B1 * 4/2002 Droegemueller E02F 3/3636
403/336
6,379,075 B1 * 4/2002 Shamblin E02F 3/3613
37/468
D458,942 S * 6/2002 Balemi D15/28
6,499,904 B2 * 12/2002 Nye E02F 3/364
37/468
6,539,650 B2 * 4/2003 Kaczmariski E02F 3/3645
37/468
6,691,438 B2 * 2/2004 Fatemi E02F 3/3627
37/468
6,881,002 B2 * 4/2005 Fatemi E02F 3/3618
37/468
7,267,521 B1 * 9/2007 Smith E02F 3/3627
37/468

7,306,395 B2 * 12/2007 Fatemi E02F 3/365
403/321
D574,225 S * 8/2008 Scheib D8/382
D593,848 S * 6/2009 Balemi D8/382
D593,849 S * 6/2009 Balemi D8/382
D599,198 S * 9/2009 Balemi D8/382
7,779,562 B1 * 8/2010 Loveless E02F 3/3686
37/231
7,832,130 B2 * 11/2010 Sederberg E02F 3/627
37/468
D638,037 S * 5/2011 Miller D15/28
D645,063 S * 9/2011 Bercsik D15/32
8,151,494 B2 * 4/2012 Scheib E02F 3/3663
37/468
8,496,424 B2 * 7/2013 Yrjo E02F 3/3686
172/275
D782,545 S * 3/2017 Forth D15/28
9,587,371 B1 * 3/2017 Hostetler E02F 3/6454
10,458,094 B2 * 10/2019 Weaver E02F 3/3636
10,794,036 B2 * 10/2020 Doyle E02F 3/961
D953,381 S * 5/2022 Sivinski A01C 5/064
D15/28
D967,871 S * 10/2022 Schauer E02F 3/365
D15/28
11,466,424 B2 * 10/2022 Beaudoin E02F 3/3622
2005/0169738 A1 8/2005 Holt

OTHER PUBLICATIONS

“How To Reverse The Bucket On Your Bobcat Excavator—Skid Steer Solutions,” available at <https://www.skidsteersolutions.com/skid-steer-solutions-blog/how-to-reverse-the-bucket-on-your-bobcat-excavator/> and dated Sep. 17, 2020.

* cited by examiner

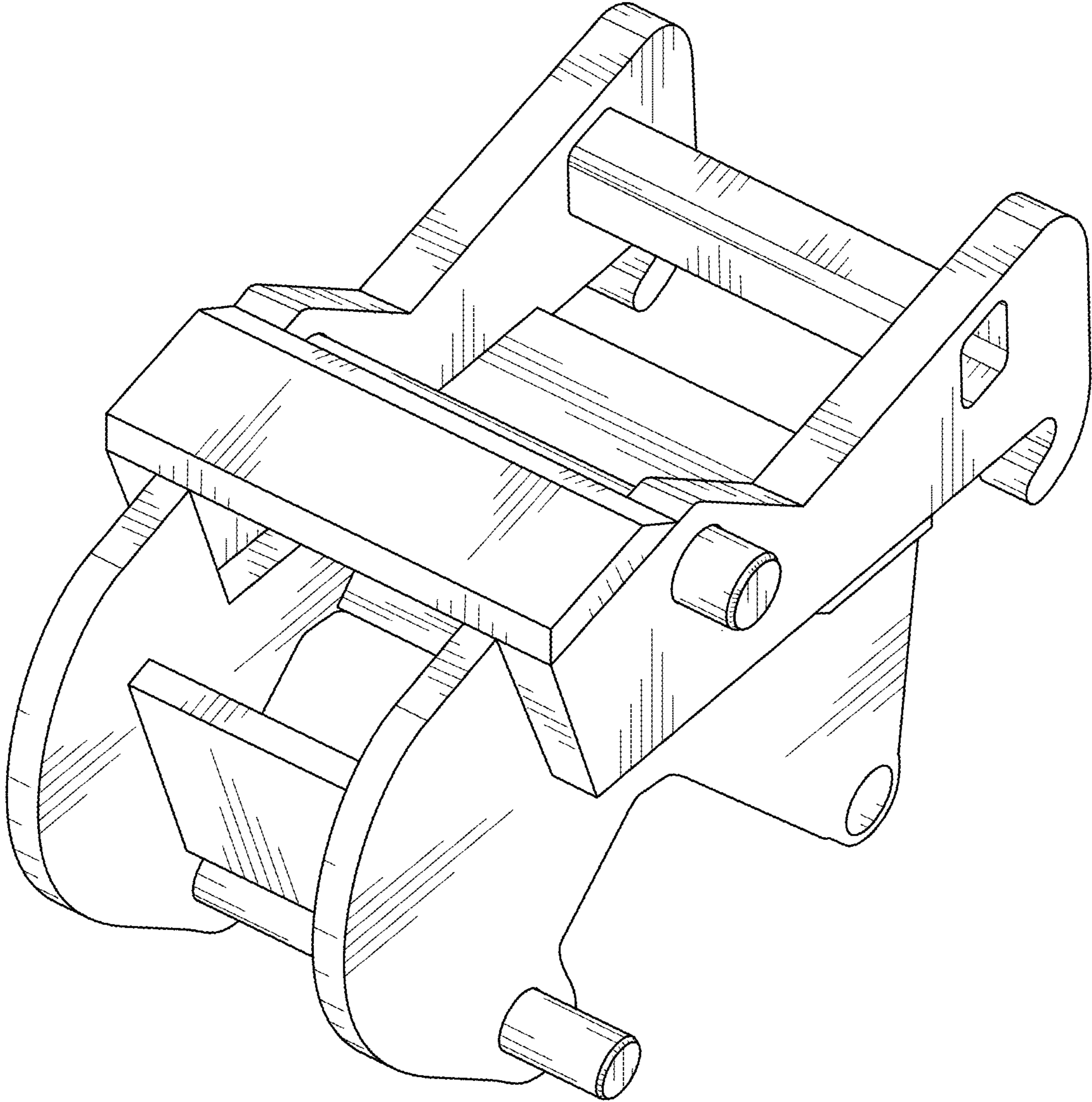


FIG. 1

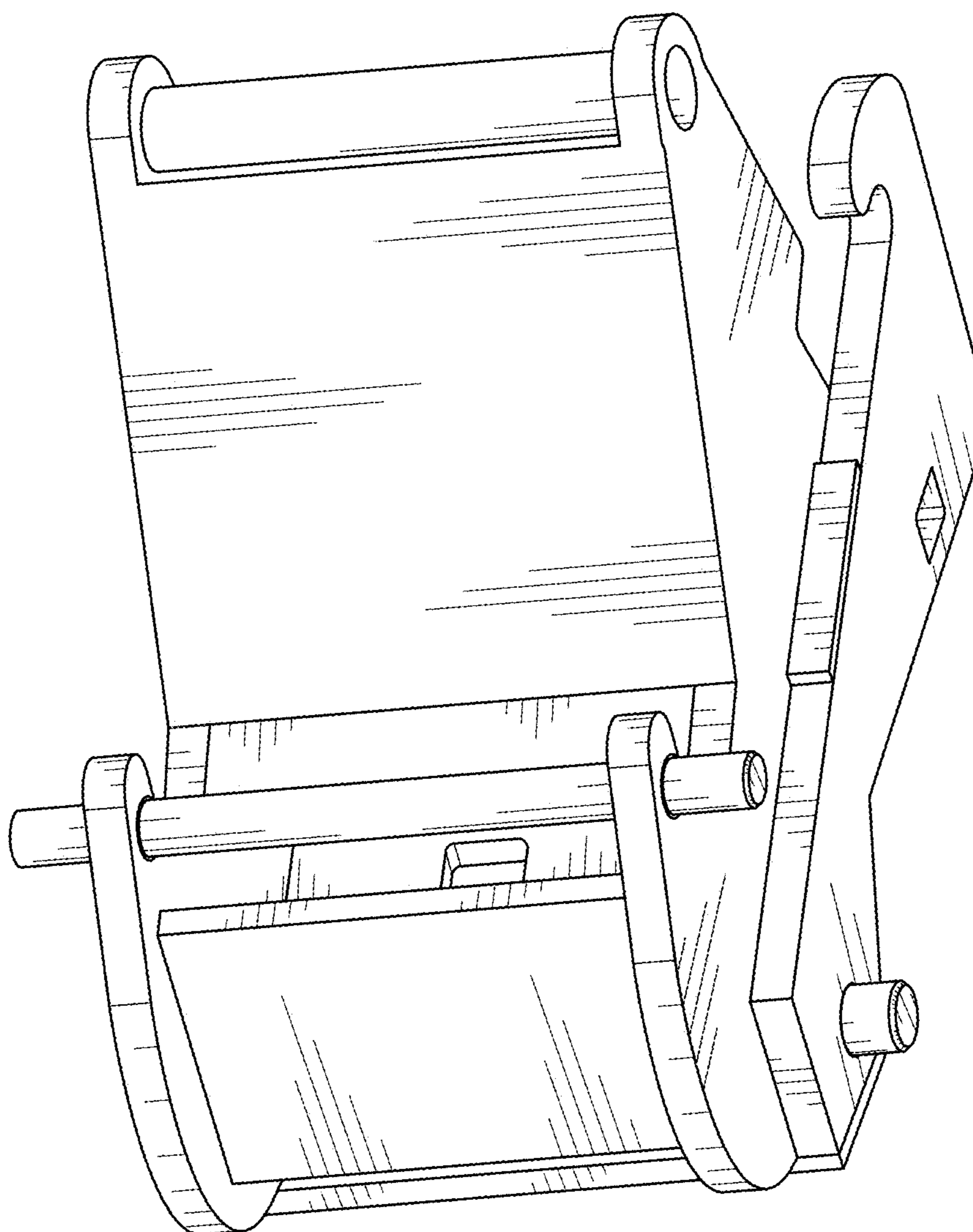


FIG. 2

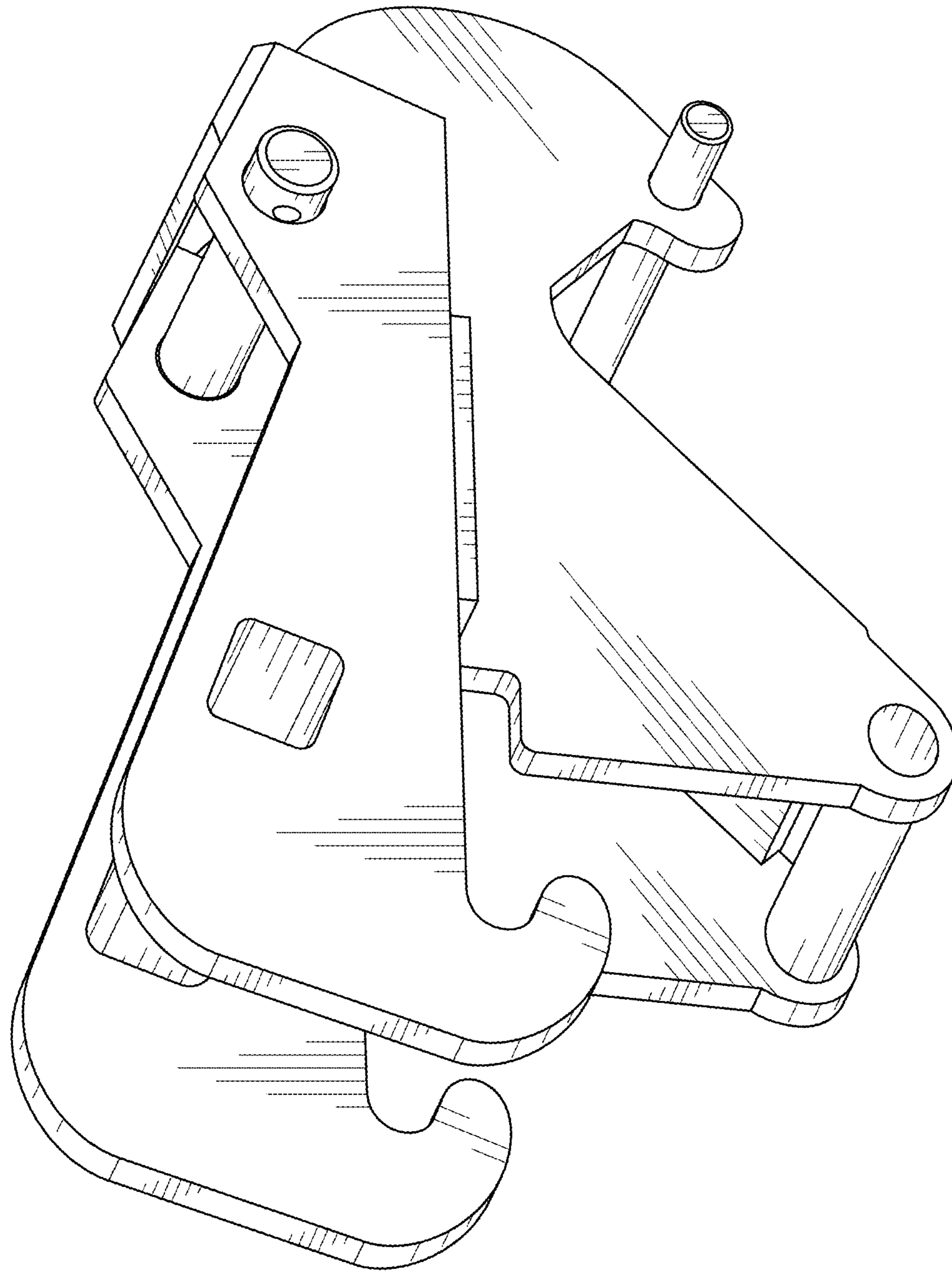


FIG. 3

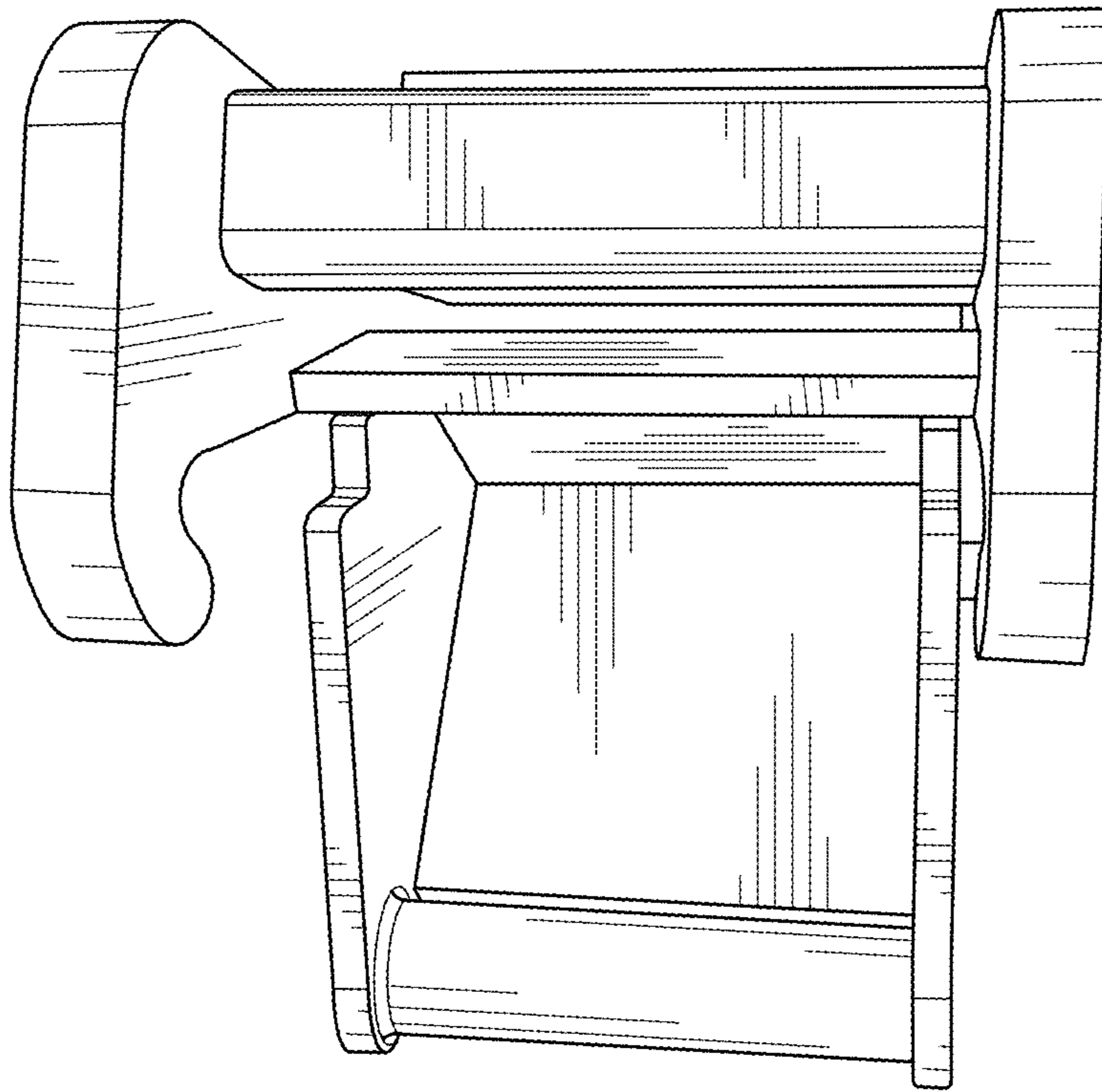


FIG. 4

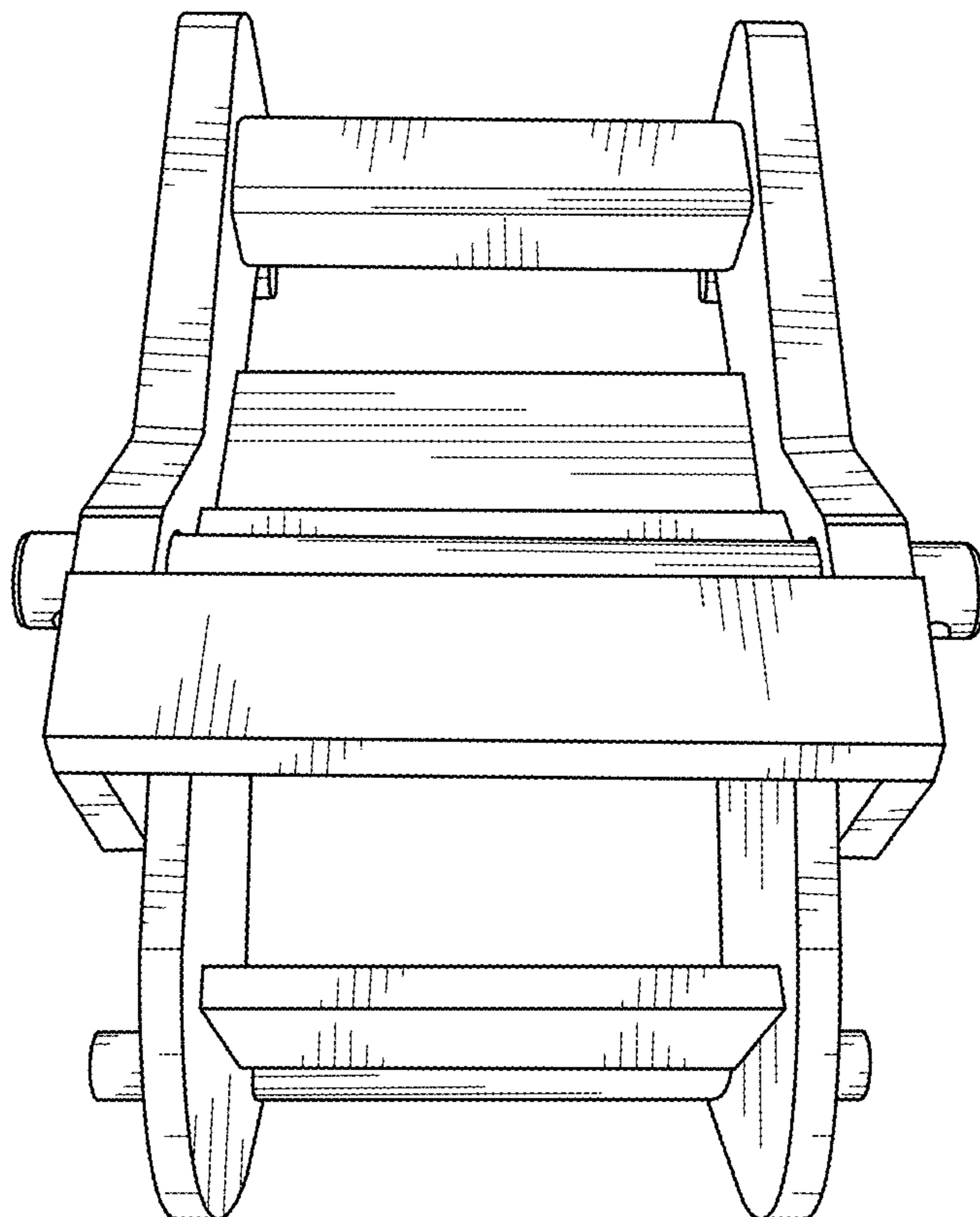


FIG. 5

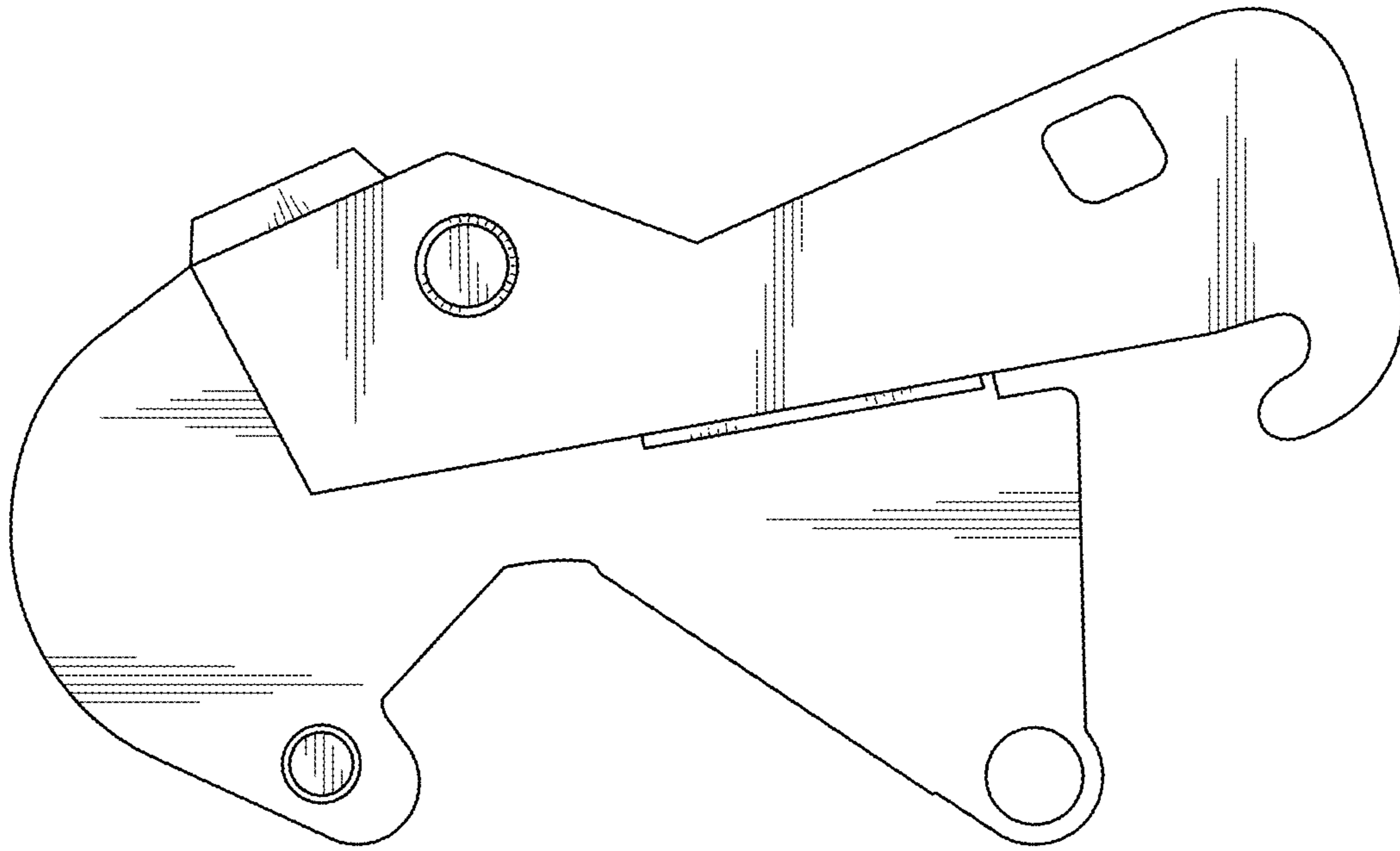


FIG. 6

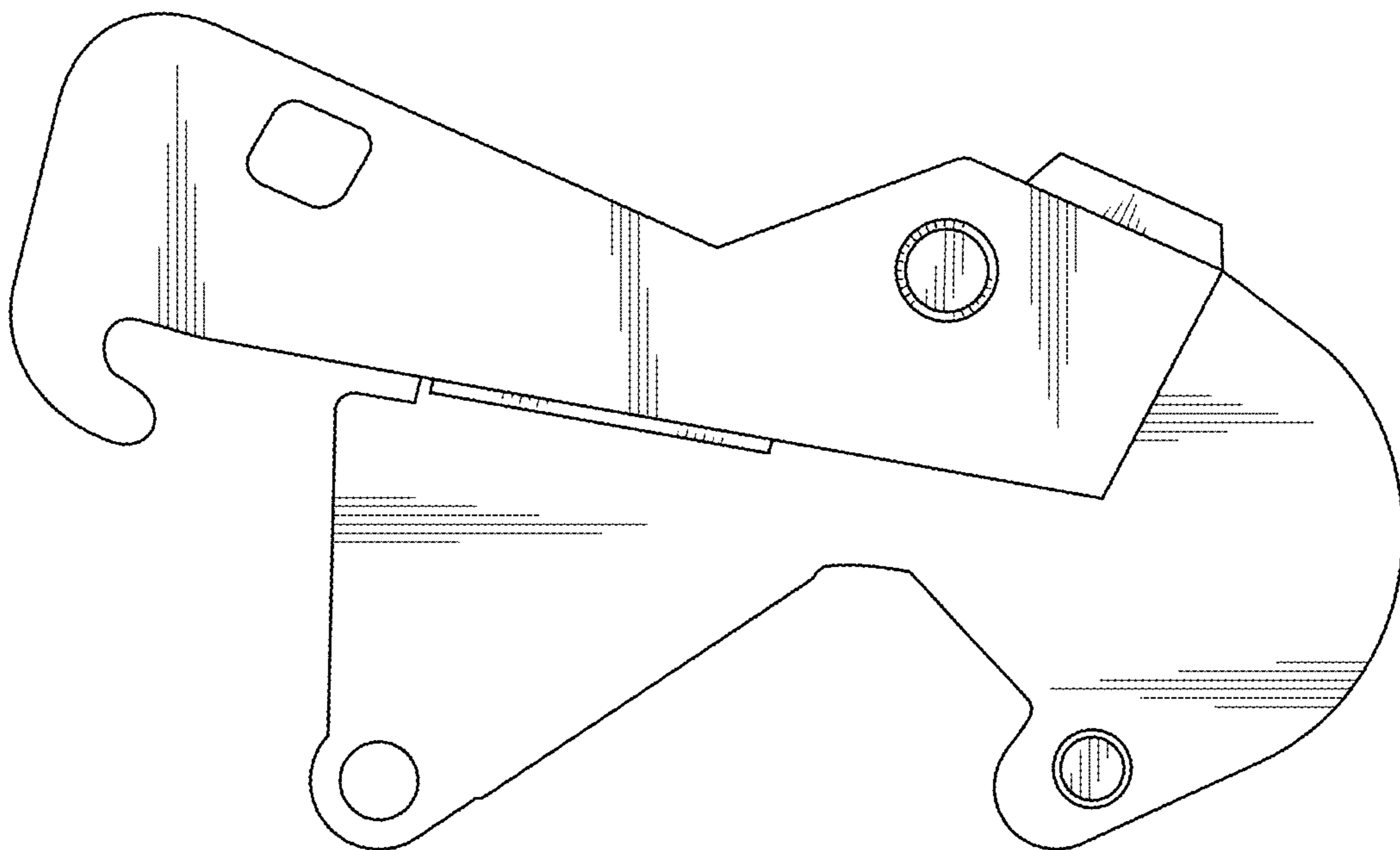


FIG. 7

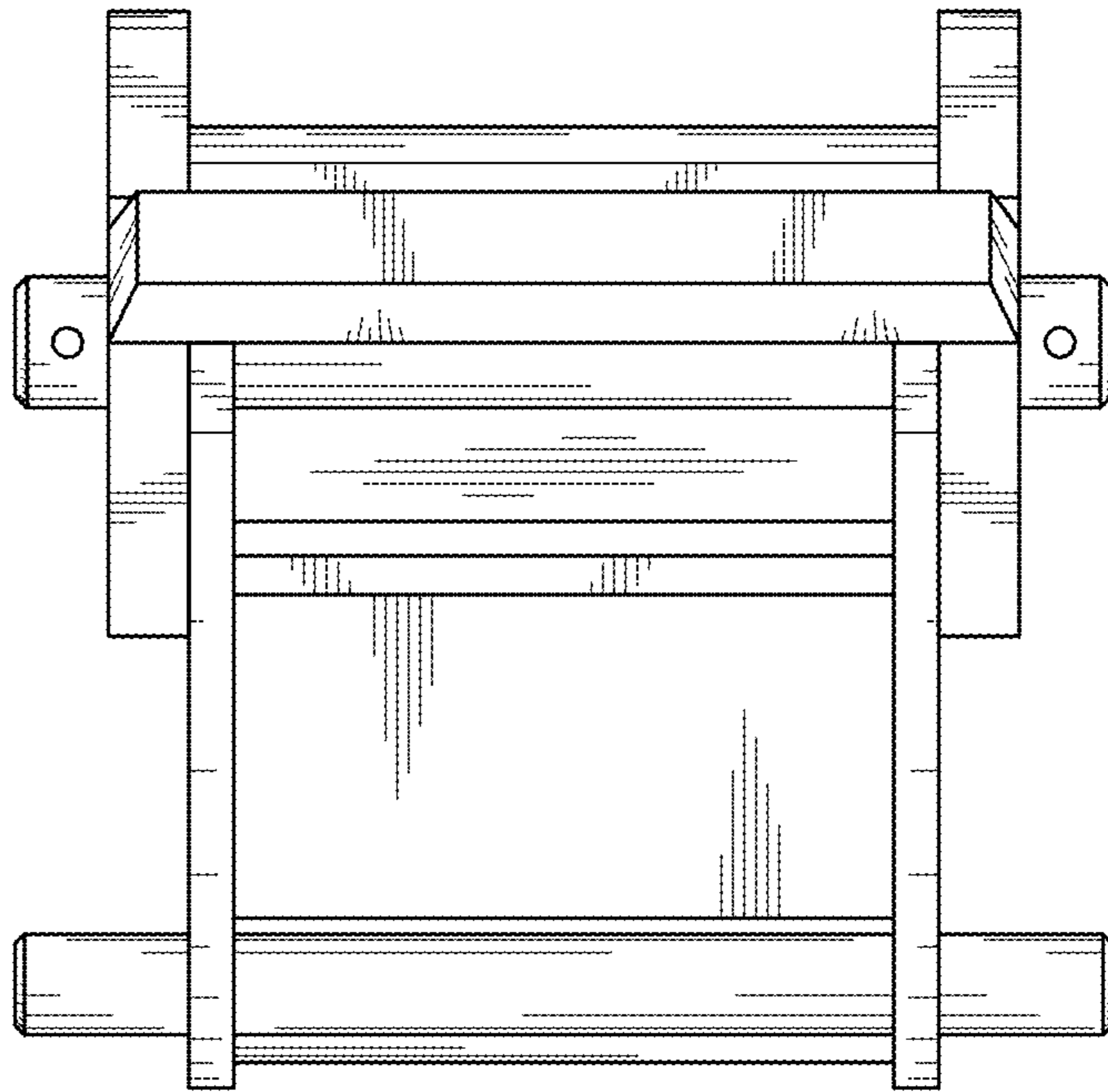


FIG. 8

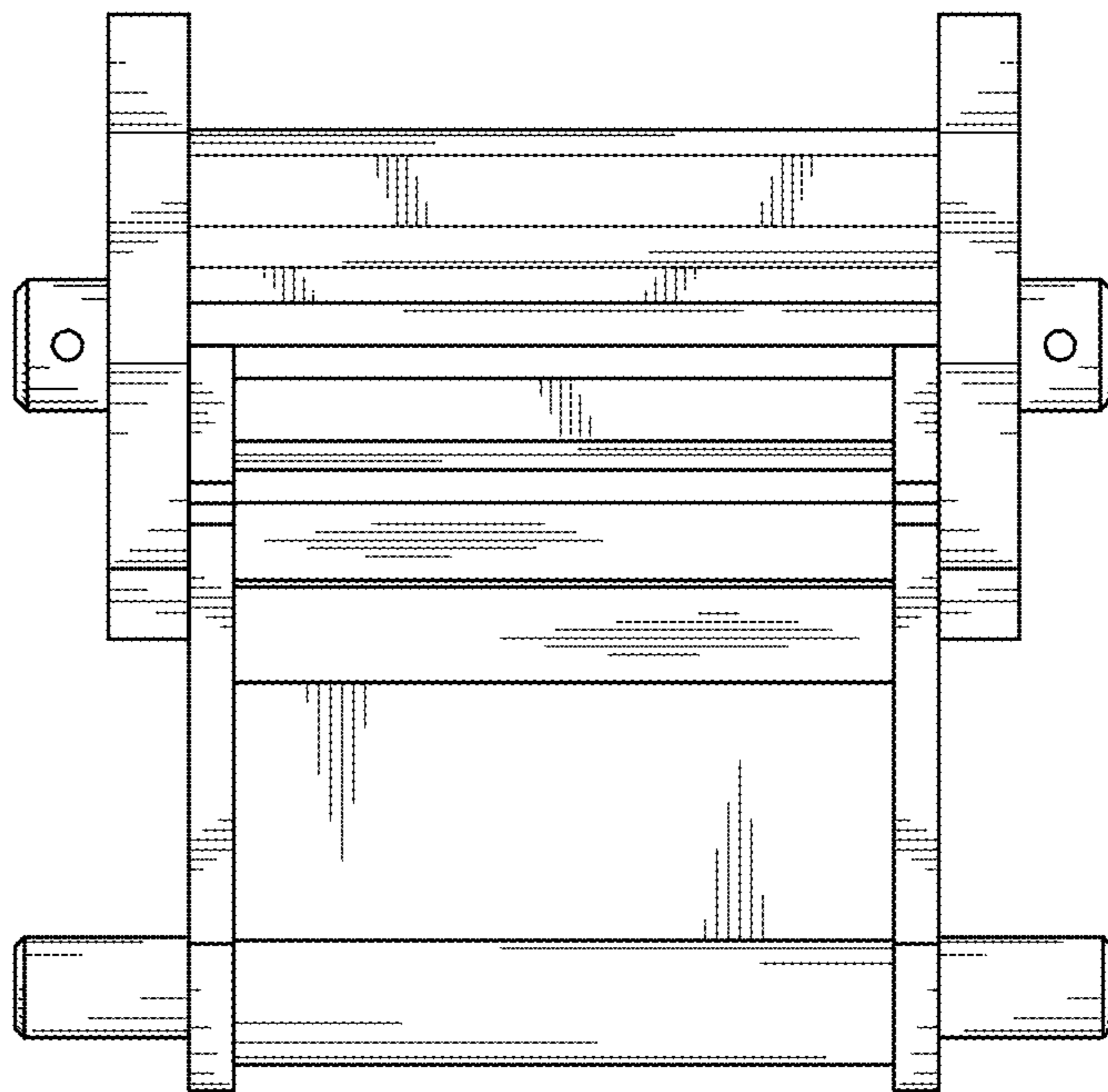


FIG. 9

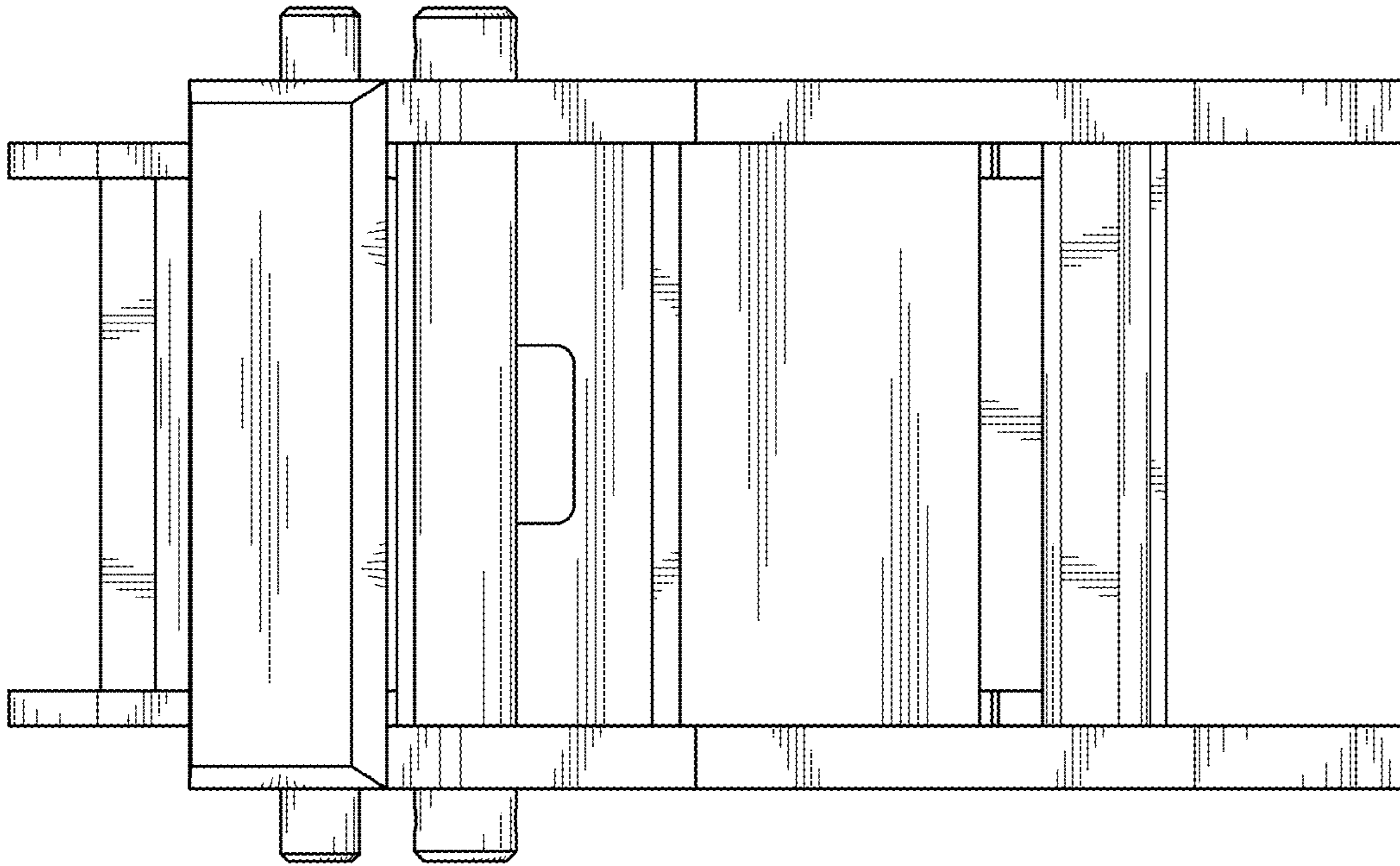


FIG. 10

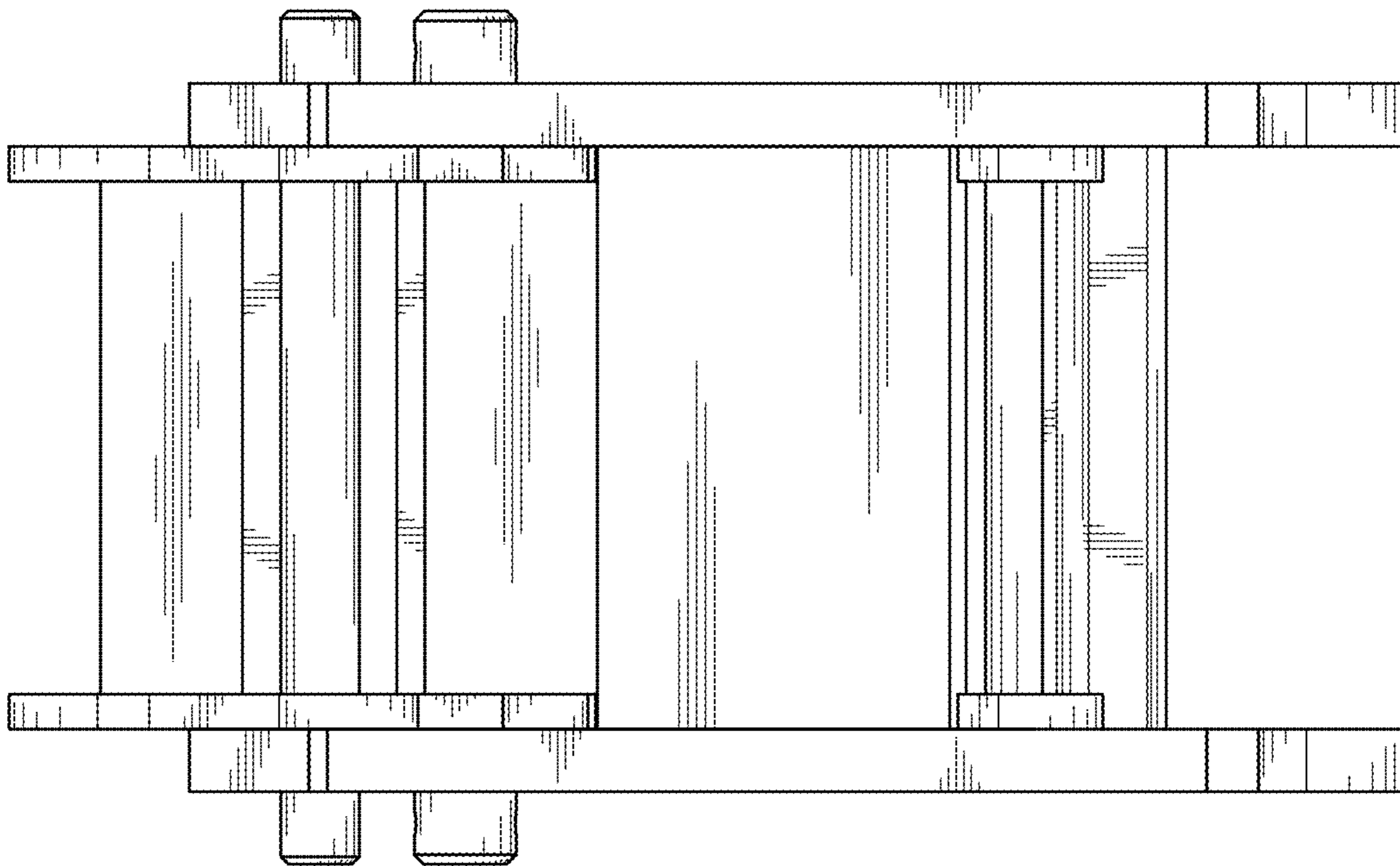


FIG. 11

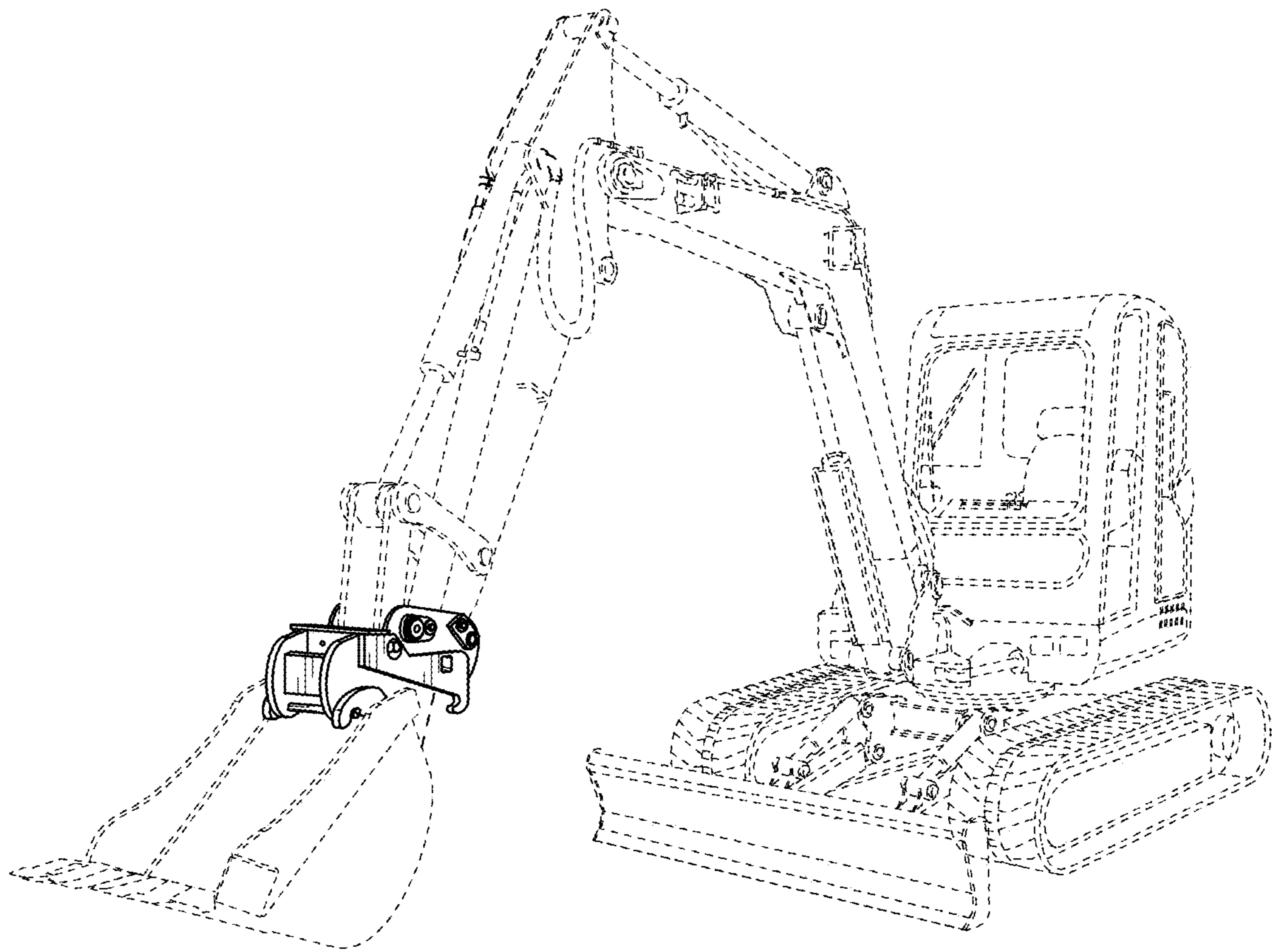


FIG. 12