



US00D983841S

(12) **United States Design Patent**
Chang

(10) **Patent No.:** **US D983,841 S**

(45) **Date of Patent:** **** Apr. 18, 2023**

- (54) **BLADE**
- (71) Applicant: **Chi-Cheng Chang**, Taichung (TW)
- (72) Inventor: **Chi-Cheng Chang**, Taichung (TW)
- (**) Term: **15 Years**
- (21) Appl. No.: **29/796,263**
- (22) Filed: **Jun. 23, 2021**
- (51) **LOC (14) Cl.** **15-03**
- (52) **U.S. Cl.**
USPC **D15/17; D8/20**
- (58) **Field of Classification Search**
USPC D15/14, 17, 28; D8/8, 20, 70, 98
CPC B26D 1/0006; B26D 2001/0053; B26D
2001/0046; B26D 2001/006
See application file for complete search history.

(56) **References Cited**

U.S. PATENT DOCUMENTS

- 3,465,508 A * 9/1969 Edwards A01D 34/73
56/295
- D268,641 S * 4/1983 Bonforte D15/7
- 5,899,053 A * 5/1999 Roth A01D 34/73
56/255
- D440,580 S * 4/2001 Cooper D15/17
- 6,640,449 B1 * 11/2003 Hoffmann A01D 34/73
D8/8
- 7,392,853 B2 * 7/2008 Baran A01D 34/84
172/540

- D662,798 S * 7/2012 Nikkel A01D 34/84
D8/20
- D710,396 S * 8/2014 Nie D15/17
- D743,448 S * 11/2015 Nelson A01D 34/73
D15/17
- D755,858 S * 5/2016 Brown D15/17
- D759,126 S * 6/2016 Johnson A01D 34/736
D15/17
- D767,639 S * 9/2016 Johnson A01D 34/73
D15/17
- 2003/0209000 A1 * 11/2003 Mannon A01D 34/73
56/295
- 2021/0069925 A1 * 3/2021 Chang A01D 34/73

* cited by examiner

Primary Examiner — Philip S Hyder

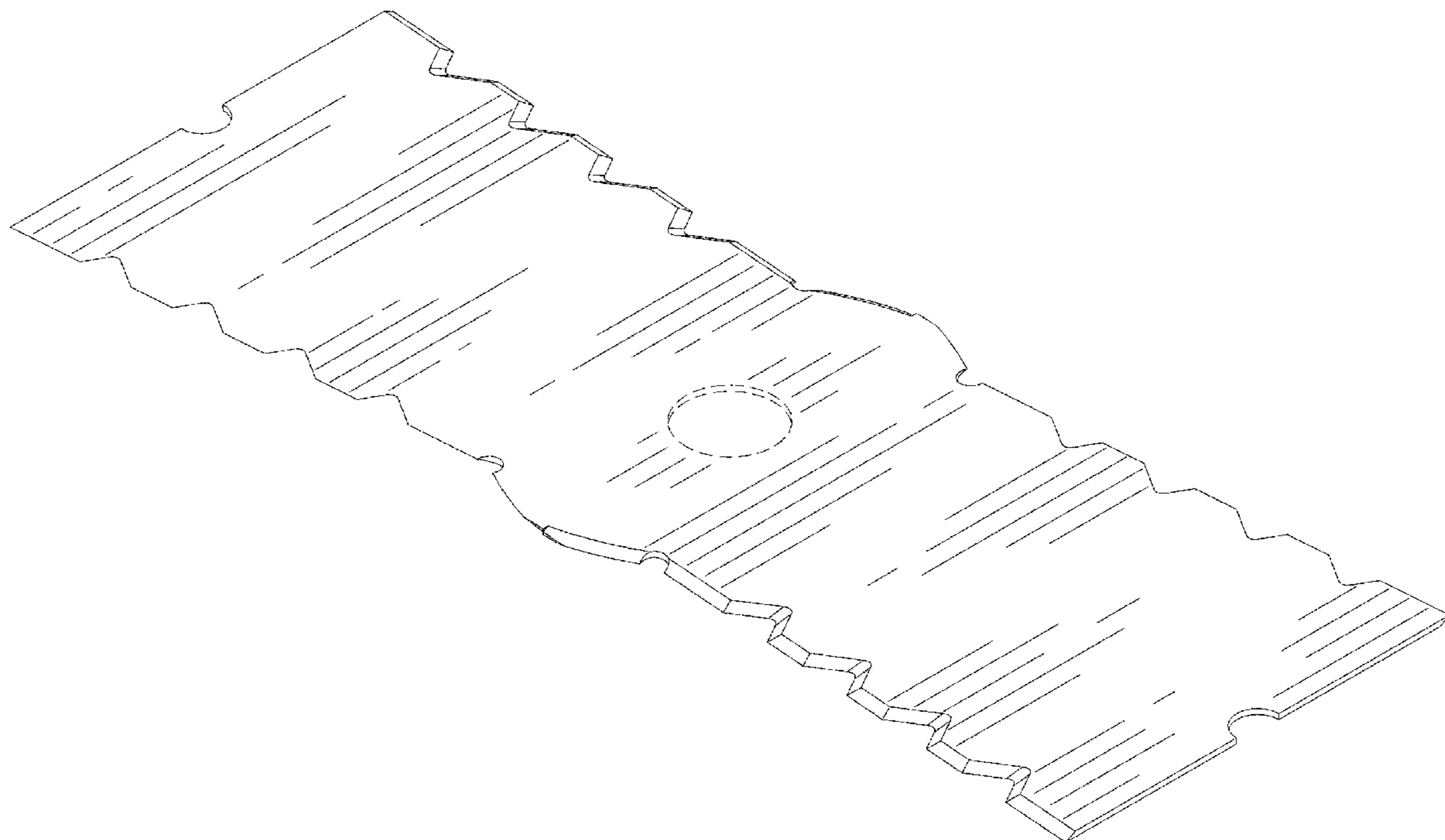
(57) **CLAIM**

The ornamental design for a blade, as shown and described.

DESCRIPTION

FIG. 1 is a top, front, right side perspective view of a blade showing my new design;
 FIG. 2 is a front elevation view thereof, the rear elevation view being a mirror image of the front elevation view;
 FIG. 3 is an enlarged right side elevation view thereof, the left side elevation view being a mirror image of the enlarged right side elevation view; and,
 FIG. 4 is a top plan view thereof, the bottom plan view being a mirror image of the top plan view.
 The broken lines in the drawings illustrate portions of the blade that form no part of the claimed design.

1 Claim, 4 Drawing Sheets



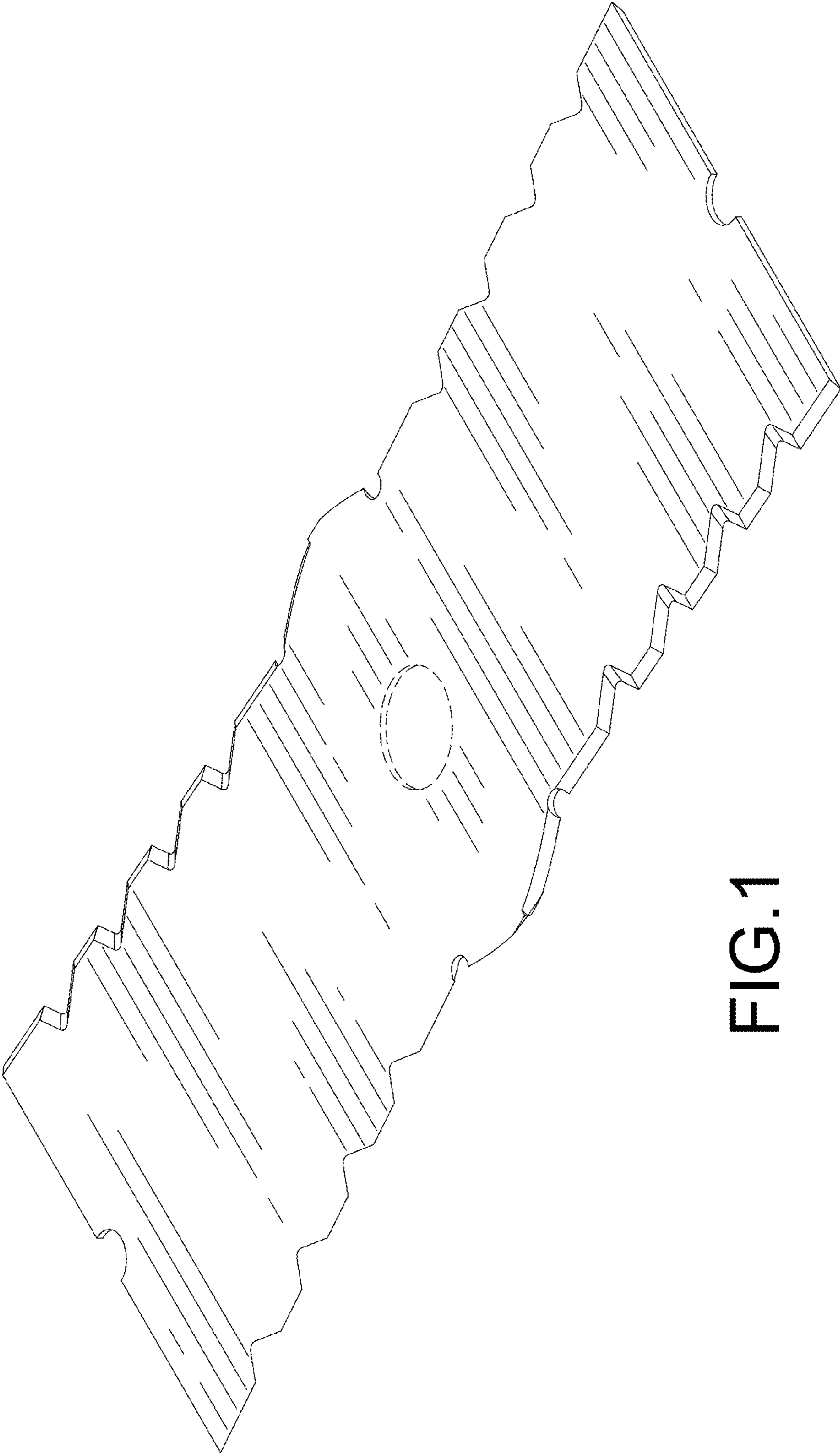


FIG.1

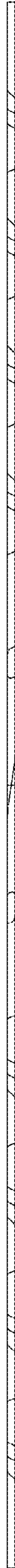


FIG. 2

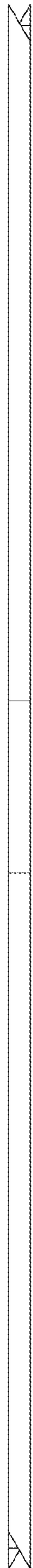


FIG.3

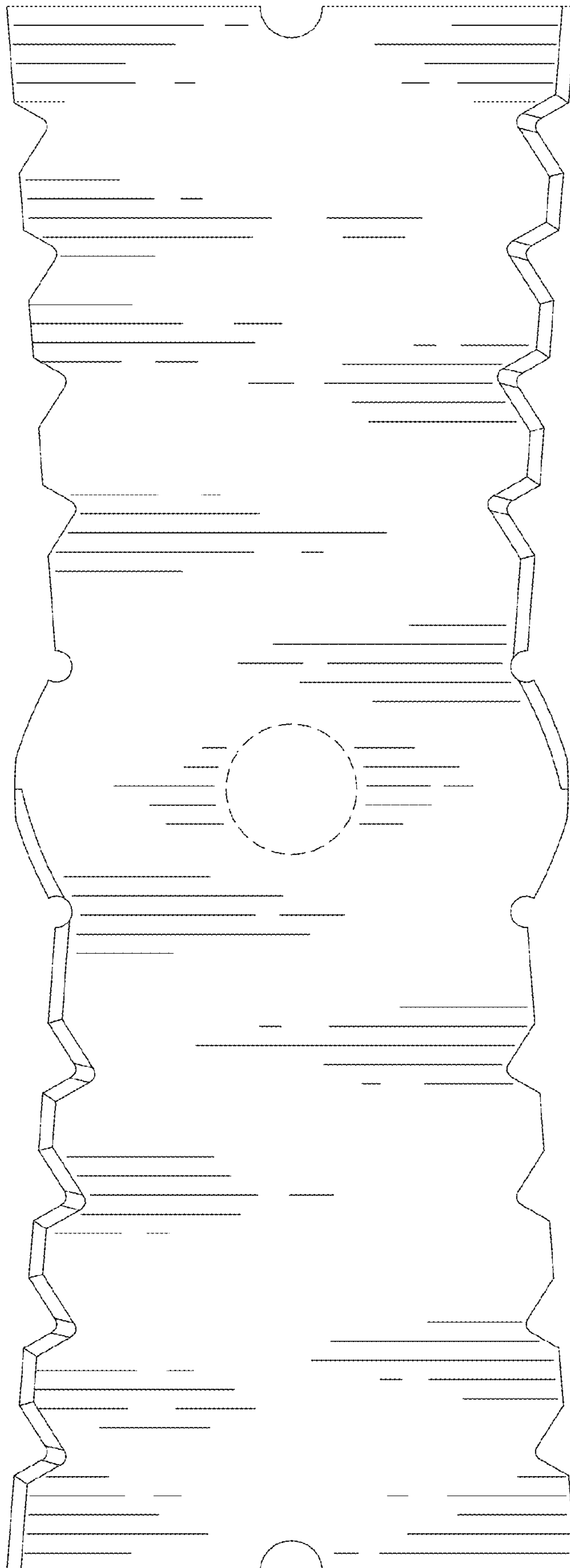


FIG.4