



US00D983839S

(12) **United States Design Patent**
Chen

(10) **Patent No.:** **US D983,839 S**

(45) **Date of Patent:** **** Apr. 18, 2023**

- (54) **INFLATOR CONTROLLER**
- (71) Applicant: **TIMOTION TECHNOLOGY CO., LTD.**, New Taipei (TW)
- (72) Inventor: **Yi-Chun Chen**, New Taipei (TW)
- (73) Assignee: **TIMOTION TECHNOLOGY CO., LTD.**, New Taipei (TW)
- (**) Term: **15 Years**
- (21) Appl. No.: **29/812,495**
- (22) Filed: **Oct. 21, 2021**
- (51) **LOC (14) Cl.** **15-02**
- (52) **U.S. Cl.**
USPC **D15/7**
- (58) **Field of Classification Search**
USPC D15/5, 7, 9; D24/127, 129, 164, 183,
D24/184, 185
CPC .. A62B 9/00; A62B 27/00; A62B 7/00; A62B
7/02; A61H 15/00
See application file for complete search history.

- D702,644 S * 4/2014 Tseng D13/147
- 9,070,957 B2 * 6/2015 Wu F16H 25/24
- D783,537 S * 4/2017 Skov D13/147
- D874,625 S * 2/2020 Takahashi F16H 25/24
D23/354
- D875,227 S * 2/2020 Takahashi D23/354
- D927,681 S * 8/2021 Shen D24/110

* cited by examiner

Primary Examiner — Calvin E Vansant

Assistant Examiner — Eidiol Ghigliotty Torre

(74) *Attorney, Agent, or Firm* — Chun-Ming Shih; HDLS IPR Services

(57) **CLAIM**

The ornamental design for an inflator controller, as shown and described.

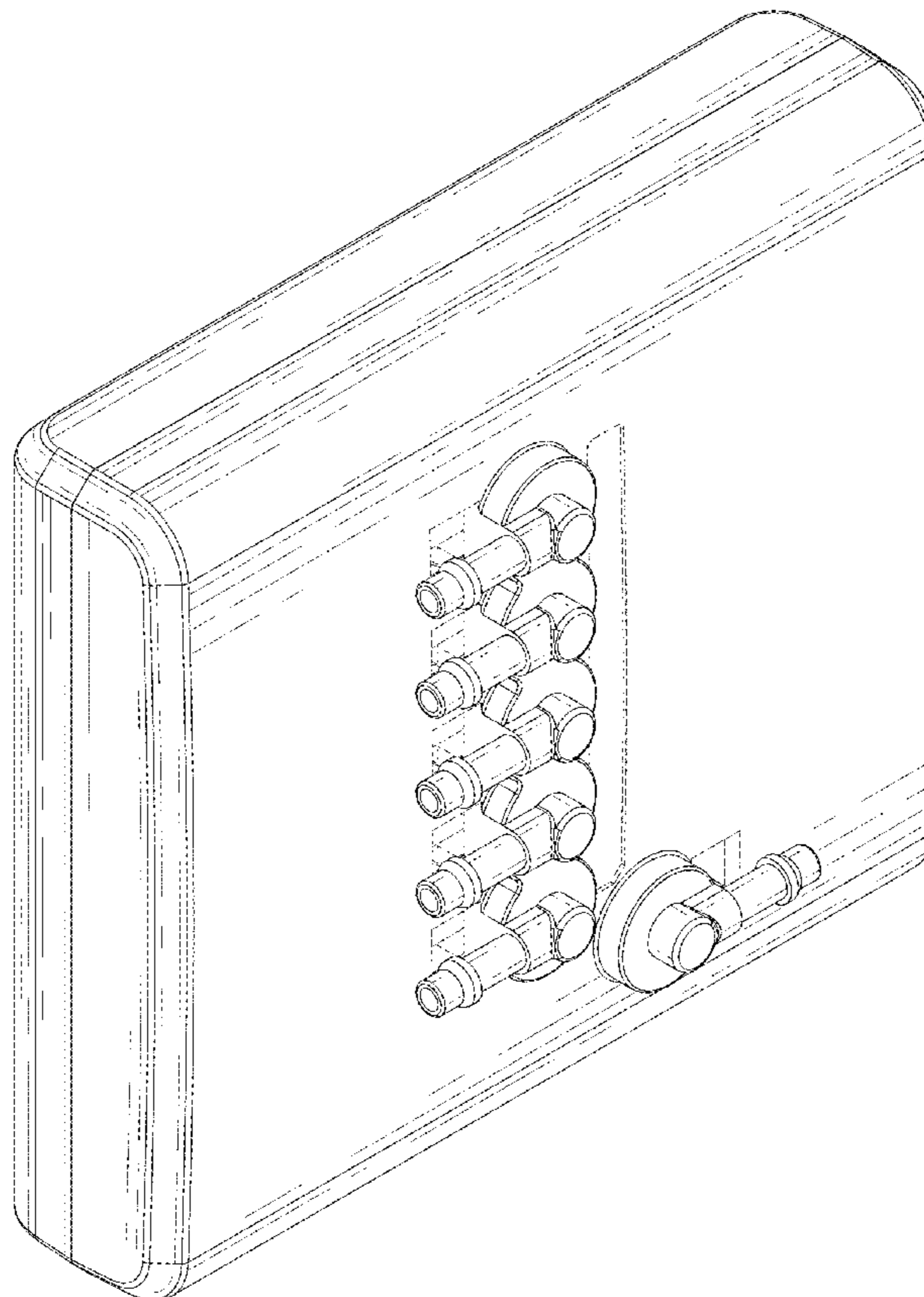
DESCRIPTION

FIG. 1 is a perspective view of an inflator controller showing my new design;
 FIG. 2 is a front view thereof;
 FIG. 3 is a rear view thereof;
 FIG. 4 is a left side view thereof;
 FIG. 5 is a right side view thereof;
 FIG. 6 is a top view thereof;
 FIG. 7 is a bottom view thereof; and,
 FIG. 8 is a second perspective view thereof.
 The broken lines in the drawings illustrate portions of the inflator controller that form no part of the claimed design.

(56) **References Cited**
 U.S. PATENT DOCUMENTS

- D660,798 S * 5/2012 Tseng D13/110
- D700,581 S * 3/2014 Shimamoto D13/147
- D700,896 S * 3/2014 Shimamoto D13/159

1 Claim, 8 Drawing Sheets



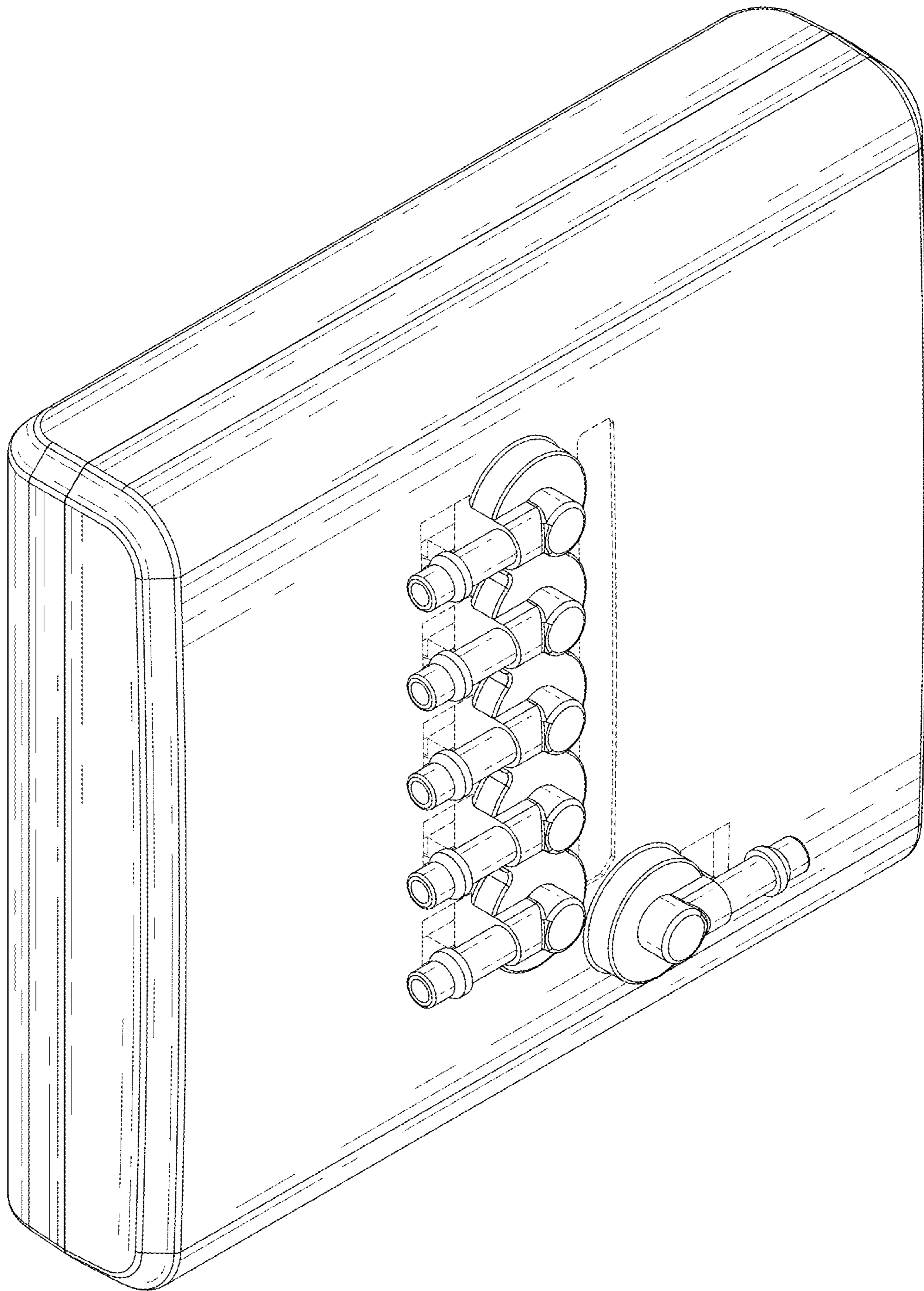


FIG.1

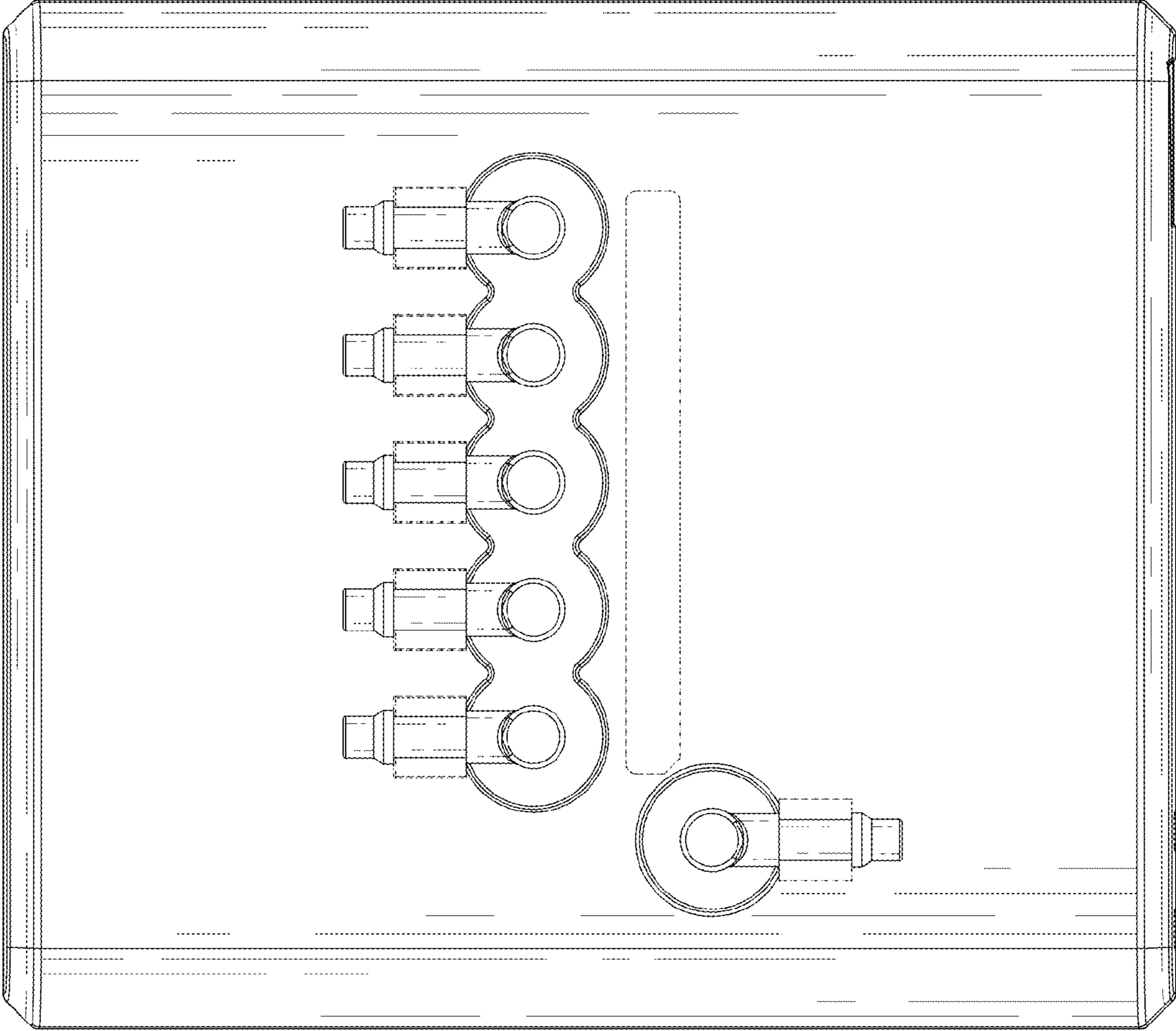


FIG.2

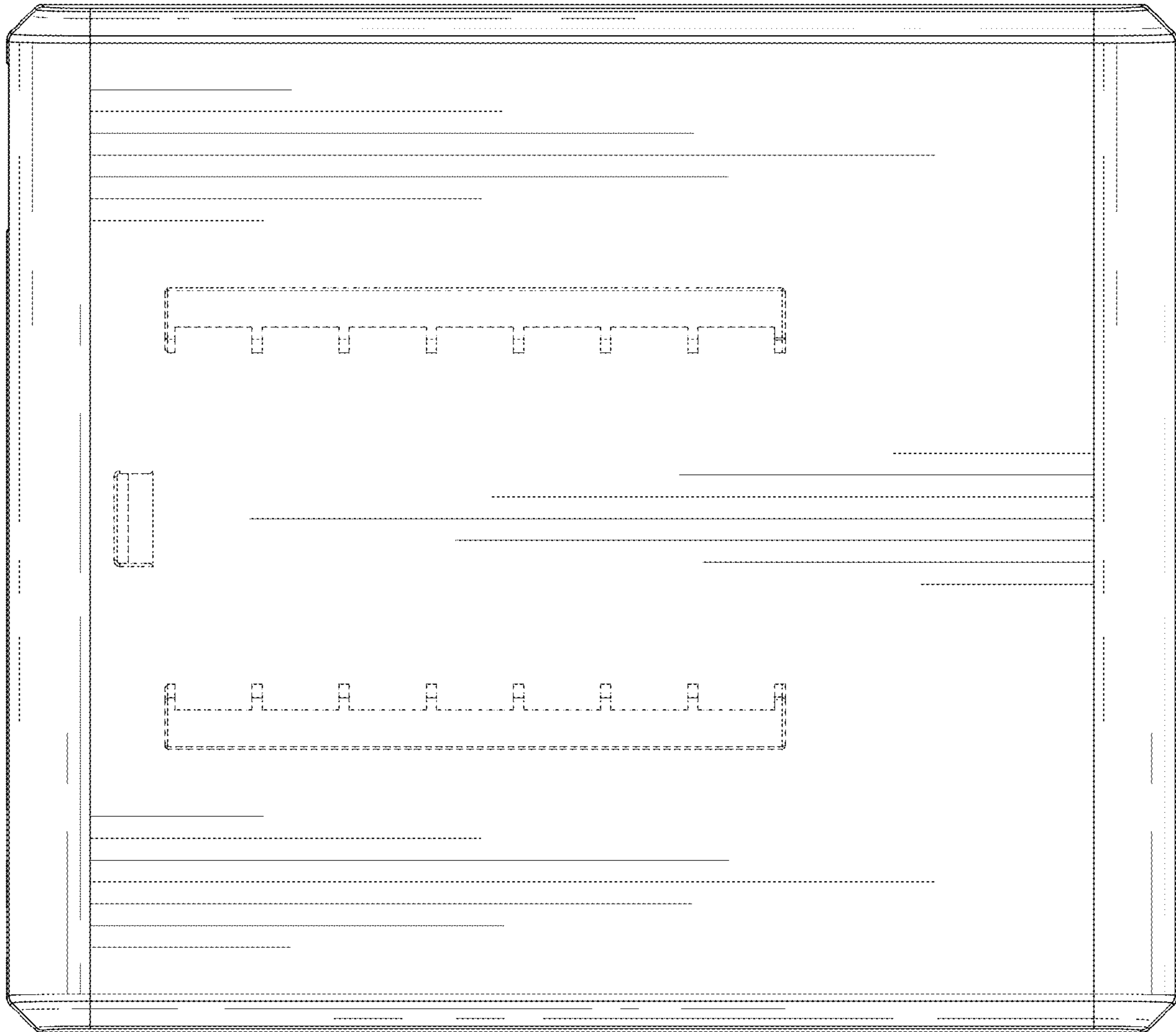


FIG.3

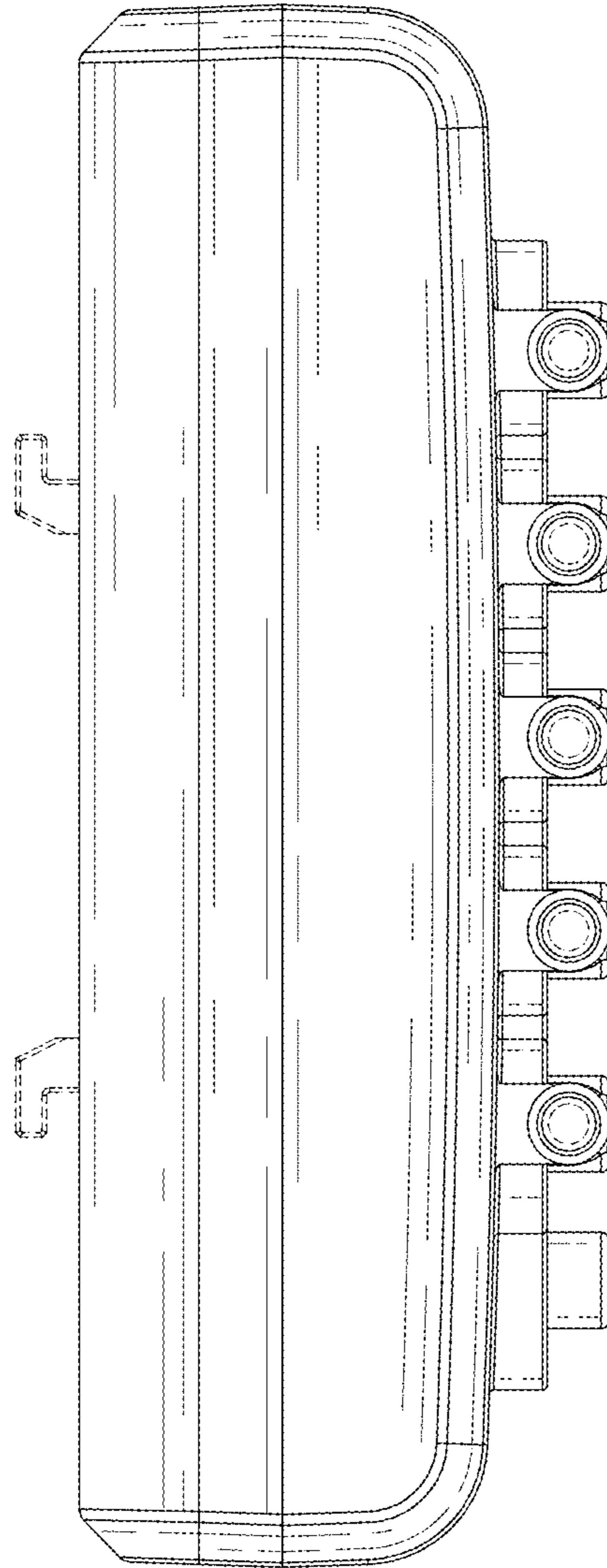


FIG.4

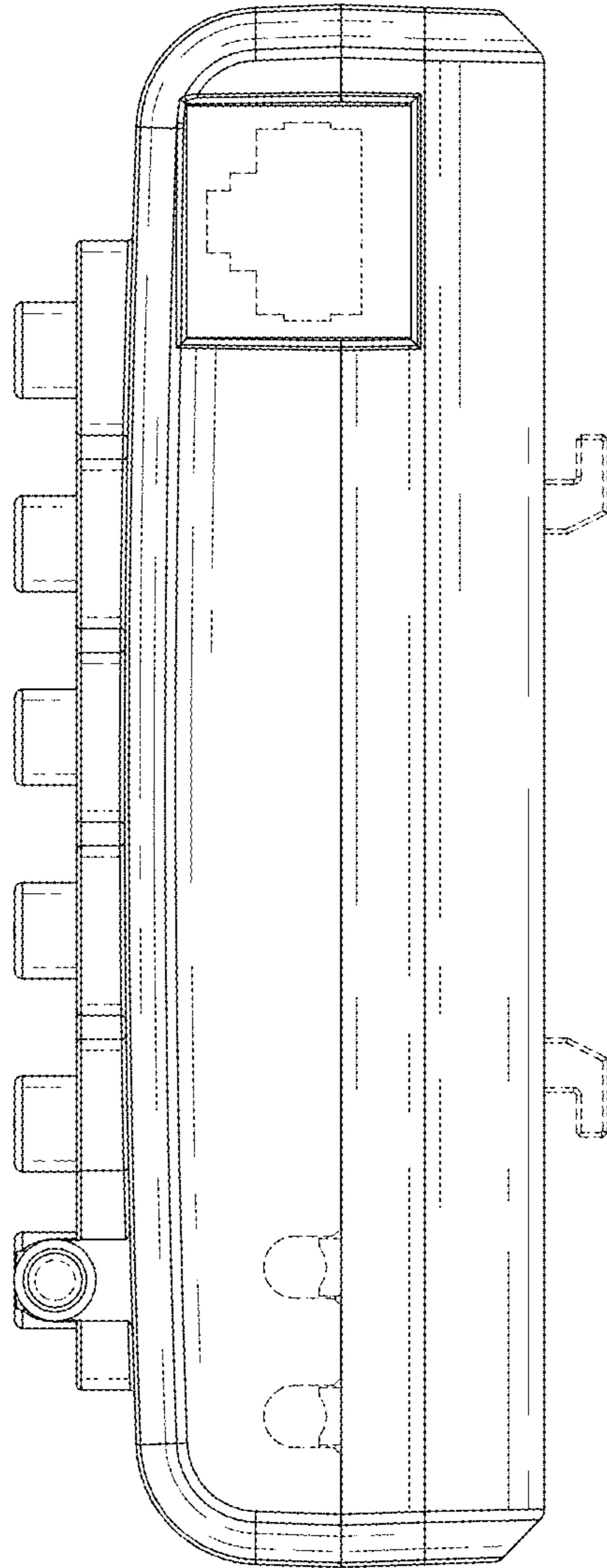


FIG.5

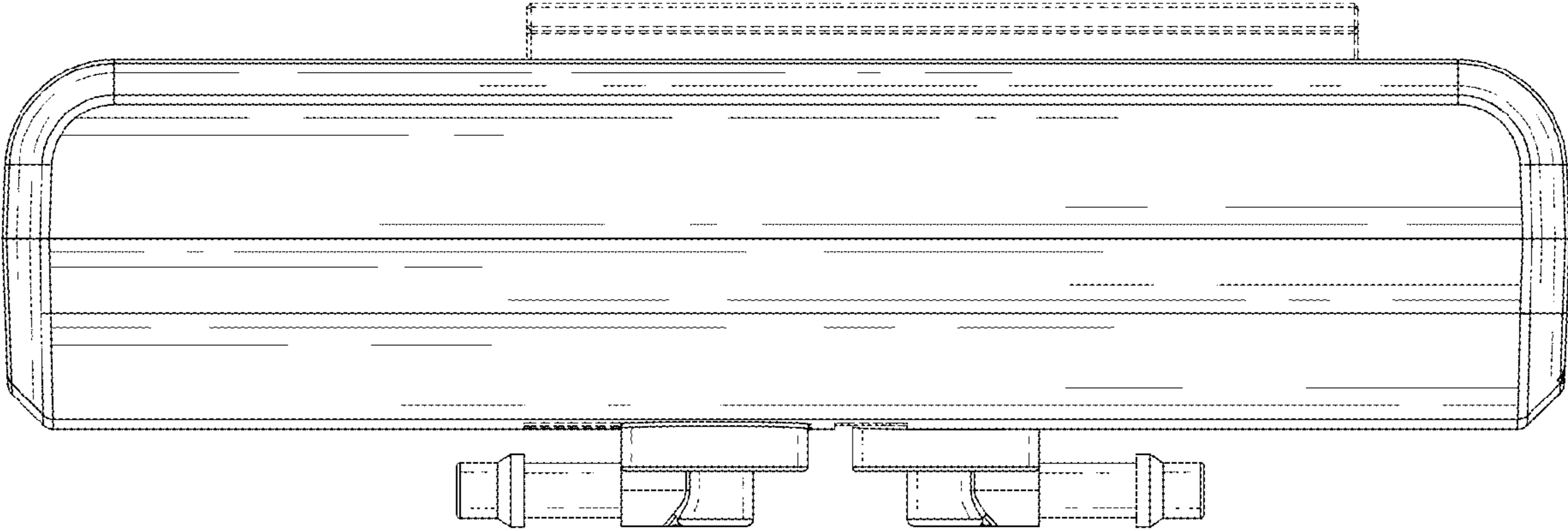


FIG.6

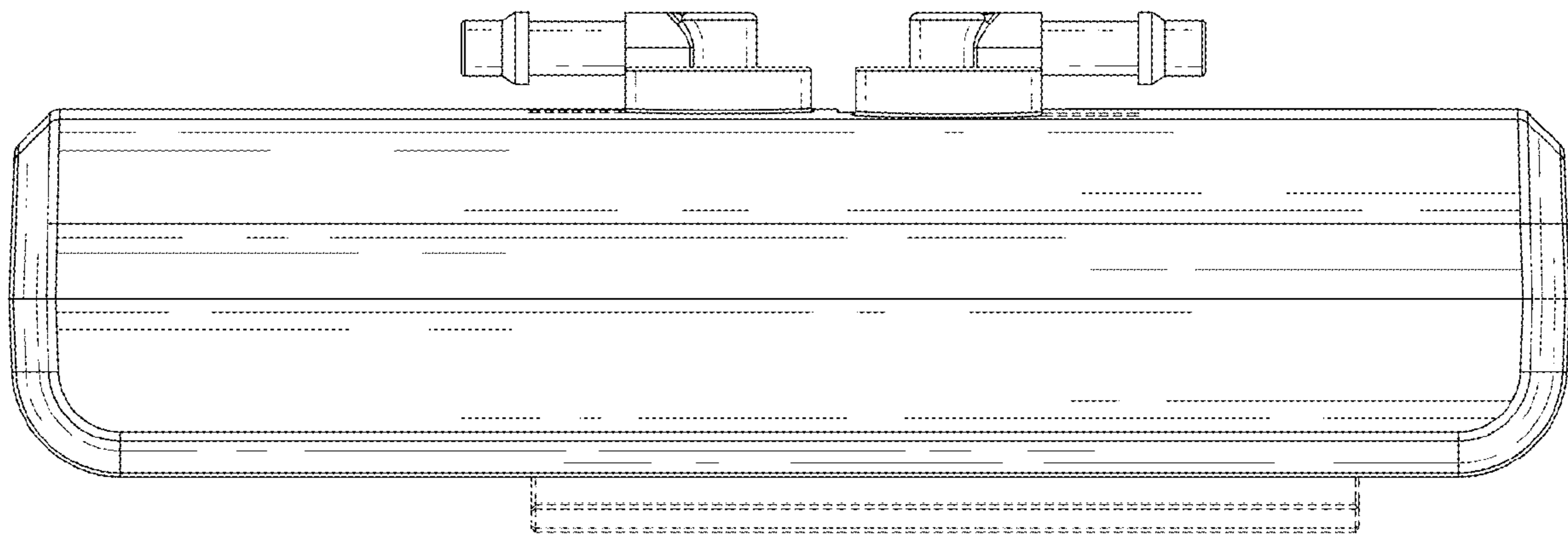


FIG.7

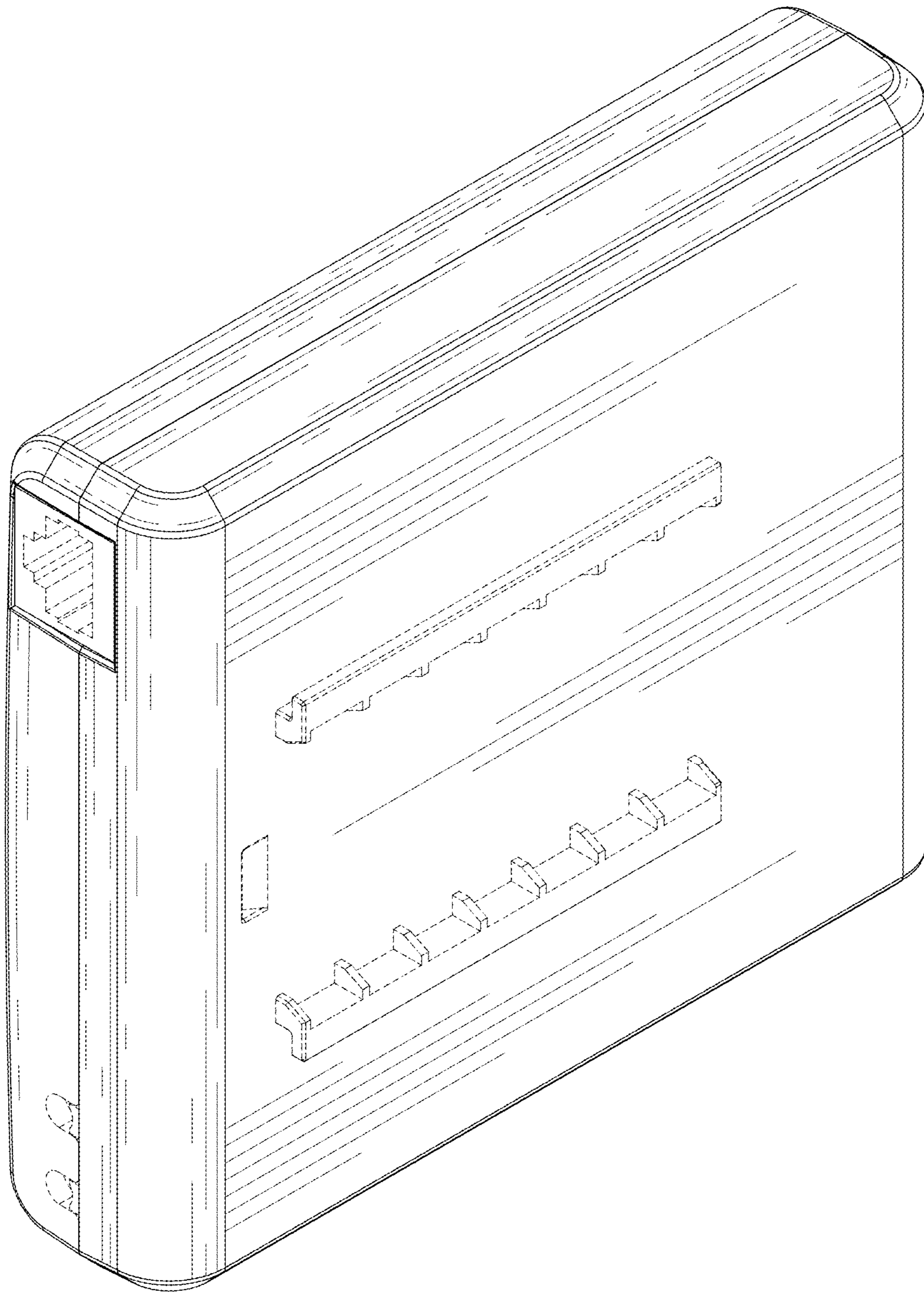


FIG.8