



US00D983804S

(12) **United States Design Patent**  
**Li**

(10) **Patent No.:** **US D983,804 S**

(45) **Date of Patent:** **\*\* Apr. 18, 2023**

(54) **LAPTOP STAND**

(71) Applicant: **Jiuzhen Li**, Fuyang (CN)

(72) Inventor: **Jiuzhen Li**, Fuyang (CN)

(73) Assignee: **SHENZHEN JINCHENGWEI  
HARDWARE CO., LTD.**, Shenzhen  
(CN)

(\*\*) Term: **15 Years**

(21) Appl. No.: **29/821,186**

(22) Filed: **Dec. 28, 2021**

(51) **LOC (14) Cl.** ..... **14-02**

(52) **U.S. Cl.**  
USPC ..... **D14/447**

(58) **Field of Classification Search**  
USPC ..... D14/250–251, 253, 440, 344, 439;  
D10/30, 43  
CPC ... H04B 1/3888; B32B 38/1841; B32B 37/26;  
F16M 11/10; H04M 1/04  
See application file for complete search history.

(56) **References Cited**

**U.S. PATENT DOCUMENTS**

8,056,871	B2 *	11/2011	Matias	.....	F16M 11/10 248/176.1
D669,890	S *	10/2012	Hopkins	.....	D14/251
D674,803	S *	1/2013	Westrup	.....	A45C 3/02 D14/440
D678,886	S *	3/2013	Heckler	.....	D14/447
D689,502	S *	9/2013	Belitz	.....	D14/447
D695,748	S *	12/2013	Morris	.....	D14/447
D704,194	S *	5/2014	Young	.....	D14/440
D717,804	S *	11/2014	Budge	.....	D14/447
D719,144	S *	12/2014	Eulette	.....	D14/250
D724,598	S *	3/2015	Gelsomini	.....	D14/447
D824,392	S *	7/2018	Charlesworth	.....	D14/440

D828,359	S *	9/2018	Burmester	.....	D14/440
D834,029	S *	11/2018	Wengreen	.....	D14/447
D847,789	S *	5/2019	Virhiä	.....	D14/217
D848,435	S *	5/2019	Moore	.....	D14/440
D857,698	S *	8/2019	Hu	.....	D14/447
D908,788	S *	1/2021	Leewe	.....	D14/217
D914,028	S *	3/2021	Lyu	.....	
D931,286	S *	9/2021	Tur	.....	D14/440
D944,807	S *	3/2022	Luo	.....	D14/447
D947,200	S *	3/2022	Yang	.....	D14/447

**FOREIGN PATENT DOCUMENTS**

GB 6136762 \* 5/2021

**OTHER PUBLICATIONS**

Insignia Laptop stand, Best Buy website 2022, site visited Dec. 3, 2022, [https://www.bestbuy.com/site/insignia-ergonomic-laptop-stand-silver/6423847.p?skuId.\\*](https://www.bestbuy.com/site/insignia-ergonomic-laptop-stand-silver/6423847.p?skuId.*)

\* cited by examiner

*Primary Examiner* — John R Yeh  
(74) *Attorney, Agent, or Firm* — Justin Lampel

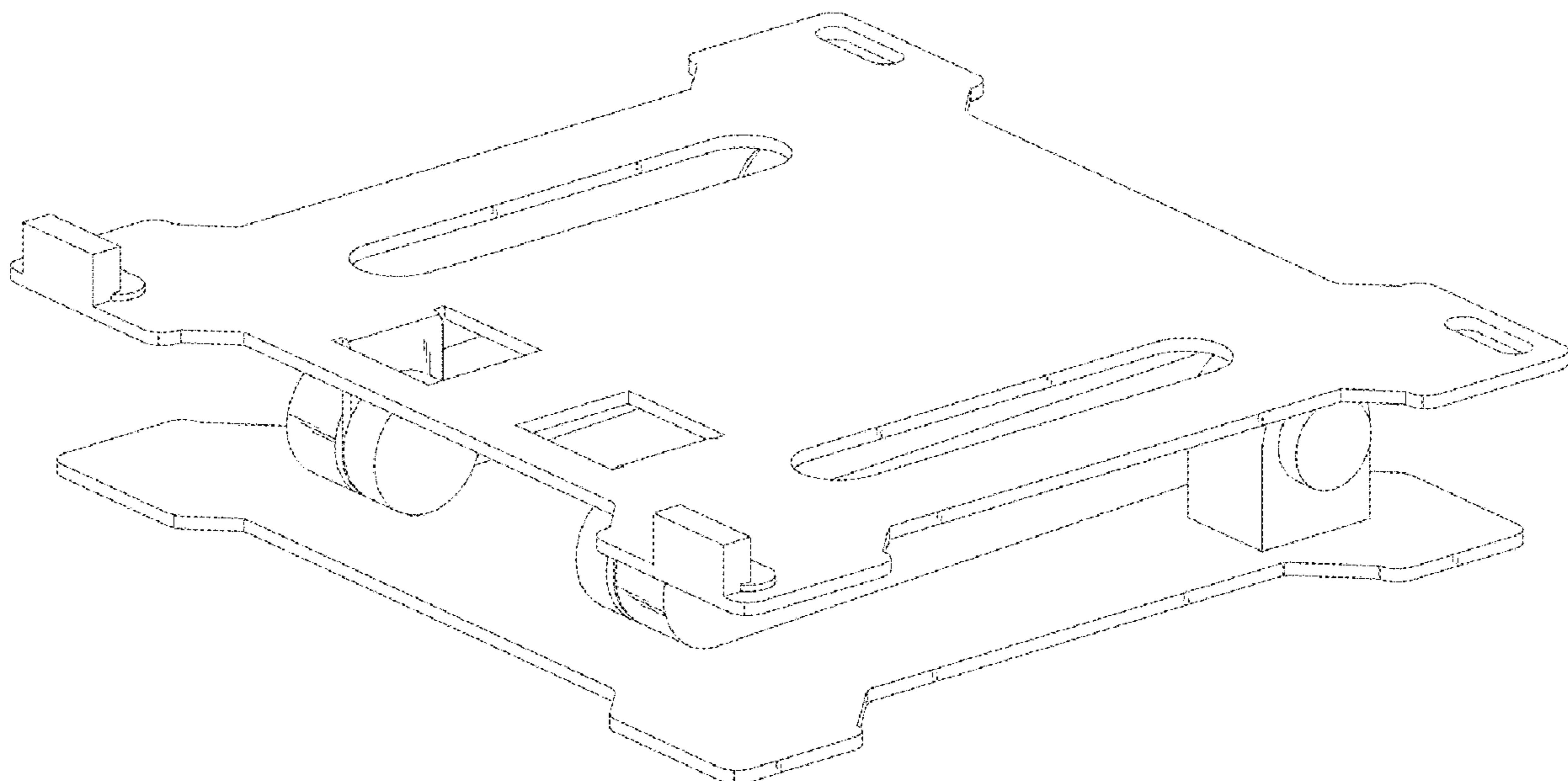
(57) **CLAIM**

The ornamental design for a laptop stand, as shown and described.

**DESCRIPTION**

FIG. 1 is a perspective view of a laptop stand showing my new design;  
FIG. 2 is a top plan view thereof;  
FIG. 3 is a rear elevational view thereof;  
FIG. 4 is a left side view thereof;  
FIG. 5 is a front elevational view thereof;  
FIG. 6 is a right side view thereof; and,  
FIG. 7 is a bottom plan view thereof.

**1 Claim, 7 Drawing Sheets**



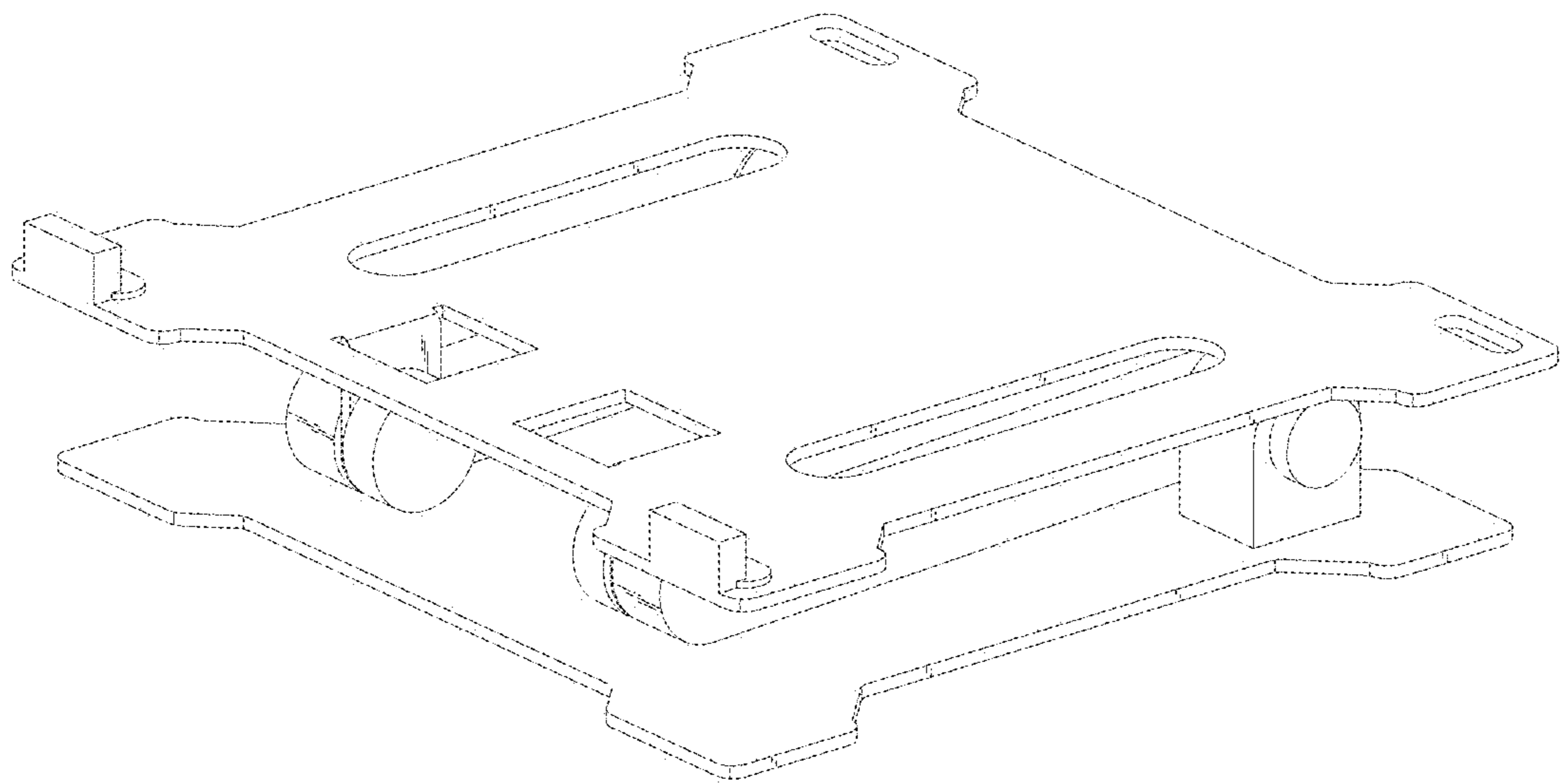


FIG.1

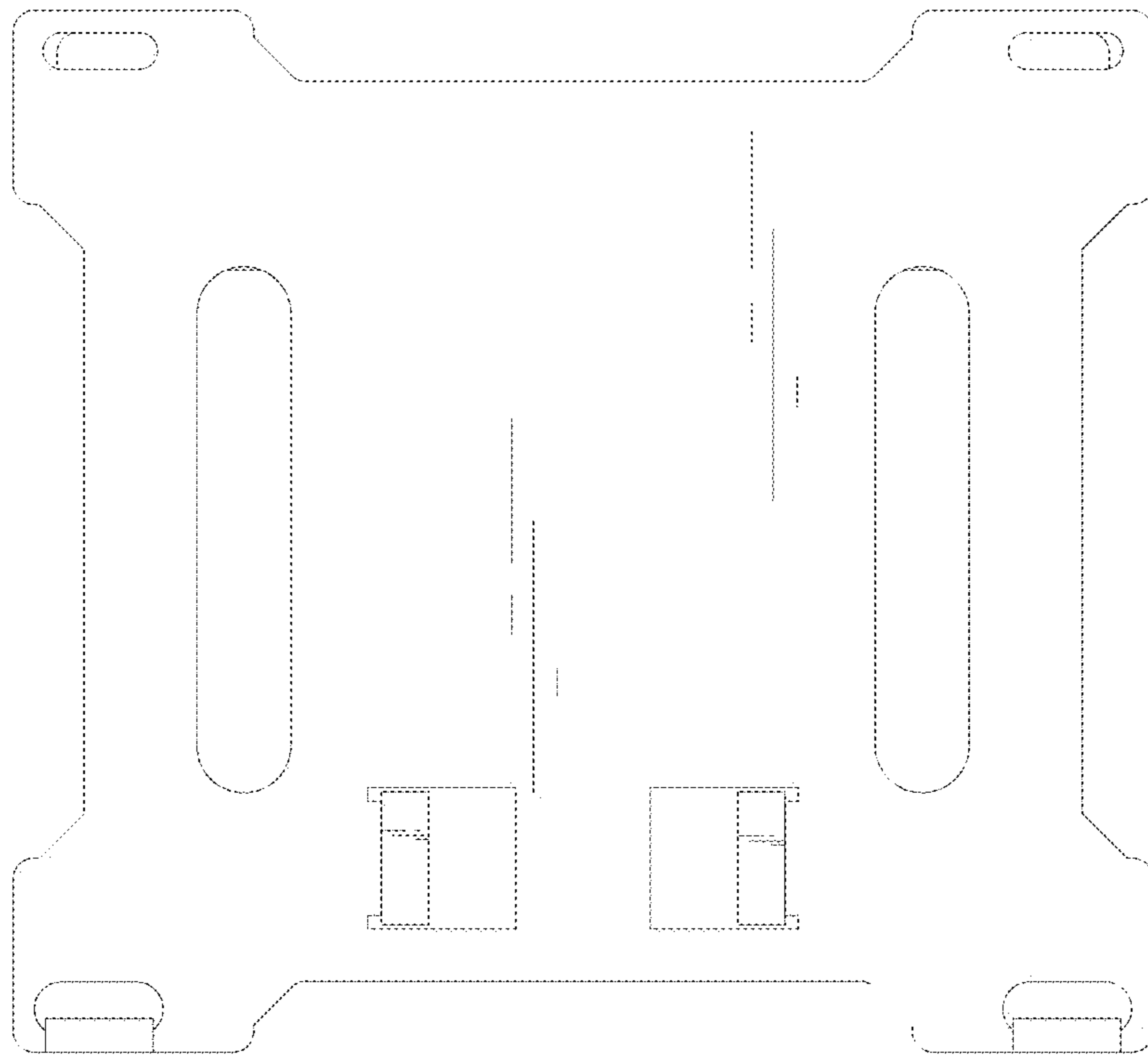


FIG. 2

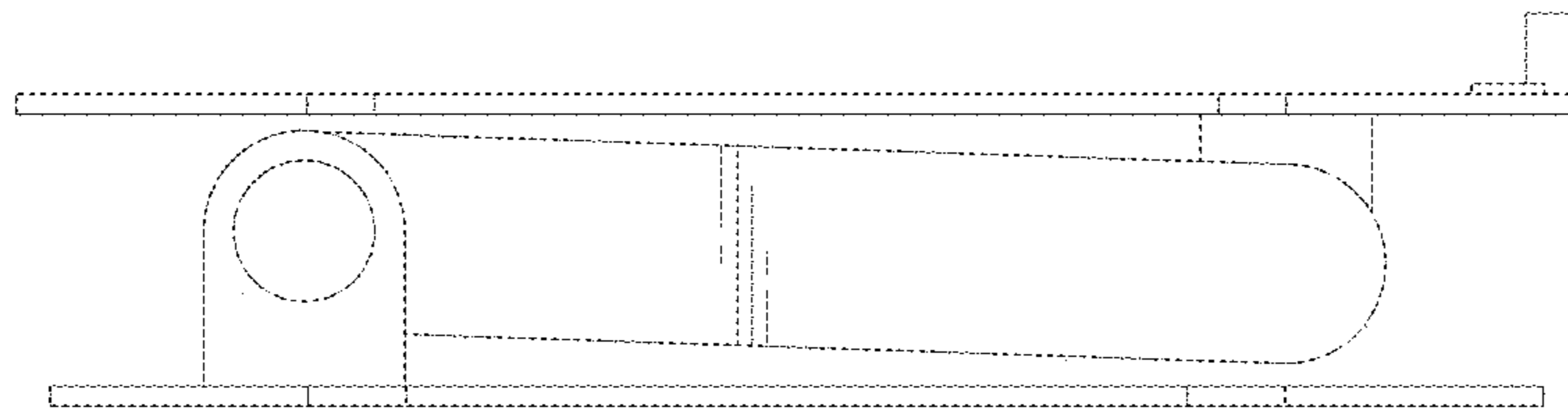


FIG. 3

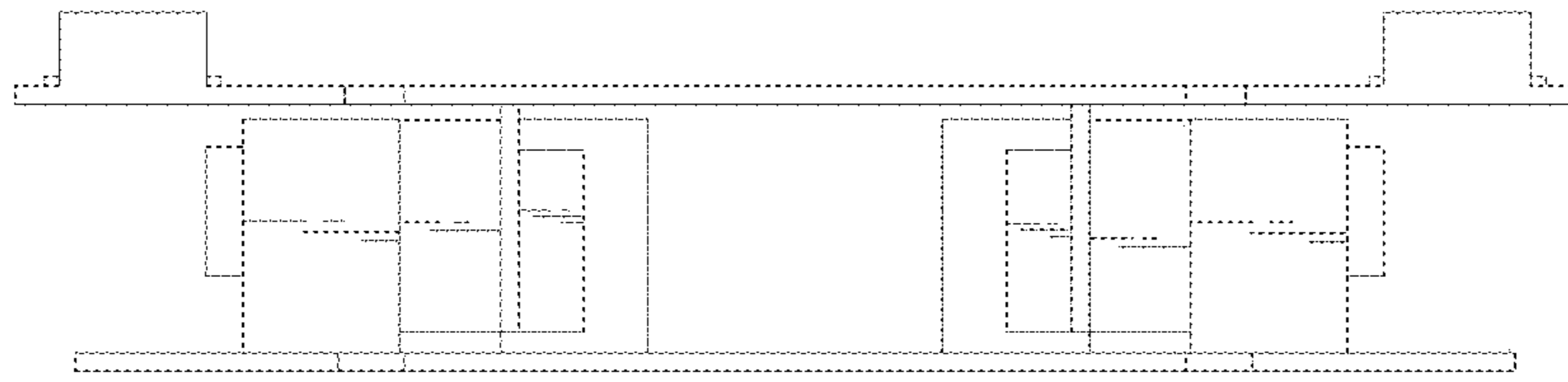


FIG. 4

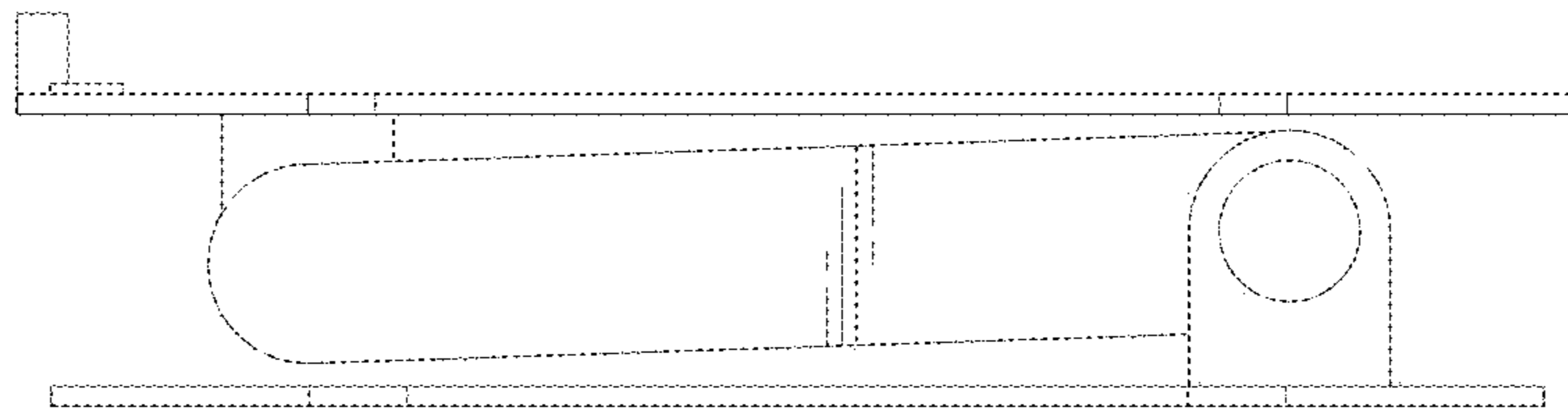


FIG. 5

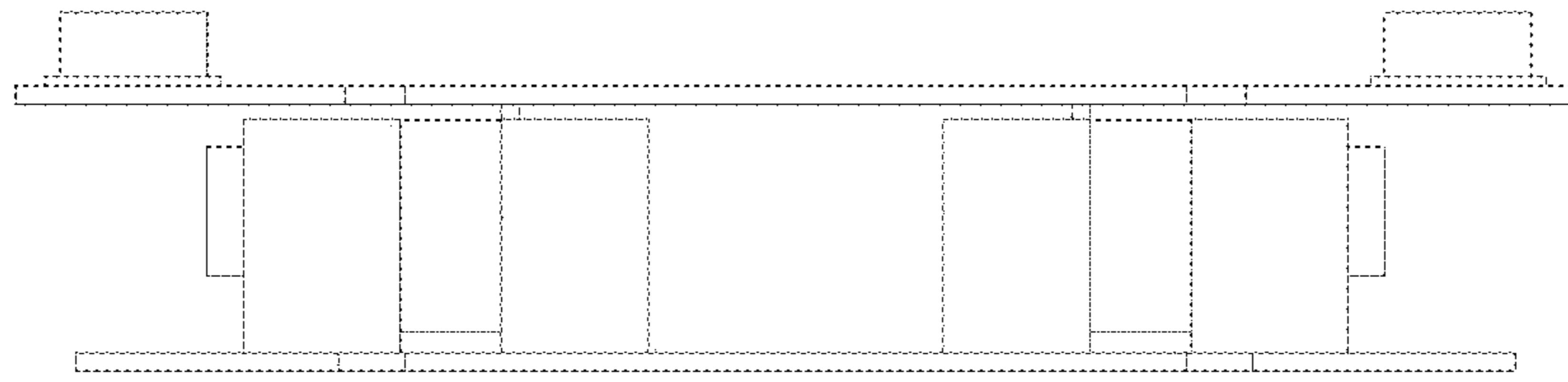


FIG.6

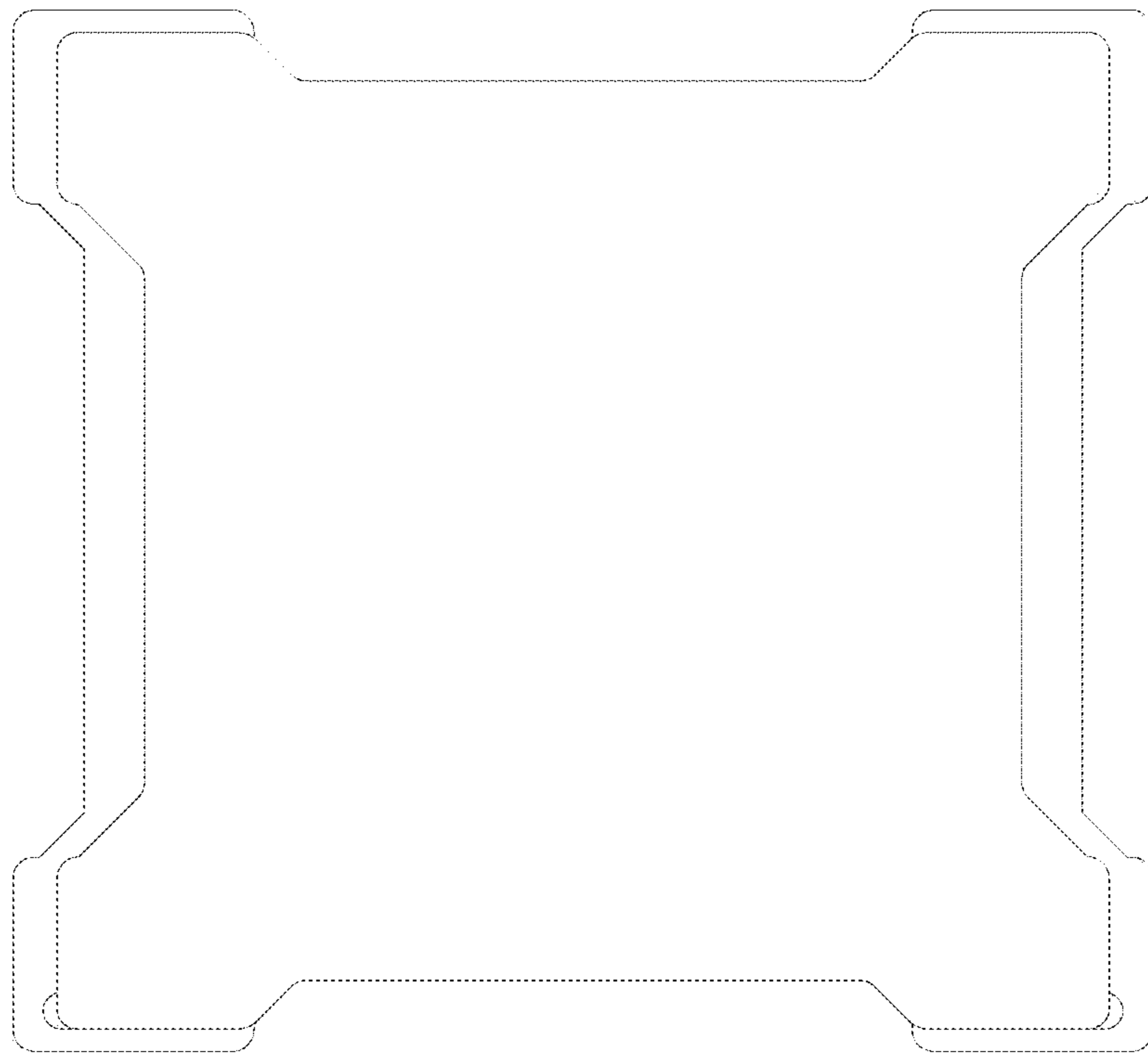


FIG. 7