



US00D983803S

(12) **United States Design Patent**
Li

(10) **Patent No.:** **US D983,803 S**
(45) **Date of Patent:** **** Apr. 18, 2023**

(54) **TABLET CASE**
(71) Applicant: **SHENZHEN JINCHANNEL INNOVATION TECHNOLOGY CO., LTD.**, Shenzhen (CN)
(72) Inventor: **Enqun Li**, Shenzhen (CN)
(73) Assignee: **SHENZHEN JINCHANNEL INNOVATION TECHNOLOGY CO., LLD.**, Shenzhen (CN)
(**) Term: **15 Years**

D671,948 S * 12/2012 Akana D14/440
D672,353 S * 12/2012 Liu D14/440
D672,781 S * 12/2012 Lu D14/440
D678,260 S * 3/2013 Bau D14/132
D679,279 S * 4/2013 Yang D14/440
D679,715 S * 4/2013 Akana D14/440
8,424,830 B2 * 4/2013 Yang A47B 23/044
248/459
D681,641 S * 5/2013 Van Den Nieuwenhuizen
D14/440
D682,836 S * 5/2013 Akana D14/440
D682,838 S * 5/2013 Akana D14/440
D687,438 S * 8/2013 Lu D14/440
D690,305 S * 9/2013 Wen D14/440
D690,702 S * 10/2013 Chung D14/440

(Continued)

(21) Appl. No.: **29/862,958**
(22) Filed: **Dec. 14, 2022**
(51) **LOC (14) Cl.** **14-02**
(52) **U.S. Cl.**
USPC **D14/440**
(58) **Field of Classification Search**
USPC D14/440, 447, 250; 206/45.23, 320,
206/45.2; 361/679.55; 294/25; 224/218
CPC G06F 1/1628; G06F 1/1626; A47B 23/044
See application file for complete search history.

Primary Examiner — Cynthia R Underwood
(74) *Attorney, Agent, or Firm* — Daniel M. Cohn;
Howard M. Cohn

(57) **CLAIM**

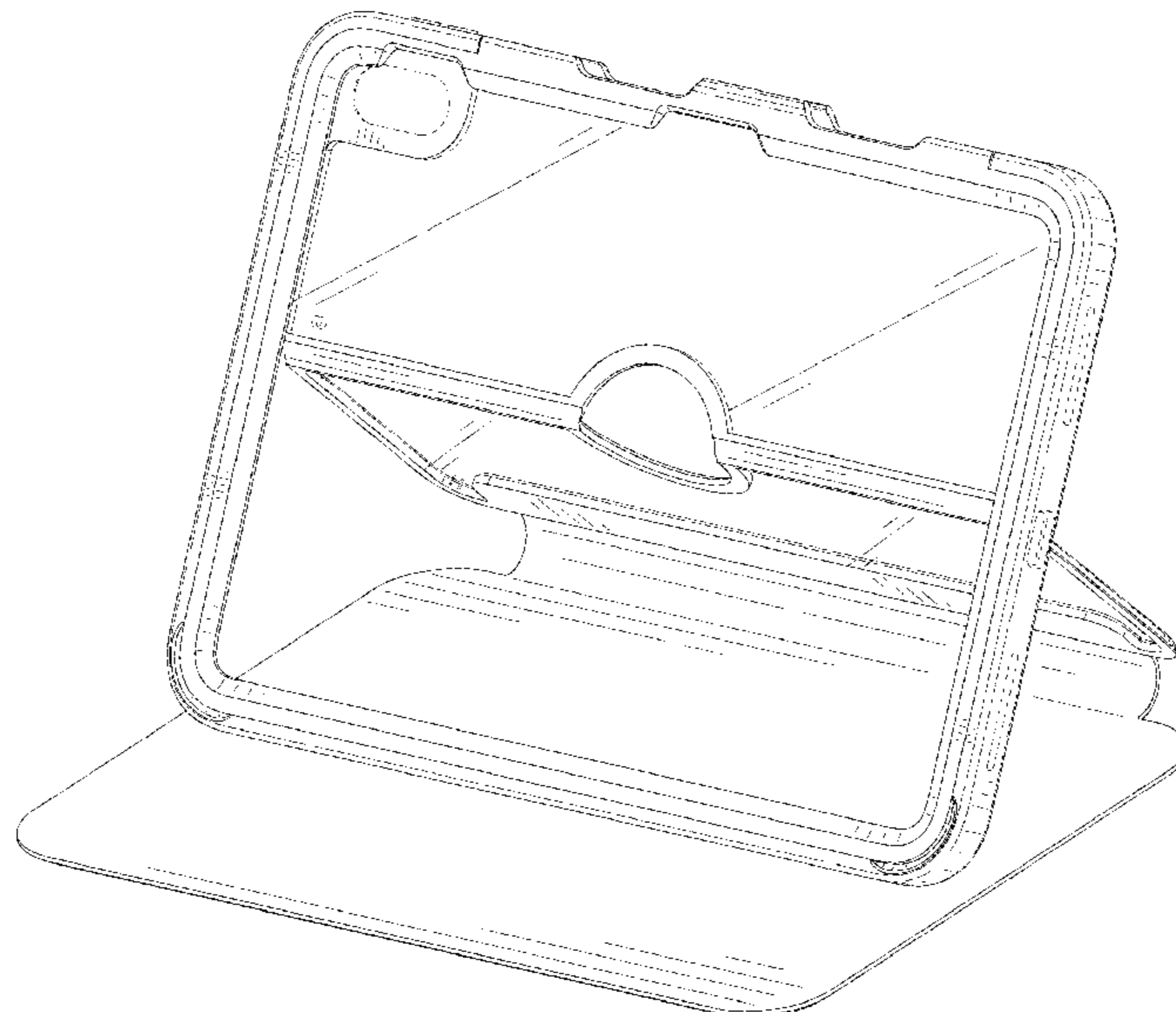
The ornamental design for a tablet case, as shown and described.

DESCRIPTION

FIG. 1 is a perspective view of a tablet case showing my new design;
FIG. 2 is another perspective view thereof;
FIG. 3 is a front elevational view thereof;
FIG. 4 is a rear elevational view thereof;
FIG. 5 is a left side elevational view thereof;
FIG. 6 is a right side elevational view thereof;
FIG. 7 is a top plan view thereof;
FIG. 8 is a bottom plan view thereof;
FIG. 9 is a perspective view of the tablet case where the tablet case is in a first configuration of use; and,
FIG. 10 is a perspective view of the tablet case where the tablet case is in a second configuration of use.
The broken lines in the drawings depict portions of the tablet case that form no part of the claimed design.

(56) **References Cited**
U.S. PATENT DOCUMENTS
7,281,698 B2 * 10/2007 Patterson, Jr. A45C 11/00
248/458
7,735,644 B2 * 6/2010 Sirichai A45C 11/00
206/45.24
D658,187 S * 4/2012 Diebel G06F 1/1628
D14/440
D658,188 S * 4/2012 Diebel D14/440
D663,304 S * 7/2012 Akana D14/440
8,230,992 B2 * 7/2012 Law G06F 1/1626
248/176.1
8,245,843 B1 * 8/2012 Wu H01M 10/465
206/320
8,312,991 B2 * 11/2012 Diebel G06F 1/1628
206/45.24

1 Claim, 10 Drawing Sheets



(56)

References Cited

U.S. PATENT DOCUMENTS

D691,142 S * 10/2013 Diebel G06F 1/1679
 D14/440
 D692,434 S * 10/2013 Kim D14/440
 D693,823 S * 11/2013 Chen D14/440
 D695,296 S * 12/2013 Hsu D14/440
 D696,256 S * 12/2013 Piedra D14/440
 D696,669 S * 12/2013 Akana D14/440
 8,640,864 B2 * 2/2014 Chen G06F 1/1628
 206/320
 8,657,112 B2 * 2/2014 Igarashi H05K 5/03
 206/320
 D701,205 S * 3/2014 Akana D14/341
 D702,673 S * 4/2014 Murchison D14/250
 D704,689 S * 5/2014 Chang D3/218
 D706,270 S * 6/2014 Akana D14/440
 D706,783 S * 6/2014 Almodova D14/440
 D707,229 S * 6/2014 Almodova D14/440
 8,757,375 B2 * 6/2014 Huang A47B 23/043
 206/45.24
 D708,838 S * 7/2014 Lee D14/440
 D710,859 S * 8/2014 Mecchella D14/440
 8,797,132 B2 * 8/2014 Childs A45C 11/00
 206/320
 D713,847 S * 9/2014 Su D14/440
 D713,848 S * 9/2014 Akana D14/440
 9,451,822 B2 * 9/2016 Gu F16M 11/041
 D864,972 S * 10/2019 Chen D14/440
 D868,071 S * 11/2019 Liu D14/440
 D871,415 S * 12/2019 Lin D14/440
 D874,466 S * 2/2020 Lei D14/440
 D875,735 S * 2/2020 Buechin G06F 1/1671
 D14/440
 D883,986 S * 5/2020 Akana D14/440
 D885,402 S * 5/2020 Lei D14/440
 D887,415 S * 6/2020 Claudepierre D14/440
 D888,718 S * 6/2020 Xu D14/440
 D889,474 S * 7/2020 Akana D14/440
 D890,183 S * 7/2020 Zhao D14/440
 D891,435 S * 7/2020 Cheng
 D892,126 S * 8/2020 Kim D14/440
 D896,233 S * 9/2020 Chen D14/440
 D898,746 S * 10/2020 Buechin A45C 11/00
 D14/440
 D904,413 S * 12/2020 Feng D14/440
 D907,044 S * 1/2021 Cheng D14/440
 D907,046 S * 1/2021 Kao D14/440
 D907,047 S * 1/2021 Kao D14/440

D909,391 S * 2/2021 Cheng D14/440
 D910,026 S * 2/2021 Li D14/440
 D910,642 S * 2/2021 Li D14/440
 D910,643 S * 2/2021 Li D14/440
 D912,059 S * 3/2021 Zhao D14/440
 D912,060 S * 3/2021 Zhu D14/440
 D912,063 S * 3/2021 Yan D14/440
 D913,293 S * 3/2021 Feng D14/440
 D920,335 S * 5/2021 Akana D14/440
 D921,637 S * 6/2021 Cheng D14/440
 D922,390 S * 6/2021 Cheng D14/440
 D922,391 S * 6/2021 Cheng D14/440
 D923,011 S * 6/2021 Cheng D14/440
 D924,244 S * 7/2021 Akana D14/440
 D928,880 S * 7/2021 Akana D14/440
 D928,788 S * 8/2021 Kang D14/440
 D932,493 S * 10/2021 Xiong
 D941,824 S * 1/2022 Kim D14/440
 2003/0034263 A1 * 2/2003 D'Hoste A45C 9/00
 206/320
 2008/0302687 A1 * 12/2008 Sirichai A45C 11/00
 206/320
 2009/0159763 A1 * 6/2009 Kim A47B 23/044
 248/176.1
 2011/0266194 A1 * 11/2011 Bau H04B 1/3888
 206/736
 2011/0290687 A1 * 12/2011 Han A45C 13/002
 206/320
 2012/0211377 A1 * 8/2012 Sajid G06F 1/1628
 206/216
 2012/0211613 A1 * 8/2012 Yang A45C 13/34
 248/174
 2012/0308981 A1 * 12/2012 Libin G09B 7/00
 434/362
 2013/0015088 A1 * 1/2013 Wu A45C 11/00
 206/320
 2013/0020216 A1 * 1/2013 Chiou G06F 1/1626
 206/320
 2013/0140203 A1 * 6/2013 Chiang G06F 1/1628
 206/320
 2013/0213838 A1 * 8/2013 Tsai G06F 1/1633
 206/320
 2013/0214661 A1 * 8/2013 McBroom G06F 1/166
 312/325
 2013/0241381 A1 * 9/2013 Hyneczek H05K 5/03
 312/240
 2013/0264459 A1 * 10/2013 McCosh F16M 11/105
 248/688

* cited by examiner

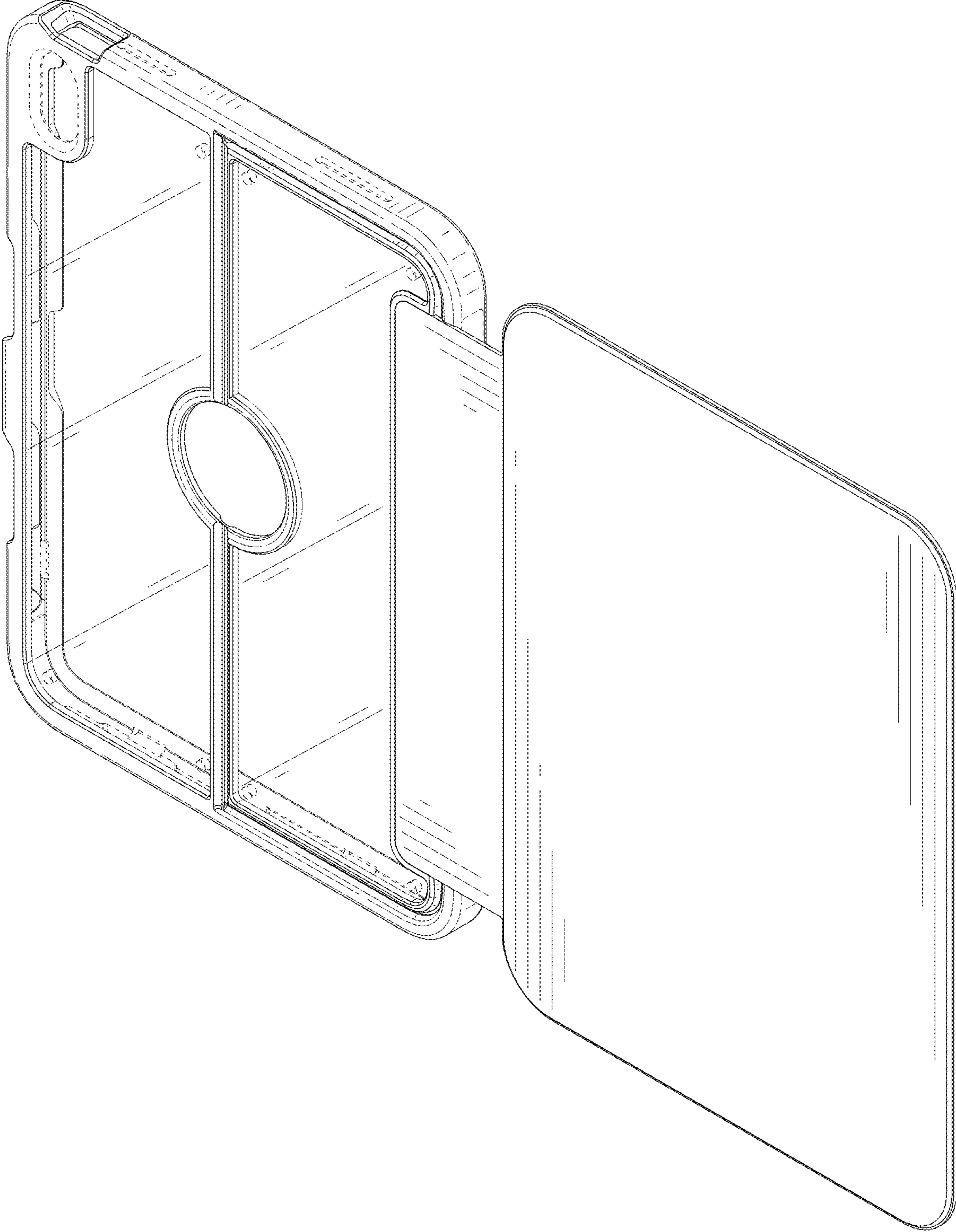


FIG. 1

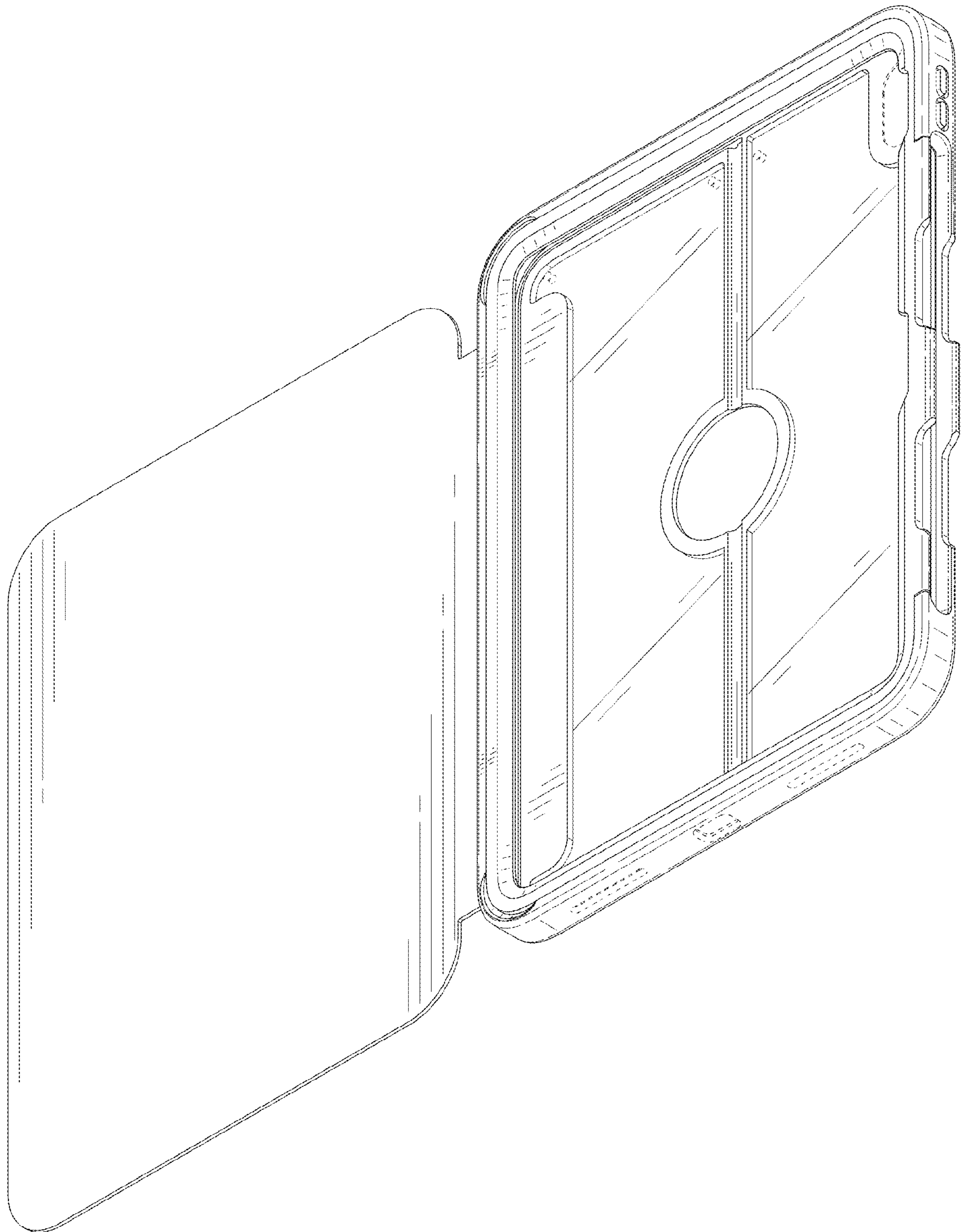


FIG. 2

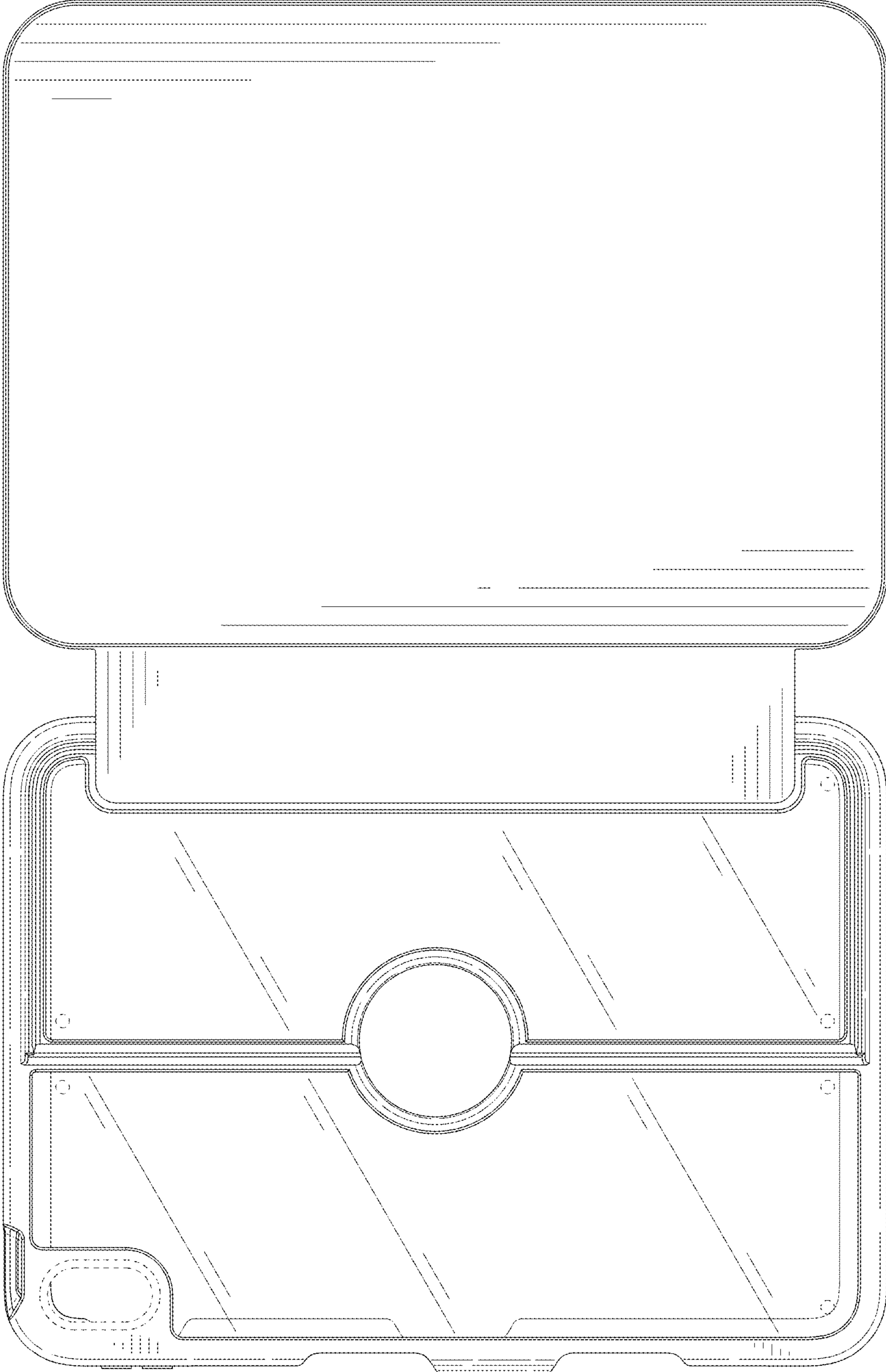


FIG. 3

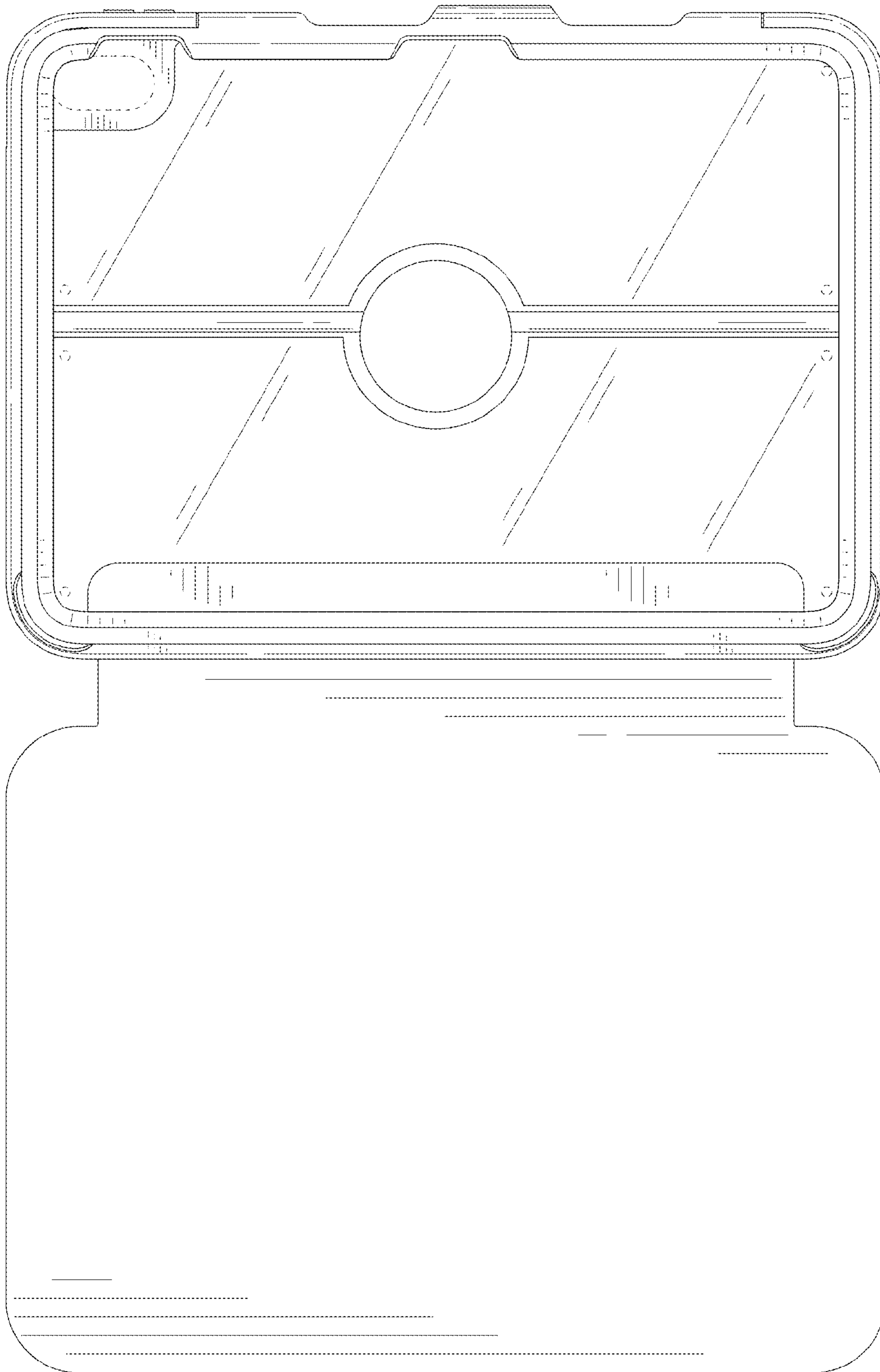


FIG. 4

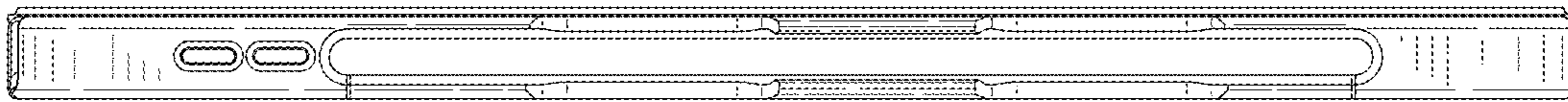


FIG. 5

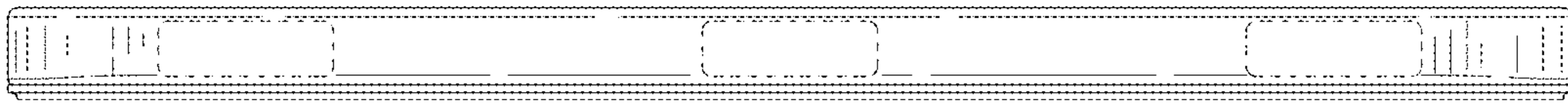


FIG. 6



FIG. 7

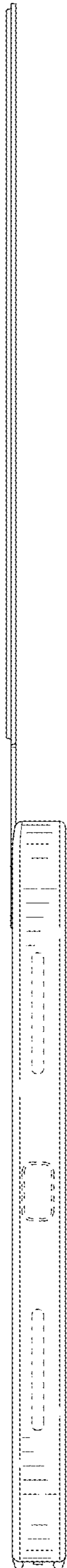


FIG. 8

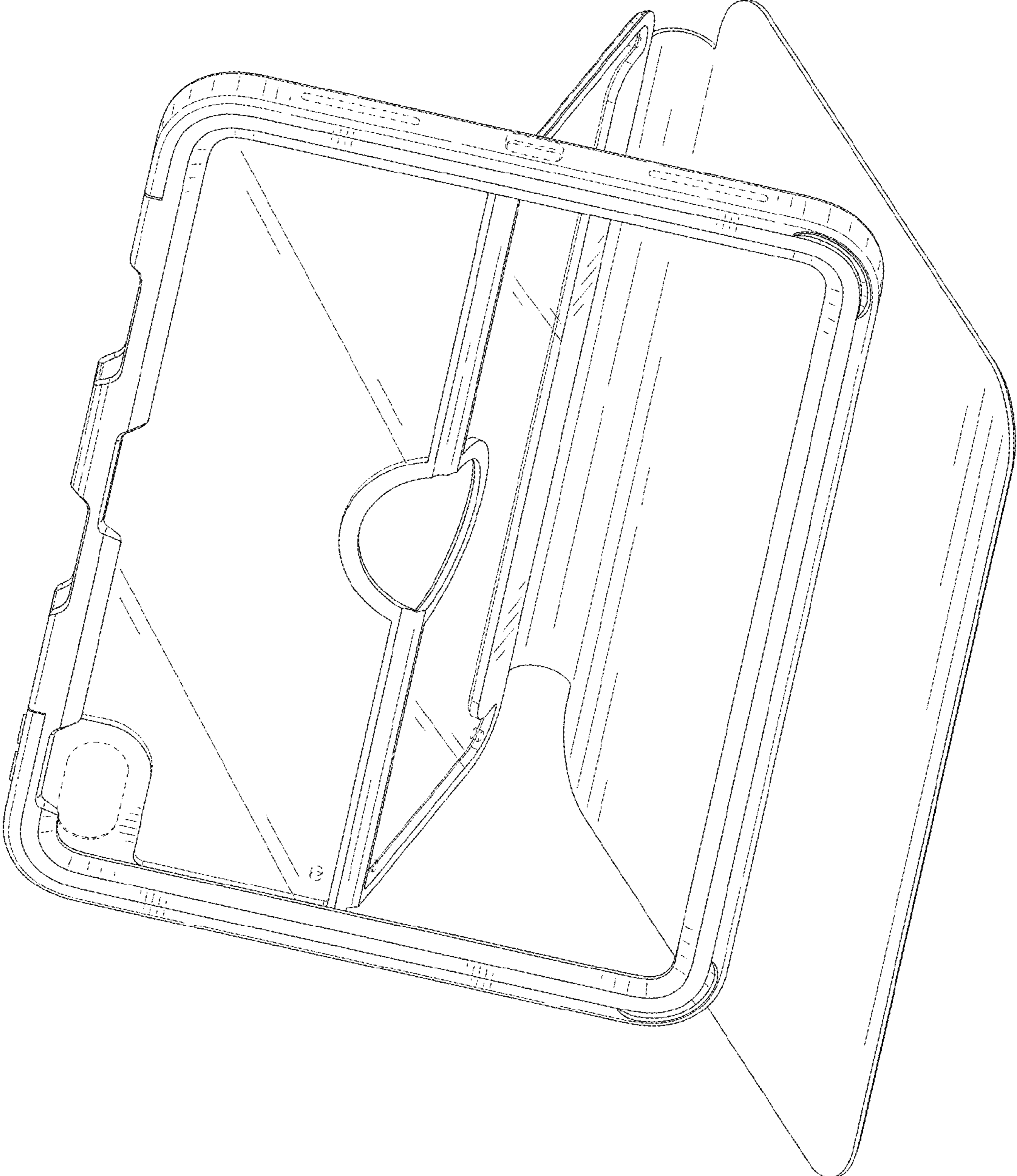


FIG. 9

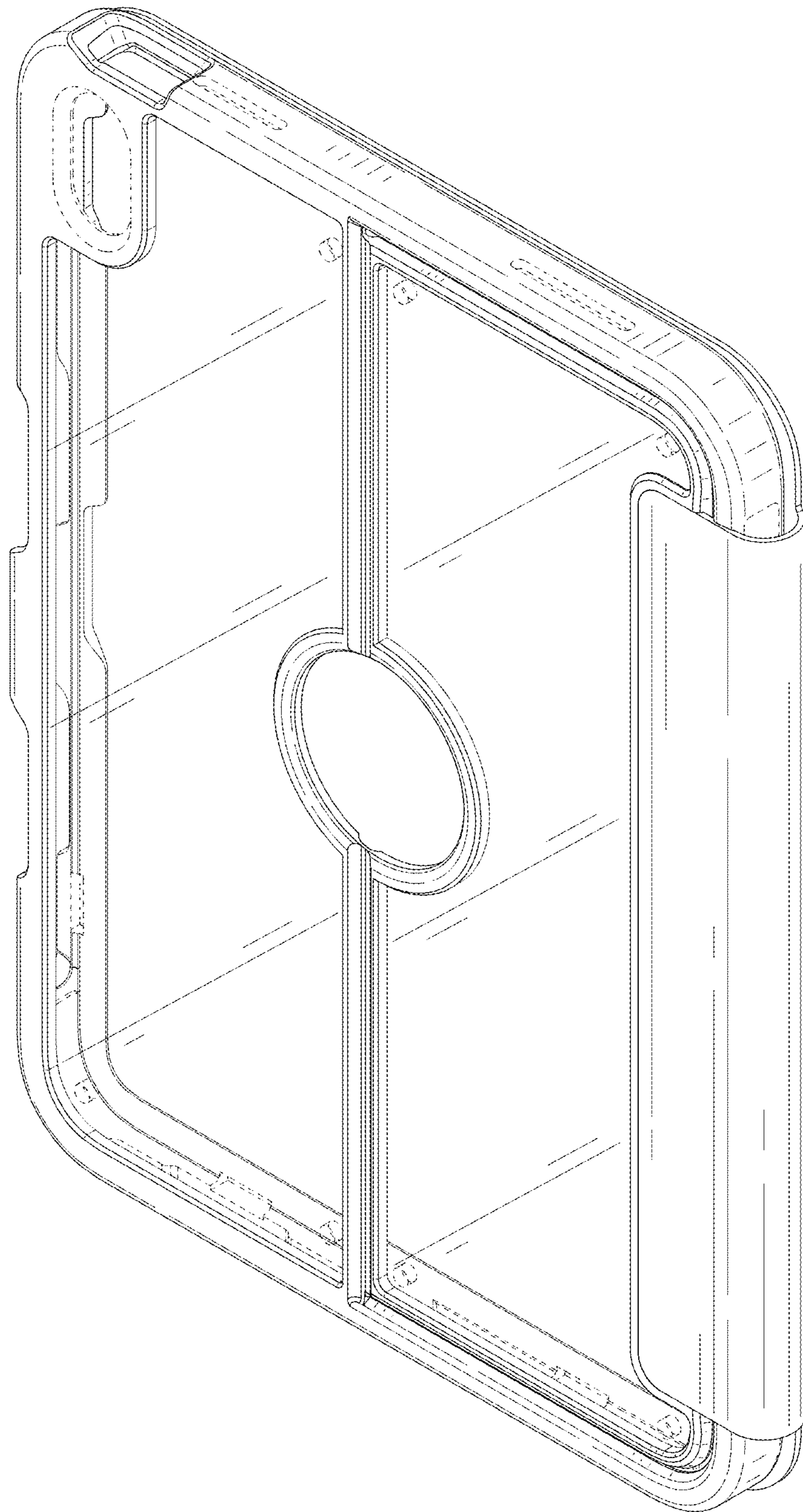


FIG. 10