



US00D983801S

(12) **United States Design Patent**  
**Liu**

(10) **Patent No.:** **US D983,801 S**  
(45) **Date of Patent:** **\*\* Apr. 18, 2023**

- (54) **TABLET CASE**
- (71) Applicant: **Luyao Liu**, Guangzhou (CN)
- (72) Inventor: **Luyao Liu**, Guangzhou (CN)
- (\*\*) Term: **15 Years**
- (21) Appl. No.: **29/857,063**
- (22) Filed: **Oct. 19, 2022**
- (51) **LOC (14) Cl.** ..... **14-02**
- (52) **U.S. Cl.**  
USPC ..... **D14/440**
- (58) **Field of Classification Search**  
USPC ..... D14/217, 250, 251, 252, 253, 440, 447;  
D12/415; D3/218  
CPC . A45C 11/00; A45C 2011/002; H04B 1/3888;  
H04M 1/04; H04M 1/06; H04M 1/6075;  
F16M 13/02  
See application file for complete search history.

D954,695 S \* 6/2022 Deng ..... D14/250  
D957,405 S \* 7/2022 Wu ..... D14/440  
D958,795 S \* 7/2022 Cheng ..... D14/440  
(Continued)

**FOREIGN PATENT DOCUMENTS**

CN 302723068 \* 1/2014  
CN 303114001 \* 2/2015  
(Continued)

**OTHER PUBLICATIONS**

IPad Pro 11 Case Cover, Feb. 22, 2019 [online], retrieved Dec. 13, 2022, retrieved from the internet URL: < https://www.amazon.com/Shockproof-Protective-Carrying-Protector-Water-Resistant/dp/B07P4MNZXW/ref=sr\_1\_54 > (Year: 2019).\*  
(Continued)

*Primary Examiner* — Janice Hallmark  
*Assistant Examiner* — Rodolfo Castro, Jr.

(56) **References Cited**

**U.S. PATENT DOCUMENTS**

- D682,816 S \* 5/2013 Fathollahi ..... D14/250
- D830,368 S \* 10/2018 Zhang ..... D14/440
- D851,092 S \* 6/2019 Tan ..... D14/440
- D851,648 S \* 6/2019 Tan ..... D14/440
- D852,802 S \* 7/2019 Gao ..... D14/440
- D856,956 S \* 8/2019 Liu ..... D14/250
- D861,665 S \* 10/2019 Li ..... D14/250
- D876,422 S \* 2/2020 Armstrong ..... D14/250
- D883,987 S \* 5/2020 Cheng ..... D14/440
- D925,543 S \* 7/2021 Ma ..... D14/440
- D926,193 S \* 7/2021 Ma ..... D14/440
- D930,653 S \* 9/2021 Armstrong ..... D14/440
- D932,479 S \* 10/2021 Wright ..... D14/250
- D934,226 S \* 10/2021 Zhang ..... D14/250
- D935,180 S \* 11/2021 Zhang ..... D14/440
- D937,275 S 11/2021 Cheng
- D947,166 S \* 3/2022 Mi ..... D14/250
- D947,830 S \* 4/2022 Lin ..... D14/250
- D951,242 S \* 5/2022 Lin ..... D14/250
- D952,624 S \* 5/2022 Armstrong ..... D14/250

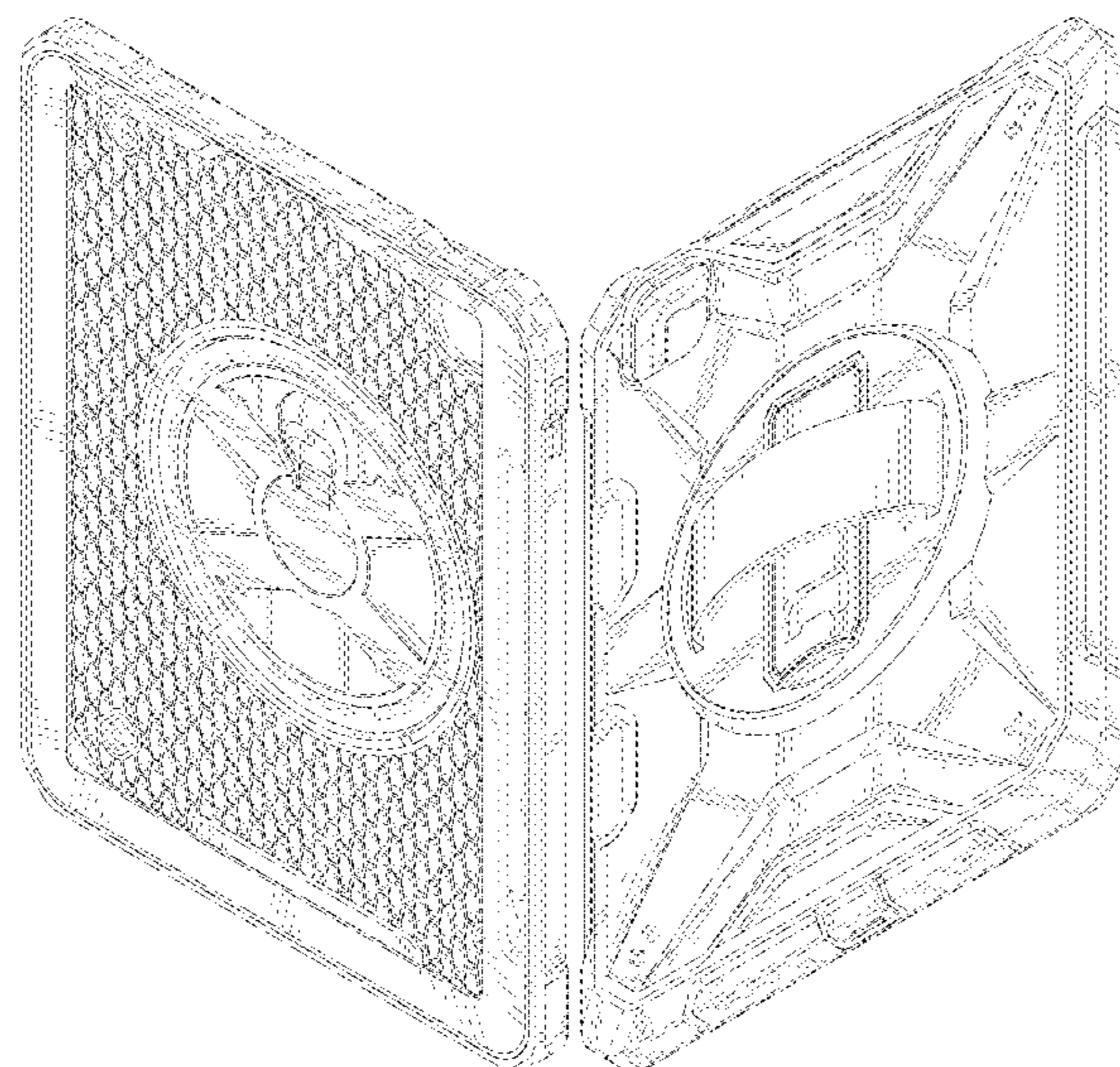
(57) **CLAIM**

The ornamental design for a tablet case, as shown and described.

**DESCRIPTION**

FIG. 1 is a front and top perspective view of a tablet case, showing my new design;  
FIG. 2 is a rear and bottom perspective view thereof;  
FIG. 3 is a front elevation view thereof;  
FIG. 4 is a rear elevation view thereof;  
FIG. 5 is a left side elevation view thereof;  
FIG. 6 is a right side elevation view thereof;  
FIG. 7 is a top plan view thereof; and,  
FIG. 8 is a bottom plan view thereof.  
The broken lines in the figures illustrate portions of the tablet case that form no part of the claimed design.

**1 Claim, 8 Drawing Sheets**



(56)

**References Cited**

U.S. PATENT DOCUMENTS

D967,828 S \* 10/2022 Cheng ..... D14/440  
D967,830 S \* 10/2022 Cheng ..... D14/440

FOREIGN PATENT DOCUMENTS

CN 304420768 \* 12/2017  
CN 304562574 \* 4/2018  
CN 305219273 \* 6/2019  
CN 305729889 \* 4/2020

OTHER PUBLICATIONS

Miesherk STOCK iPad 11 Case, Jul. 9, 2021 [online], retrieved Dec. 13, 2022, retrieved from the internet URL: < [https://www.amazon.com/iPad-Pro-11-Case-2021/dp/B096YJL5L4/ref=sr\\_1\\_51](https://www.amazon.com/iPad-Pro-11-Case-2021/dp/B096YJL5L4/ref=sr_1_51) > (Year: 2021).\*

\* cited by examiner

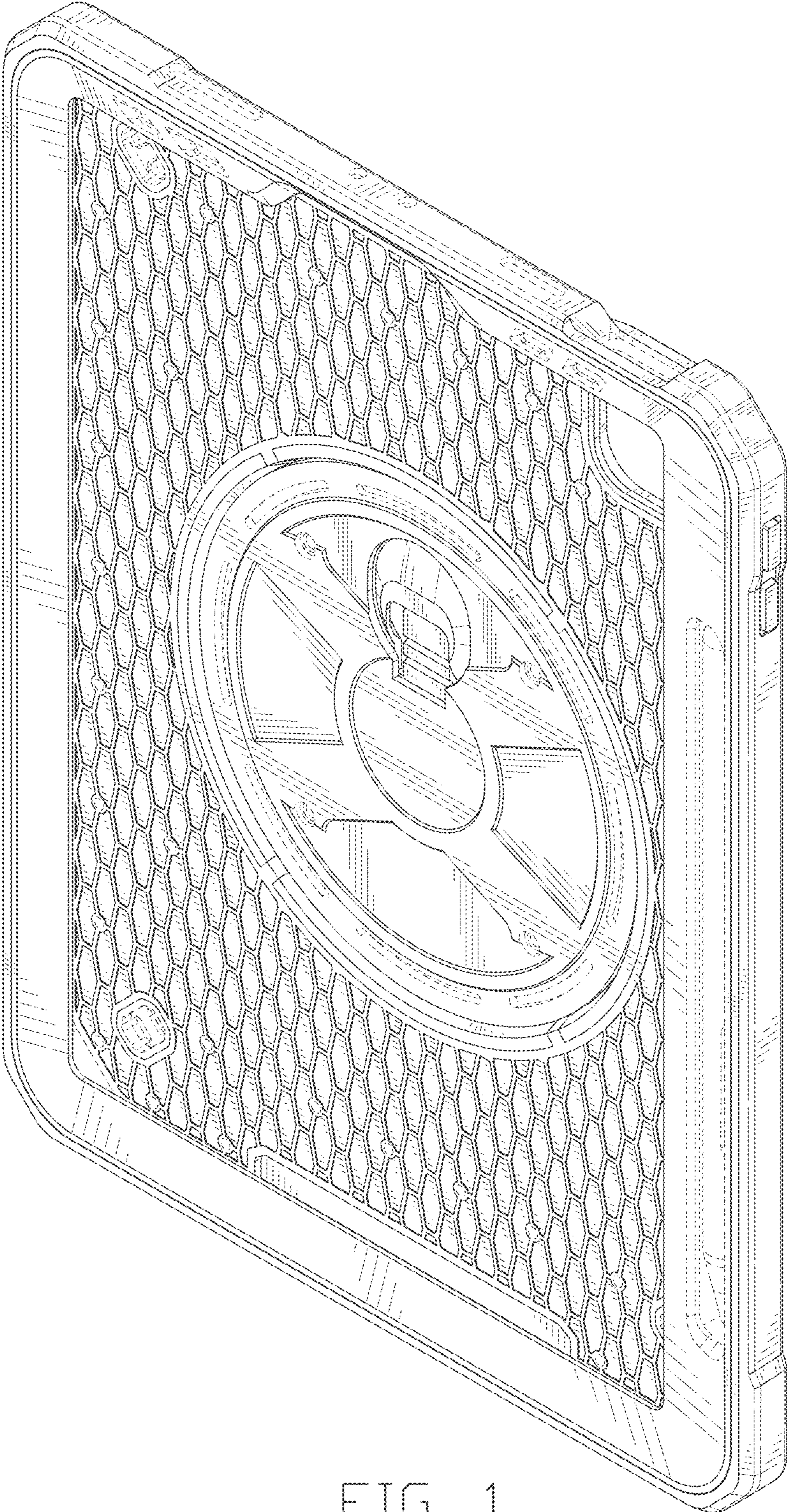


FIG. 1

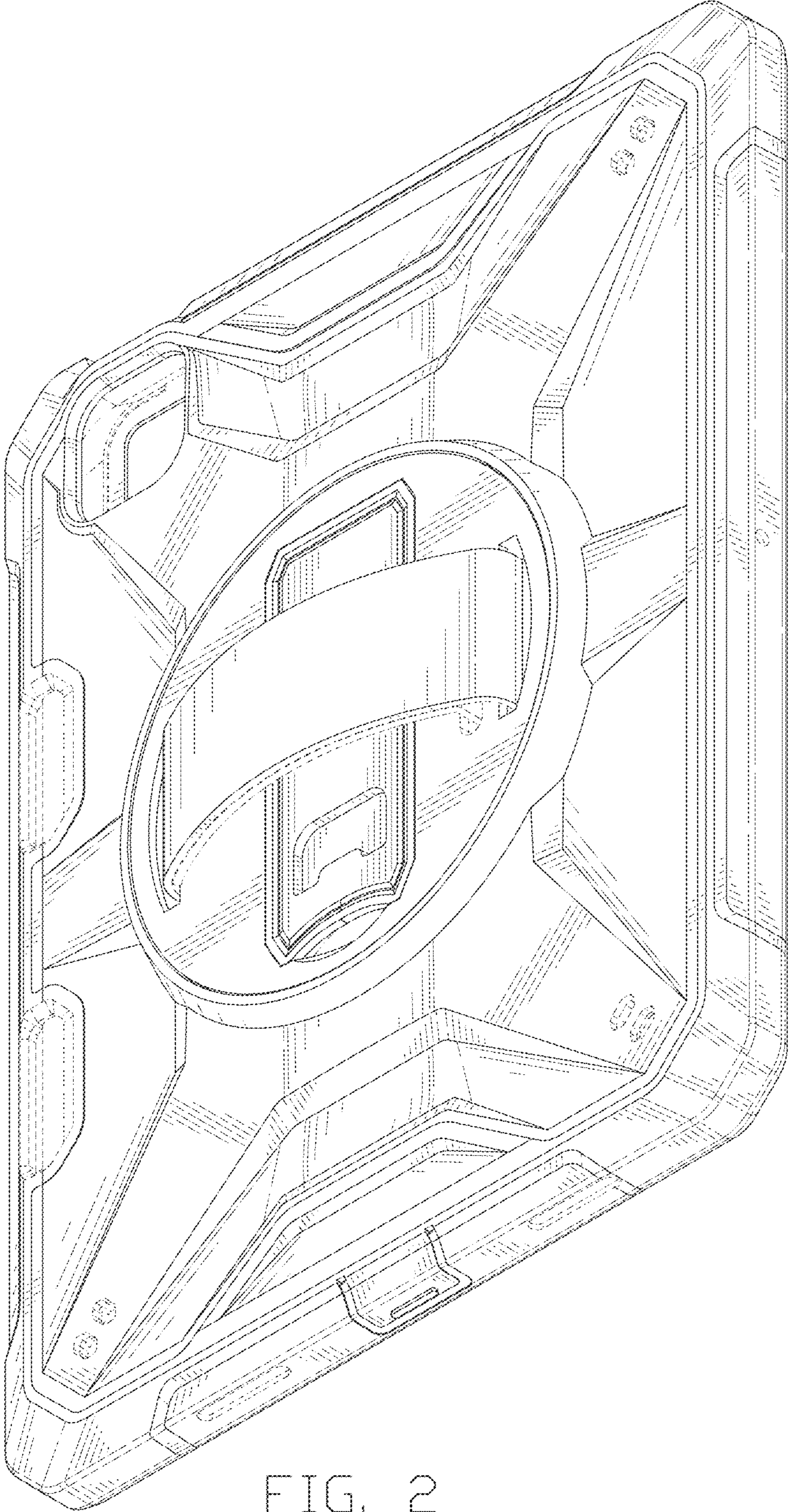


FIG. 2

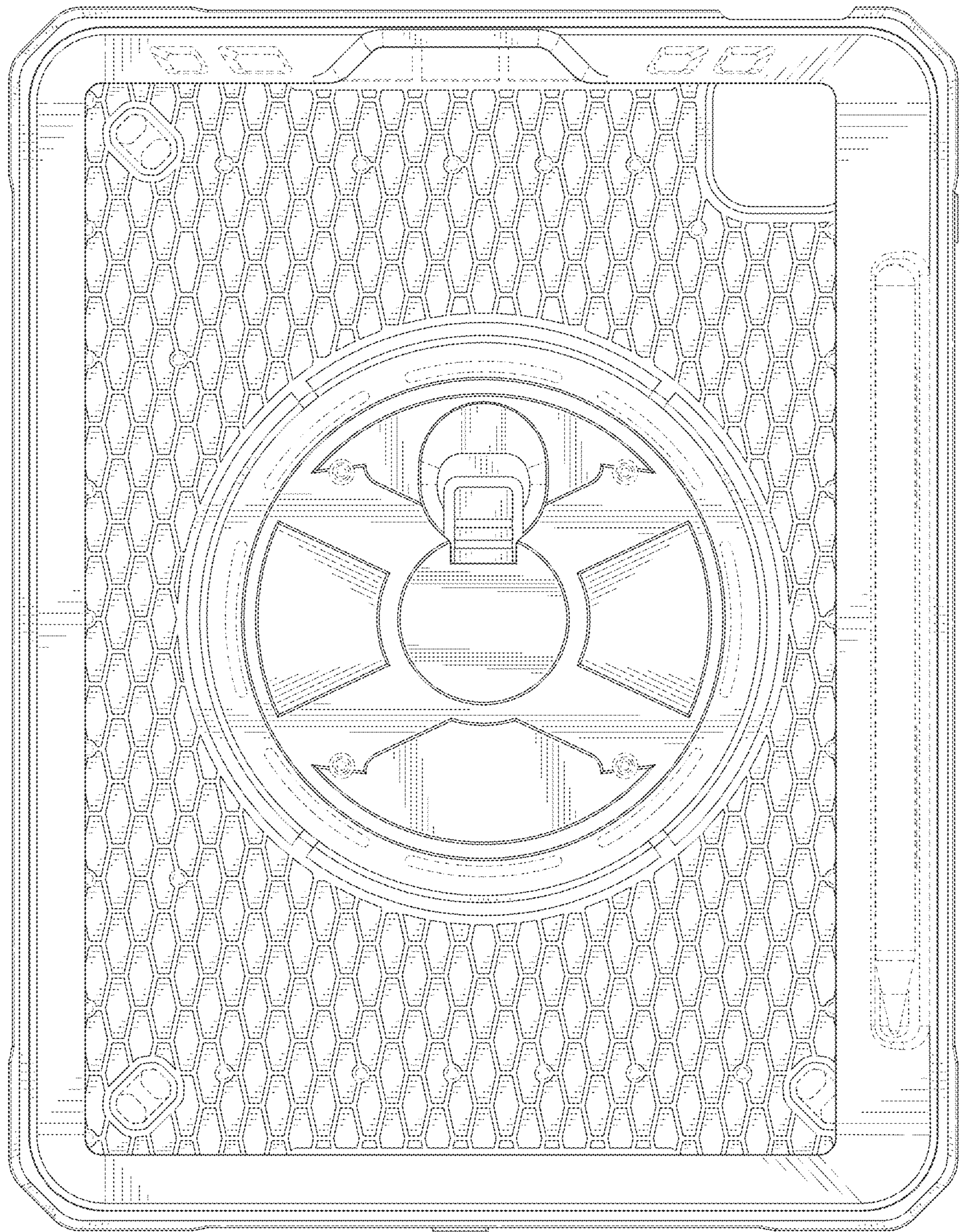


FIG. 3

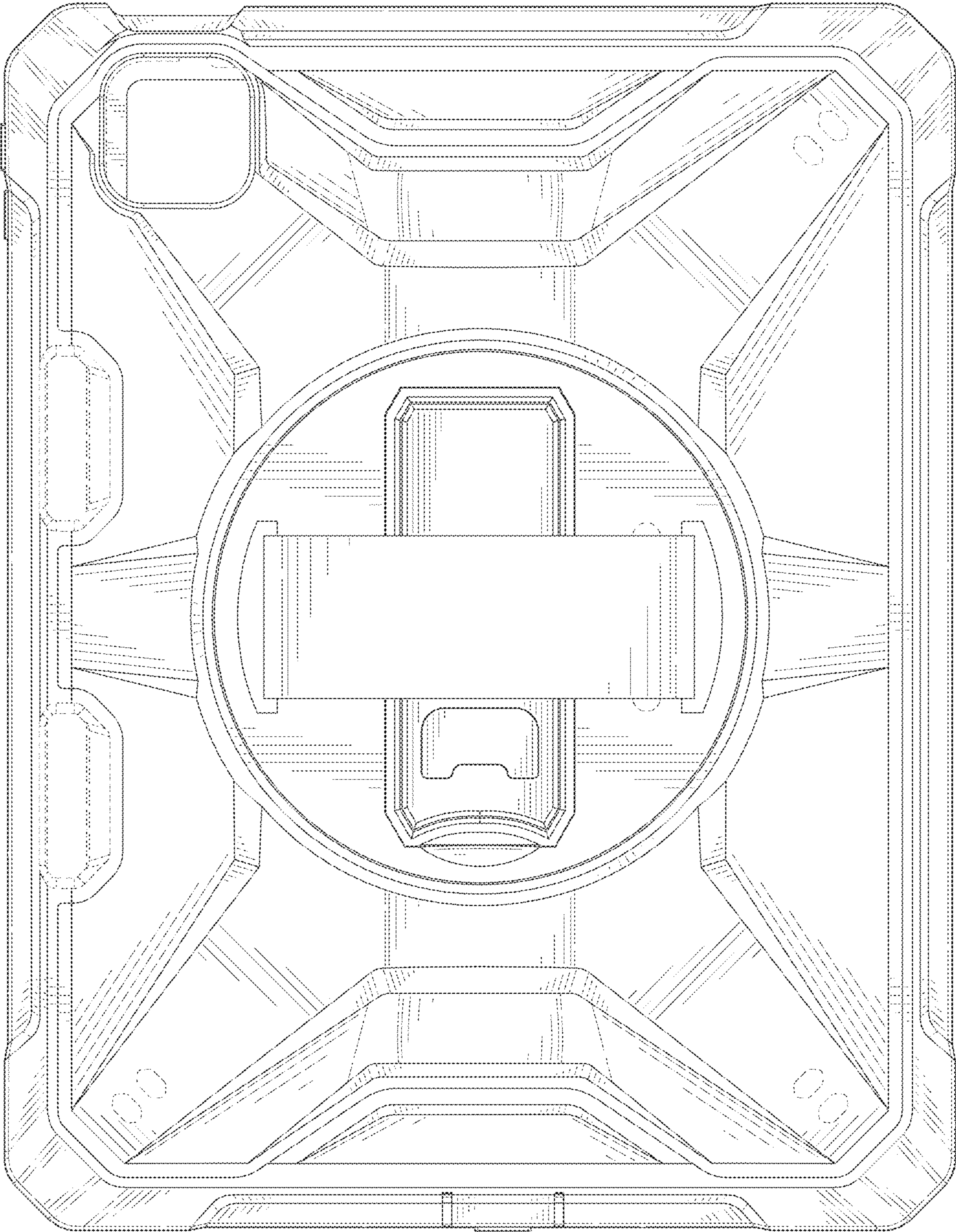


FIG. 4

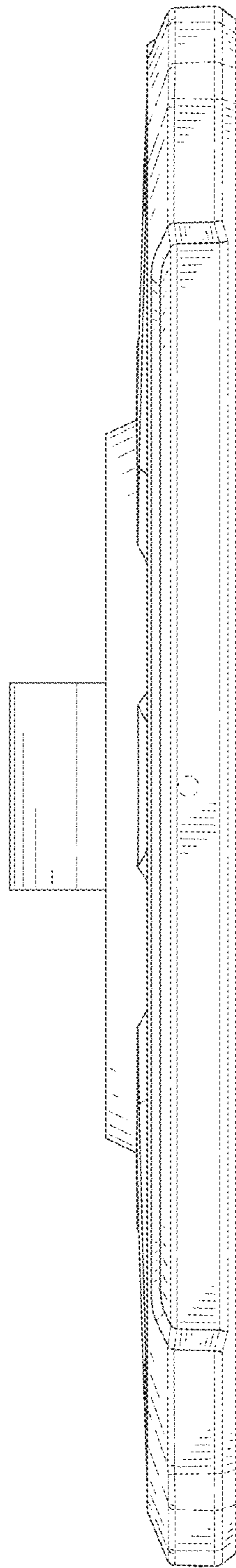


FIG. 5

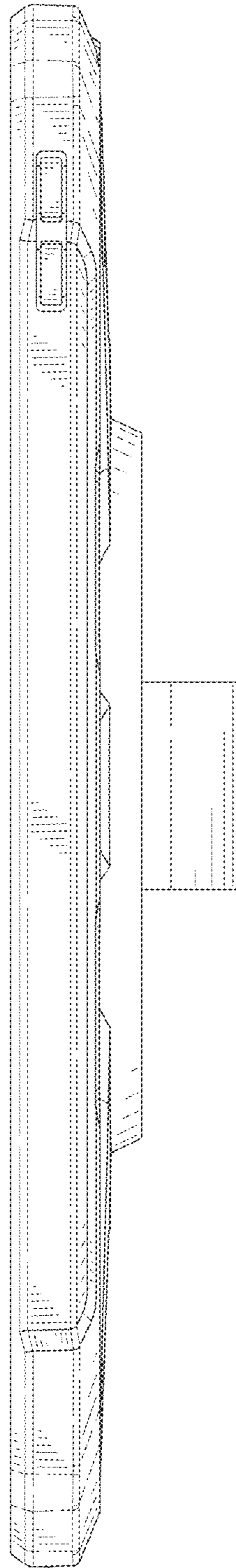


FIG. 6



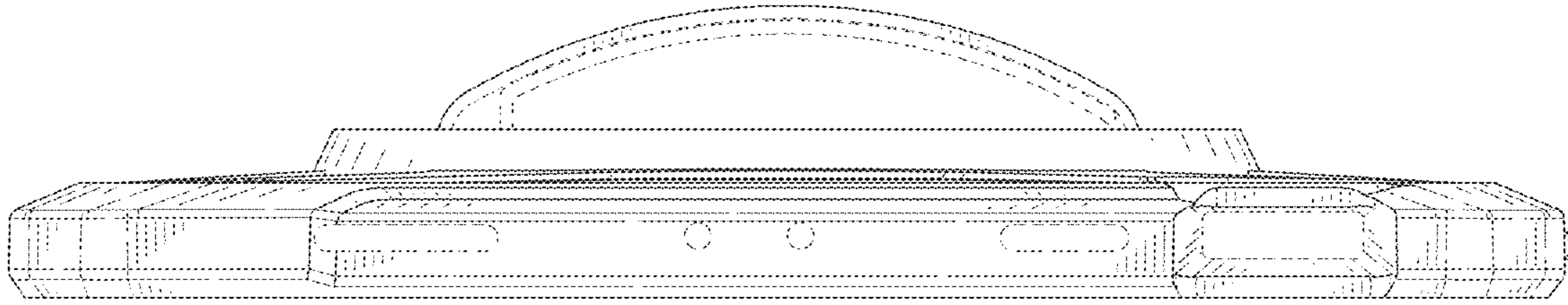


FIG. 7

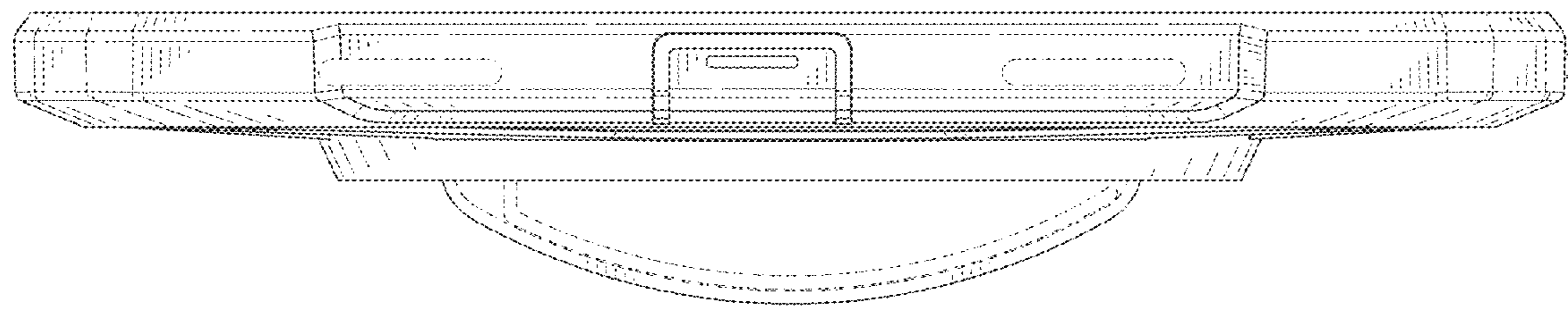


FIG. 8