



US00D983800S

(12) **United States Design Patent**
Liu

(10) **Patent No.:** **US D983,800 S**
(45) **Date of Patent:** **** Apr. 18, 2023**

- (54) **KEYBOARD FOR TABLETS**
- (71) Applicant: **Fubing Liu**, Shenzhen (CN)
- (72) Inventor: **Fubing Liu**, Shenzhen (CN)
- (**) Term: **15 Years**
- (21) Appl. No.: **29/851,125**
- (22) Filed: **Aug. 25, 2022**

(30) **Foreign Application Priority Data**

Aug. 12, 2022 (CN) 202230526293.2

(51) **LOC (14) Cl.** **14-02**

(52) **U.S. Cl.**
USPC **D14/440**; D14/316; D14/392; D14/455

(58) **Field of Classification Search**
USPC D3/201, 215, 218, 233, 247, 249, 267,
D3/269, 273, 300, 303, 307, 323;
(Continued)

(56) **References Cited**

U.S. PATENT DOCUMENTS

D675,625 S * 2/2013 Hasbrook D14/440
D684,983 S * 6/2013 Wu D14/455
(Continued)

FOREIGN PATENT DOCUMENTS

CN 307013927 * 12/2021
CN 307319104 * 5/2022
(Continued)

OTHER PUBLICATIONS

Doqo Touch 2022 iPad Air 5th Gen Case with Keyboard, Apr. 30, 2022 [online], retrieved Nov. 15, 2022, retrieved from the internet: <https://www.amazon.com/doqo-Keyboards-Generation-Bluetooth-Detachable/dp/B09W5B5JQ7/ref=sr_1_46?> (Year: 2022).*

(Continued)

Primary Examiner — Janice Hallmark
Assistant Examiner — Rodolfo Castro, Jr.
(74) *Attorney, Agent, or Firm* — ScienBiziP, P.C.

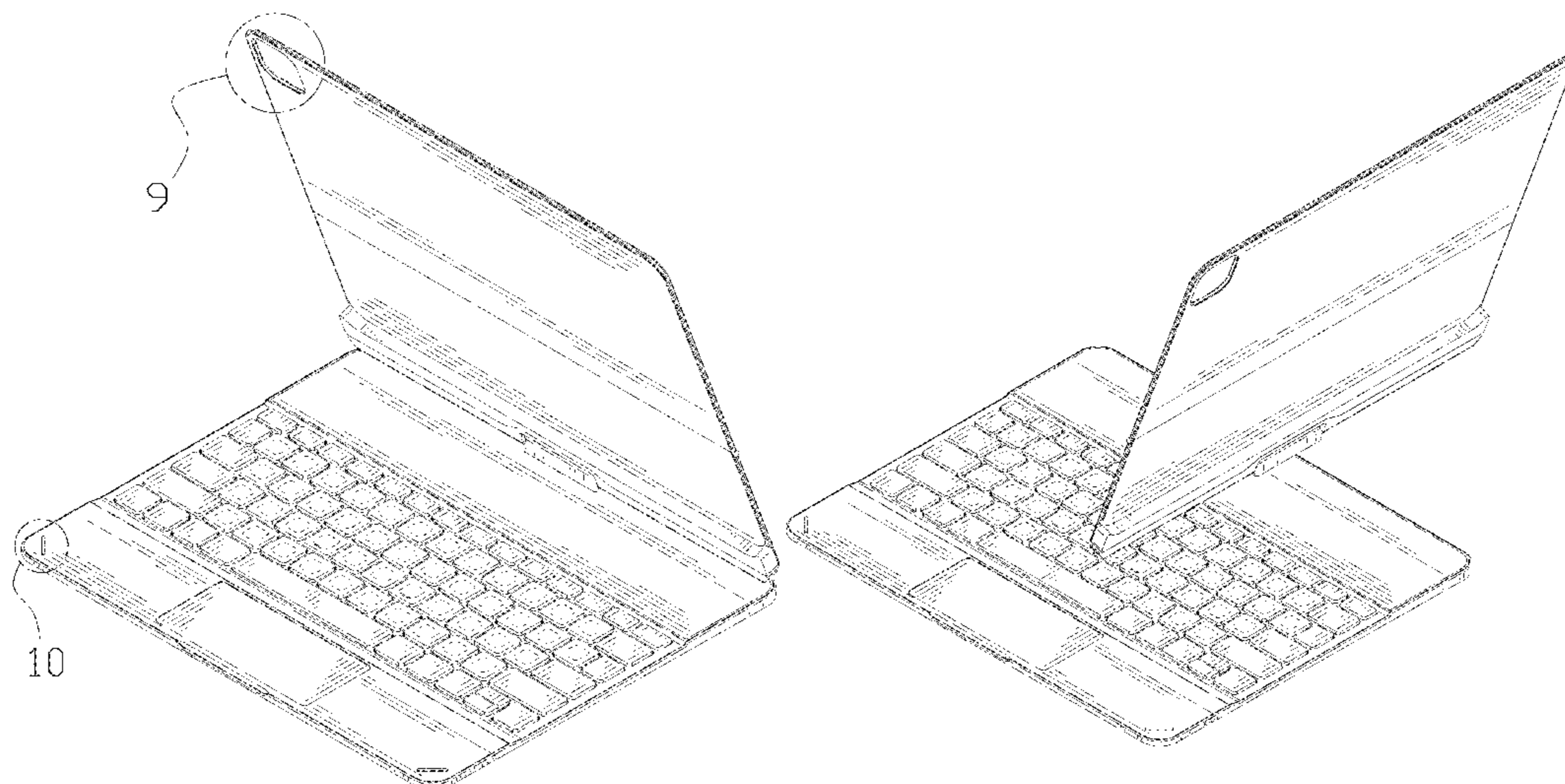
(57) **CLAIM**

The ornamental design for a keyboard for tablets, as shown and described.

DESCRIPTION

FIG. 1 is a front, right and top perspective view of a keyboard for tablets, showing my design.
 FIG. 2 is a rear, left and bottom perspective view thereof.
 FIG. 3 is a front elevation view thereof.
 FIG. 4 is a rear elevation view thereof.
 FIG. 5 is a left side elevation view thereof.
 FIG. 6 is a right side elevation view thereof.
 FIG. 7 is a top plan view thereof.
 FIG. 8 is a bottom plan view thereof.
 FIG. 9 is an enlarged view of the area encircled by broken line labeled “9” in FIG. 1.
 FIG. 10 is an enlarged view of the area encircled by broken line labeled “10” in FIG. 1.
 FIG. 11 is a front, right and top perspective view of the keyboard for tablets of FIG. 1, shown an environment of use with a tablet.
 FIG. 12 is a front, right and top perspective view thereof, shown in a state of use with the top portion rotated.
 FIG. 13 is an exploded view thereof, showing the top portion separated from the middle and bottom portions.
 FIG. 14 is another exploded view thereof, showing the top portions, middle portion, and bottom portion separated.
 FIG. 15 is a front, right and top perspective view thereof, showing the top portion in an alternate position of use; and, FIG. 16 is a front, right and top perspective view thereof, showing the keyboard for tablets in a folded position of use. The dash-dash broken lines illustrate portions of the keyboard for tablets that form no part of the claimed design. Additional broken lines showing a tablet in FIG. 11 illustrate environmental subject matter and form no part of the claimed design.

1 Claim, 16 Drawing Sheets



(58) **Field of Classification Search**

USPC D10/104.1, 50, 65, 74; D14/238, 238.1,
 D14/341, 342, 343, 344, 345, 346, 347,
 D14/426, 240, 447, 451, 440, 432-434,
 D14/452, 130, 496, 137, 138 R, 138 AA,
 D14/138 C, 138 G, 140, 140.8, 140.9,
 D14/140.11, 148, 147, 151, 203.1,
 D14/203.3-203.7, 209.1, 217, 218, 247,
 D14/248, 250, 251-253, 388, 389, 439,
 D14/482, 400, 412, 413, 414, 415, 416,
 D14/356, 357, 358, 354, 355, 359, 360,
 D14/361, 320, 331, 455; D12/415, 410,
 D12/193; D13/103, 107-108, 156, 123,
 D13/133, 154, 158, 160, 173, 178, 184,
 D13/199; D18/4.4-4.6, 6, 7, 12.2, 52;
 D21/186, 330, 332, 324, 329
 CPC G06F 3/041; G06F 3/0412; G06F 3/0416;
 G06F 3/0488; G06F 3/04883; G06F
 3/04886; G06F 1/1613; G06F 1/1624;
 G06F 1/1626; G06F 1/1633; G06F
 1/1641; G06F 1/1643; G06F 1/1692;
 G06F 2200/1633; G06F 2212/1721; G09F
 1/12; G09F 1/00; G09F 2007/1843; G09F
 2013/1881; H04B 1/3888; H04B 1/3833;
 H04B 1/04; H04B 1/03; H04B 1/08;
 A45C 13/02; A45C 13/002; A45C
 13/185; A45C 2011/002; A45C 1/06;
 A45F 2005/1006; A45F 2200/0516; A45F
 2200/0525; A47G 1/0605; A63H 33/3016;
 H04M 1/0283; H04M 1/0202; H04M
 1/0279; H04M 1/0281

See application file for complete search history.

(56) **References Cited**

U.S. PATENT DOCUMENTS

D714,790 S * 10/2014 Probst D14/440
 D733,700 S * 7/2015 Lee D14/455
 D735,211 S * 7/2015 Itano D14/455
 D758,377 S * 6/2016 Warren et al.
 D761,267 S * 7/2016 Chen D14/455
 D768,638 S * 10/2016 Lee D14/440
 D789,941 S * 6/2017 Sauvage D14/455
 D799,491 S * 10/2017 Barnard D14/440

D807,365 S * 1/2018 Liu D14/440
 D822,674 S * 7/2018 Zhu D14/455
 D822,675 S * 7/2018 Zhu D14/455
 D871,393 S * 12/2019 Moon D14/327
 D880,485 S * 4/2020 Zhu D14/440
 D885,403 S * 5/2020 Ma D14/440
 D886,108 S * 6/2020 Zhu D14/440
 D890,184 S * 7/2020 Zhu D14/440
 D902,928 S 11/2020 Cai
 D907,046 S * 1/2021 Kao D14/440
 D907,047 S * 1/2021 Kao D14/440
 D909,391 S * 2/2021 Cheng D14/440
 D912,063 S * 3/2021 Yan D14/440
 D918,214 S * 5/2021 Chen D14/440
 D920,968 S * 6/2021 Tzou D14/315
 D923,629 S * 6/2021 Ma D14/440
 D942,975 S * 2/2022 Huang D14/316
 D960,154 S * 8/2022 Akana D14/345
 D969,814 S * 11/2022 Zhu D14/320
 2016/0294433 A1 * 10/2016 Ahee H04B 1/3888
 2018/0110306 A1 * 4/2018 Armstrong A45C 11/00
 2020/0319679 A1 * 10/2020 Knoppert G06F 1/1669

FOREIGN PATENT DOCUMENTS

CN 307342650 * 5/2022
 CN 307393483 * 6/2022
 CN 307511242 * 8/2022
 GB 8096555000-1000 * 3/2017
 IN 333359-001-0001 * 8/2021
 TW 205008-0001 * 6/2020
 TW 212783-001 * 7/2021
 TW 215123-0001 * 11/2021

OTHER PUBLICATIONS

HOU Keyboard Case for 2022 iPad Air 5th /4th Generation and
 2021 iPad Pro 11 inch 3rd, Jan. 26, 2022 [online], retrieved Nov. 15,
 2022, retrieved from the internet: <[https://www.amazon.com/HOU-Keyboard-Generation-Floating-Compatible/dp/B09R78NCKD/ref=sxin_16_pa_sp_search_thematic_sspa? \(Year: 2022\).*](https://www.amazon.com/HOU-Keyboard-Generation-Floating-Compatible/dp/B09R78NCKD/ref=sxin_16_pa_sp_search_thematic_sspa? (Year: 2022).*)
 Chesona iPad Air 5th Generation Case with Keyboard, Dec. 19,
 2020 [online], retrieved Nov. 15, 2022, retrieved from the internet:
 <[https://www.amazon.com/dp/B08R192DXL? \(Year: 2020\).*](https://www.amazon.com/dp/B08R192DXL? (Year: 2020).*)
 Turn Your iPad Pro Into a Macbook—Doqo 2 MagicDock, Nov. 5,
 2020 [online], retrieved Nov. 15, 2022, retrieved from the internet:
 <[https://www.youtube.com/watch?v=hFwH119WKG0 \(Year: 2020\).*](https://www.youtube.com/watch?v=hFwH119WKG0 (Year: 2020).*)

* cited by examiner

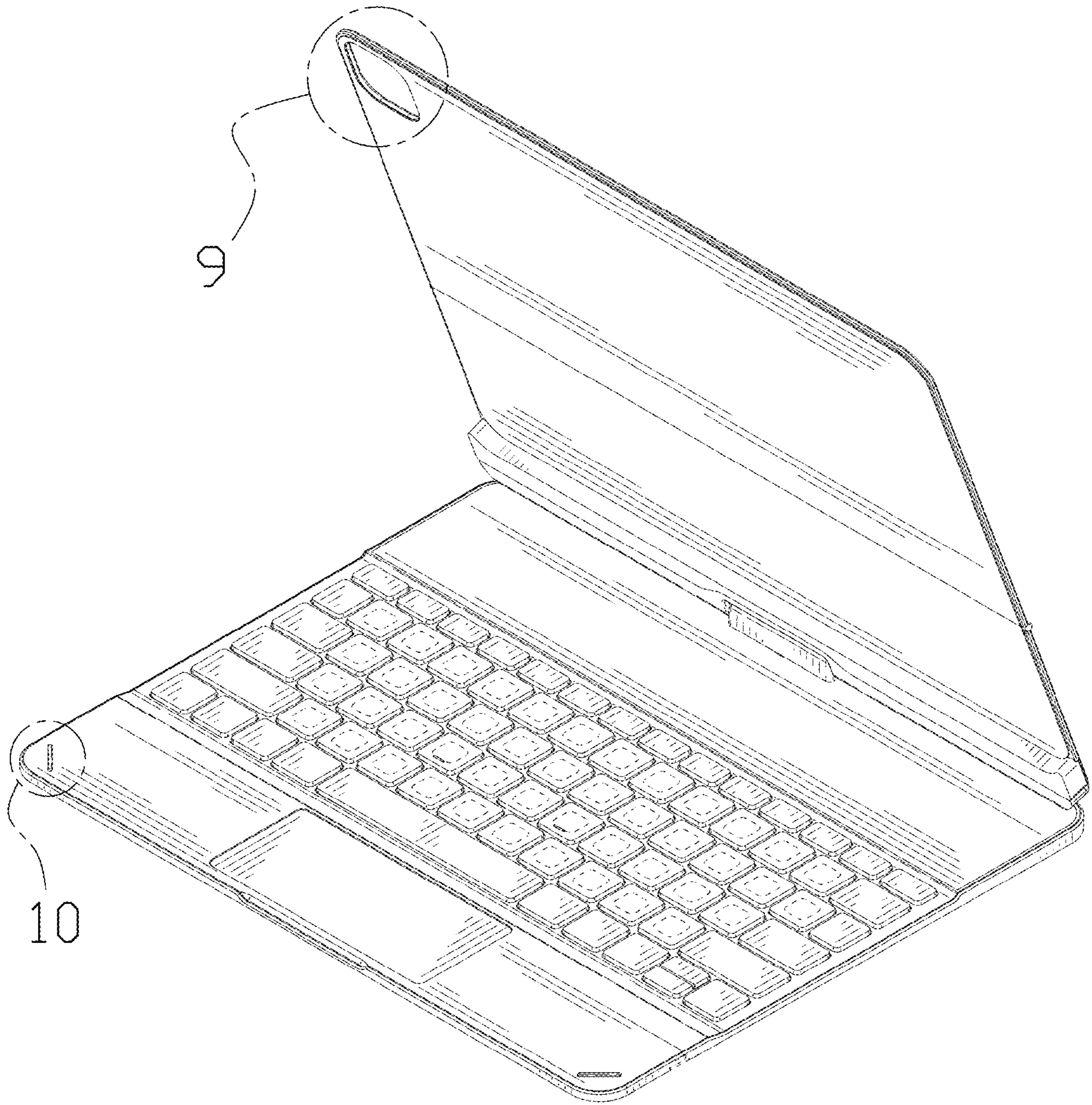


FIG. 1

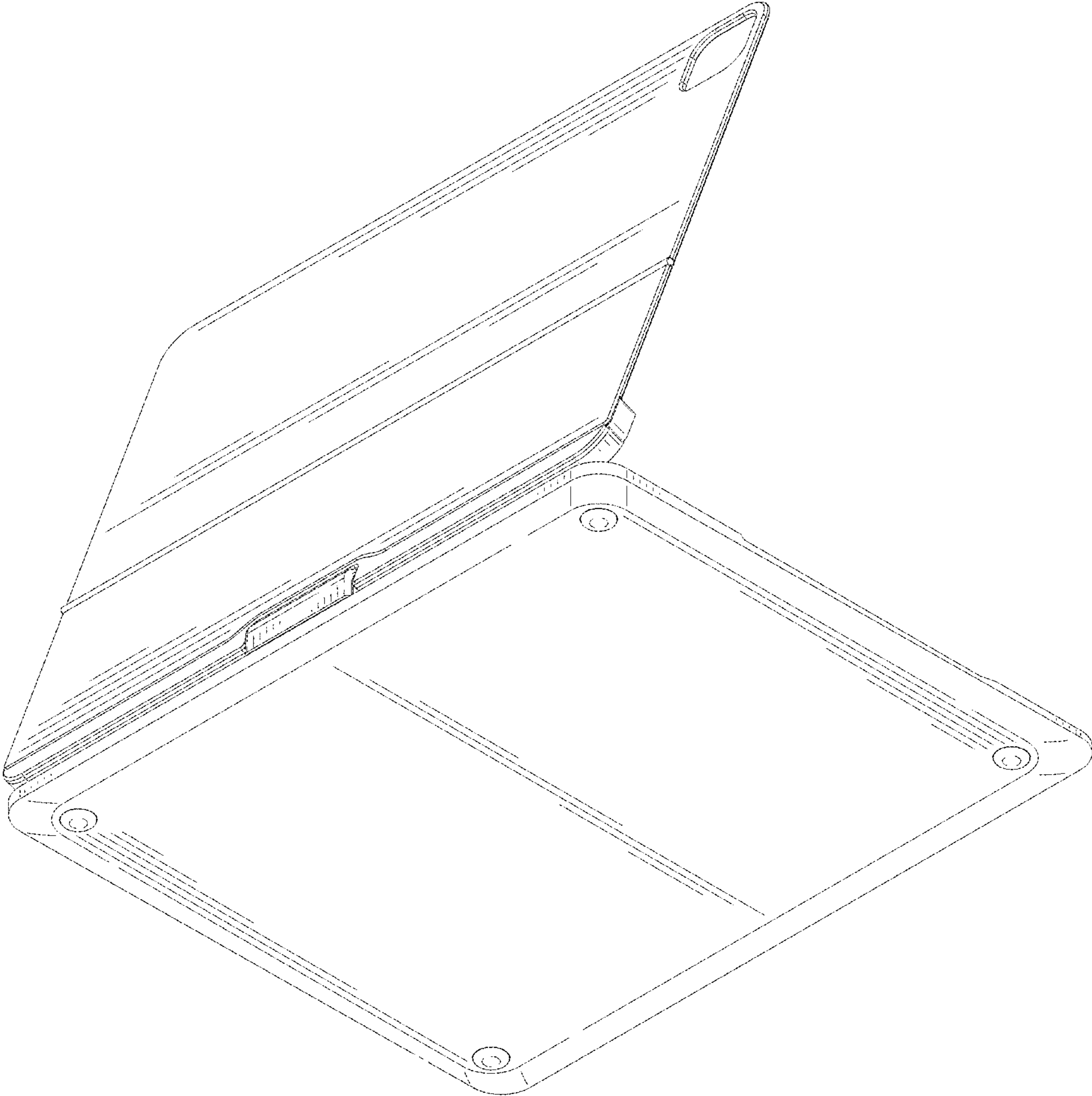


FIG. 2

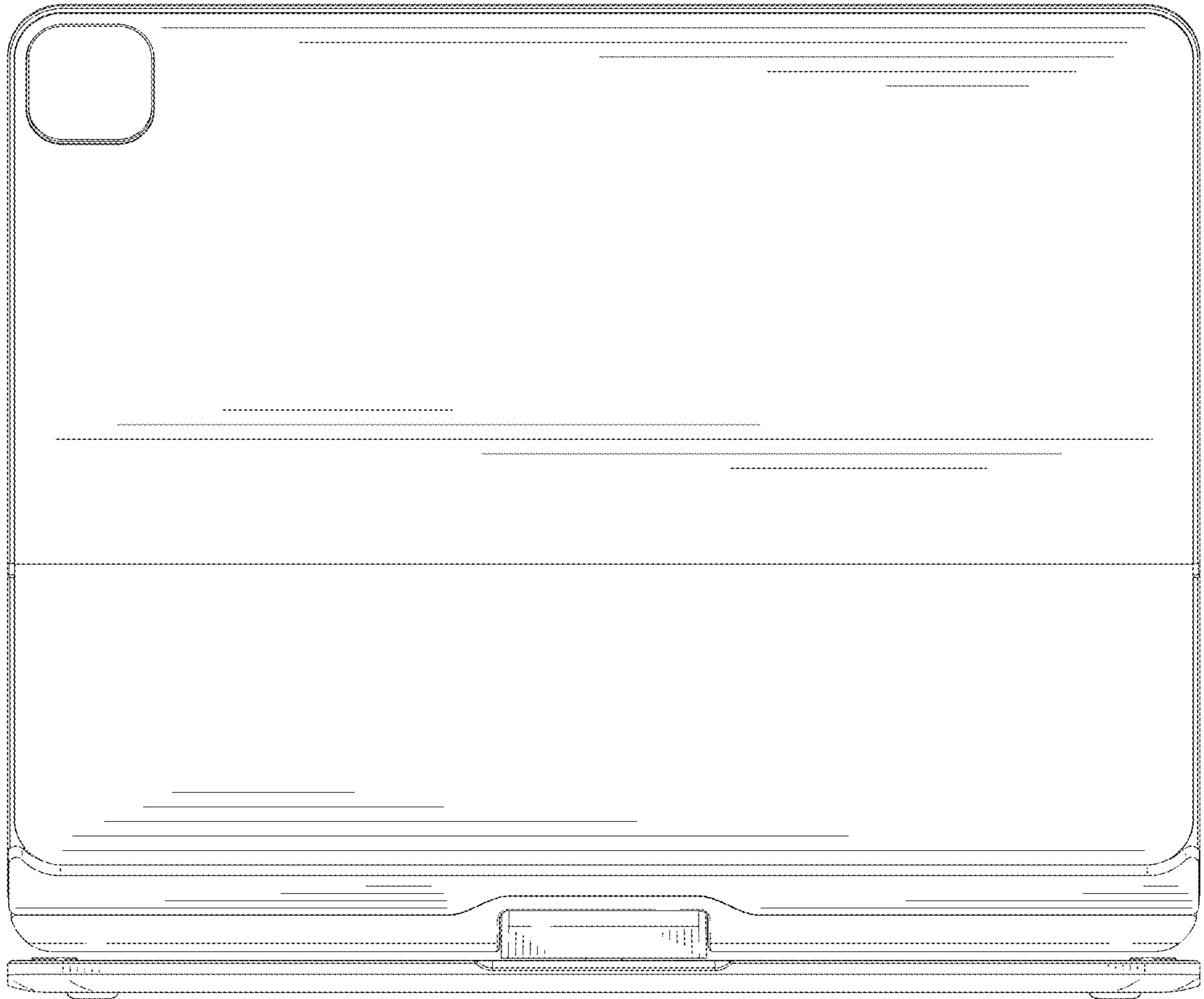


FIG. 3

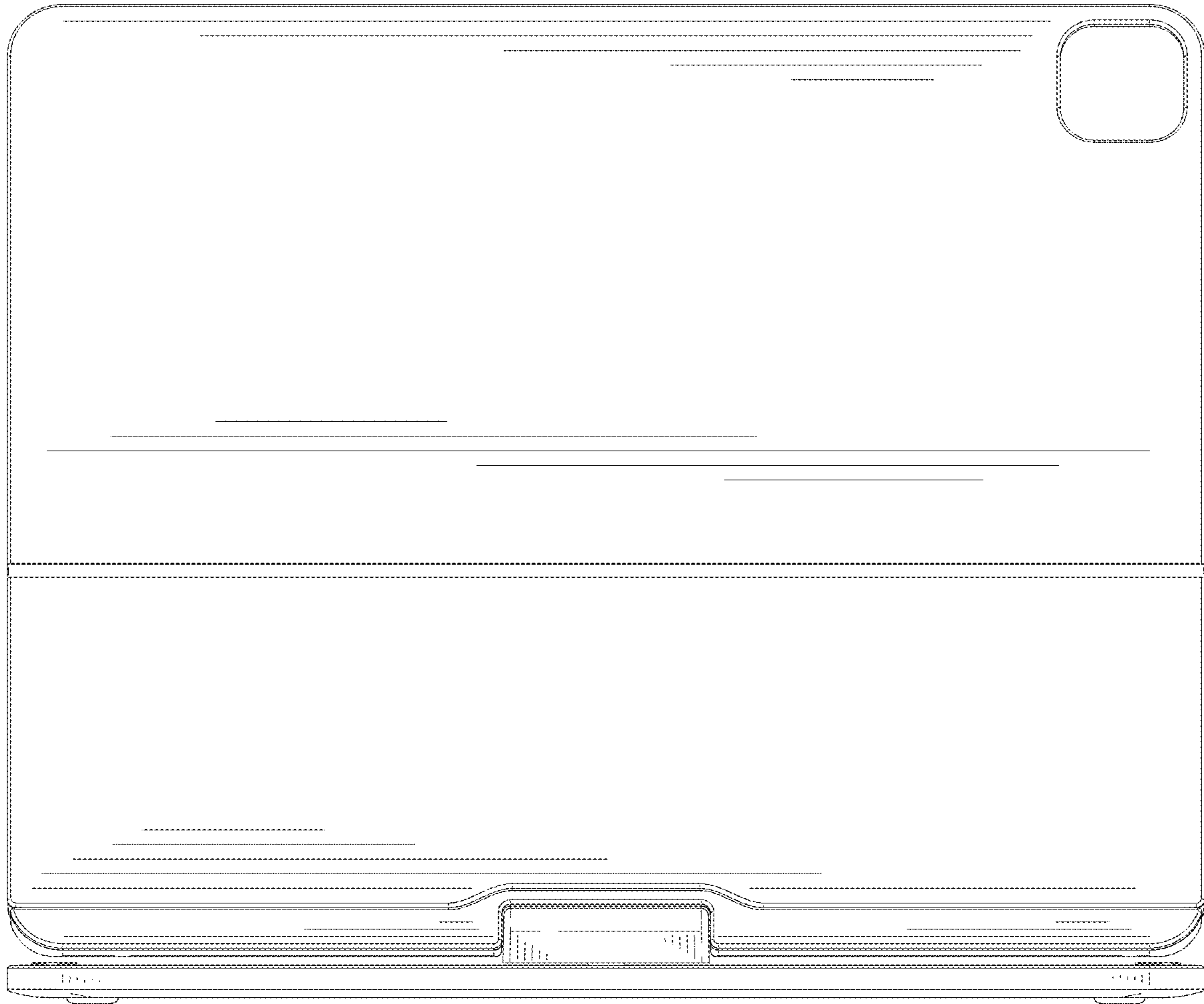


FIG. 4



FIG. 5



FIG. 6

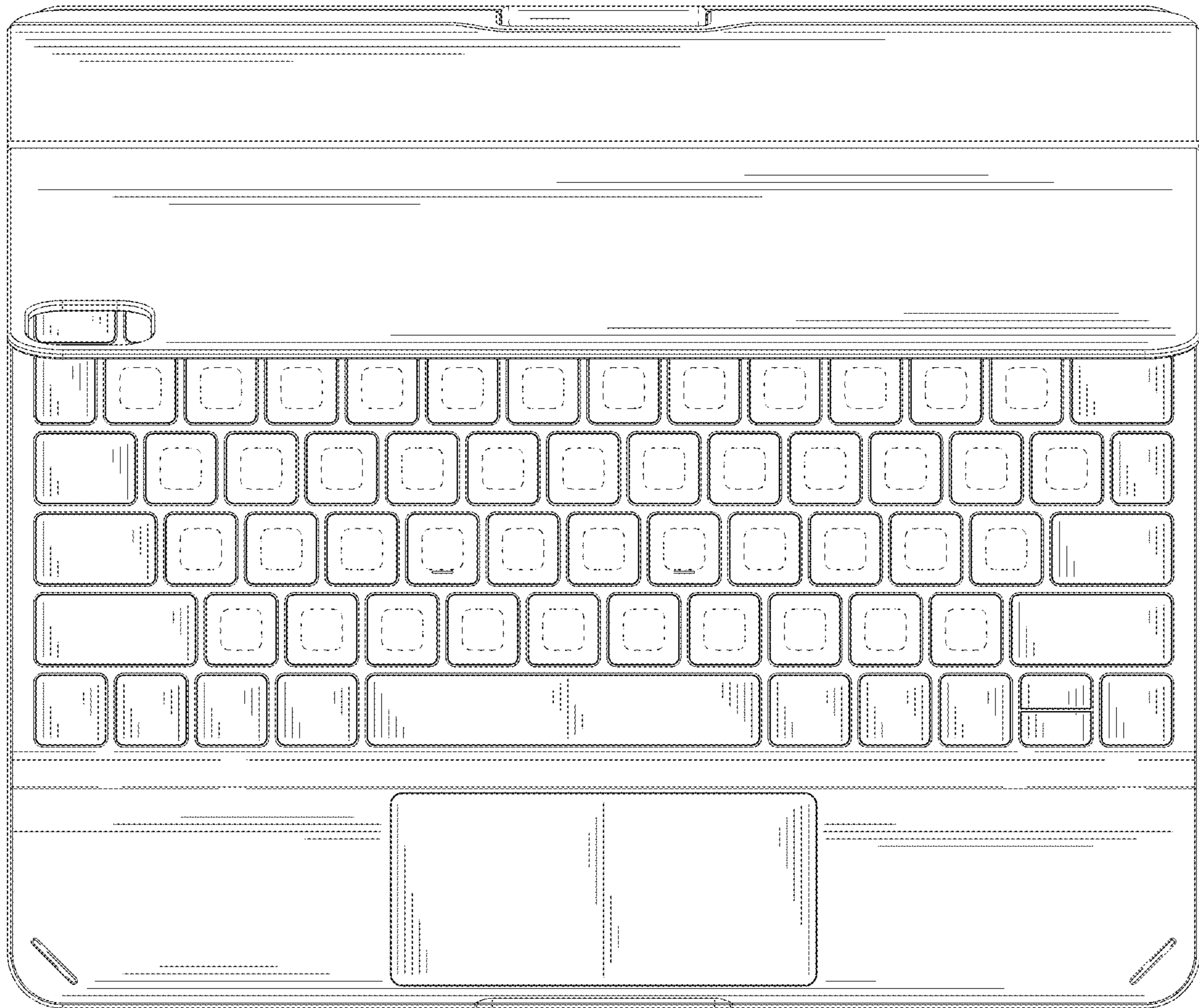


FIG. 7

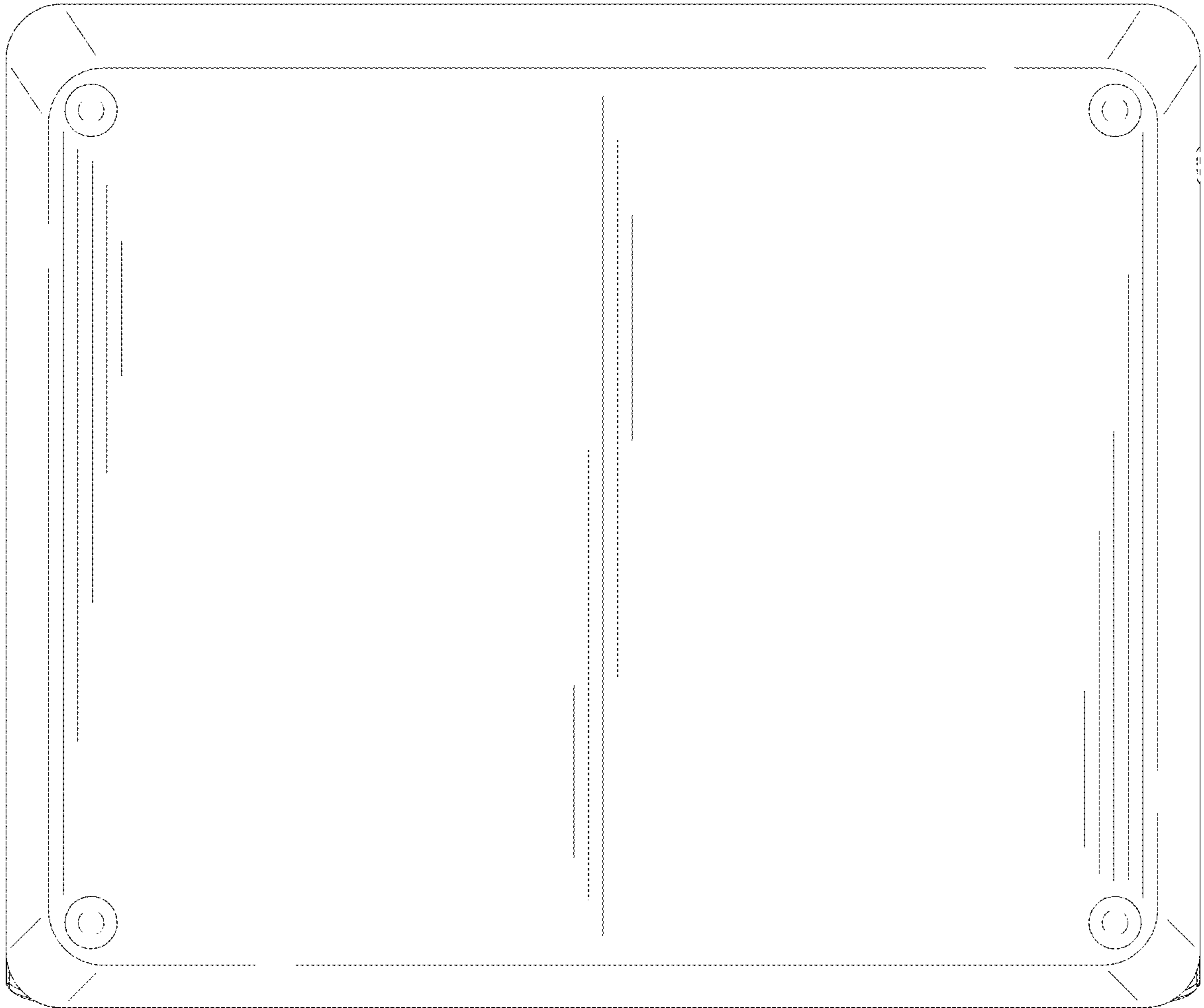


FIG. 8

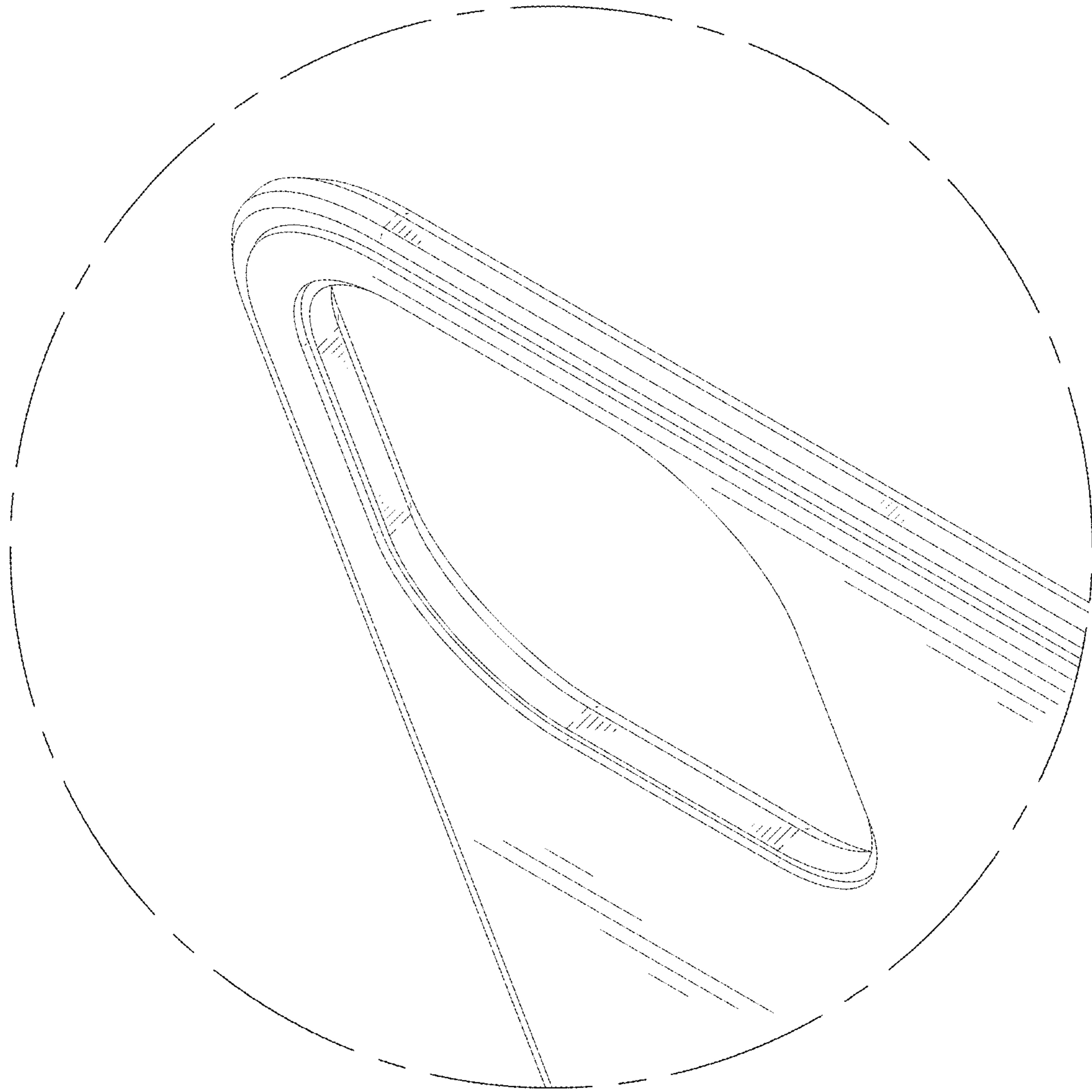


FIG. 9

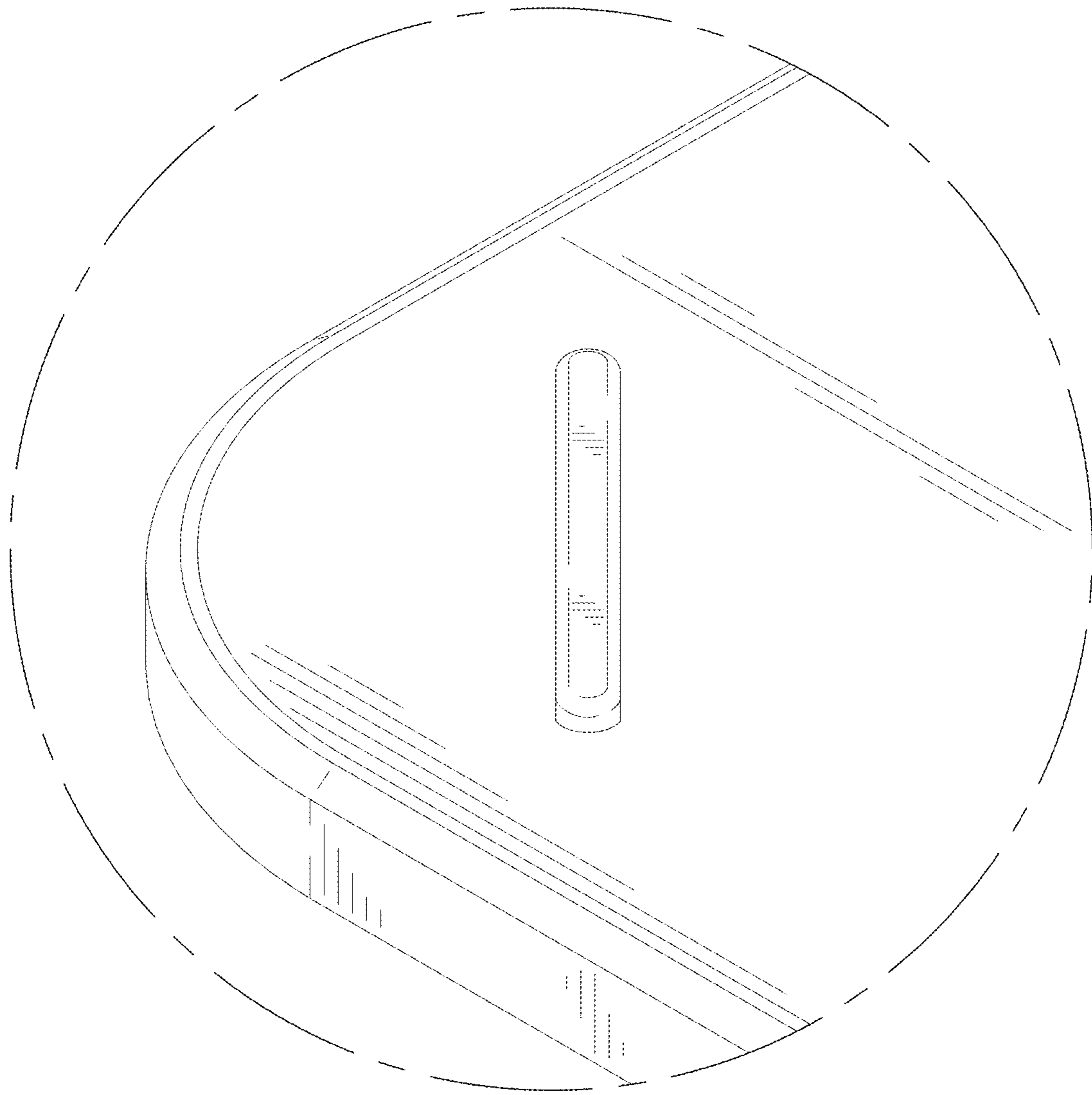


FIG. 10

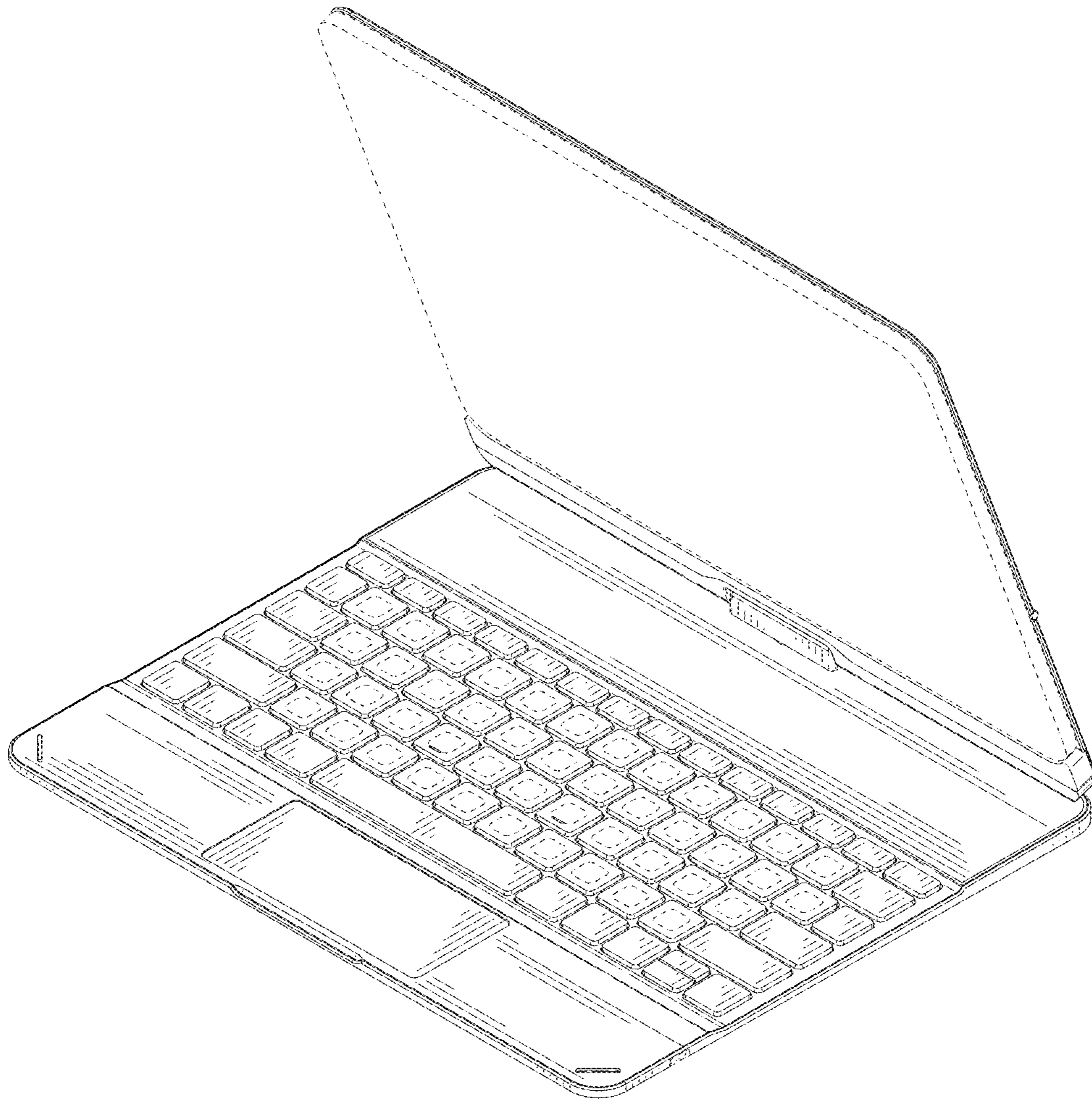


FIG. 11

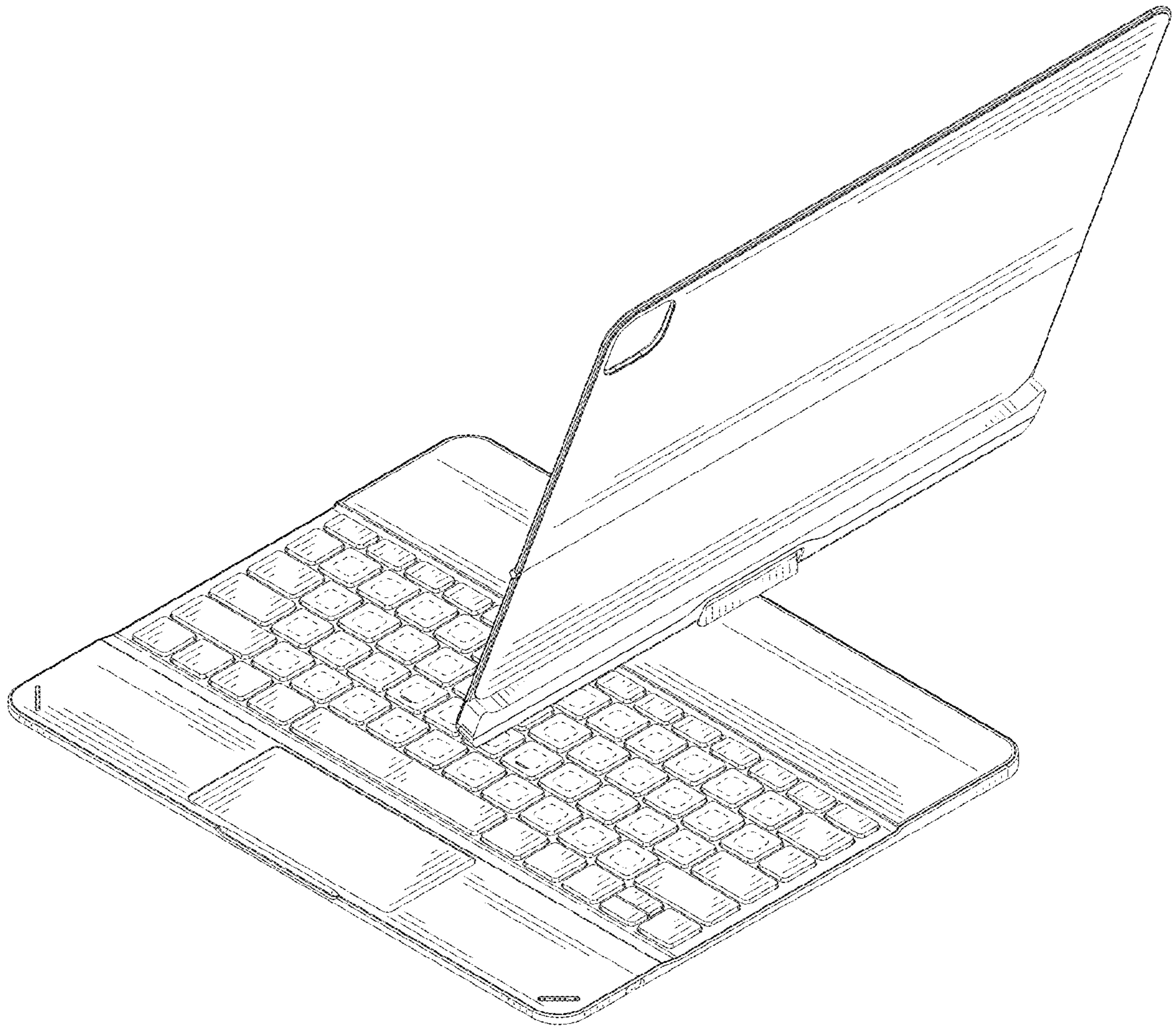


FIG. 12

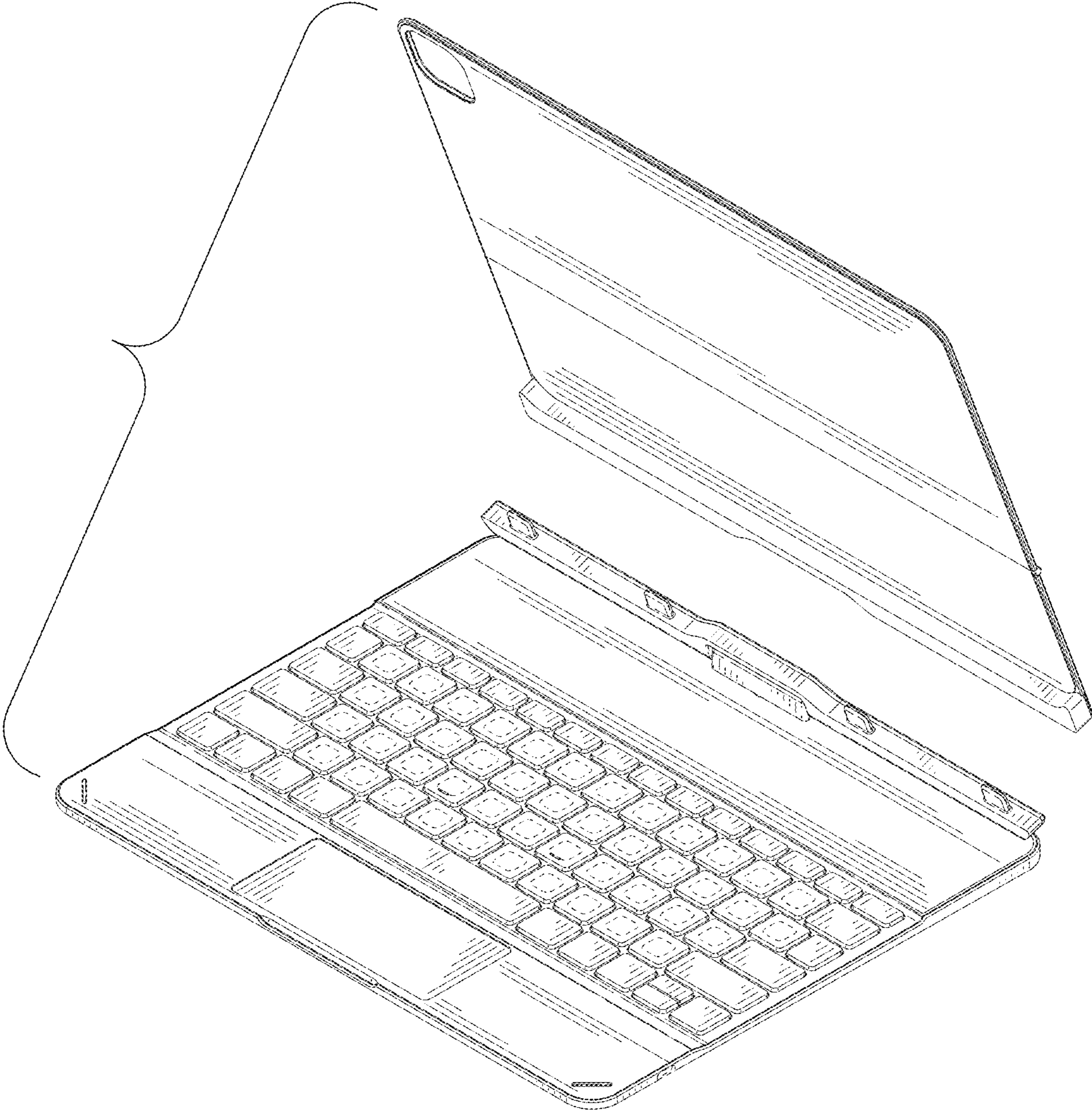


FIG. 13

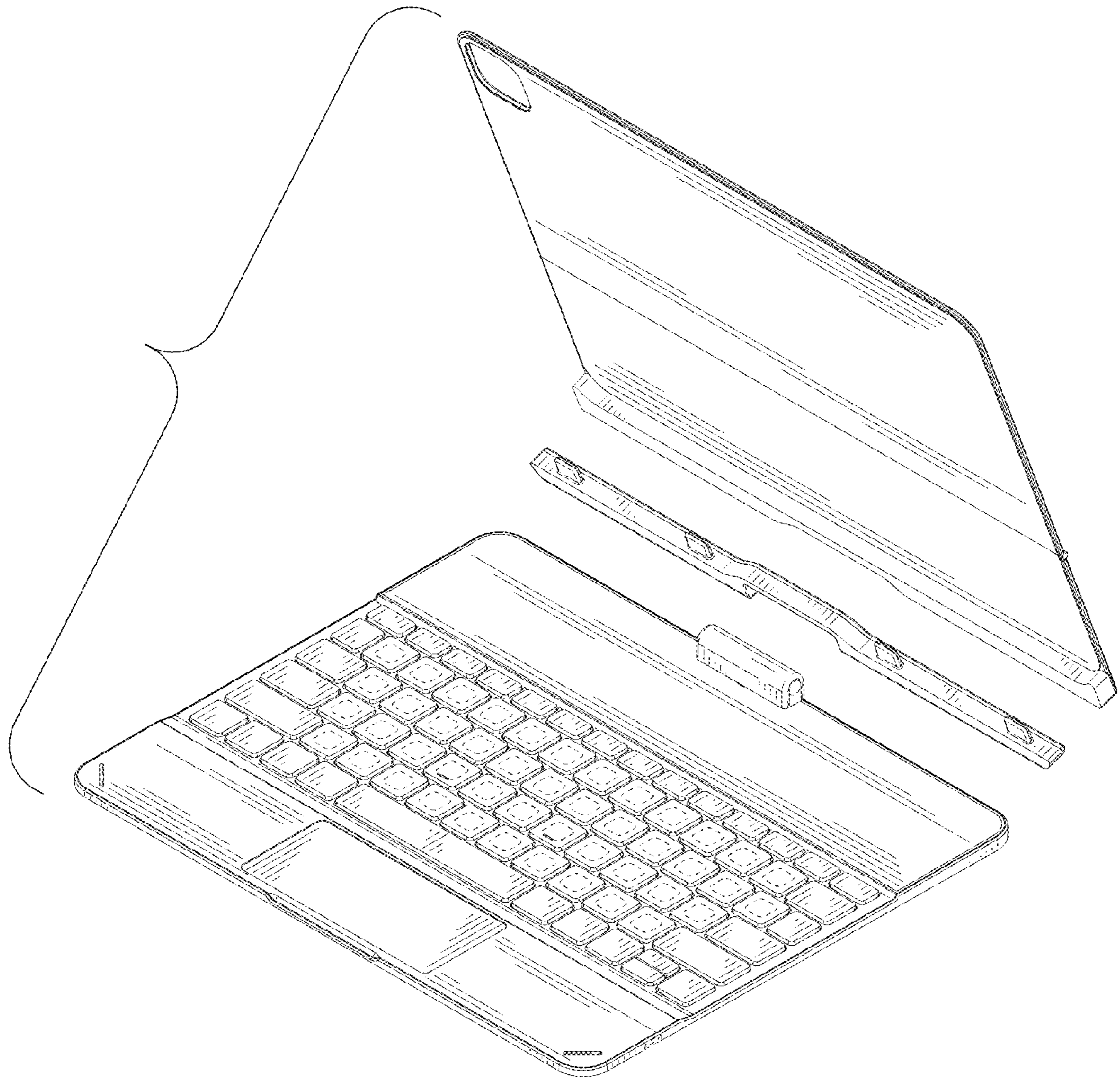


FIG. 14

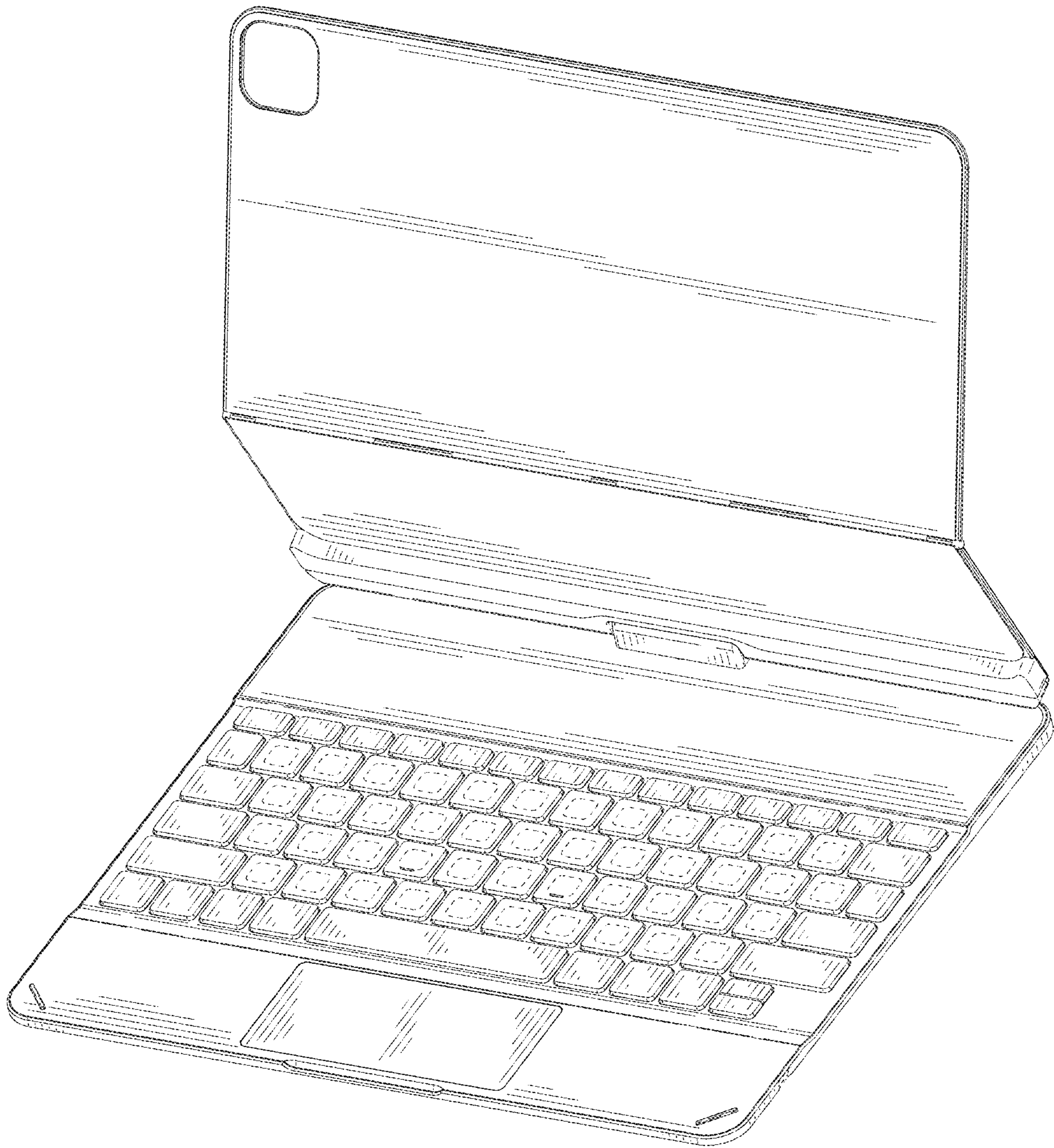


FIG. 15

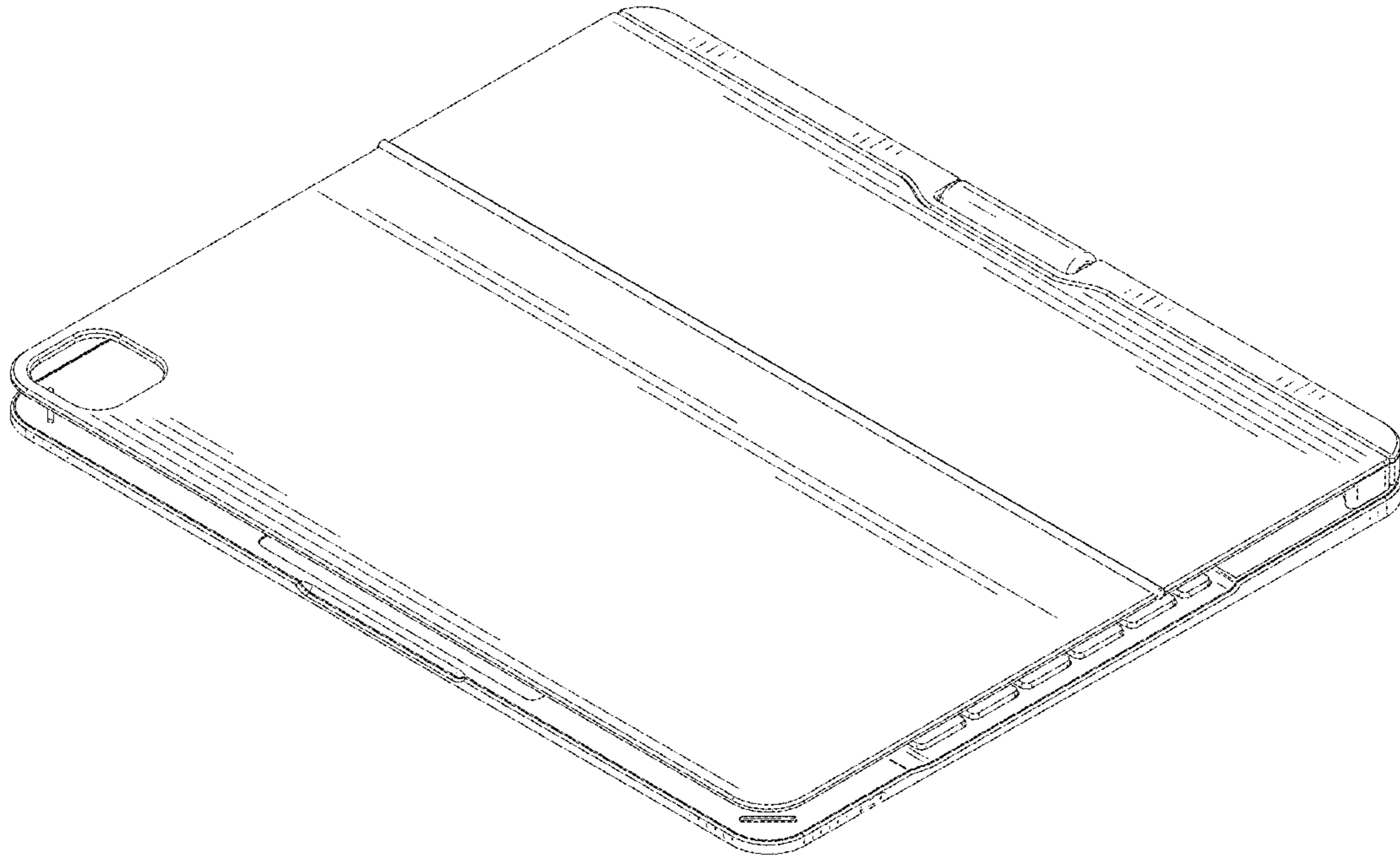


FIG. 16