



US00D983796S

(12) **United States Design Patent**  
**Zeng**

(10) **Patent No.:** **US D983,796 S**

(45) **Date of Patent:** **\*\* Apr. 18, 2023**

(54) **DATA CABLE**

(71) Applicant: **Jiaqing Zeng**, Qinzhou (CN)

(72) Inventor: **Jiaqing Zeng**, Qinzhou (CN)

(\*\*) Term: **15 Years**

(21) Appl. No.: **29/870,005**

(22) Filed: **Jan. 13, 2023**

(51) **LOC (14) Cl.** ..... **14-02**

(52) **U.S. Cl.**  
USPC ..... **D14/433**

(58) **Field of Classification Search**  
USPC ..... D14/240, 242, 356, 358, 363, 365, 367,  
D14/370, 432-437, 439, 498, 125, 366,  
D14/168, 496; D13/147, 164, 123, 133,  
D13/146, 110, 199, 103, 162, 159, 160,  
D13/184; 361/683, 684, 686, 724, 735,  
361/737, 752; D18/40  
CPC .... H01R 25/006; H01R 27/02; H01R 31/005;  
G06F 13/4022; G06F 13/382; G06F  
1/1632; G06F 1/1684; G06F 1/20; G06F  
1/1607  
See application file for complete search history.

(56) **References Cited**

**U.S. PATENT DOCUMENTS**

D711,383 S *	8/2014	Lam	.....	D14/433
D867,367 S *	11/2019	Wang	.....	D14/433
D872,090 S *	1/2020	Widiaman	.....	D14/433
D877,083 S	3/2020	Wu		
D900,789 S *	11/2020	Chen	.....	D14/218
D906,979 S *	1/2021	Chen	.....	D13/146
D907,042 S *	1/2021	Zhang	.....	D14/433

D918,916 S *	5/2021	He	.....	D13/153
D920,252 S *	5/2021	Liu	.....	D13/133
D925,458 S *	7/2021	Chen	.....	D13/137.2
D935,418 S *	11/2021	Zhang	.....	D14/433

\* cited by examiner

*Primary Examiner* — Austin Murphy

(57) **CLAIM**

The ornamental design for a data cable, as shown and described.

**DESCRIPTION**

FIG. 1 is a front, right and bottom perspective view of a data cable showing my new design;  
FIG. 2 is a rear, left and top perspective view thereof;  
FIG. 3 is a front view thereof;  
FIG. 4 is a rear view thereof;  
FIG. 5 is a left side view thereof;  
FIG. 6 is a right side view thereof;  
FIG. 7 is a top plan view thereof;  
FIG. 8 is a bottom plan view thereof;  
FIG. 9 is an enlarged partial view of FIG. 1;  
FIG. 10 is an enlarged partial view of FIG. 2;  
FIG. 11 is an enlarged partial view of FIG. 5; and,  
FIG. 12 is an enlarged partial view of FIG. 7.  
The broken lines in the figures illustrate portions of the data cable that form no part of the claimed design; The data cable is shown with a symbolic break in its length. The appearance of any portion of the article between the break lines forms no part of the claimed design.

**1 Claim, 12 Drawing Sheets**



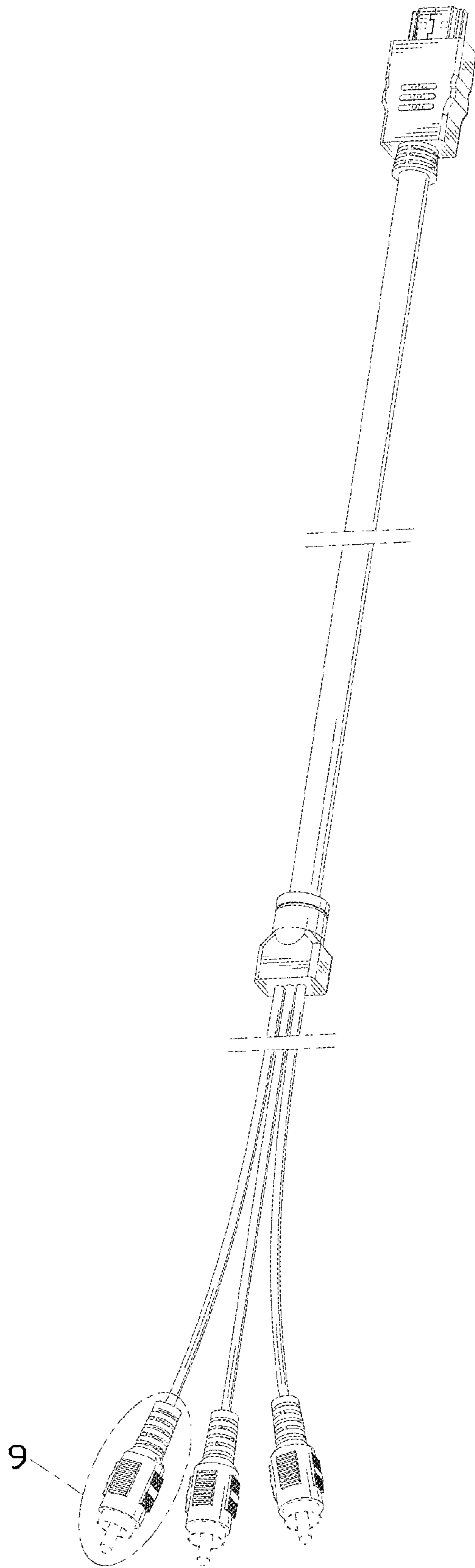


FIG. 1

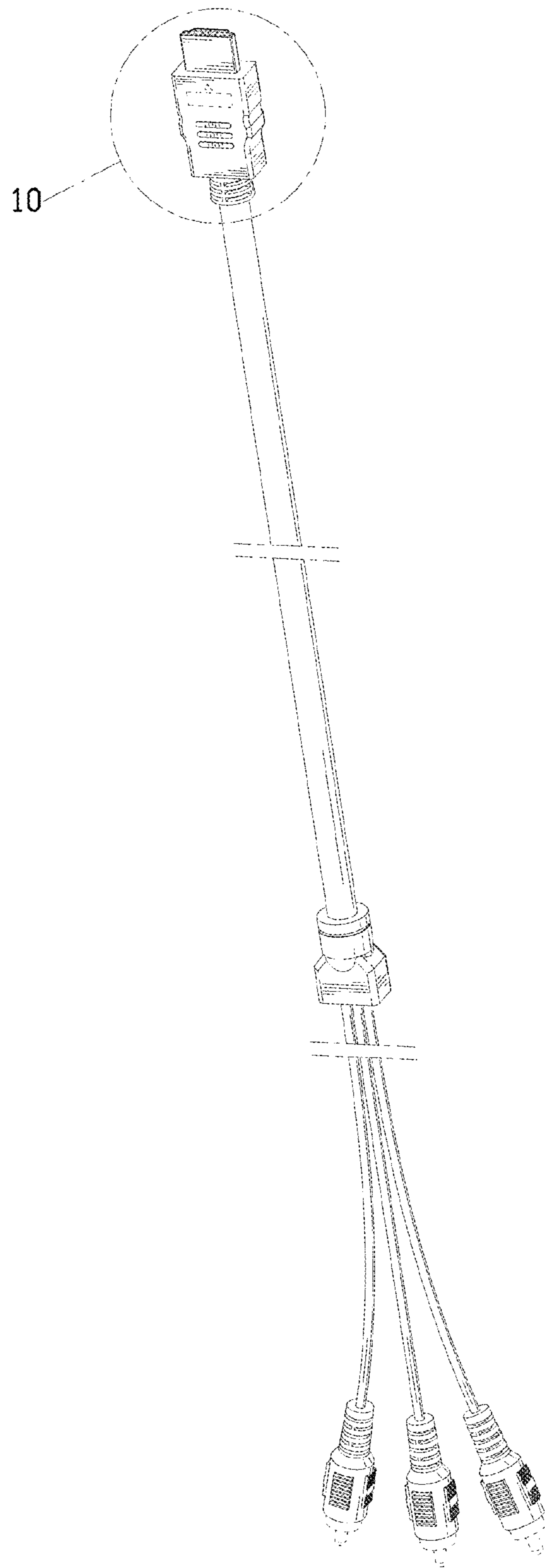


FIG. 2

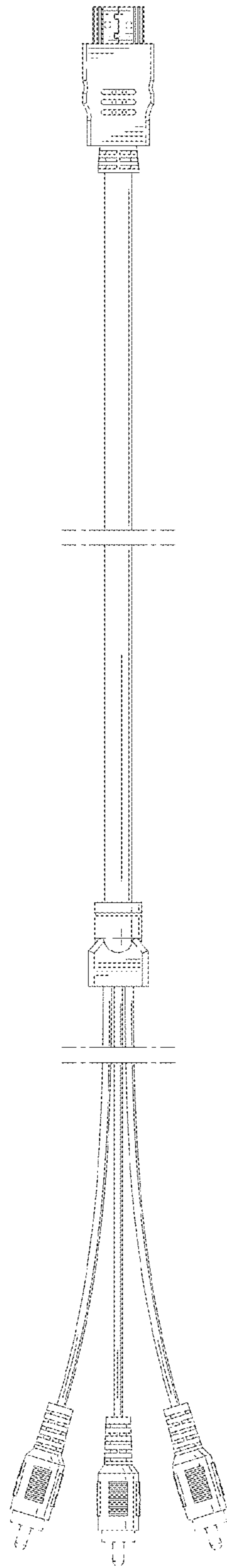


FIG. 3

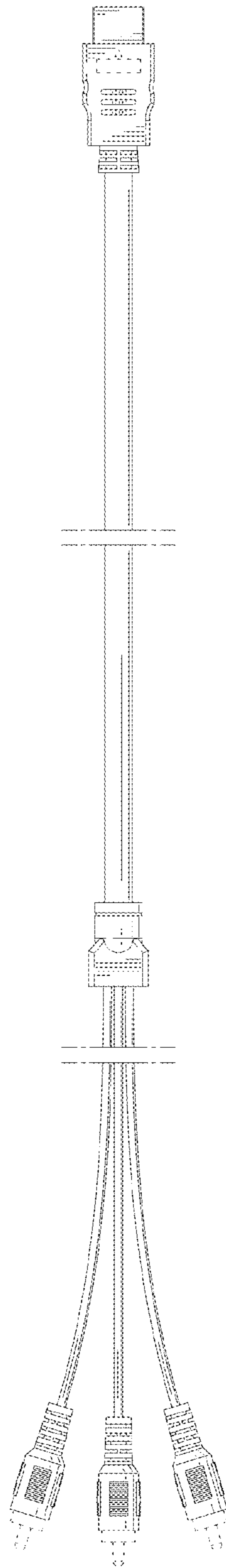


FIG. 4

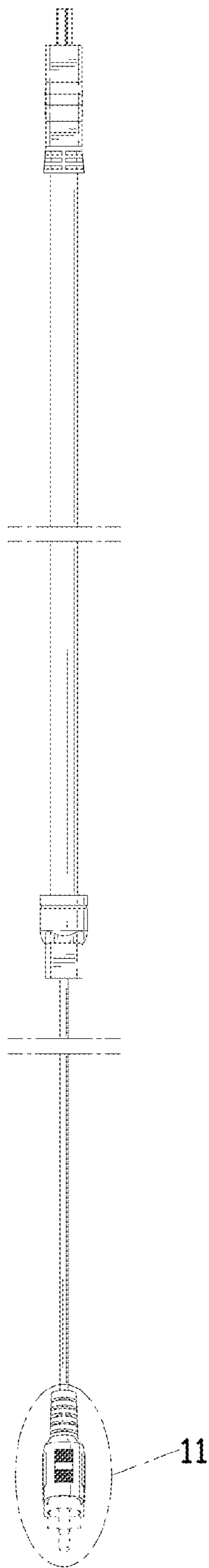


FIG. 5

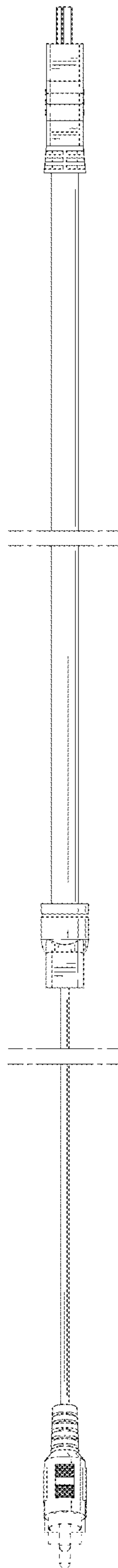


FIG. 6

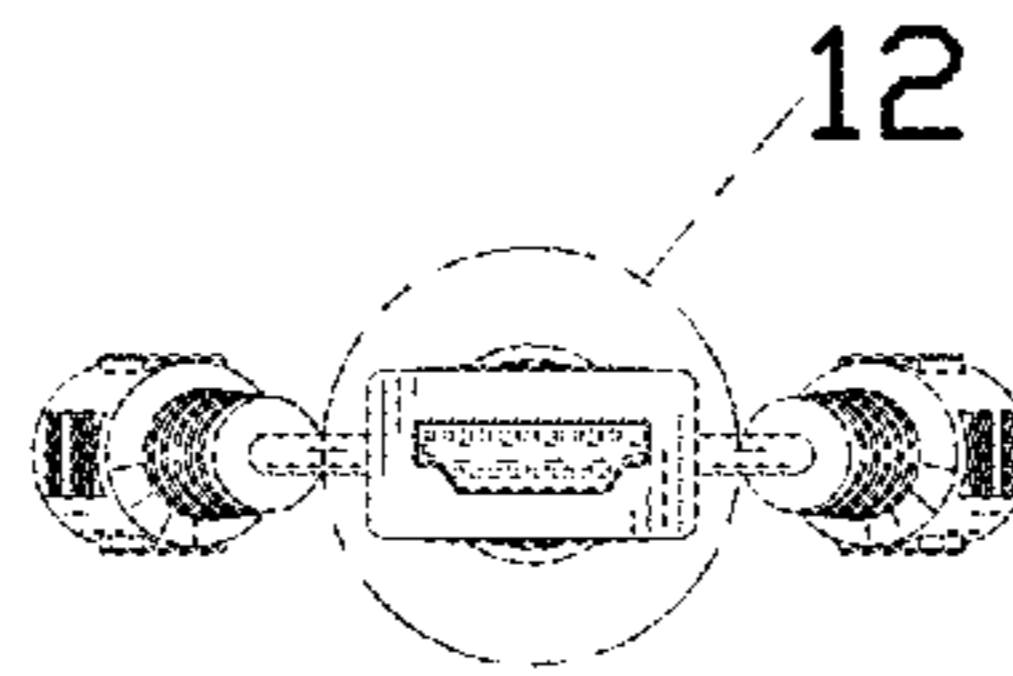


FIG. 7



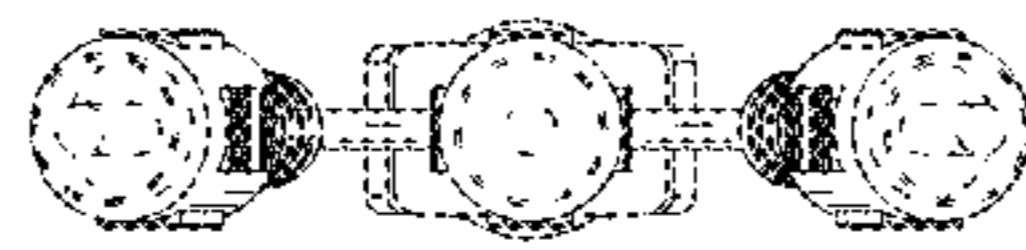


FIG. 8

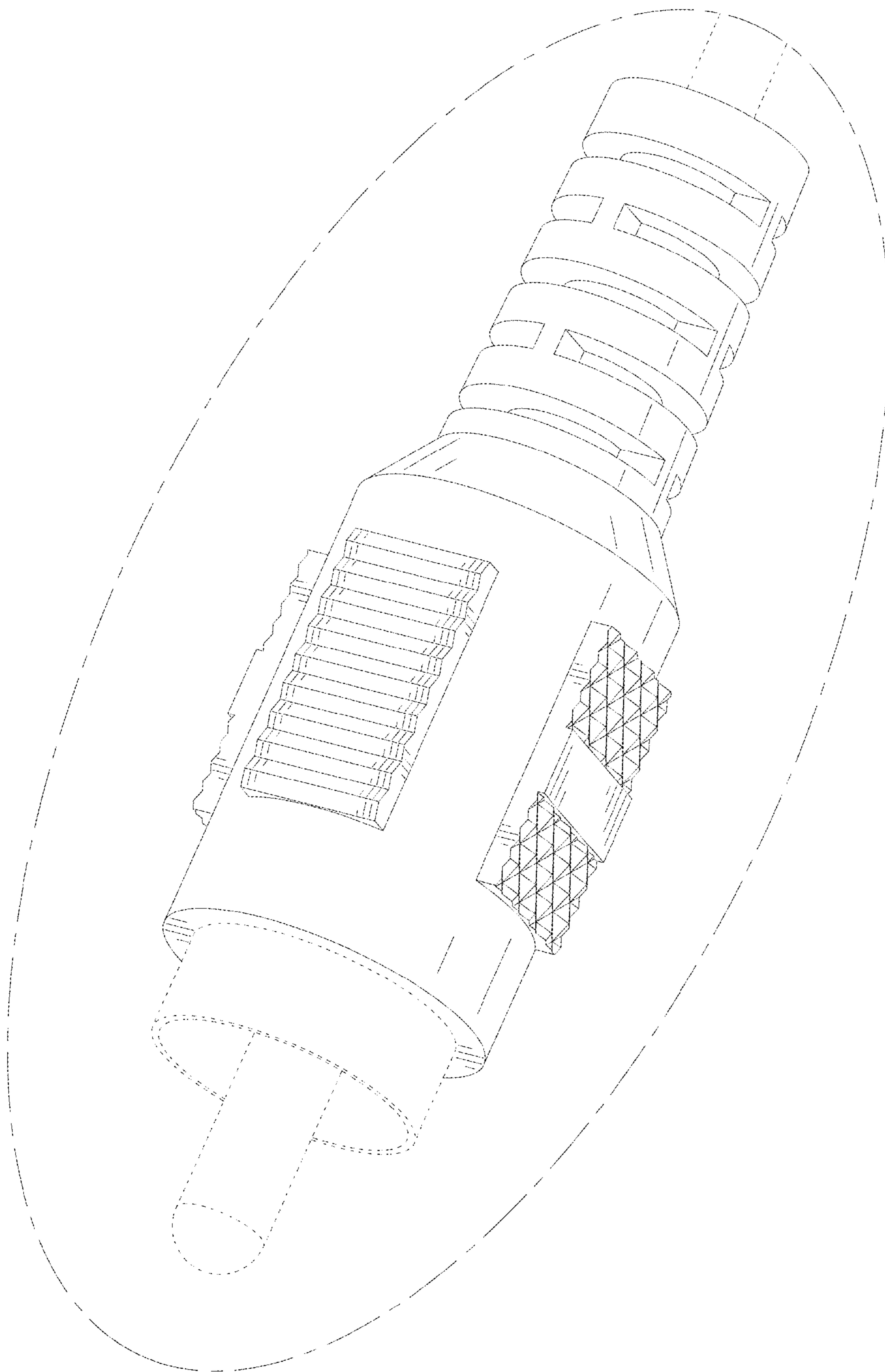


FIG. 9

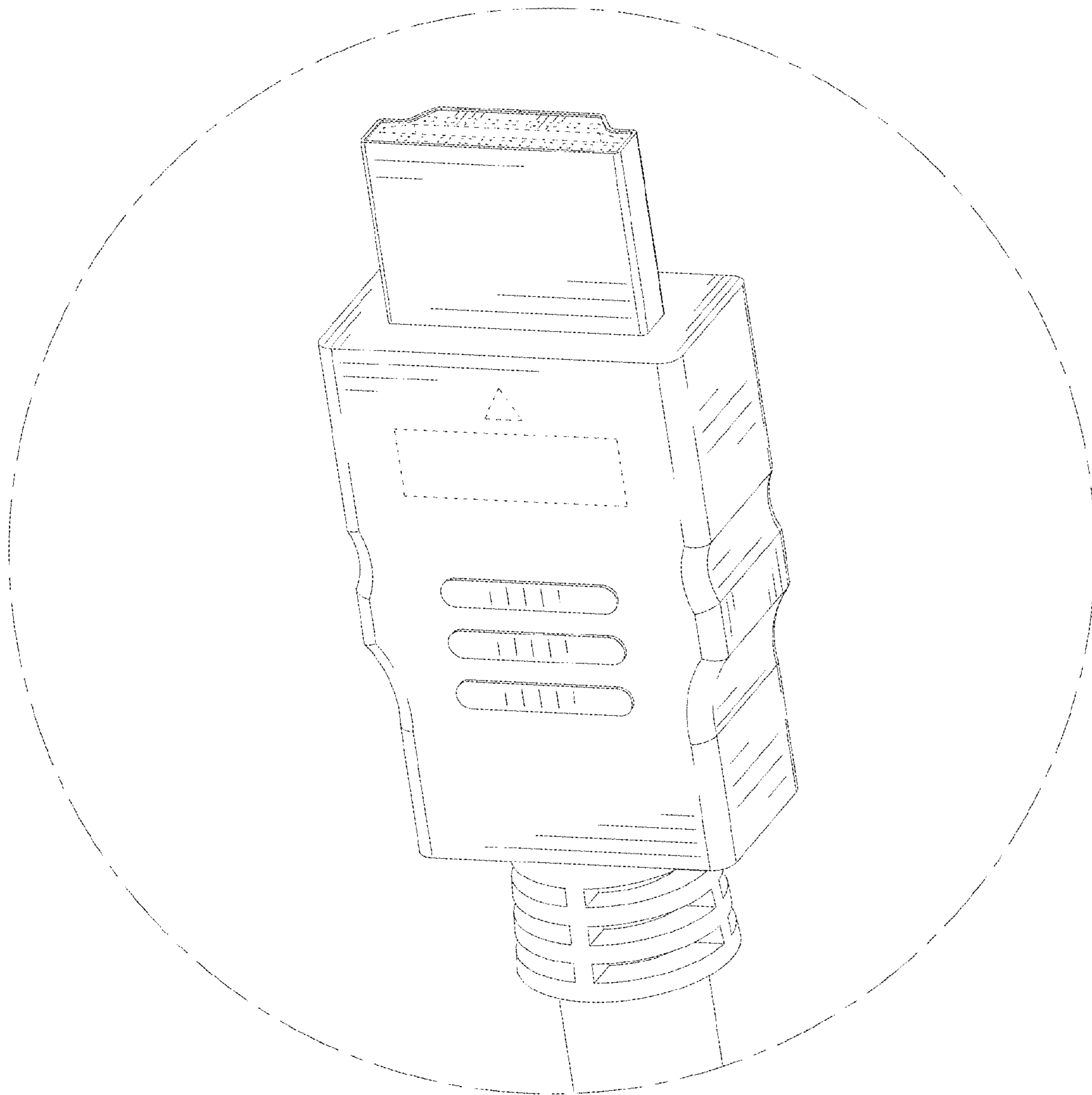


FIG. 10

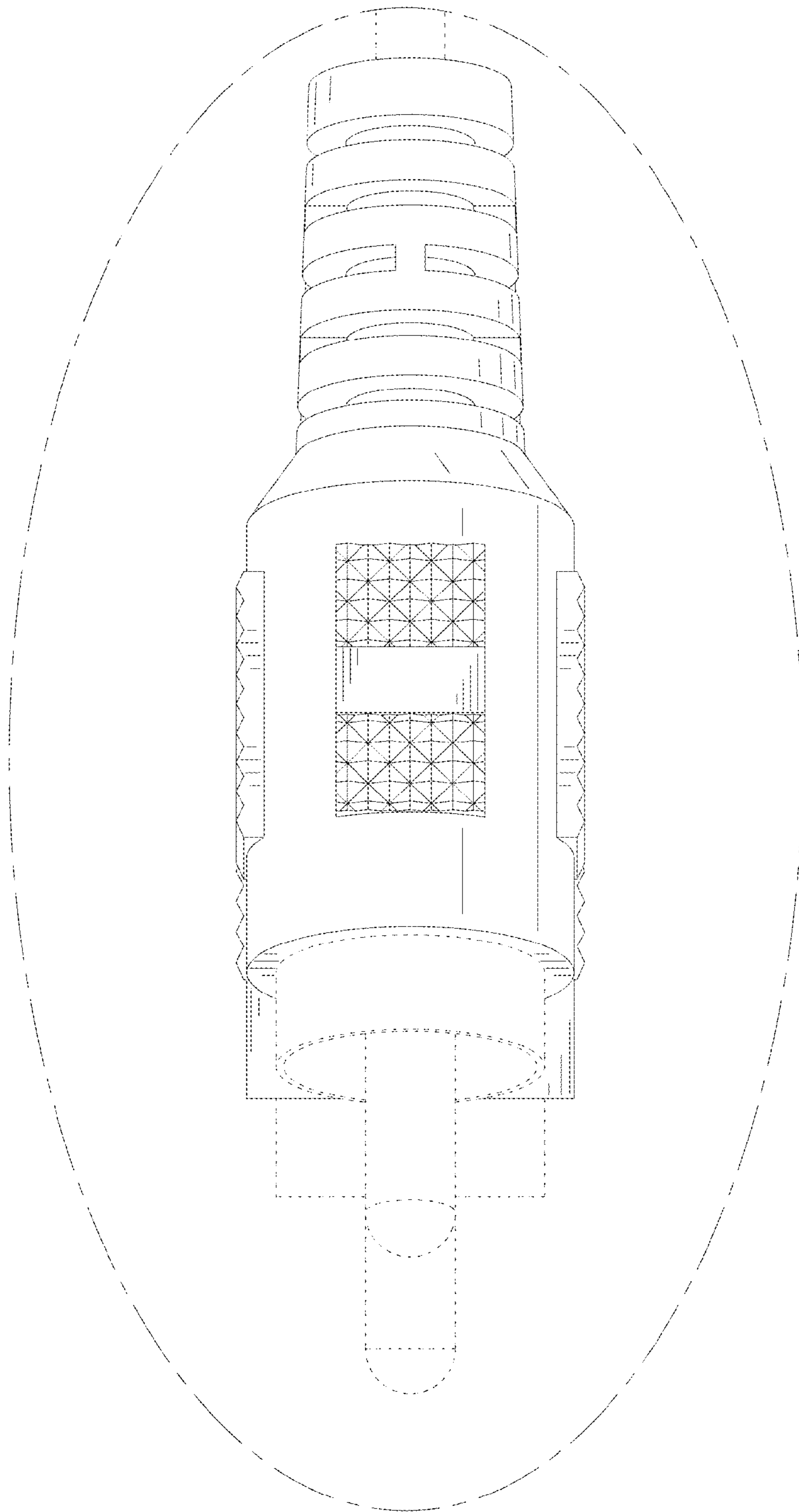


FIG. 11

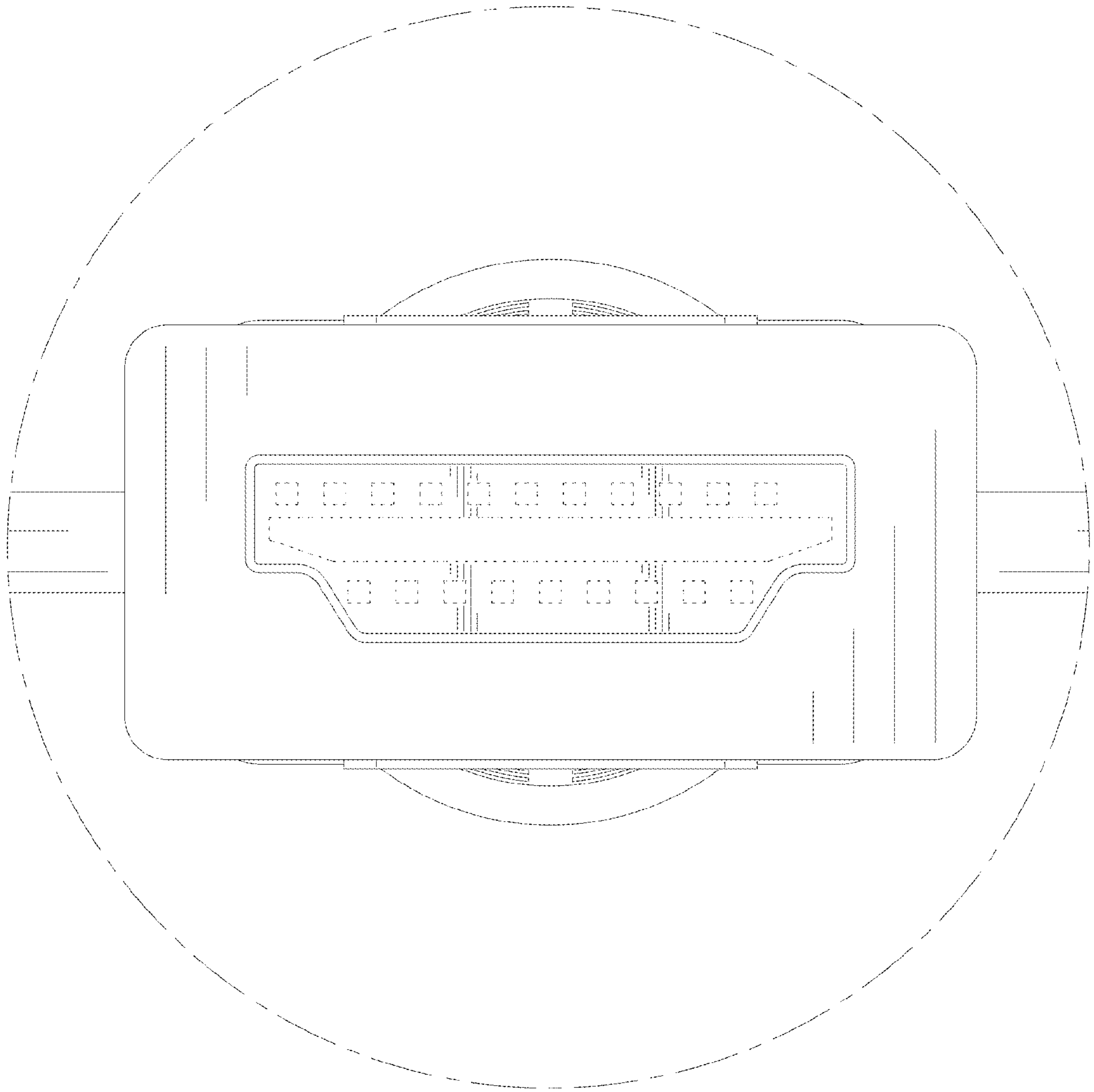


FIG. 12