



US00D983794S

(12) **United States Design Patent** (10) **Patent No.:** **US D983,794 S**
Cai (45) **Date of Patent:** **** Apr. 18, 2023**

(54) **DATA CABLE**

(71) Applicant: **Shenzhen Chongzheng Industrial Co., Ltd, Shenzhen (CN)**

(72) Inventor: **Yehui Cai, Shenzhen (CN)**

(73) Assignee: **Shenzhen Chongzheng Industrial Co., Ltd, Shenzhen (CN)**

(**) Term: **15 Years**

(21) Appl. No.: **29/854,145**

(22) Filed: **Sep. 22, 2022**

(30) **Foreign Application Priority Data**

Sep. 9, 2022 (CN) 202230599841.4

(51) **LOC (14) Cl.** **14-02**

(52) **U.S. Cl.**
USPC **D14/433**

(58) **Field of Classification Search**
USPC 361/683, 684, 686, 724, 735, 737, 752;
D18/40; D13/103, 110, 123, 133, 146,
D13/147, 159, 160, 162, 164, 184, 199,
D13/139.8, 153; D14/125, 168, 240, 242,
D14/356, 358, 363, 365, 366, 367, 370,
D14/432, 434, 435, 435.1, 436, 437, 439,
D14/496, 498, 433
CPC H01R 25/006; H01R 27/02; H01R 31/005;
G06F 13/4022; G06F 13/328; G06F
1/1632; G06F 1/1684; G06F 1/20; G06F
1/1607

See application file for complete search history.

(56) **References Cited**

U.S. PATENT DOCUMENTS

D416,233 S * 11/1999 Tsai D13/153
D416,542 S * 11/1999 Tsai D13/153
D425,860 S * 5/2000 Goto D13/133

D549,660 S * 8/2007 Zenri D13/154
D563,899 S * 3/2008 Goetz D13/154
D604,251 S * 11/2009 Hwang D13/154
D644,181 S * 8/2011 Hu D13/147
D644,611 S * 9/2011 Sasaki D13/147
D675,572 S * 2/2013 Arai D13/147
D709,504 S * 7/2014 Breines D14/433
D784,931 S * 4/2017 Fries D13/153
D793,962 S * 8/2017 Vandiver D13/153
D800,731 S * 10/2017 He D14/433
D810,748 S * 2/2018 Zhang D14/433
D813,819 S * 3/2018 Esses D13/147
D832,263 S * 10/2018 Chen D14/433
D832,793 S * 11/2018 Vandiver D13/153
D851,047 S * 6/2019 Zhang D13/153
D887,990 S 6/2020 Wang
D895,624 S * 9/2020 Liao D14/433
D898,032 S * 10/2020 Yuan D13/153
D900,754 S * 11/2020 Fu D13/153
D901,505 S 11/2020 Chen

(Continued)

Primary Examiner — Carla J Wright

(74) *Attorney, Agent, or Firm* — Jeenam Park

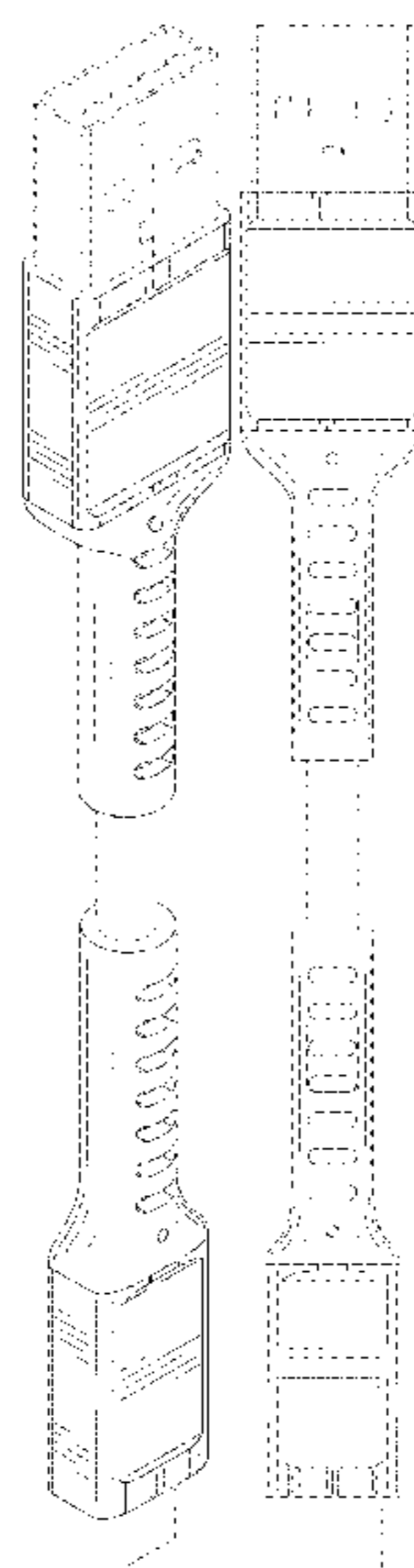
(57) **CLAIM**

The ornamental design for a data cable, as shown and described.

DESCRIPTION

FIG. 1 is a front, left and top perspective view of a data cable, showing my new design;
FIG. 2 is a front view thereof;
FIG. 3 is a rear view thereof;
FIG. 4 is a left side view thereof;
FIG. 5 is a right side view thereof;
FIG. 6 is a top plan view thereof shown on an enlarged scale for clarity of disclosure; and,
FIG. 7 is a bottom plan view thereof shown on an enlarged scale for clarity of disclosure.
The broken lines shown in the drawings illustrate portions of the data cable that form no part of the claimed design.

1 Claim, 7 Drawing Sheets



(56)

References Cited

U.S. PATENT DOCUMENTS

D908,705	S	*	1/2021	Wu	D14/433
D918,916	S	*	5/2021	He	D13/153
D925,464	S	*	7/2021	Seo	D13/153
D931,858	S	*	9/2021	Zhang	D14/433
D935,418	S	*	11/2021	Zhang	D14/433
D948,513	S	*	4/2022	Li	D13/153
D956,697	S	*	7/2022	Zhang	D13/147
2014/0332268	A1	*	11/2014	Wu	H01B 11/1008 174/74 R
2016/0149348	A1	*	5/2016	Kao	H01R 24/60 439/607.05
2016/0322756	A1	*	11/2016	Tsai	H01R 24/60
2017/0085041	A1	*	3/2017	Zhang	H01R 13/7175
2018/0138639	A1	*	5/2018	Lee	H01R 24/60

* cited by examiner

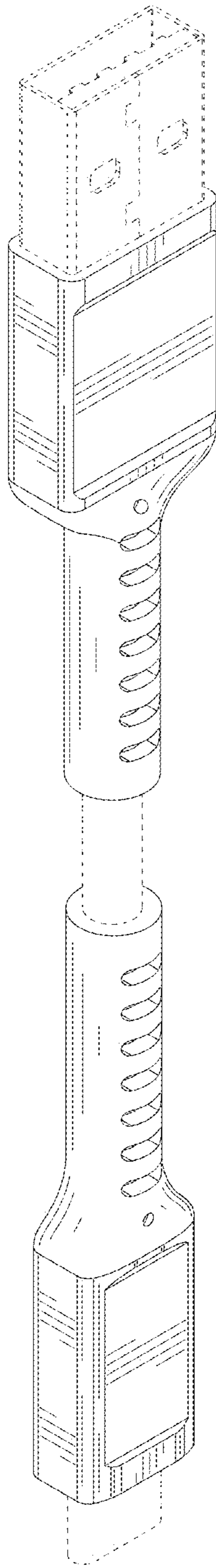


FIG. 1

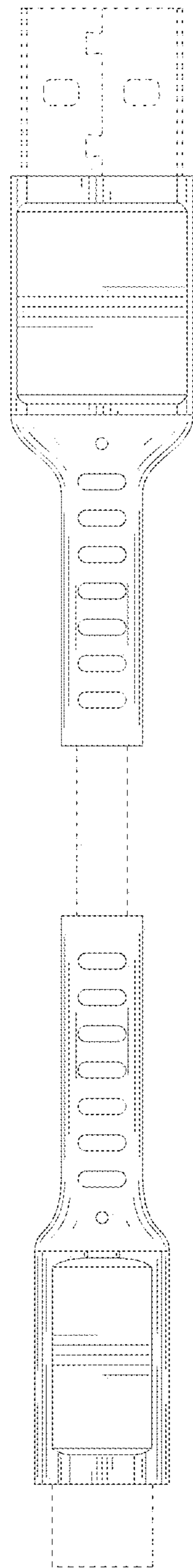


FIG.2

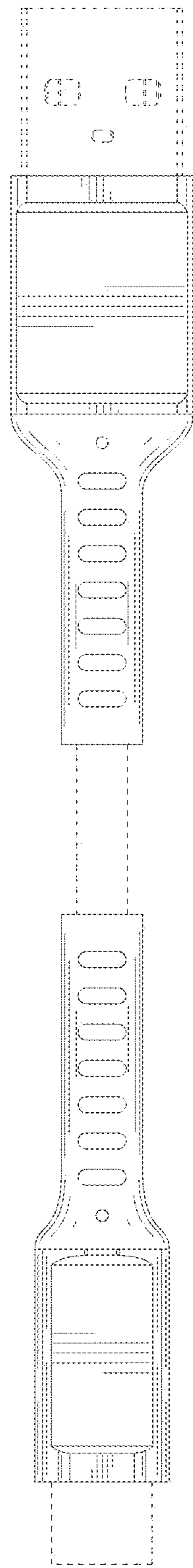


FIG. 3

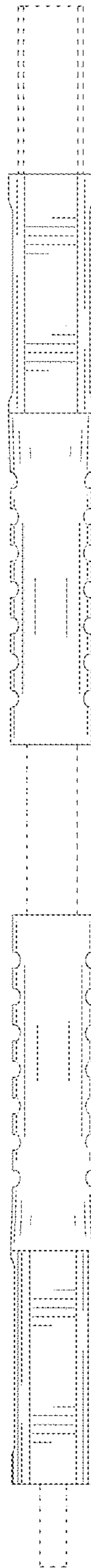


FIG.4

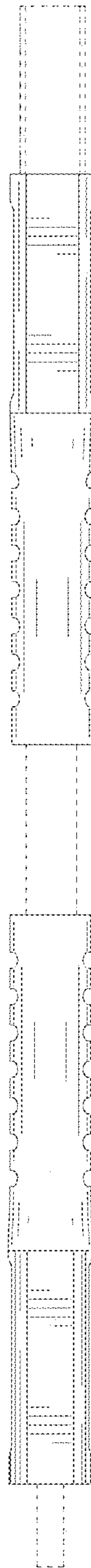


FIG. 5

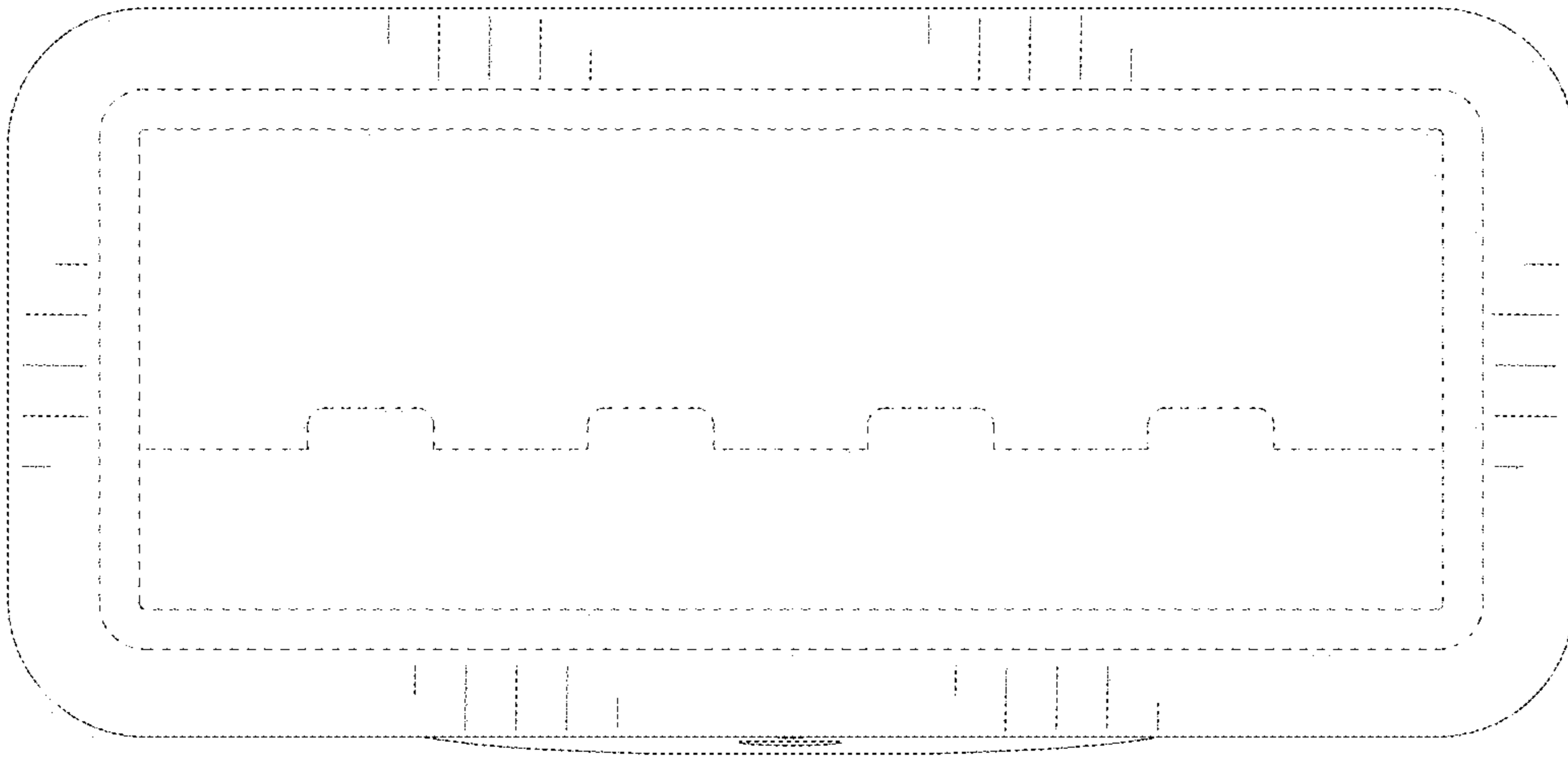


FIG. 6

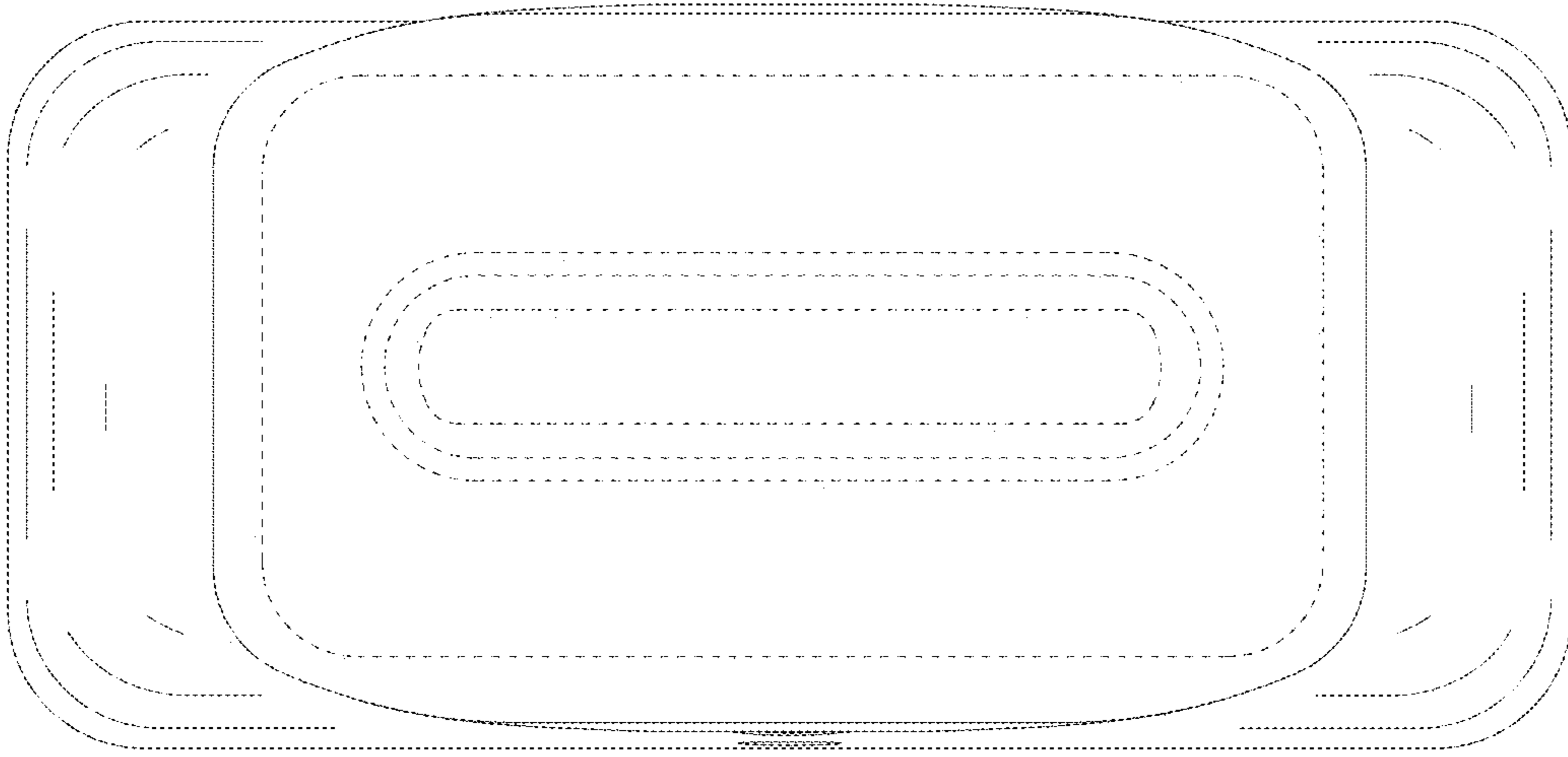


FIG. 7