



US00D983790S

(12) **United States Design Patent**
Wang

(10) **Patent No.:** **US D983,790 S**
(45) **Date of Patent:** **** Apr. 18, 2023**

(54) **KEYBOARD**

(71) Applicant: **SHENZHEN BAIJIAYOUPU TECHNOLOGY CO., LTD.**, Shenzhen (CN)

(72) Inventor: **Xiaogang Wang**, Shenzhen (CN)

(73) Assignee: **SHENZHEN BAIJIAYOUPU TECHNOLOGY CO., LTD.**, Shenzhen (CN)

(**) Term: **15 Years**

(21) Appl. No.: **29/784,268**

(22) Filed: **May 18, 2021**

(51) **LOC (14) Cl.** **14-02**

(52) **U.S. Cl.**
USPC **D14/392**

(58) **Field of Classification Search**
USPC D14/331, 333, 338, 339, 340, 388, 390, D14/391, 392, 393, 394, 395, 396, 398, D14/399, 401, 455, 397, 334, 456; D18/1, 2, 4.2, 4.3, 7, 12, 12.2; D21/324, D21/333; D24/160, 186
CPC A47B 2200/0091; A47B 2200/0093; G06F 3/02; G06F 3/0202; G06F 3/0208; G06F 3/0213; G06F 3/021; G06F 3/0216; G06F 3/0231; G06F 3/0235; G06F 3/0238; H01H 2217/044; H01H 2225/028; H01H 13/84

See application file for complete search history.

(56) **References Cited**

U.S. PATENT DOCUMENTS

D258,957 S * 4/1981 Bevilacqua D14/398
D299,464 S * 1/1989 Shiozawa D18/7
D678,883 S * 3/2013 Lim D14/392
D689,861 S * 9/2013 Robert D14/392
D757,024 S * 5/2016 Bowers et al. D14/455

D771,045 S * 11/2016 Ferguson D14/392
D778,281 S * 2/2017 Rodrigues D14/392
D786,248 S * 5/2017 Roberts D14/392
2009/0167692 A1 * 7/2009 Tan G06F 3/0202
345/173
2010/0039764 A1 * 2/2010 Locker G06F 1/1615
361/679.29
2010/0253634 A1 * 10/2010 Lin G06F 3/0202
345/173
2011/0014947 A1 * 1/2011 Liang G06F 3/02
345/660
2011/0260978 A1 * 10/2011 Larsen G06F 3/0238
345/168

(Continued)

FOREIGN PATENT DOCUMENTS

CN 111290591 A * 6/2020
CN 306105802 * 10/2020
WO WO-2021076436 A1 * 4/2021 G06F 1/1669

Primary Examiner — Marie D. Fast Horse

Assistant Examiner — Josiah D. Parsons

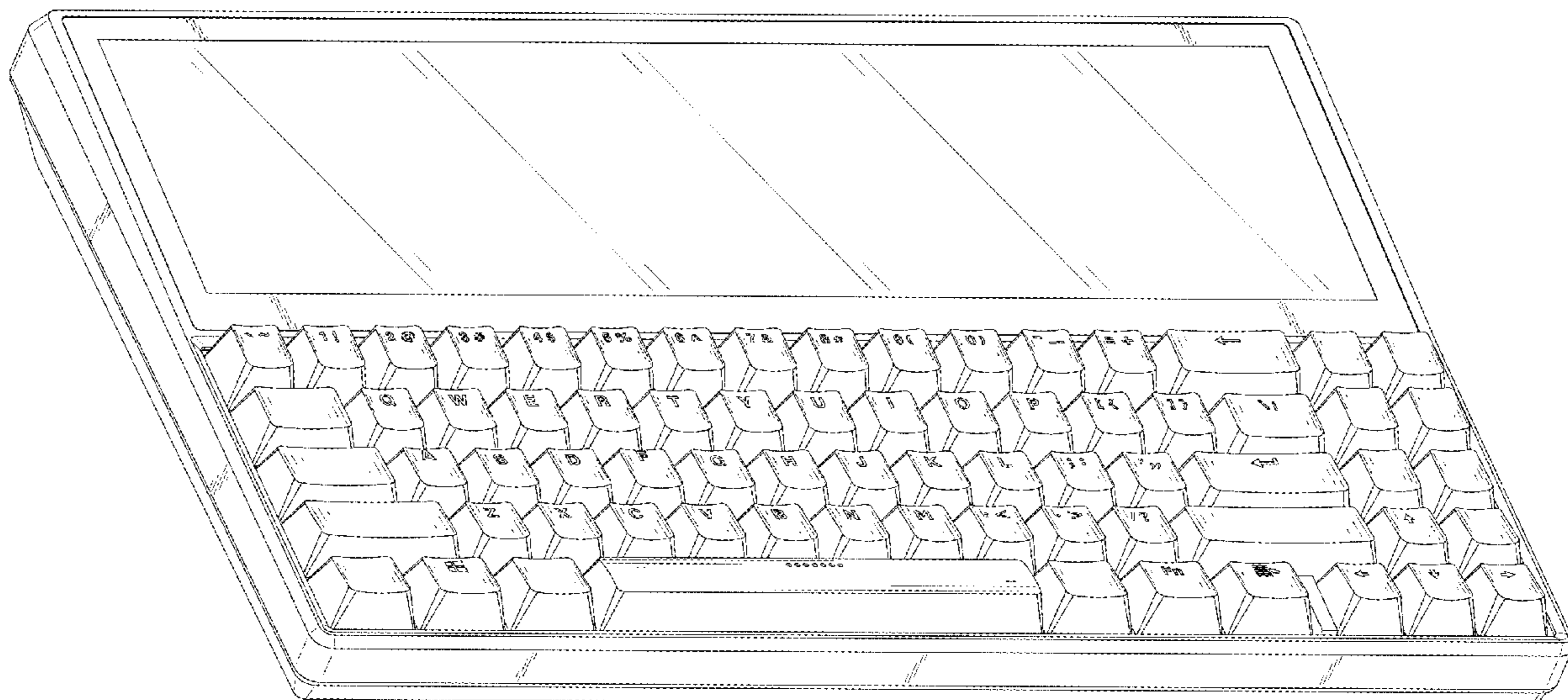
(57) **CLAIM**

The ornamental design for a keyboard, as shown and described.

DESCRIPTION

FIG. 1 is a perspective view of a keyboard showing my new design;
FIG. 2 is another perspective view thereof;
FIG. 3 is a front elevational view thereof;
FIG. 4 is a rear elevational view thereof;
FIG. 5 is a left side elevational view thereof;
FIG. 6 is a right side elevational view thereof;
FIG. 7 is a top plan view thereof;
FIG. 8 is a bottom plan view thereof; and,
FIG. 9 is a perspective view of the keyboard where the keyboard is in a configuration of use.
The broken lines in the drawings depict portions of the keyboard that form no part of the claimed design.

1 Claim, 9 Drawing Sheets



(56)

References Cited

U.S. PATENT DOCUMENTS

2014/0168083 A1* 6/2014 Ellard G06F 3/041
345/168

* cited by examiner

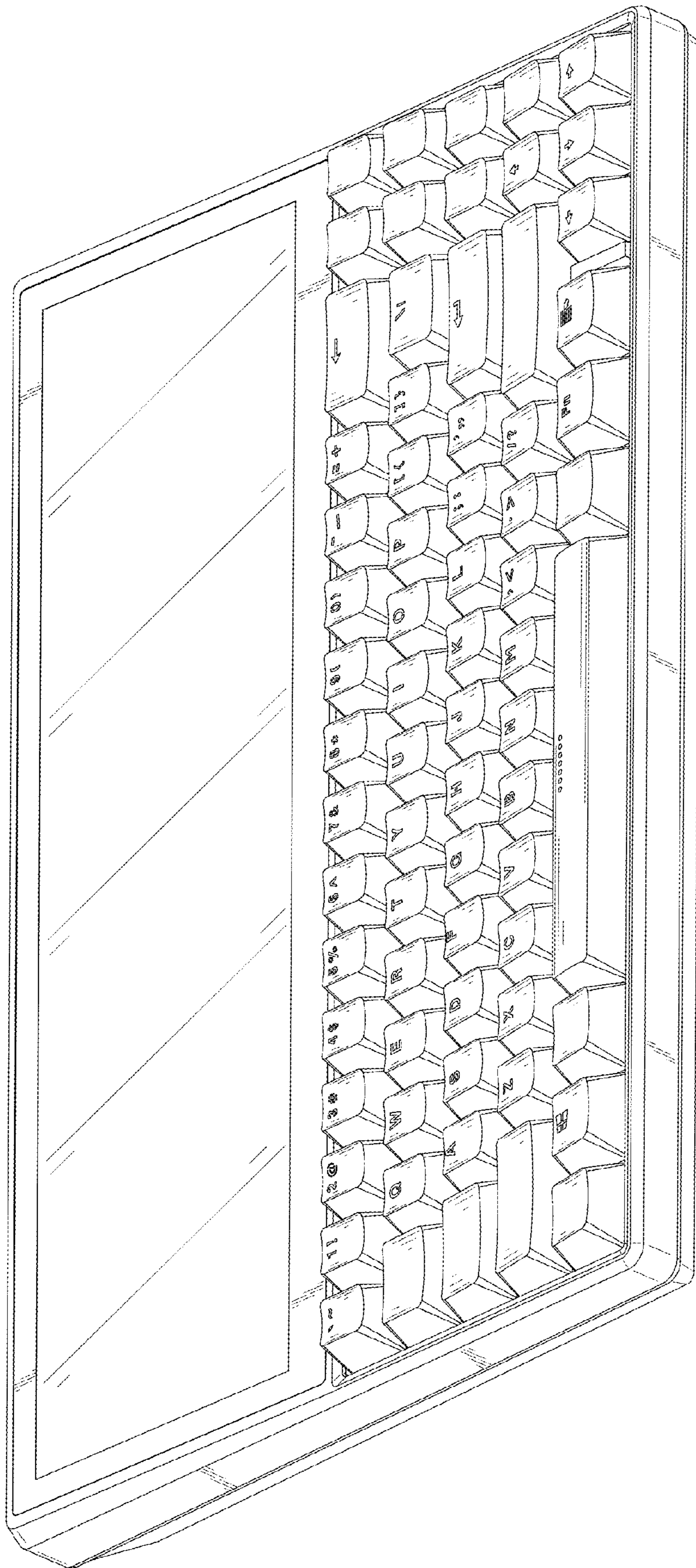


FIG. 1

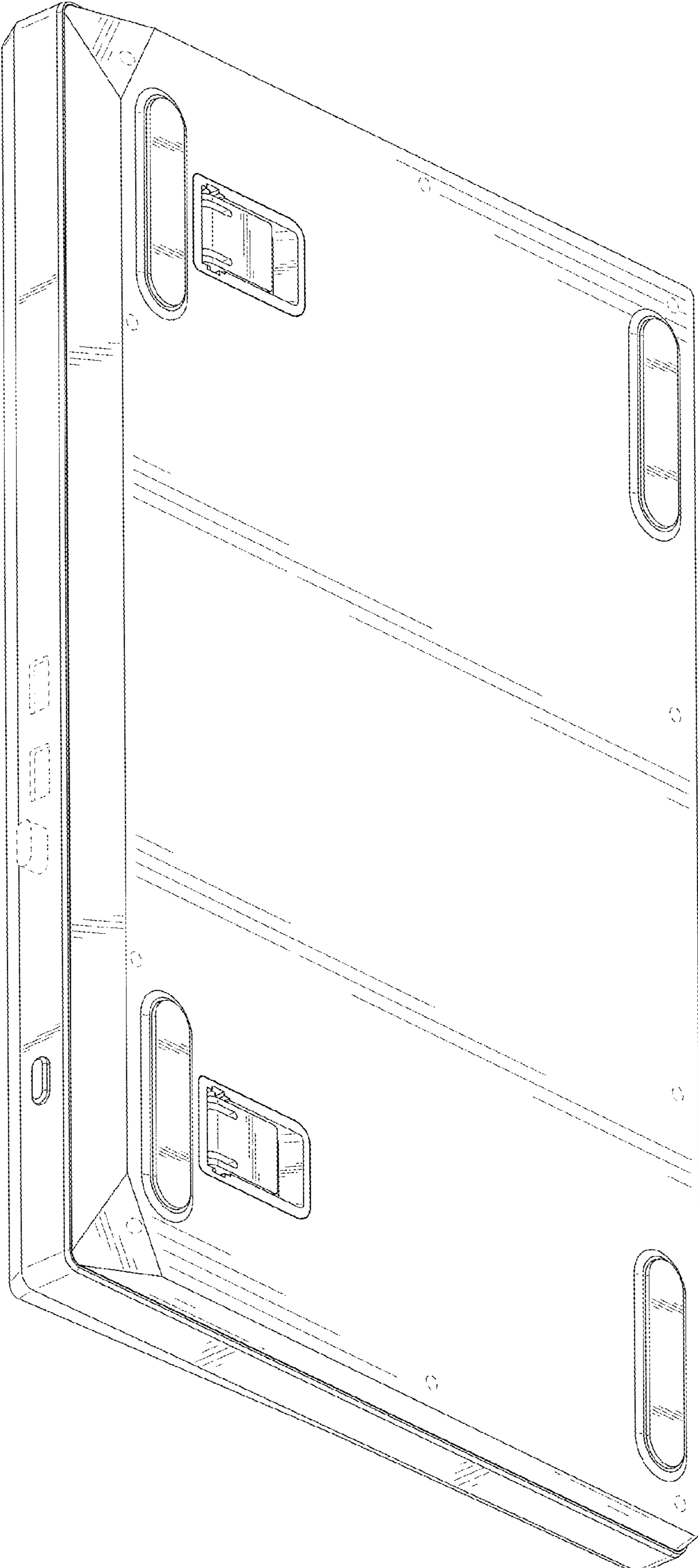


FIG. 2

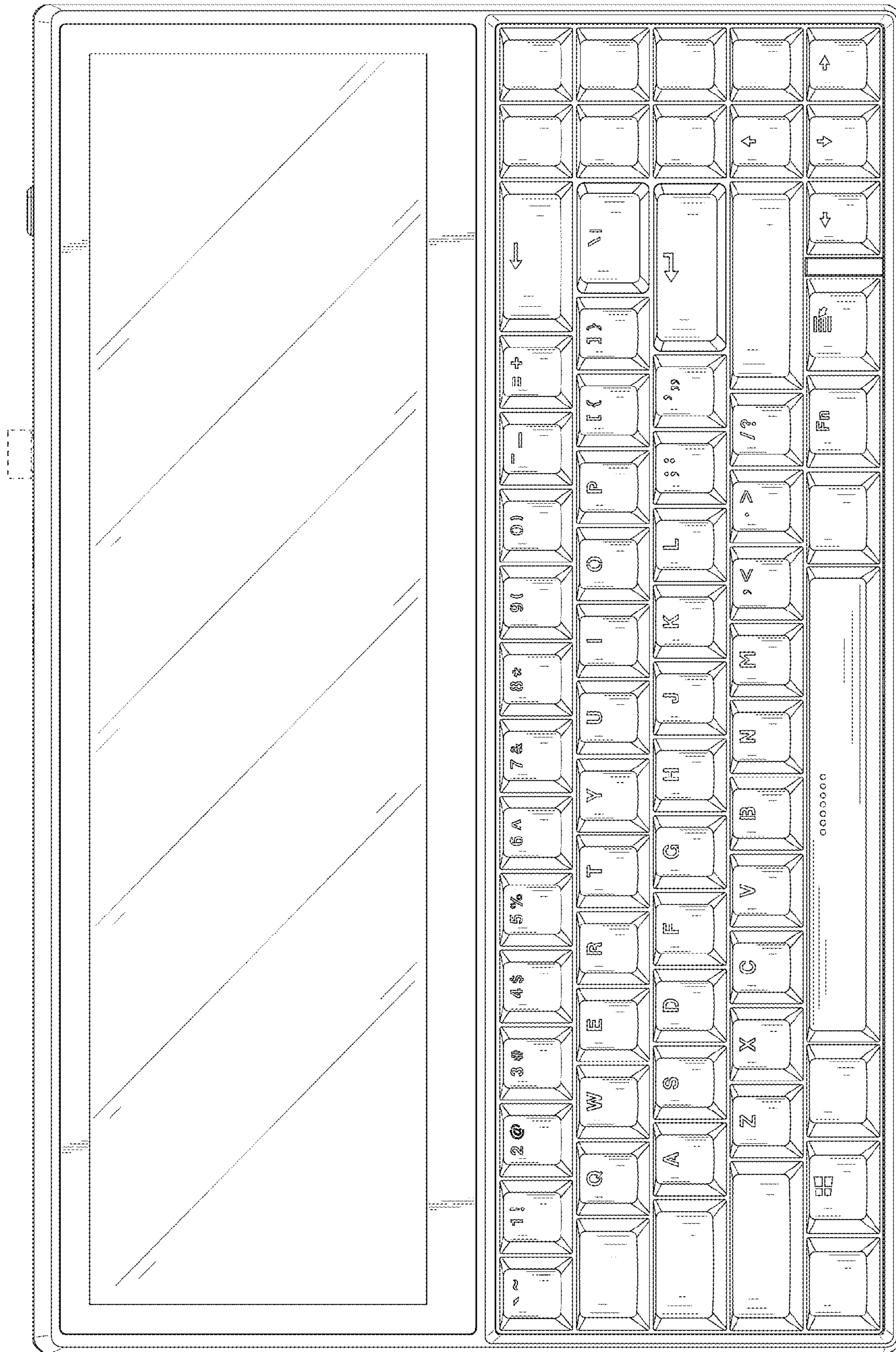


FIG. 3

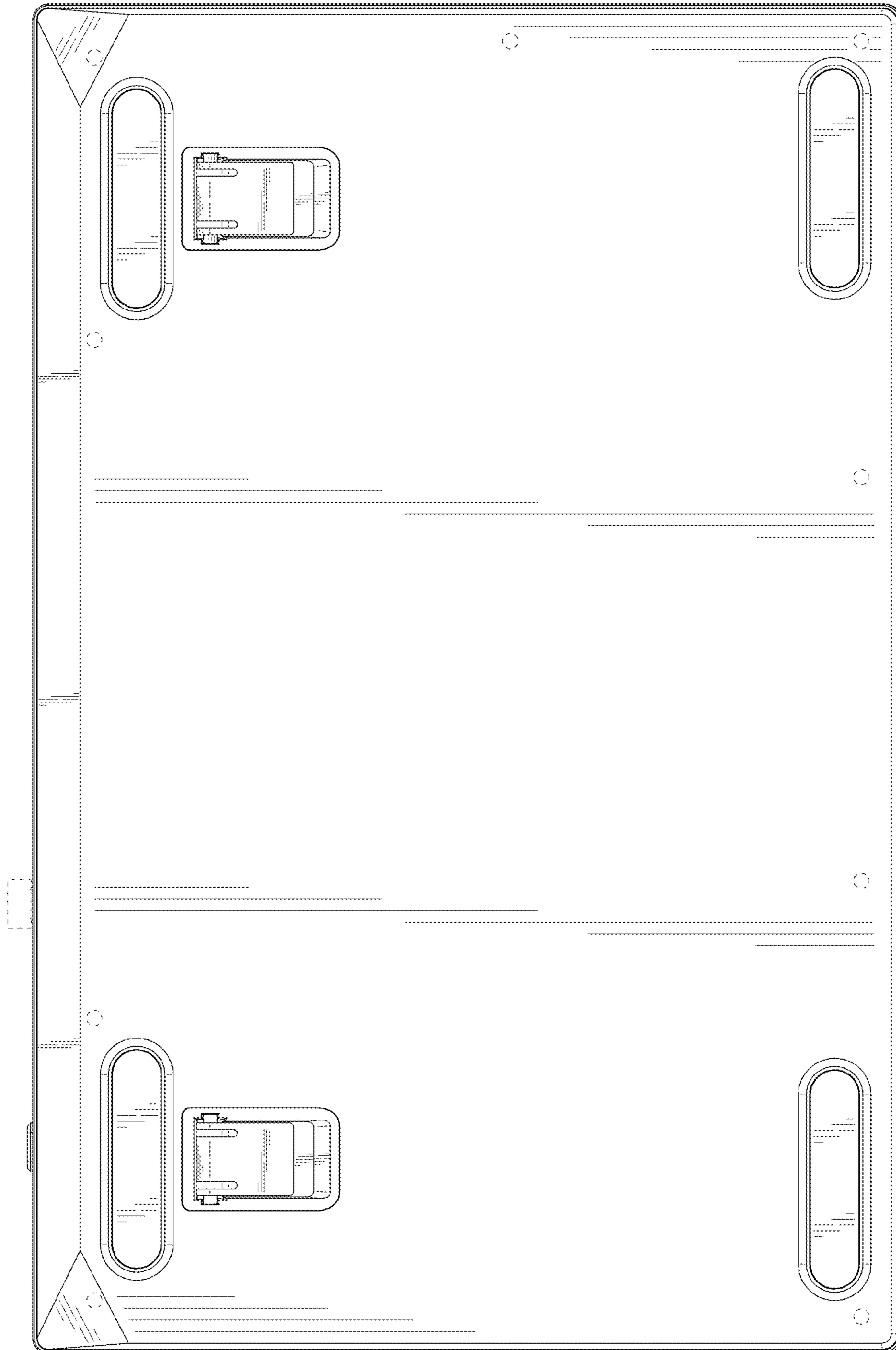


FIG. 4

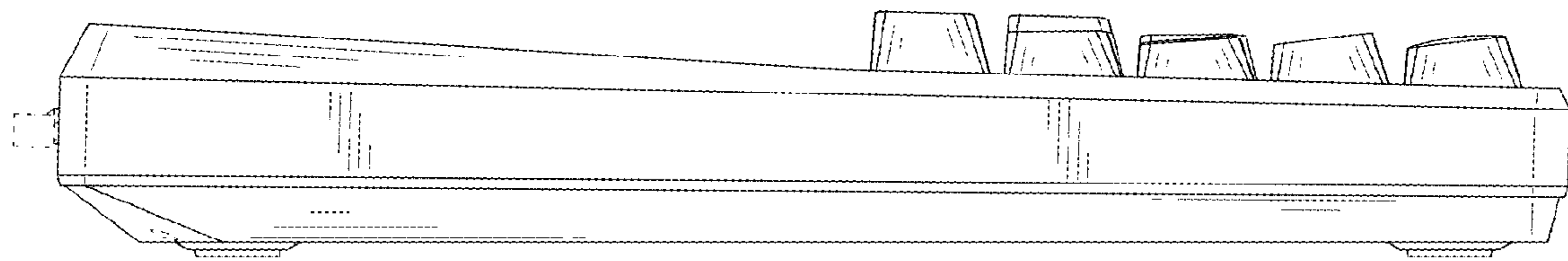


FIG. 5

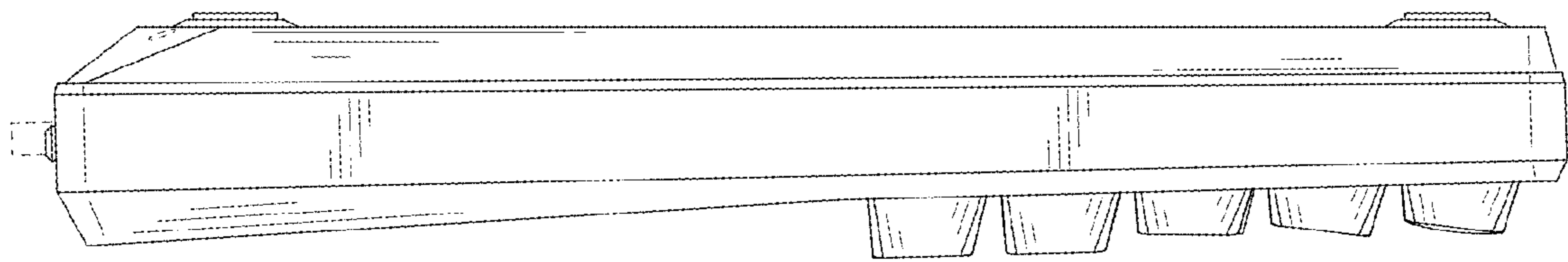


FIG. 6

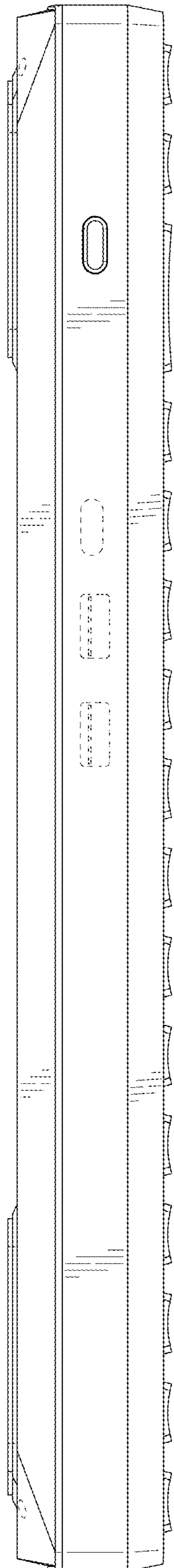


FIG. 7

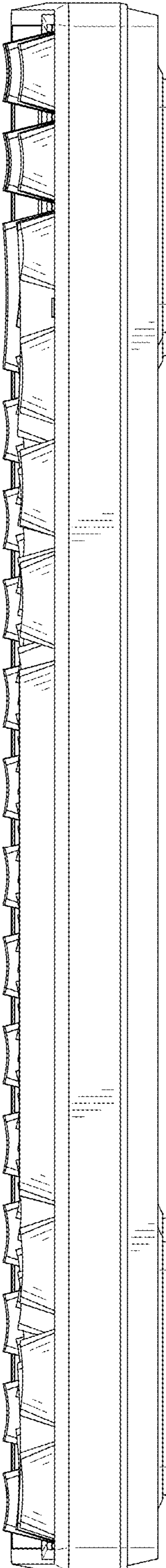


FIG. 8

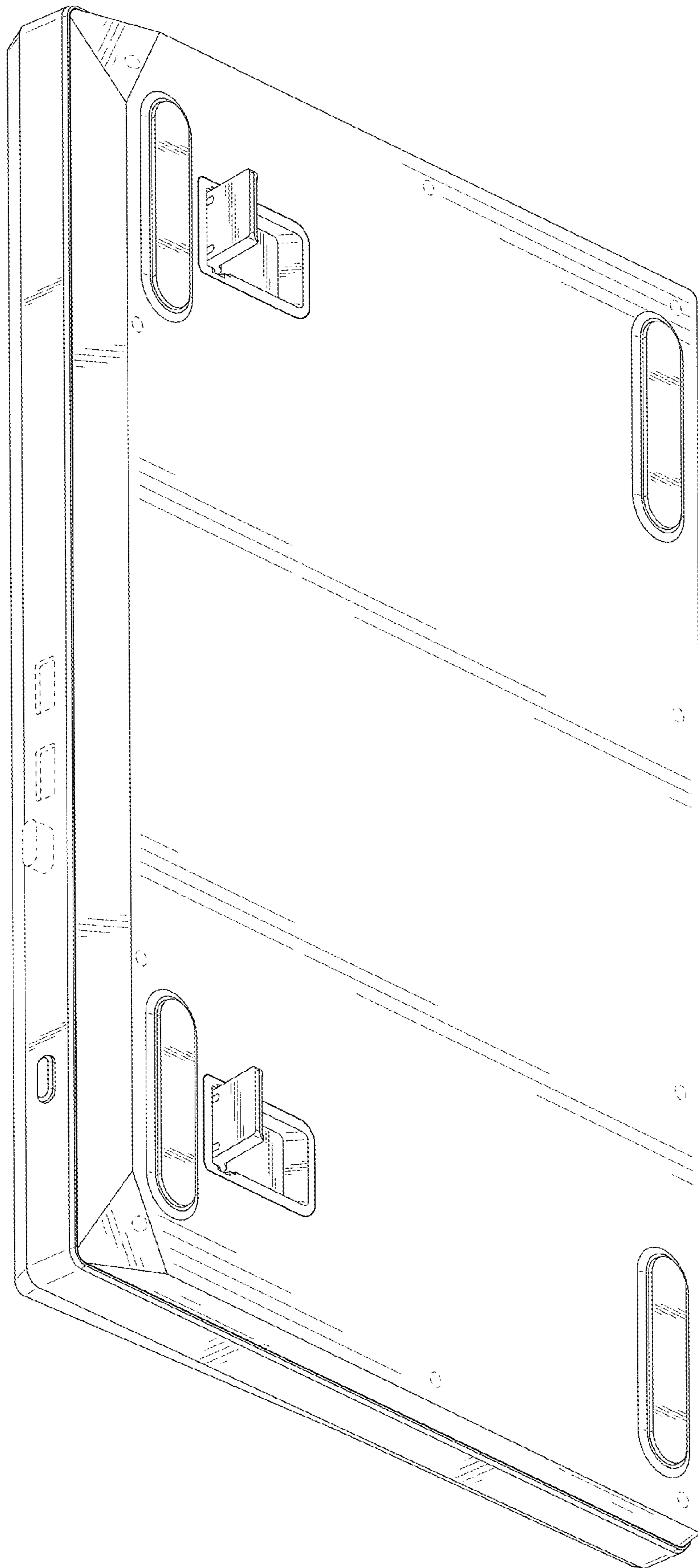


FIG. 9