



US00D983787S

(12) **United States Design Patent**  
**Li et al.**

(10) **Patent No.:** **US D983,787 S**  
(45) **Date of Patent:** **\*\* Apr. 18, 2023**

(54) **WEARABLE DISPLAY DEVICE**

- (71) Applicant: **MEGA1 COMPANY LTD.**, New Taipei (TW)
- (72) Inventors: **Yi-Chi Li**, New Taipei (TW); **Chih-Yu Yang**, New Taipei (TW); **Nobuhiro Shirai**, New Taipei (TW)
- (73) Assignee: **MEGA1 COMPANY LTD.**, New Taipei (TW)

(\*\*) Term: **15 Years**

(21) Appl. No.: **29/799,062**

(22) Filed: **Jul. 12, 2021**

(30) **Foreign Application Priority Data**

Jun. 11, 2021 (TW) ..... 110303067

(51) **LOC (14) Cl.** ..... **14-02**

(52) **U.S. Cl.**  
USPC ..... **D14/372**

(58) **Field of Classification Search**

USPC ..... D14/372, 496, 432, 371, 125, 126, 129,  
D14/299; D16/300–342; 351/158, 153,  
351/144; 345/7–9, 905; 455/344;  
348/115, 53, 121, 739  
CPC ..... G02B 27/017; G02B 27/0158; G02B  
27/0161; G02B 27/0181; G02B 27/0185;  
G02B 27/0189

See application file for complete search history.

(56) **References Cited**

**U.S. PATENT DOCUMENTS**

D436,960 S *	1/2001	Budd	.....	D14/372
D533,893 S *	12/2006	Canavan	.....	D16/330
D659,137 S *	5/2012	Matsumoto	.....	D16/330
D660,341 S *	5/2012	Olsson	.....	D16/335
D664,184 S *	7/2012	Olsson	.....	D16/300
D704,247 S *	5/2014	Olsson	.....	D16/330

(Continued)

**FOREIGN PATENT DOCUMENTS**

CN	305357292 S	9/2019
JP	D1085519 S	9/2000

(Continued)

**OTHER PUBLICATIONS**

Su Wenbin, “Jujing SiME smart glasses will be listed at the end of the year as soon as possible”, <https://ithome.com.tw/news/88104>, May 27, 2014.

*Primary Examiner* — Austin Murphy

(74) *Attorney, Agent, or Firm* — Li & Cai Intellectual Property Office

(57) **CLAIM**

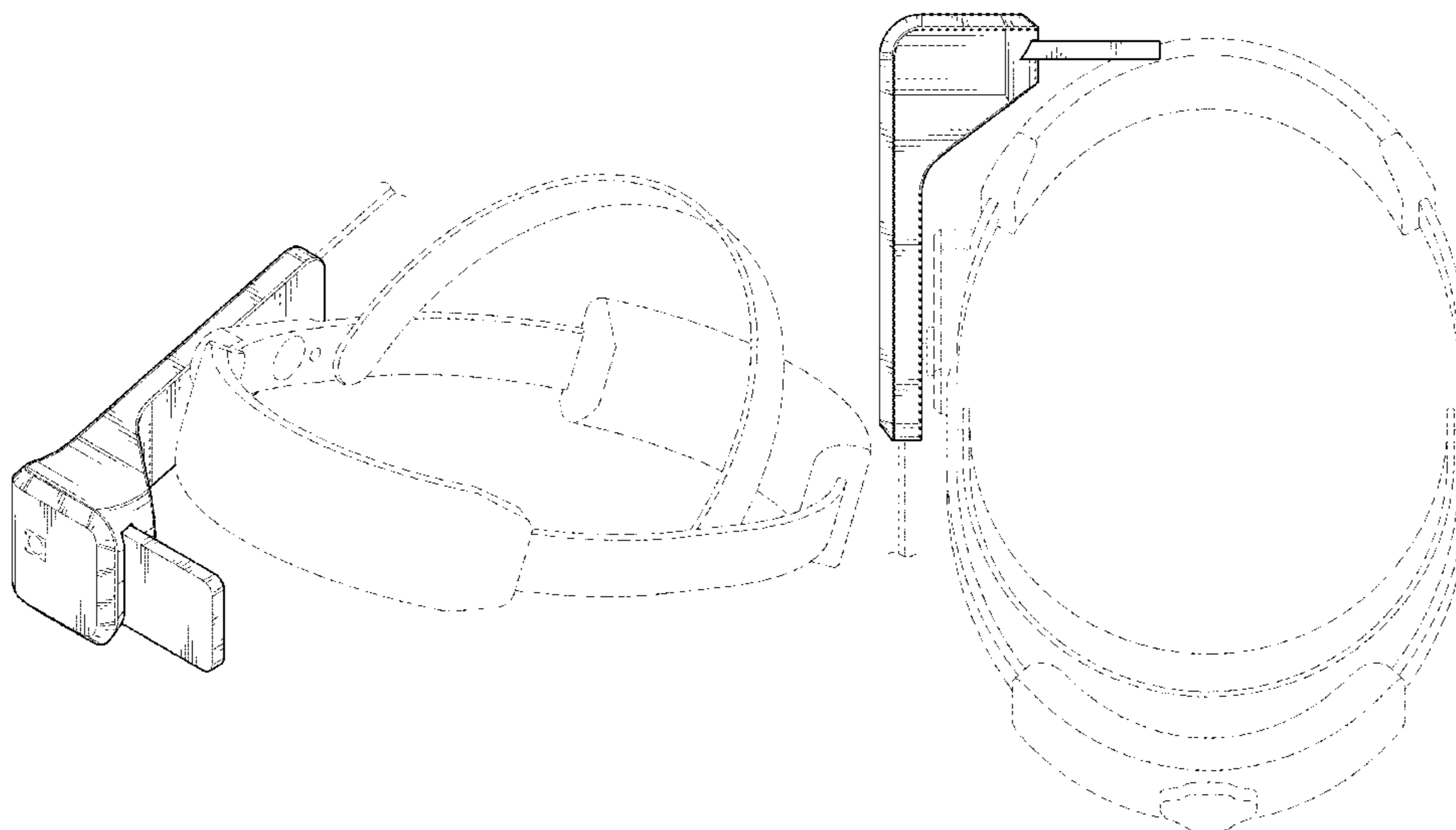
The ornamental design for a wearable display device, as shown and described.

**DESCRIPTION**

FIG. 1 is a front, top, right perspective view of a wearable display device, showing the claimed design;  
 FIG. 2 is a front elevation view thereof;  
 FIG. 3 is a rear elevation view thereof;  
 FIG. 4 is a left side elevation view thereof;  
 FIG. 5 is a right side elevation view thereof;  
 FIG. 6 is a top plan view thereof;  
 FIG. 7 is a bottom plan view thereof;  
 FIG. 8 is a rear, bottom, left perspective view thereof;  
 FIG. 9 is another front, top, right perspective view thereof, showing a circular headband fixed to the wearable display device; and,  
 FIG. 10 is another front, top, right perspective view thereof, showing a disassembled circular headband fixed to the wearable display device.

The dashed broken lines in the drawing depict portions of the wearable display device that form no part of the claimed design.

**1 Claim, 10 Drawing Sheets**



(56)

**References Cited**

U.S. PATENT DOCUMENTS

D716,299	S	*	10/2014	Olsson	.....	D14/372
D723,555	S	*	3/2015	Choo	.....	D14/372
D725,102	S	*	3/2015	Lee	.....	D14/372
D726,180	S	*	4/2015	Roat	.....	D14/372
D735,193	S	*	7/2015	Lee	.....	D14/372
D795,865	S	*	8/2017	Porter	.....	D14/372
D795,866	S	*	8/2017	Porter	.....	D14/372
D850,445	S	*	6/2019	Porter	.....	D14/372
D859,402	S	*	9/2019	Eroma	.....	D14/372
D863,299	S	*	10/2019	Jacobsen	.....	D14/372
D944,248	S	*	2/2022	Porter	.....	D14/372
D960,156	S	*	8/2022	Porter	.....	D14/372
D962,940	S	*	9/2022	Hasebe	.....	D14/372

FOREIGN PATENT DOCUMENTS

JP	D1524535	S	5/2015
TW	D175071	S	4/2016

\* cited by examiner

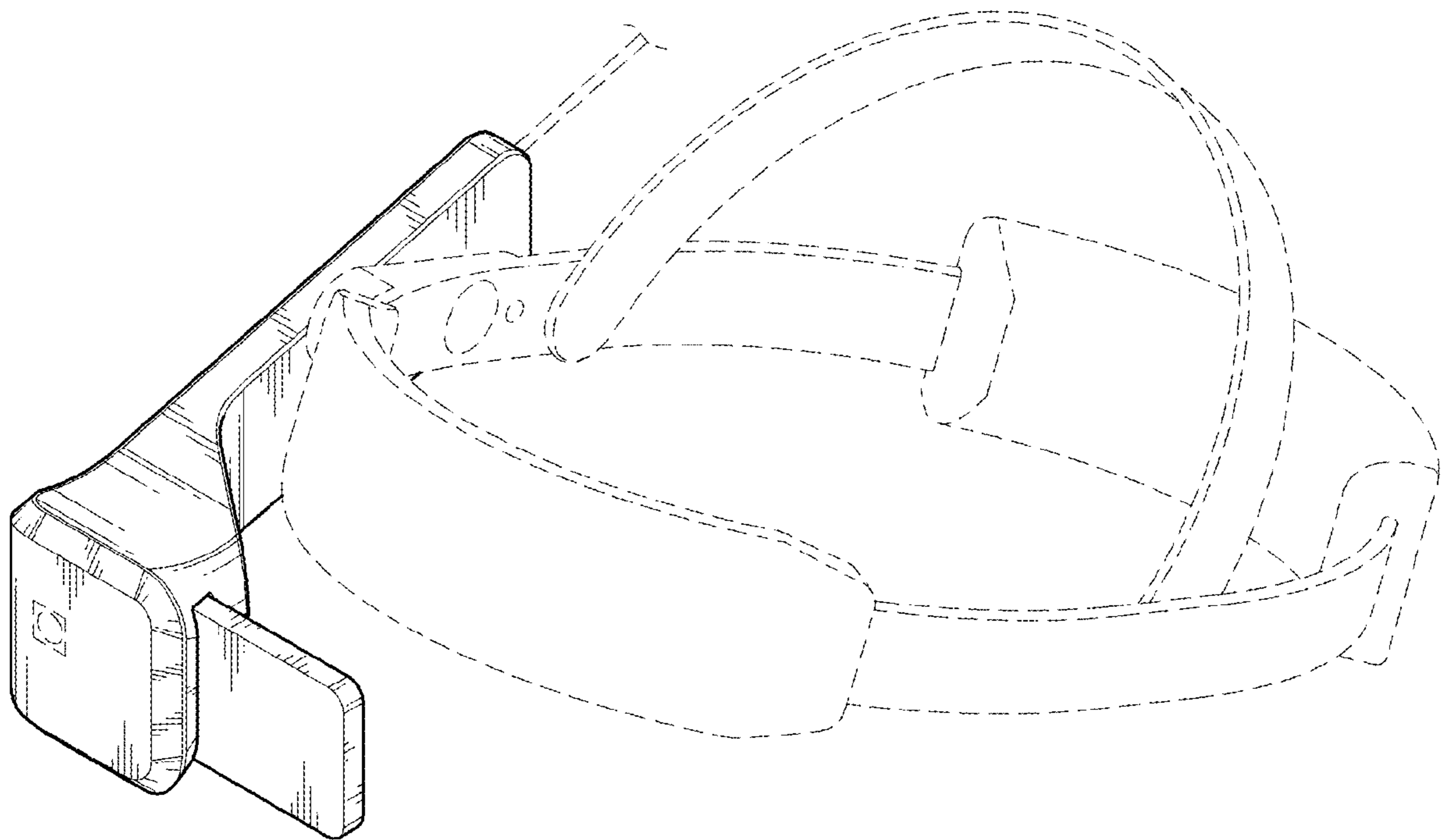


FIG. 1

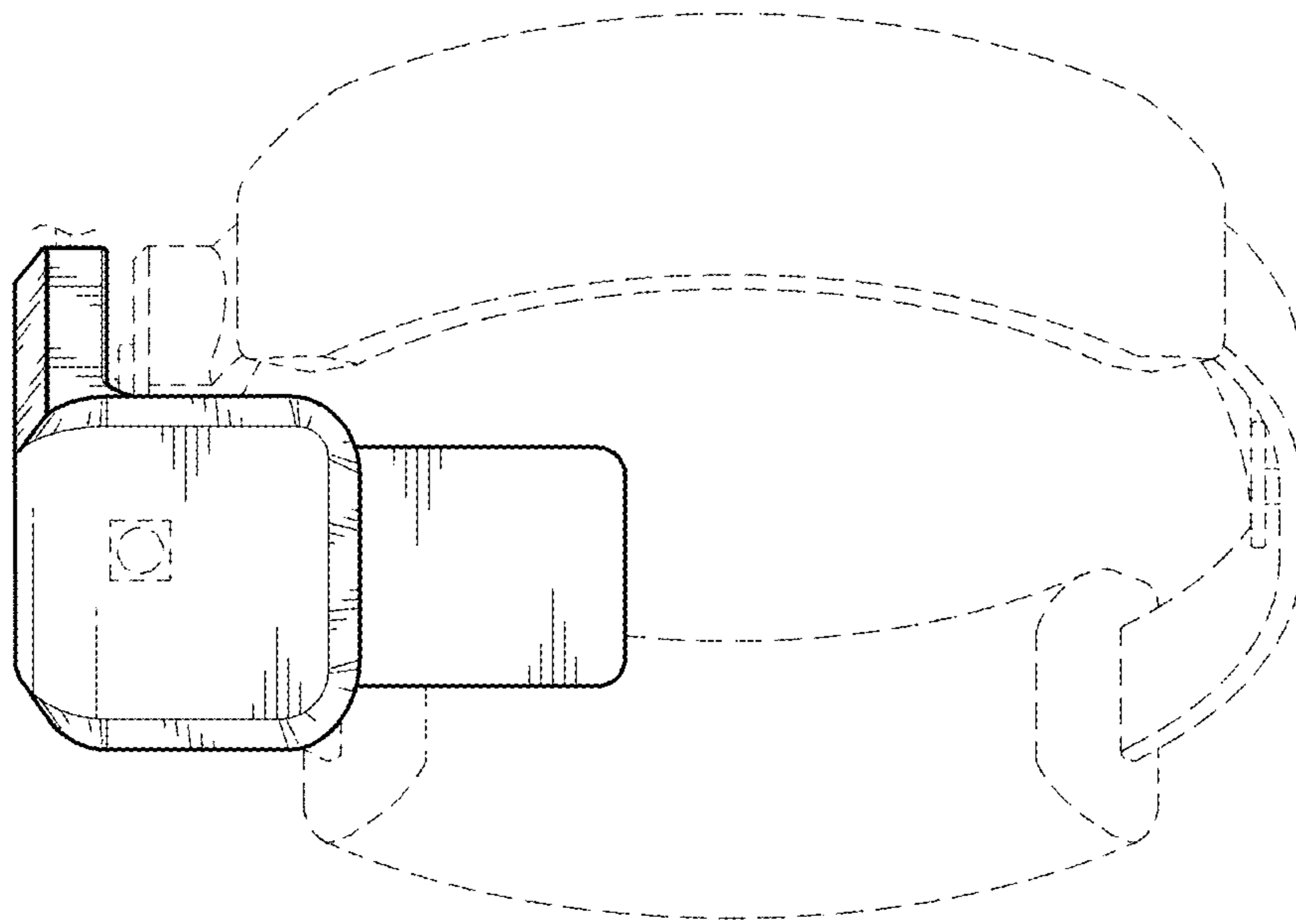


FIG. 2

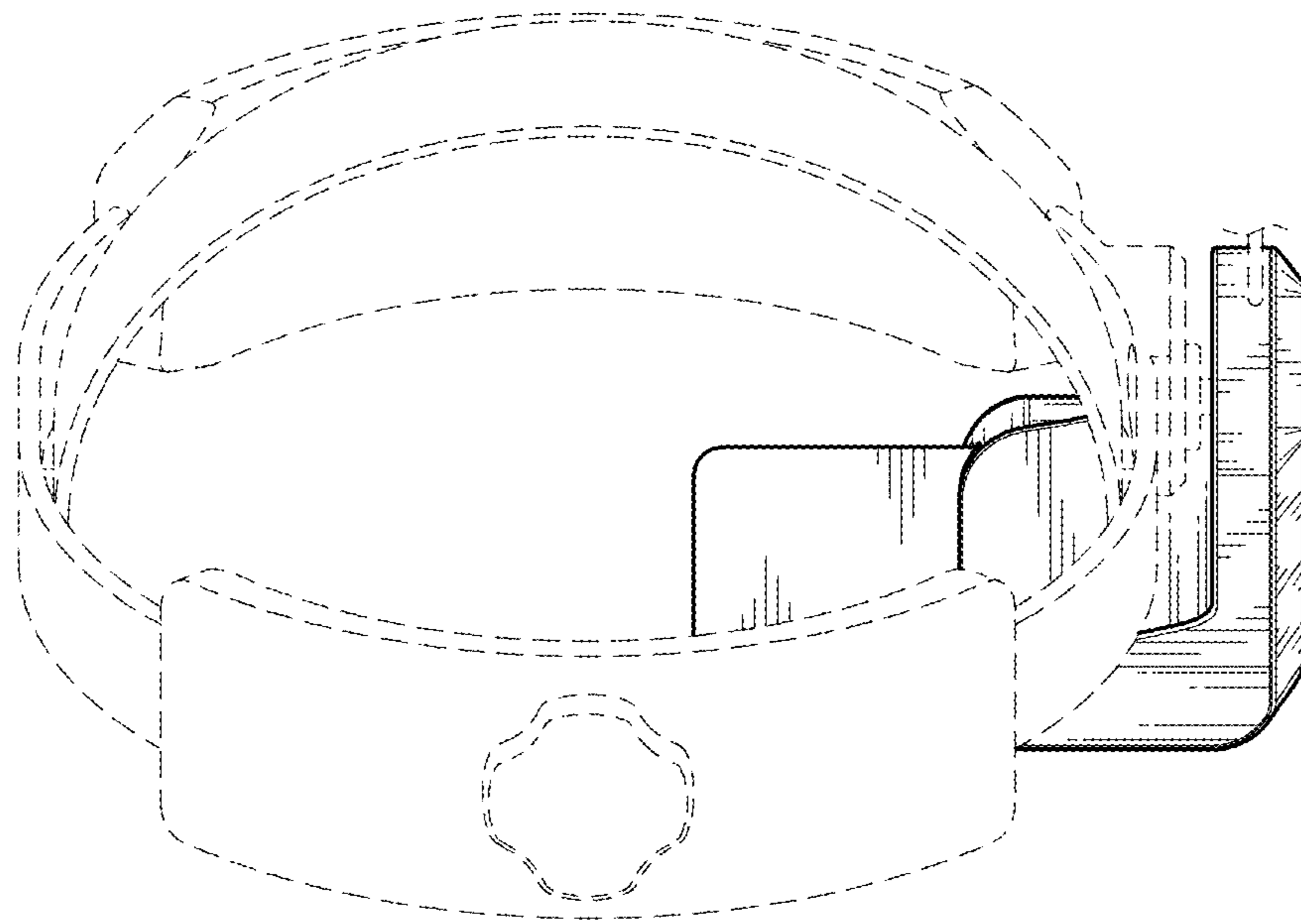


FIG. 3

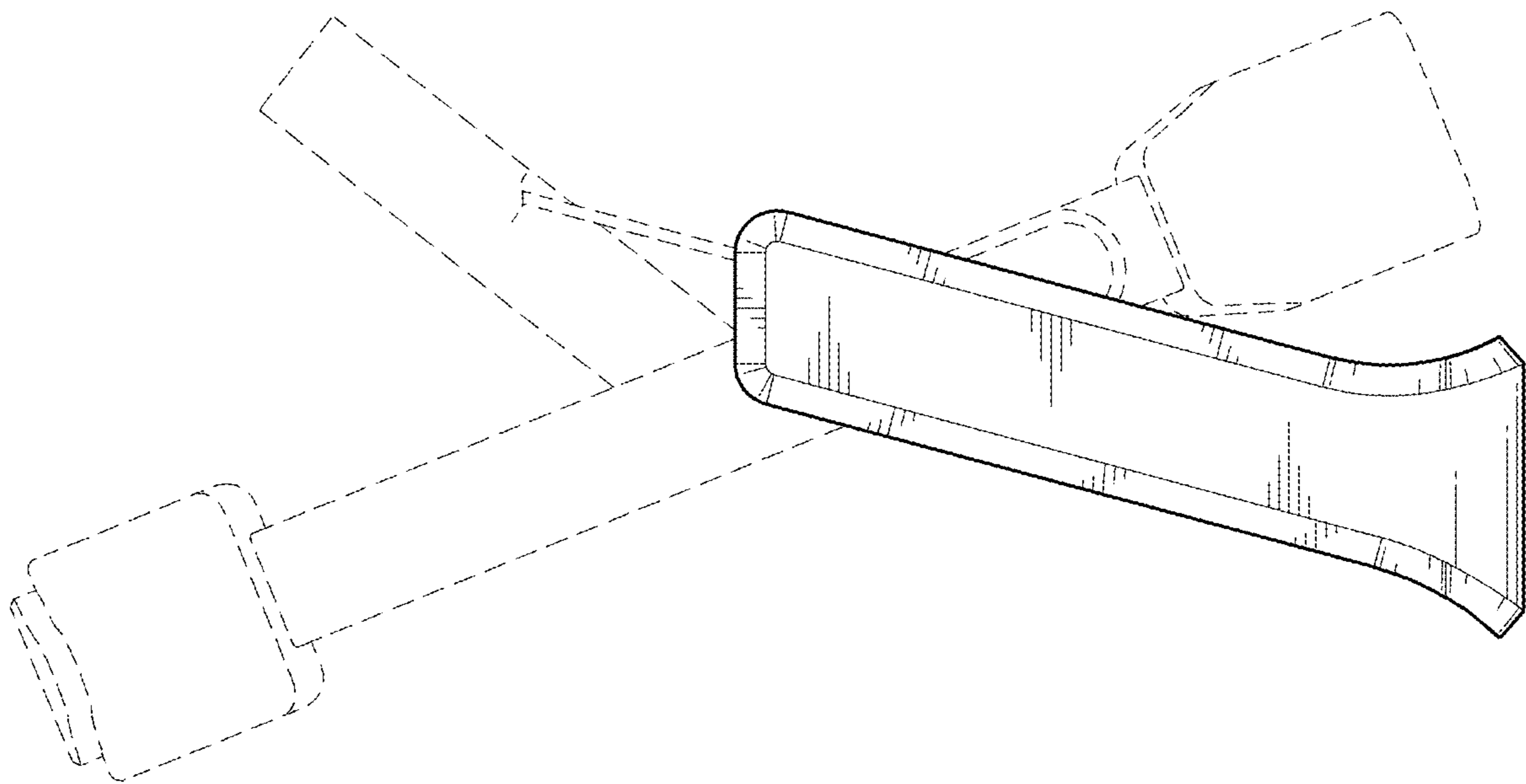


FIG. 4

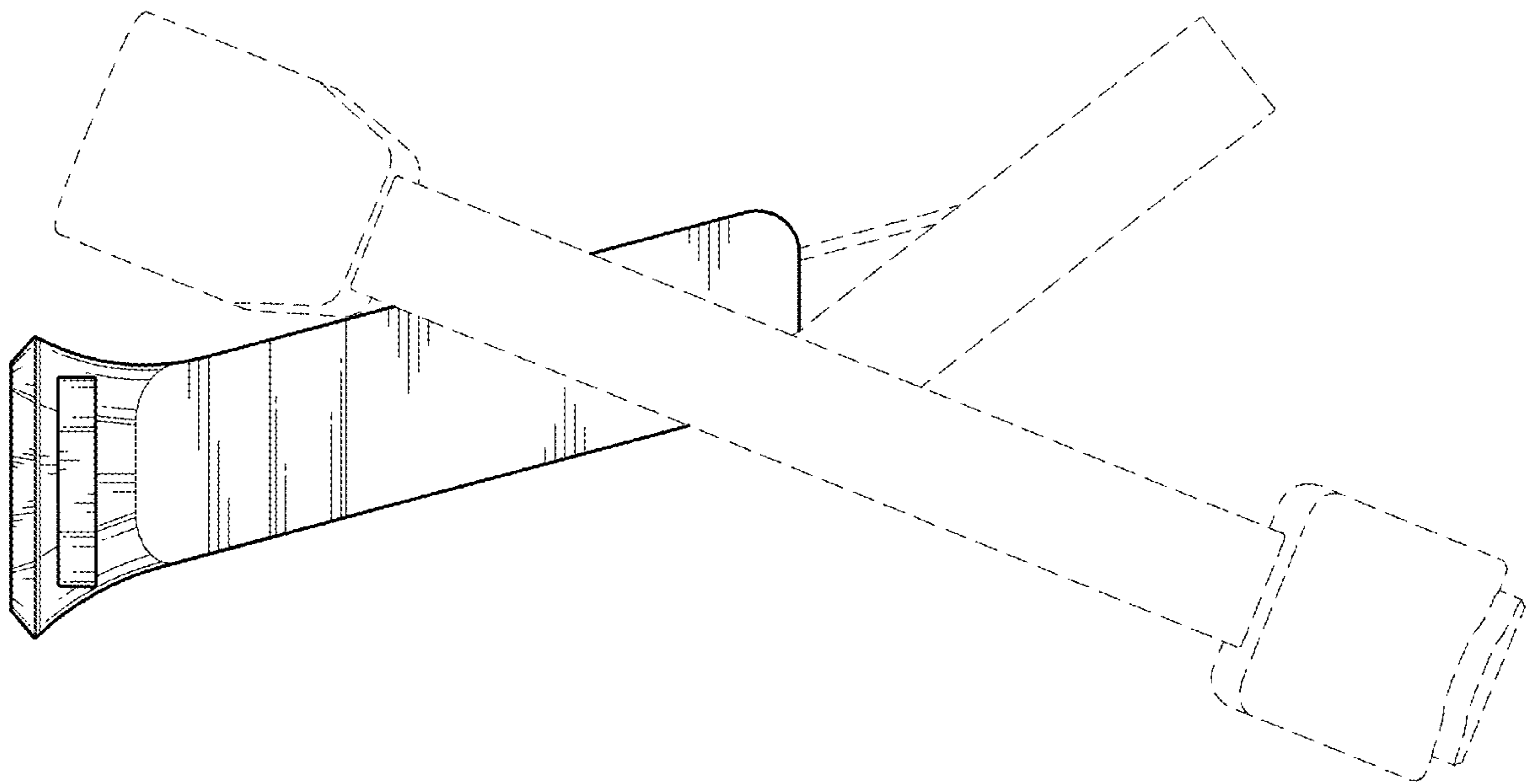


FIG. 5



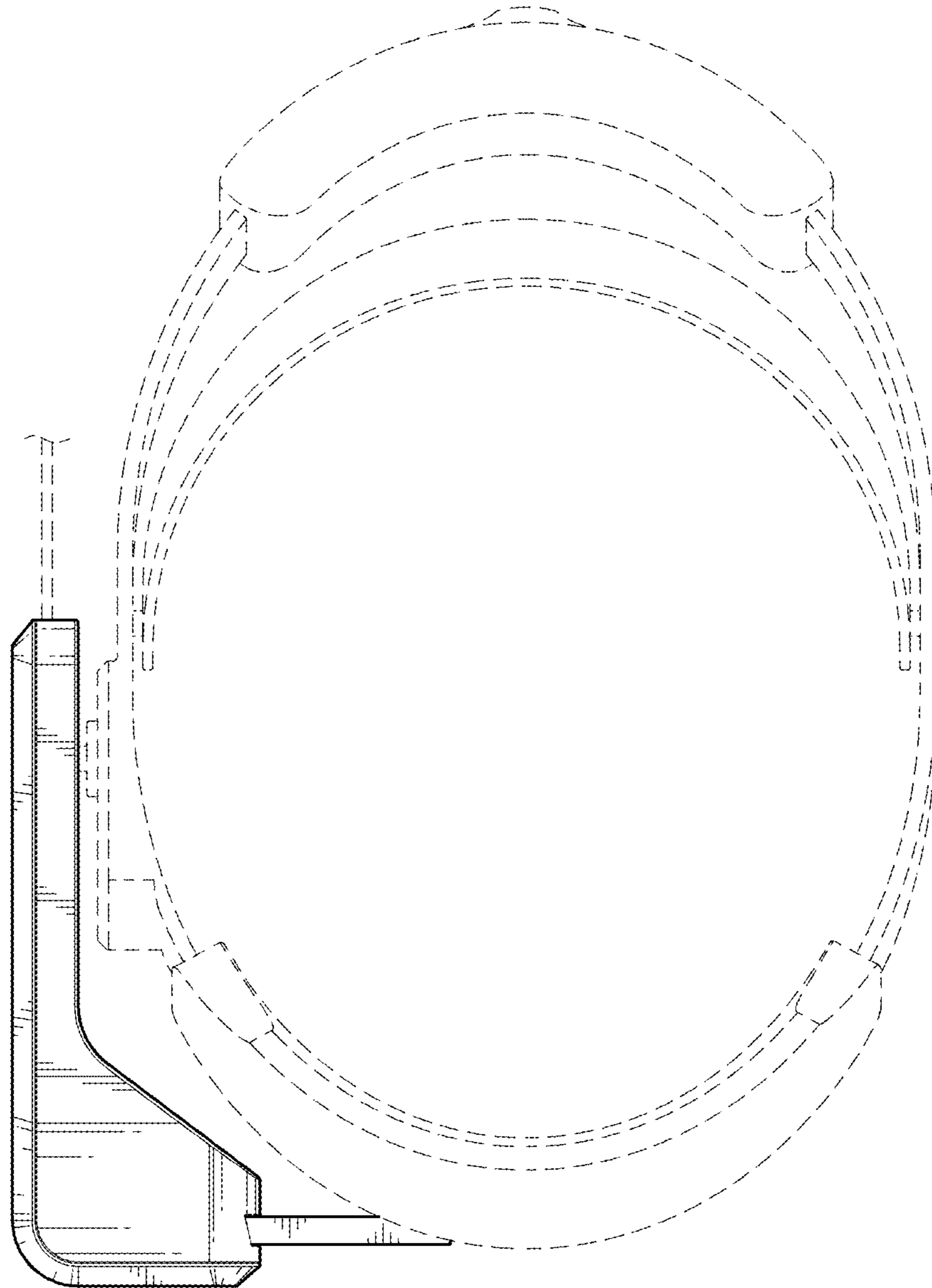


FIG. 6



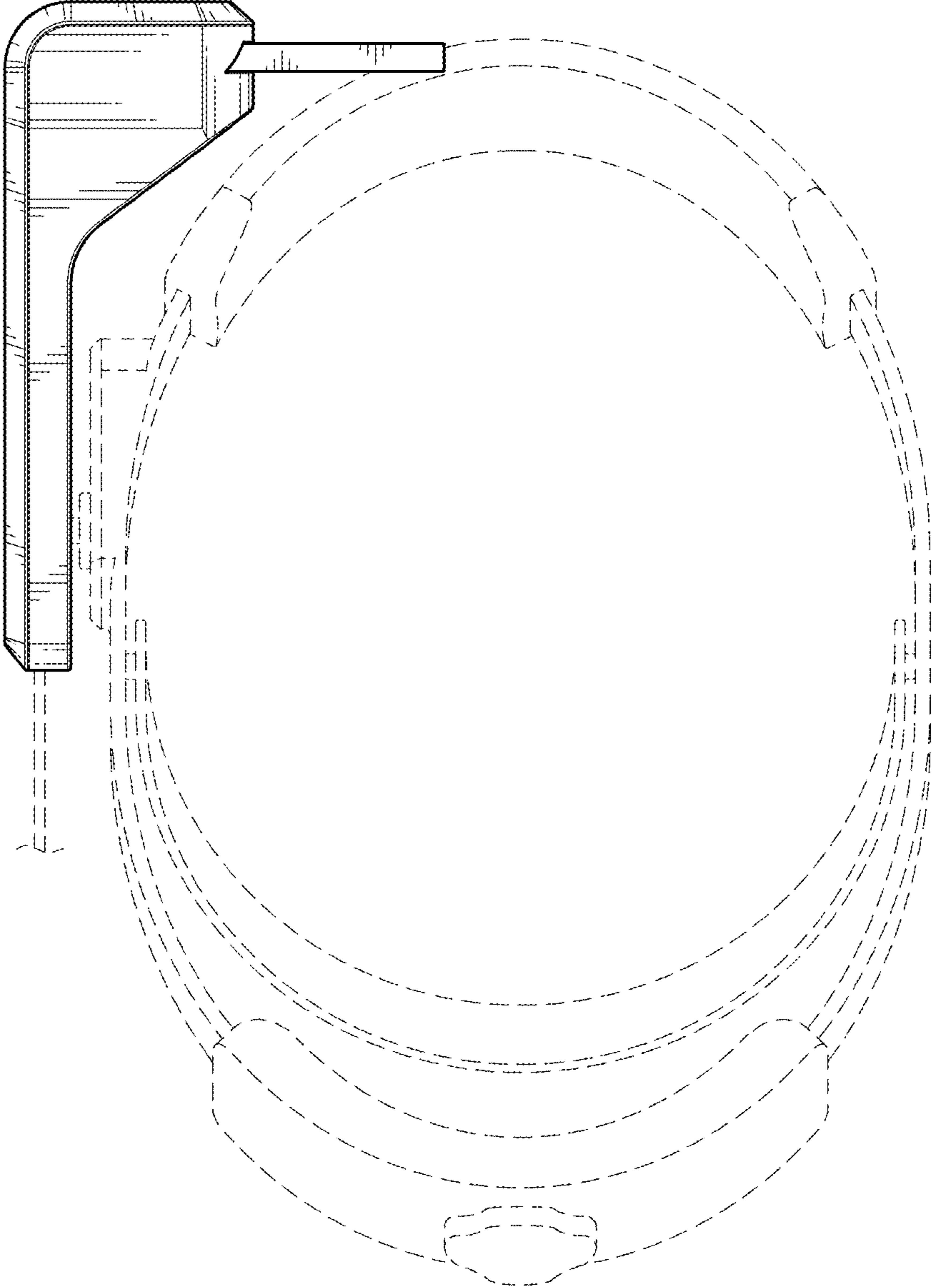


FIG. 7

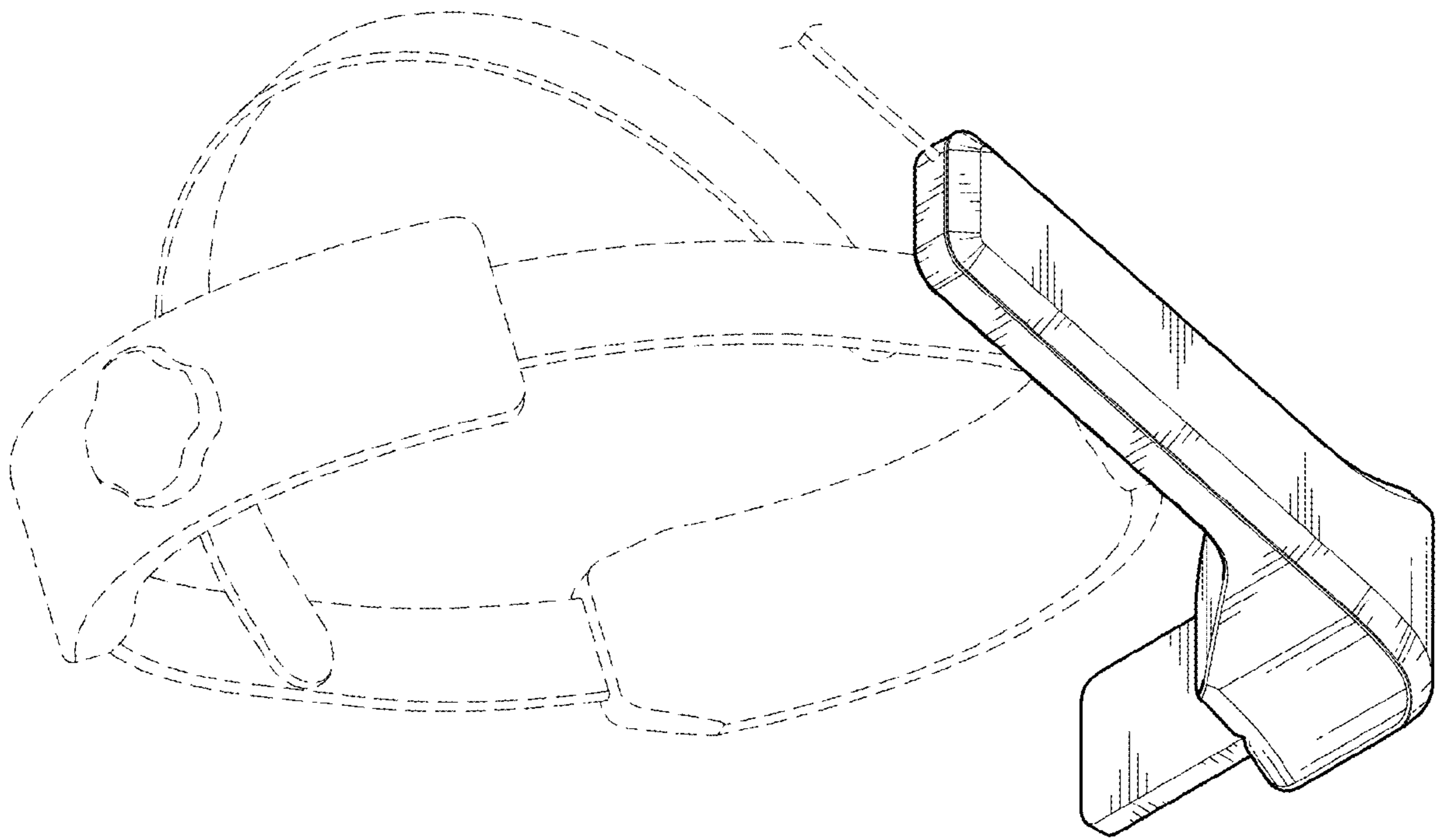


FIG. 8

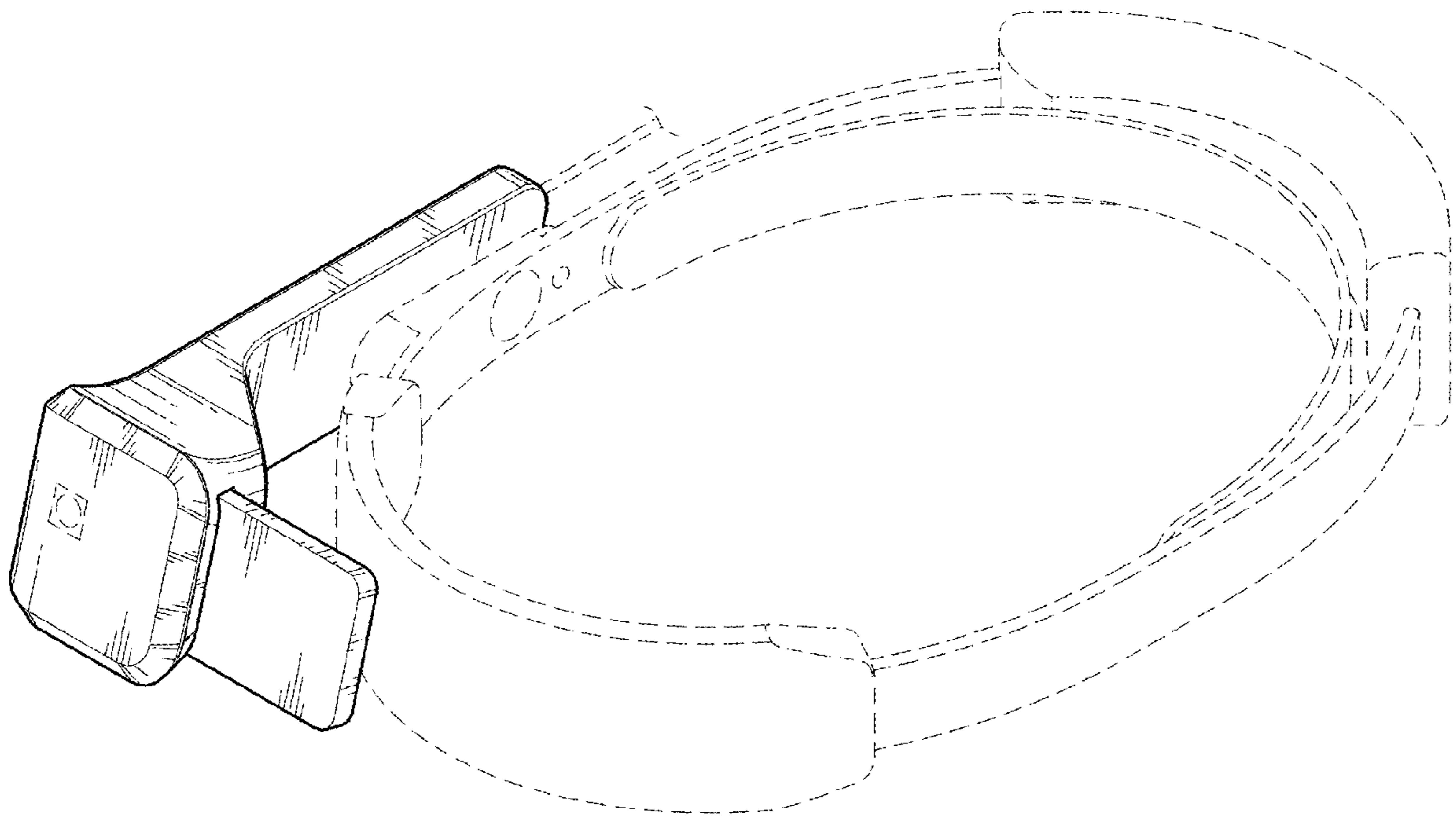


FIG. 9

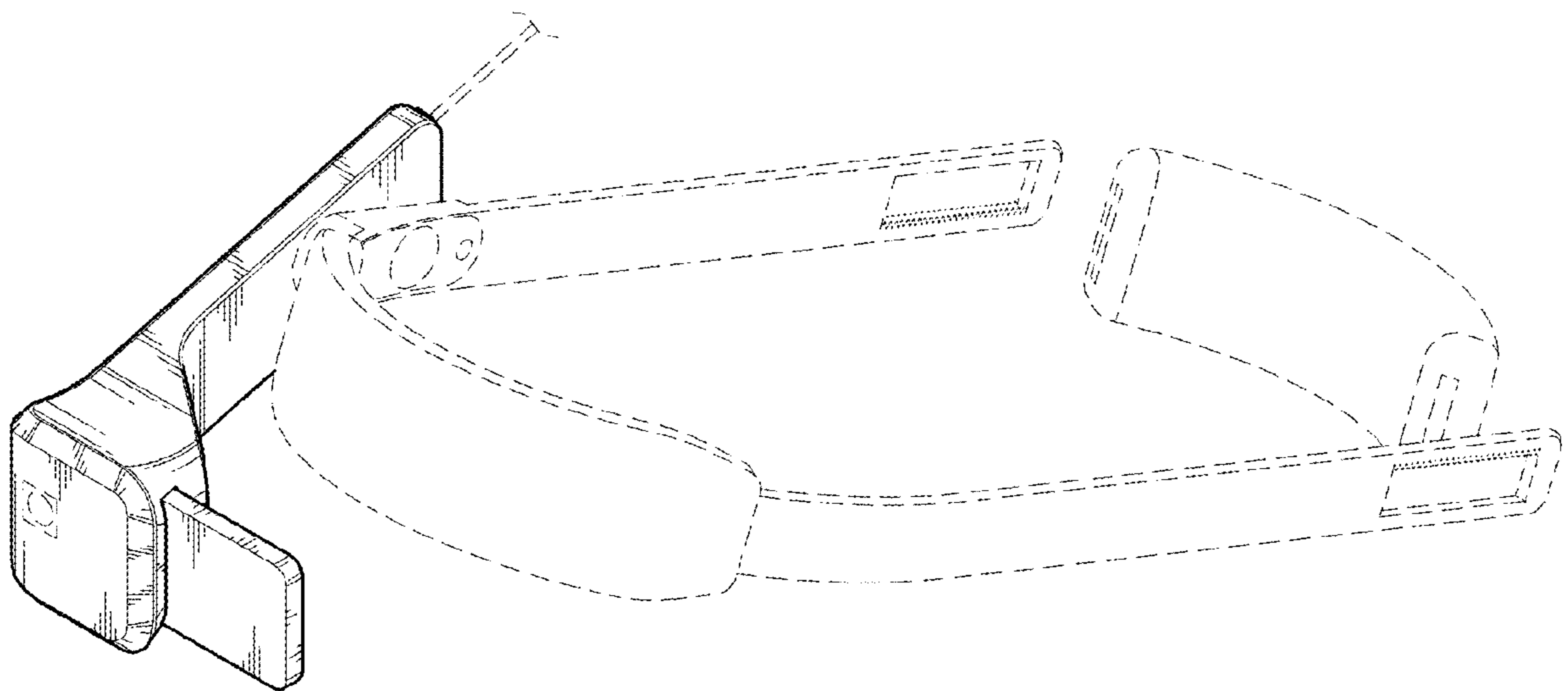


FIG. 10