



US00D983786S

(12) **United States Design Patent** (10) Patent No.: **US D983,786 S**
Herrmann (45) Date of Patent: **** Apr. 18, 2023**

- (54) **REMOTE CONTROL WIRELESS**
- (71) Applicant: **Glatz AG**, Frauenfeld (CH)
- (72) Inventor: **Denis Herrmann**, Winterthur (CH)
- (**) Term: **15 Years**
- (21) Appl. No.: **35/513,407**
- (22) Filed: **Jul. 19, 2021**
- (80) **Hague Agreement Data**
 Int. Filing Date: **Jul. 19, 2021**
 Int. Reg. No.: **DM/215904**
 Int. Reg. Date: **Jul. 19, 2021**
 Int. Reg. Pub. Date: **Jan. 21, 2022**
- (51) **LOC (14) Cl.** **14-02**
- (52) **U.S. Cl.**
 USPC **D14/358**
- (58) **Field of Classification Search**
 USPC ... D14/125, 140, 149, 167, 168, 204, 203.7,
 D14/211, 214, 215, 216, 217, 218, 240,
 D14/356, 358, 509; D13/108;
 D10/106.5, 106.1, 52, 49
 CPC H04R 5/02; H04R 2420/07; H04R 9/06;
 H04R 1/025; H02J 7/025
 See application file for complete search history.

- D860,198 S * 9/2019 Engwall D14/356
- D866,518 S * 11/2019 Ding D14/216
- D867,342 S * 11/2019 Afshar Bakooshli D14/218
- D869,463 S * 12/2019 Gagne-Keats D14/358
- D878,325 S * 3/2020 Paterson D14/203.1
- D907,516 S * 1/2021 Siminoff D10/106.5
- D910,598 S * 2/2021 Kass G06F 1/1656
 D14/218
- D920,944 S * 6/2021 Paterson D14/203.1
- D924,196 S * 7/2021 Wang D14/149
- D928,728 S * 8/2021 Bould D13/168
- D948,365 S * 4/2022 Thomson D10/104.1
- D959,409 S * 8/2022 Desagre D14/218

FOREIGN PATENT DOCUMENTS

WO WO215904-001 * 7/2021
* cited by examiner

Primary Examiner — Khawaja Anwar
Assistant Examiner — Megan Tiana Rakos

(57) **CLAIM**

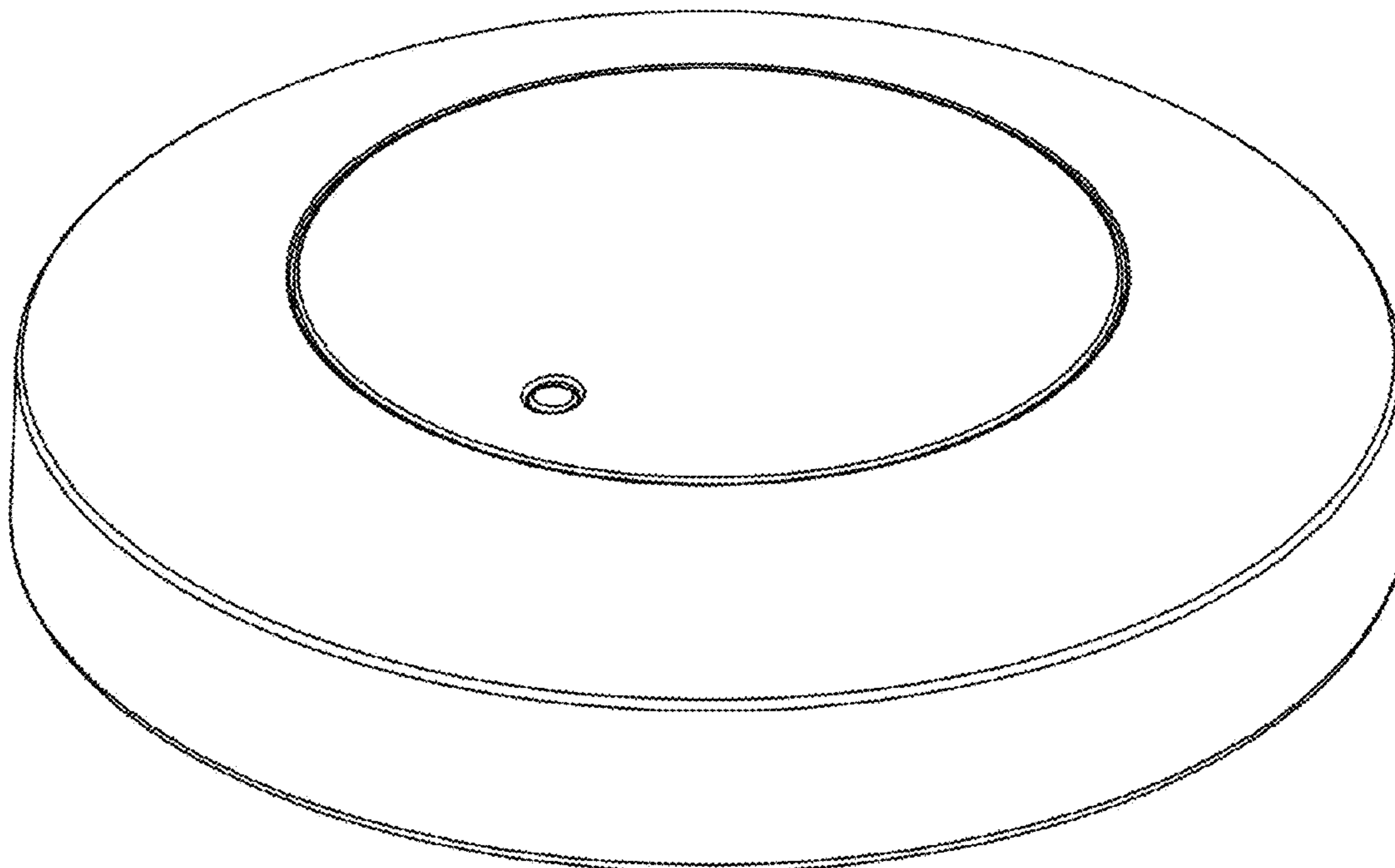
The ornamental design for a wireless remote control, as shown and described.

DESCRIPTION

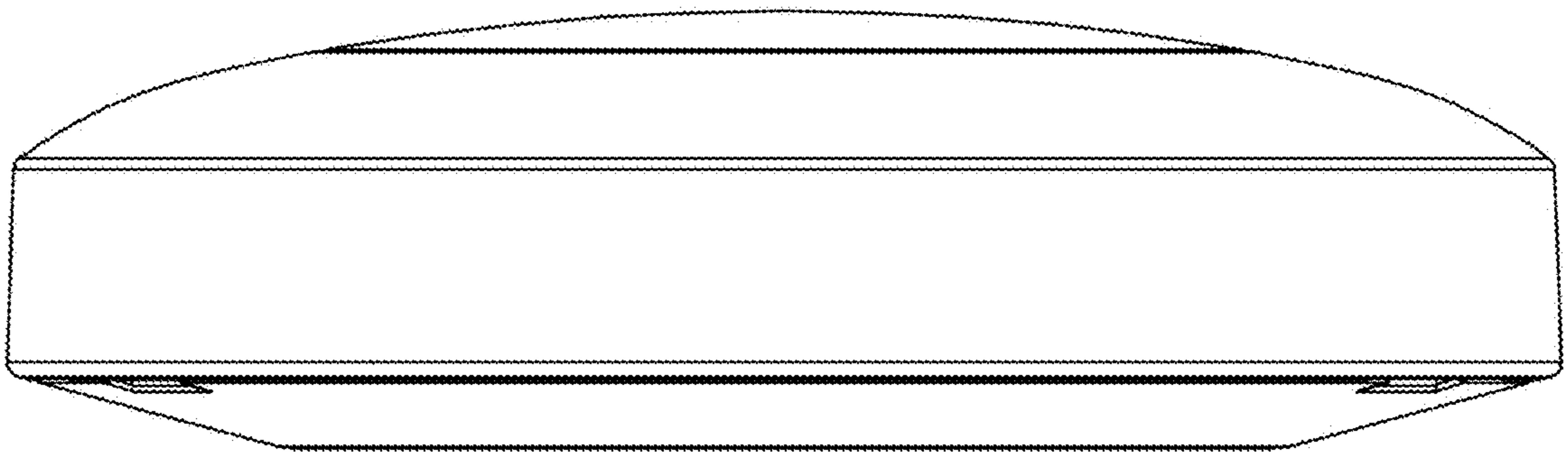
- 1.1** is a front view of a wireless remote control showing the new design;
- 1.2** is a back view thereof;
- 1.3** is a left side view thereof;
- 1.4** is a right side view thereof;
- 1.5** is a top view thereof;
- 1.6** is a bottom view thereof;
- 1.7** is a perspective view thereof; and
- 1.8** is a perspective view thereof.

1 Claim, 8 Drawing Sheets

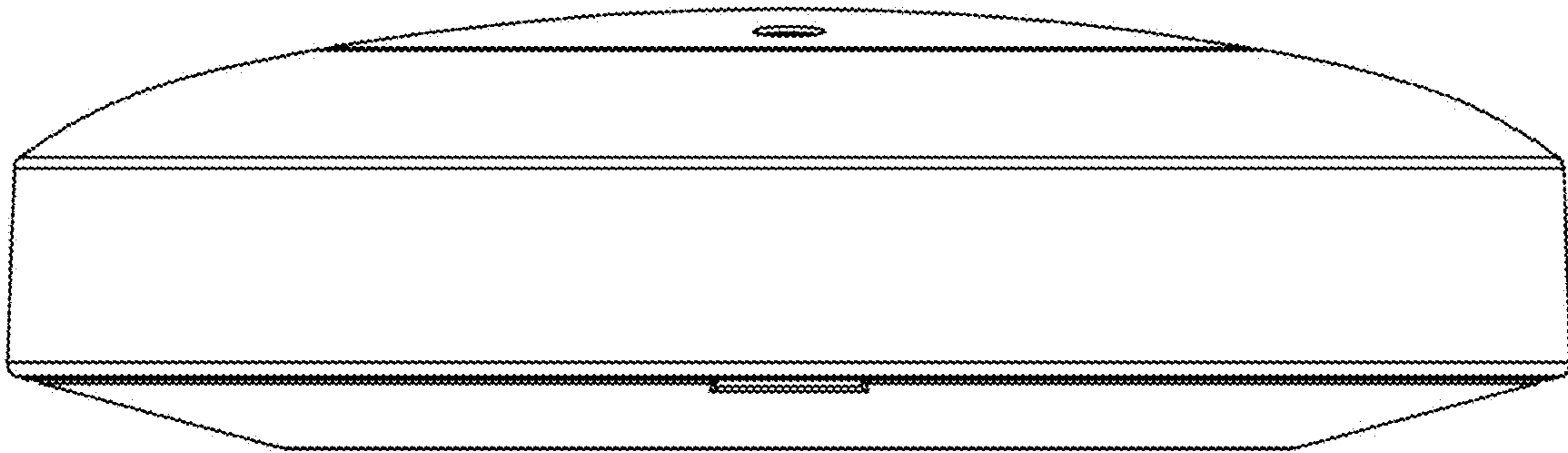
- (56) **References Cited**
 U.S. PATENT DOCUMENTS
 D496,038 S * 9/2004 Floyd D14/363
 D596,622 S * 7/2009 Lee D14/218
 D769,836 S * 10/2016 Axelsson D14/125
 D802,589 S * 11/2017 Fisher D14/218



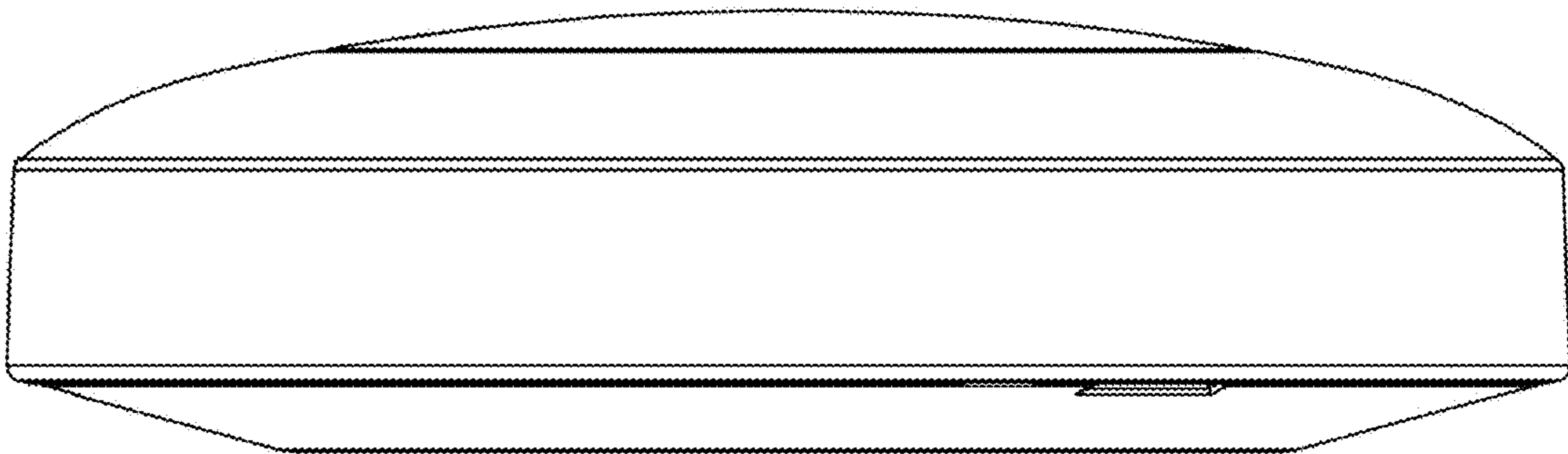
1.1



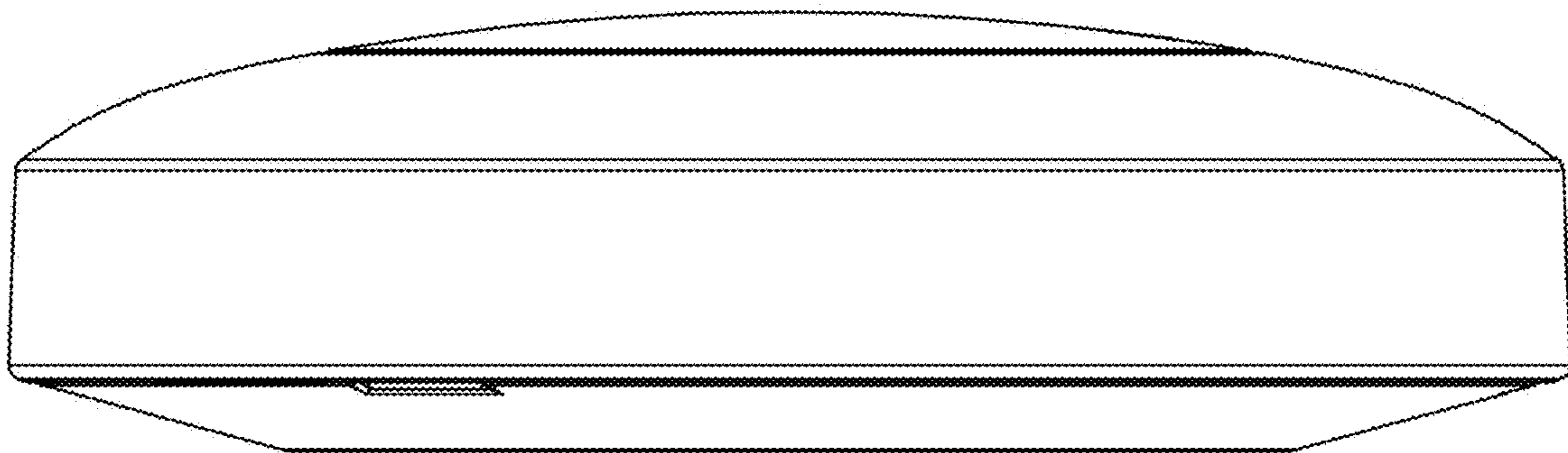
1.2



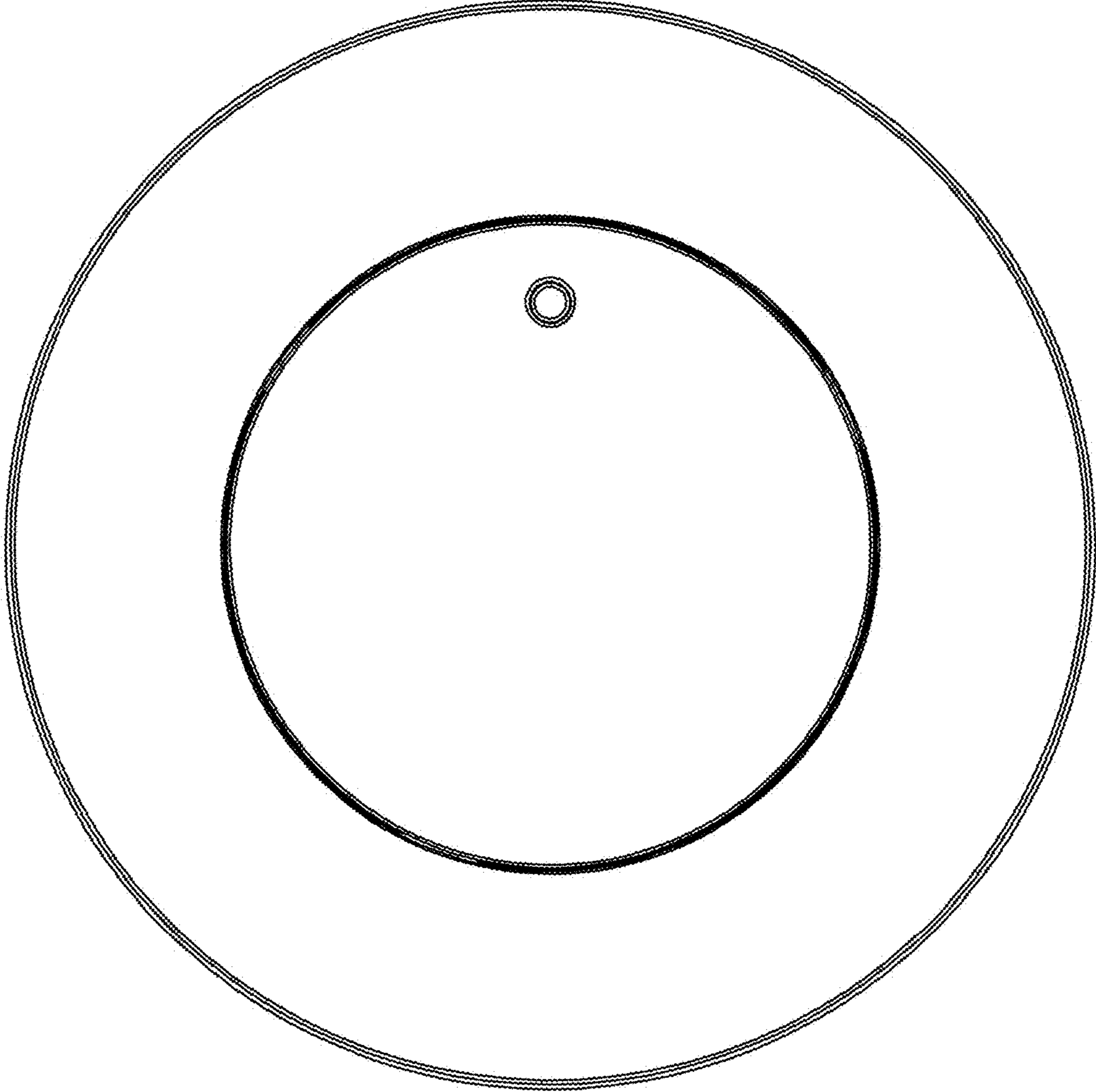
1.3



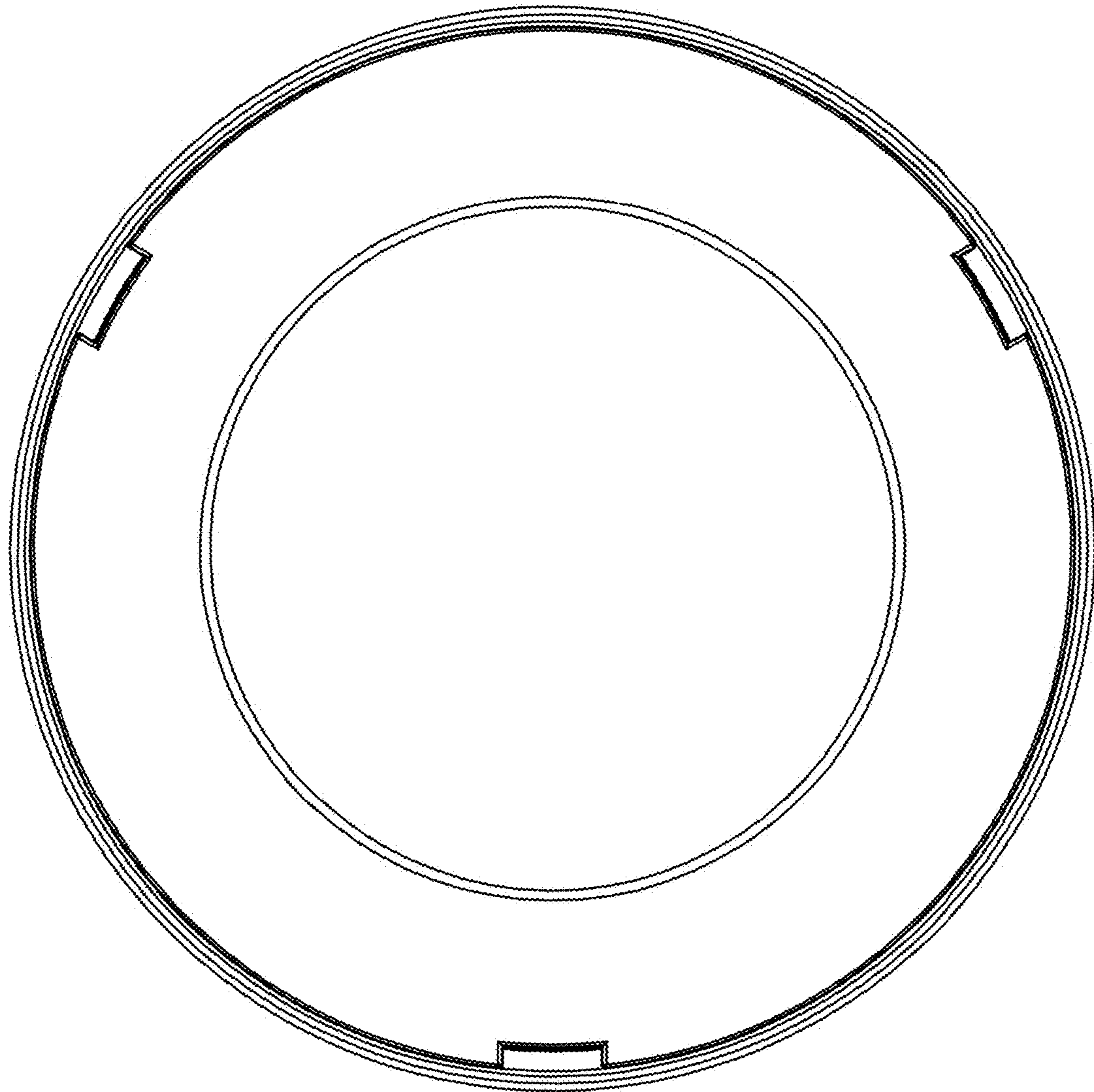
1.4



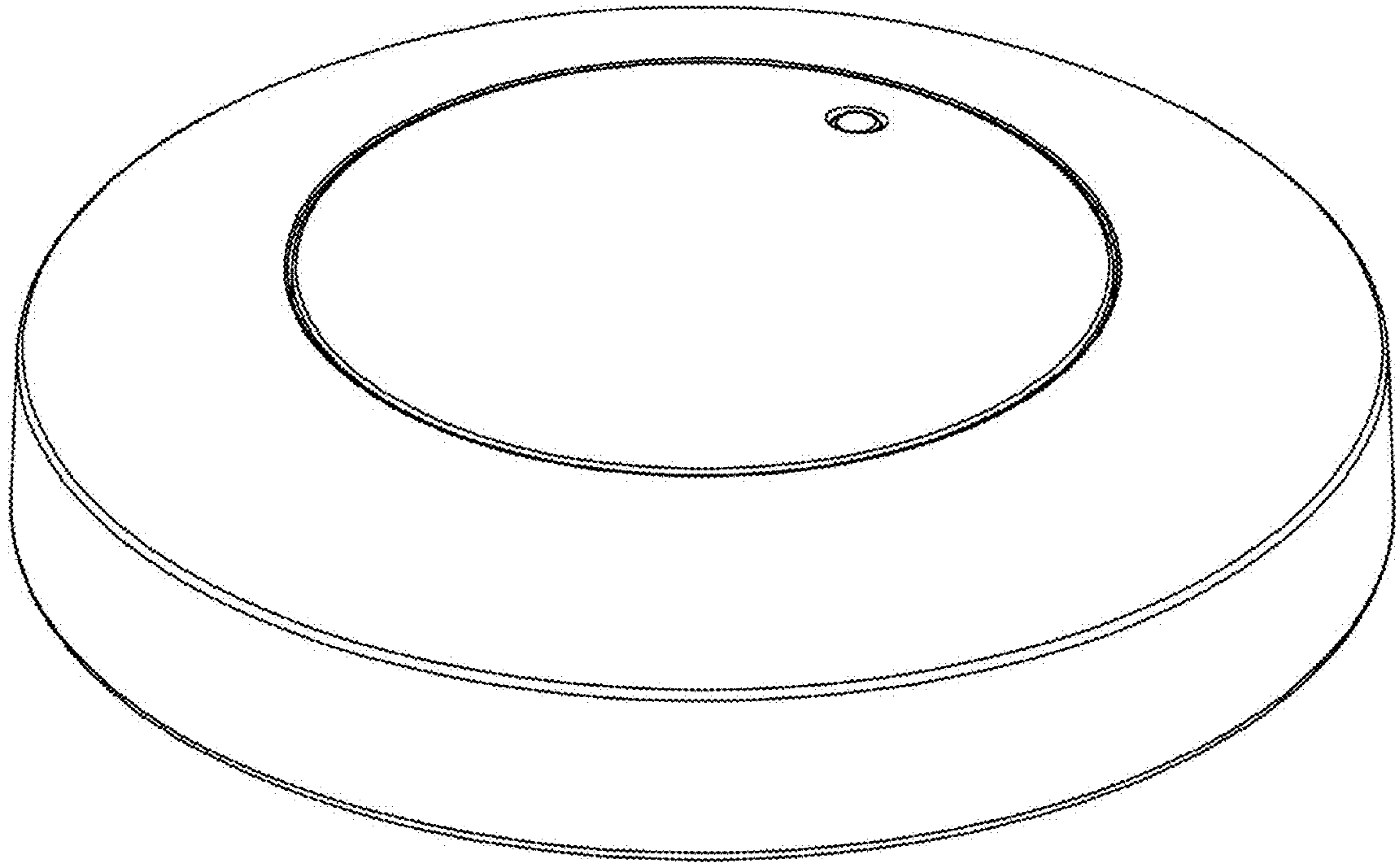
1.5



1.6



1.7



1.8

