



US00D983784S

(12) **United States Design Patent**  
**Park et al.**

(10) **Patent No.:** **US D983,784 S**  
(45) **Date of Patent:** **\*\* Apr. 18, 2023**

(54) **TABLET PC**

(71) Applicant: **Samsung Electronics Co., Ltd.**,  
Suwon-si (KR)

(72) Inventors: **Minhoo Park**, Suwon-si (KR);  
**Keemoon Lee**, Suwon-si (KR);  
**Junghyuck Im**, Suwon-si (KR)

(73) Assignee: **Samsung Electronics Co., Ltd.**,  
Suwon-si (KR)

(\*\*) Term: **15 Years**

(21) Appl. No.: **29/759,663**

(22) Filed: **Nov. 24, 2020**

(30) **Foreign Application Priority Data**

Jun. 10, 2020 (KR) ..... 30-2020-0025941

(51) **LOC (14) Cl.** ..... **14-02**

(52) **U.S. Cl.**  
USPC ..... **D14/341**

(58) **Field of Classification Search**

USPC ..... D14/138 AA, 138 AB, 138 AC, 138 AD,  
D14/138 C, 138 G, 300, 341, 496;  
D21/324, 329

CPC ..... H04B 1/3888; H04M 1/0202; H04M  
1/0266; H04M 1/725; A45C 1/14; A45C  
11/00; A45C 13/02; A45C 2011/002;  
A45C 2011/003; A45F 2200/0525; A45F  
2200/0516; G06F 1/1626; G06F 1/1628;  
G06F 1/1629; G06F 1/1669; G06F  
1/1679; G06F 3/041; G06F 3/0412; G06F  
3/0416;

(Continued)

(56) **References Cited**

**U.S. PATENT DOCUMENTS**

D639,805 S \* 6/2011 Song ..... D14/138 G  
D667,006 S \* 9/2012 Van Den Nieuwenhuizen .....  
D14/341  
D667,400 S \* 9/2012 Van Den Nieuwenhuizen .....  
D14/341

(Continued)

**FOREIGN PATENT DOCUMENTS**

KR 301094758.0000 \* 2/2021

**OTHER PUBLICATIONS**

Samsung Galaxy Tab Active2 8" Ruggedized Tablet Wi-Fi 16GB,  
Black (SM-T390NZKAXAR), www.amazon.com, Dec. 1, 2017.  
[https://www.amazon.com/Samsung-SM-T390NZKAXAR-Galaxy-Active2-Ruggedized/dp/B07856DNSX/ref=psdc\\_1232597011\\_t1\\_B08T7TZK8B](https://www.amazon.com/Samsung-SM-T390NZKAXAR-Galaxy-Active2-Ruggedized/dp/B07856DNSX/ref=psdc_1232597011_t1_B08T7TZK8B) (Year: 2017).\*

(Continued)

*Primary Examiner* — Llorelys Martinez

*Assistant Examiner* — Kwabena A. Ankobiah

(74) *Attorney, Agent, or Firm* — NSIP Law

(57) **CLAIM**

We claim the ornamental design for a tablet PC, as shown and described.

**DESCRIPTION**

FIG. 1 is a front perspective view of a tablet PC showing our new design;

FIG. 2 is a front view thereof;

FIG. 3 is a rear view thereof;

FIG. 4 is a left-side view thereof;

FIG. 5 is a right-side view thereof;

FIG. 6 is a top view thereof;

FIG. 7 is a bottom view thereof;

FIG. 8 is a rear perspective view thereof.

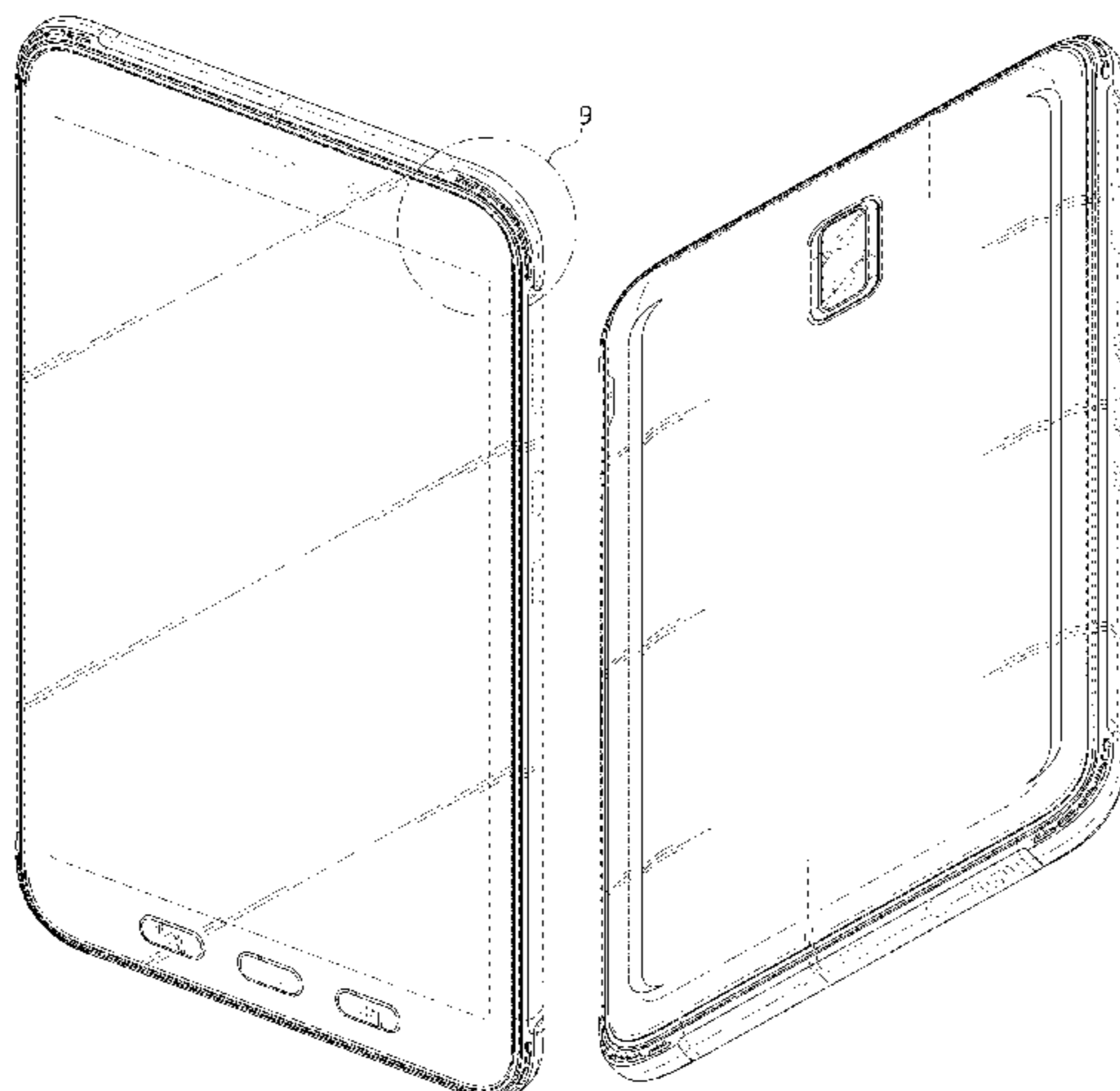
FIG. 9 is an enlarged view of the encircled portion in FIG. 1; and,

FIG. 10 is an enlarged view of the encircled portion in FIG. 2.

The broken lines in the drawings represent portions of the tablet PC that form no part of the claimed design.

The dot-dot-dash broken lines in FIGS. 1, 2, 9 and 10 are included to show a partially enlarged view only and form no part of the claimed design.

**1 Claim, 8 Drawing Sheets**



(58) **Field of Classification Search**

CPC . G06F 3/0488; G06F 3/04883; G06F 3/04886

See application file for complete search history.

(56) **References Cited**

U.S. PATENT DOCUMENTS

D683,730	S	*	6/2013	Akana	.....	D14/493
D689,856	S	*	9/2013	Shen	.....	D14/341
D716,798	S	*	11/2014	Kurimoto	.....	D14/341
D749,588	S	*	2/2016	Cox	.....	D14/203.7
D767,562	S	*	9/2016	Jang	.....	D14/341
D801,330	S	*	10/2017	Morgan	.....	D14/341
D842,852	S	*	3/2019	Kim	.....	D14/341
D922,372	S	*	6/2021	Ham	.....	D14/341
D922,373	S	*	6/2021	Yeo	.....	D14/341
D923,619	S	*	6/2021	Matsumoto	.....	D14/341
D944,241	S	*	2/2022	Yum	.....	D14/341
D954,047	S	*	6/2022	Yum	.....	D14/341
D964,985	S	*	9/2022	Akana	.....	D14/341

OTHER PUBLICATIONS

Samsung Galaxy Tab Active2 review, [www.techadvisor.com](http://www.techadvisor.com), Aug. 9, 2018. <https://www.techadvisor.com/article/719340/samsung-galaxy-tab-active2-review.html> (Year: 2018).\*

\* cited by examiner

FIG. 1

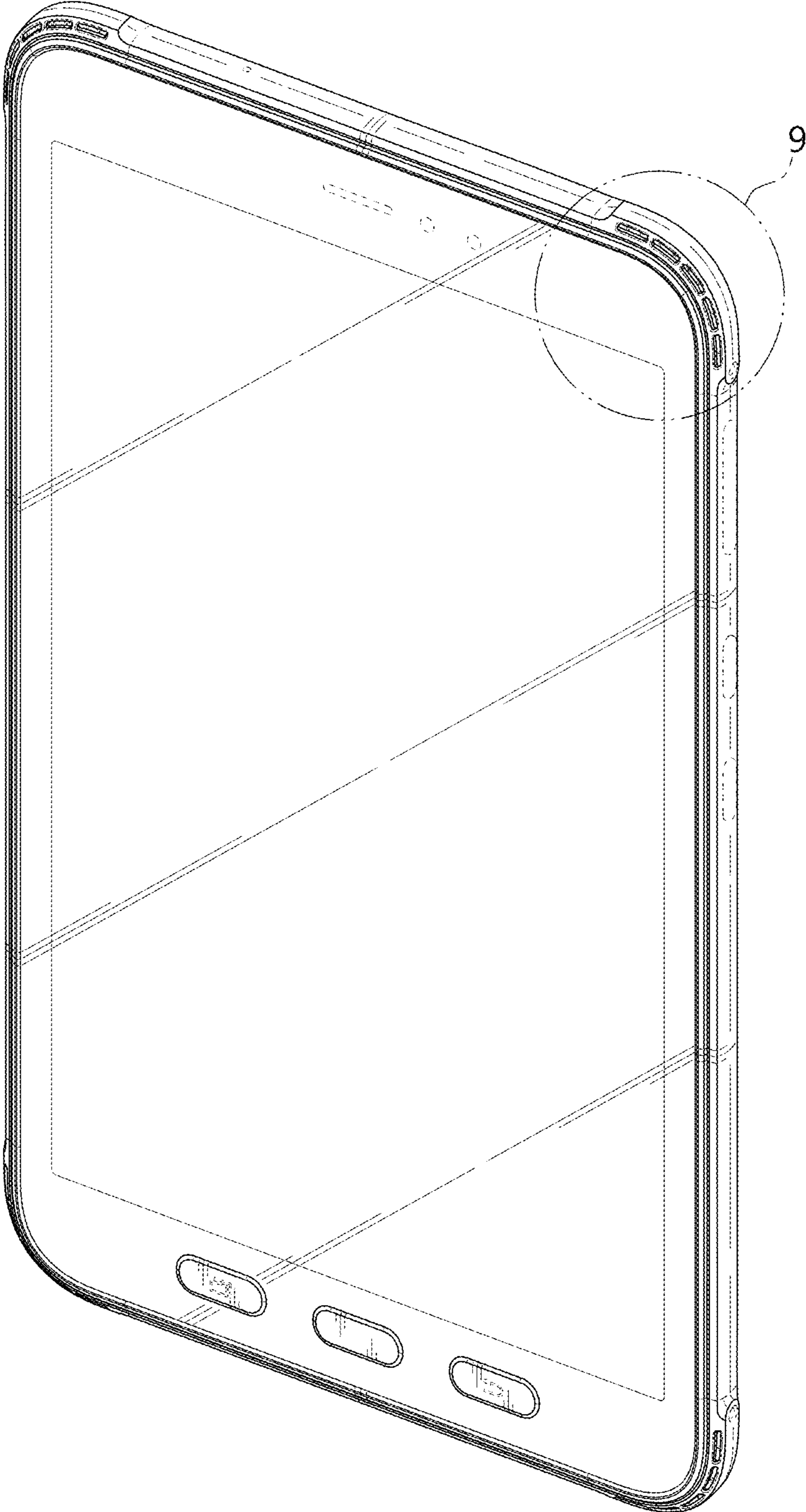


FIG. 2

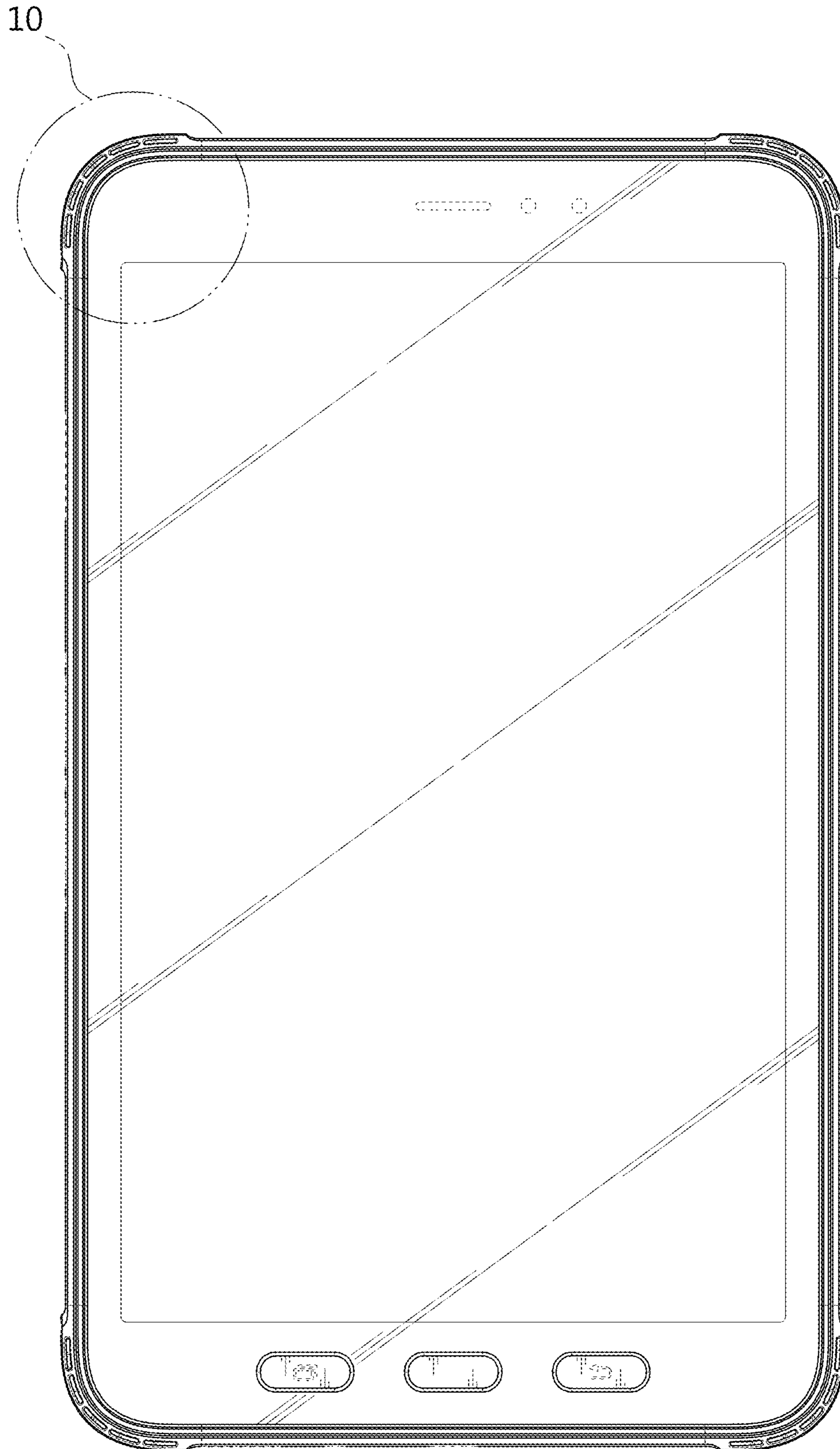


FIG. 3

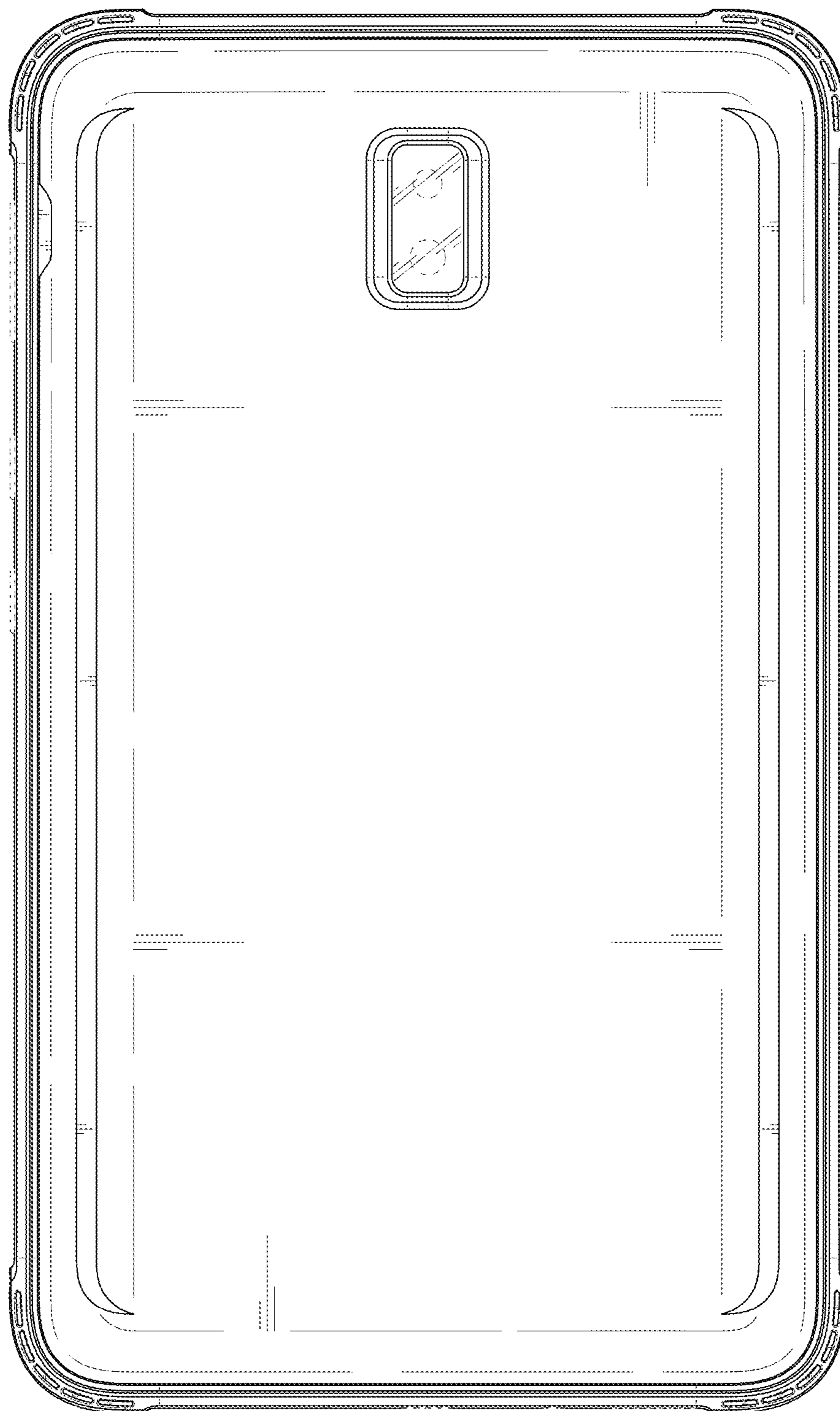


FIG. 4

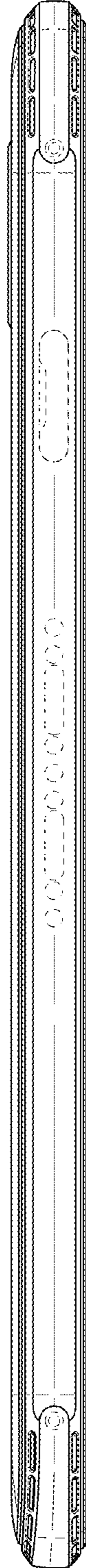


FIG. 5

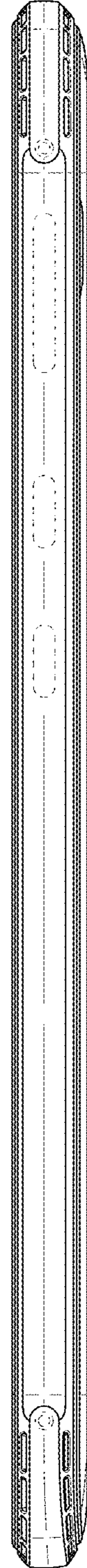


FIG. 6



FIG. 7

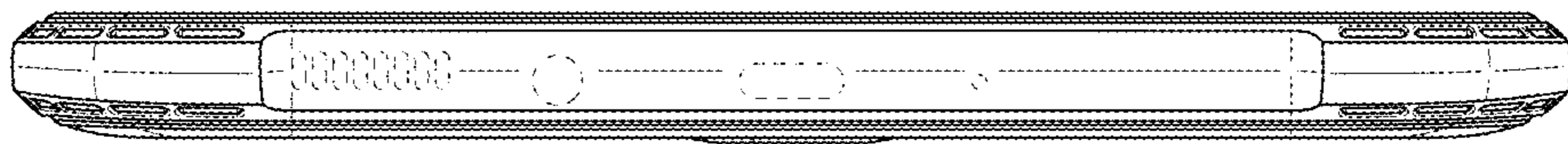


FIG. 8

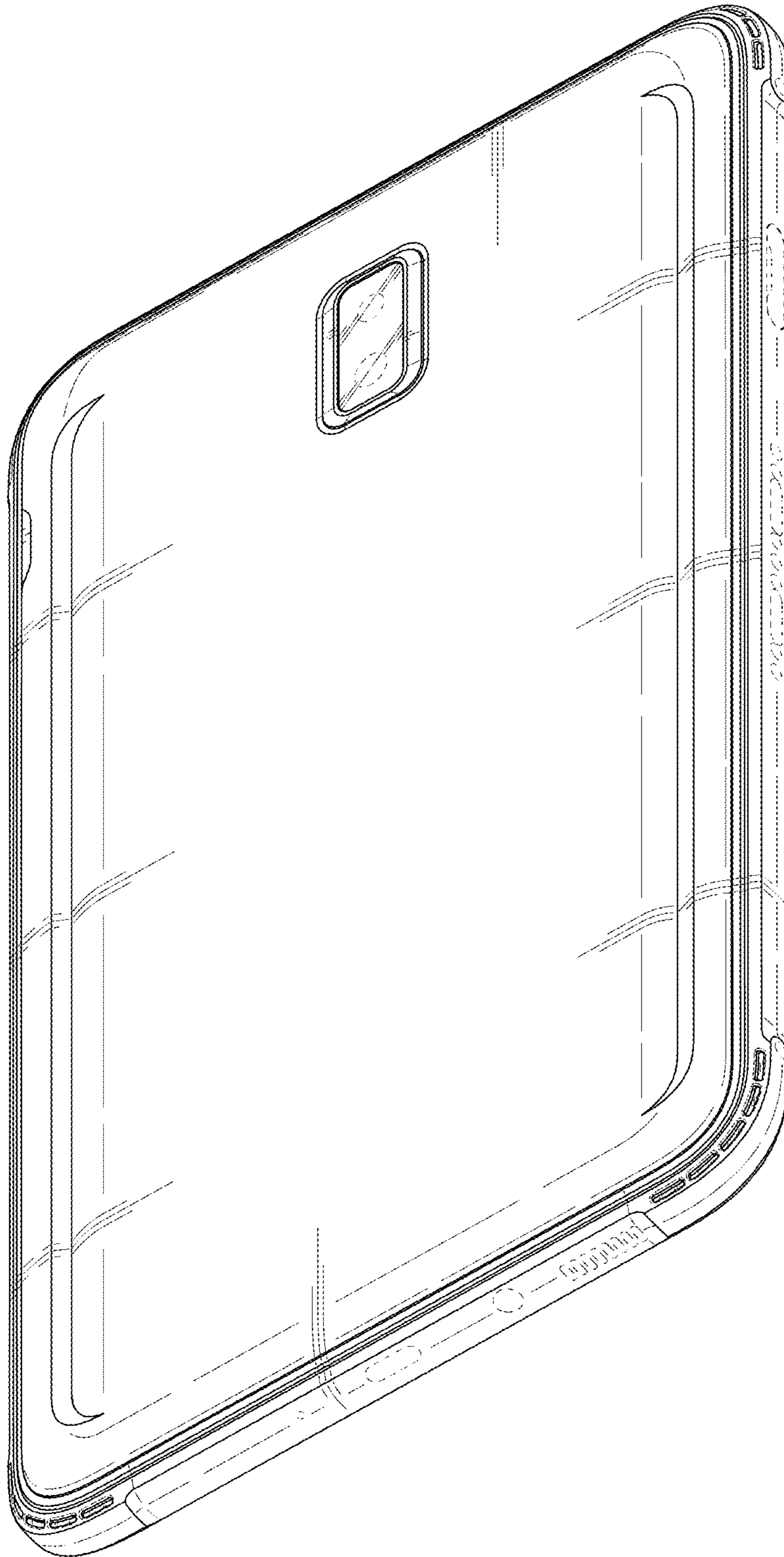




FIG. 9

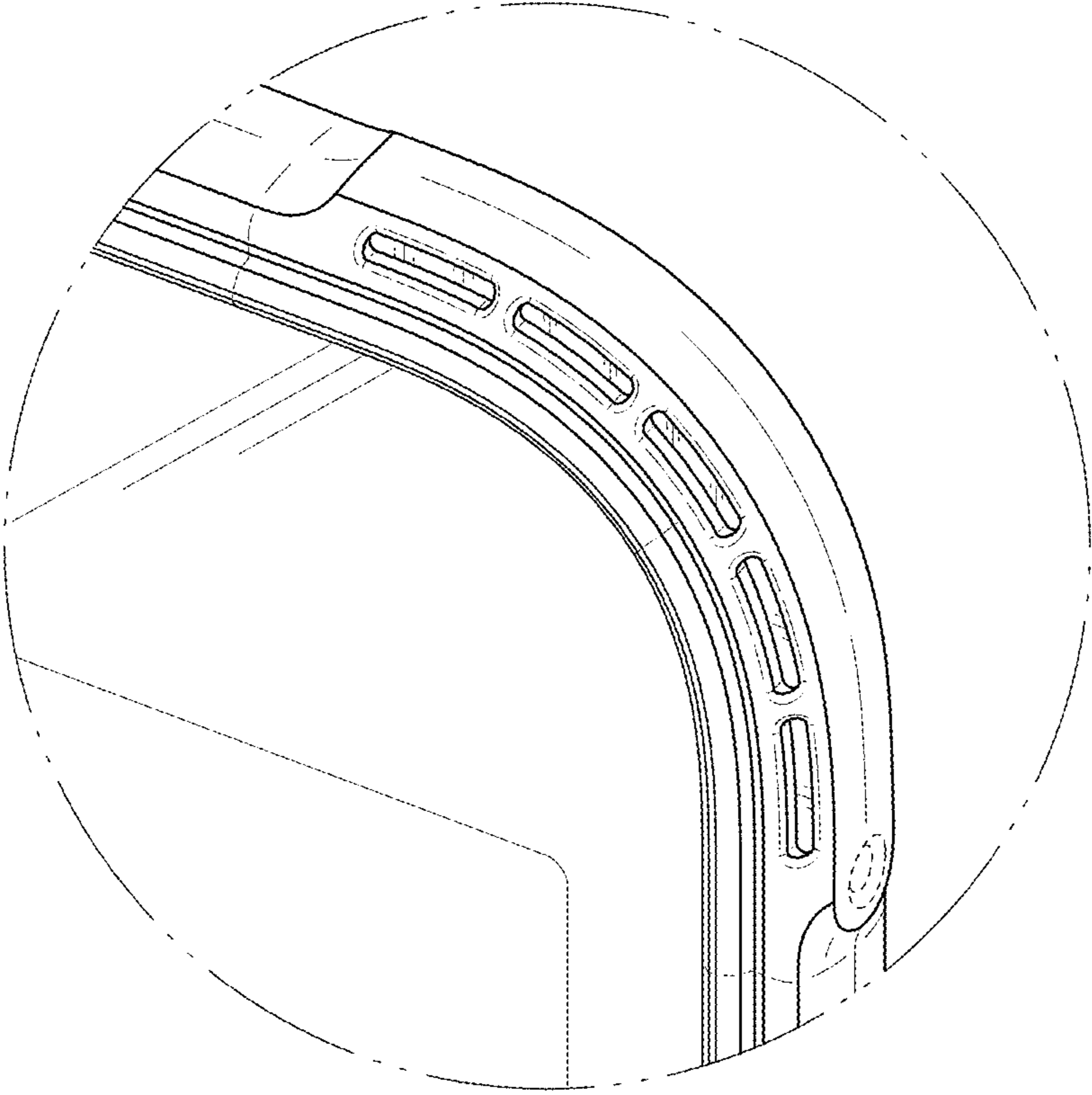


FIG. 10

