



US00D983782S

(12) **United States Design Patent**
Lin

(10) **Patent No.:** **US D983,782 S**
(45) **Date of Patent:** **** Apr. 18, 2023**

(54) **MOBILE DEVICE STAND**

D947,169 S * 3/2022 Jiao D14/253
D949,842 S * 4/2022 Qiu D12/407
D959,420 S * 8/2022 Gan D14/253

(71) Applicants: **SOLUTION EXPERT 33 INTERNATIONAL CO., LTD.**,
Tortola (VG); **Po-Hsun Lin**

(Continued)

Primary Examiner — Janice Hallmark

(72) Inventor: **Ben-Tien Lin**, New Taipei (TW)

(74) *Attorney, Agent, or Firm* — Rosenberg, Klein & Lee

(73) Assignees: **Solution Expert 33 International Co., Ltd.**,
Tortola (VG); **Po-Hsun Lin**, New Taipei (TW)

(57) **CLAIM**

The ornamental design for a mobile device stand, as shown and described.

(**) Term: **15 Years**

DESCRIPTION

(21) Appl. No.: **29/784,616**

FIG. 1 is a front perspective view of a mobile device stand; FIG. 2 is a front view of the mobile device stand in FIG. 1; FIG. 3 is a rear view of the mobile device stand in FIG. 1; FIG. 4 is a left-side view of the mobile device stand in FIG. 1;

(22) Filed: **May 20, 2021**

FIG. 5 is a right-side view of the mobile device stand in FIG. 1;

(30) **Foreign Application Priority Data**

Apr. 19, 2021 (CN) 202130221869.X

FIG. 6 is a top view of the mobile device stand shown in FIG. 1;

(51) **LOC (14) Cl.** **14-03**

FIG. 7 is a bottom view of the mobile device stand shown in FIG. 1;

(52) **U.S. Cl.**

USPC **D14/253**

FIG. 8 is a perspective view of the mobile device stand in FIG. 1 after being folded;

(58) **Field of Classification Search**

USPC D14/251–253, 447; D13/108; D12/415

FIG. 9 is another perspective view of the mobile device stand in FIG. 1 after being folded;

CPC H04M 1/04; H04M 1/21; H04M 1/06;

H04M 1/12; G06F 1/1632; G06F 1/203;

G06F 1/1628

FIG. 10 is another perspective view of the mobile device stand in FIG. 1 after being folded;

See application file for complete search history.

FIG. 11 is a side view of the mobile device stand when in use; and,

(56) **References Cited**

U.S. PATENT DOCUMENTS

D903,652 S * 12/2020 Qiu D14/253

FIG. 12 is a perspective view of the mobile device stand when in use.

D910,612 S * 2/2021 Xiao D14/253

The broken lines in FIGS. 3, 8, 9, 10, and 12 illustrate portions of the mobile device stand and form no part of the claimed design. The broken lines in FIGS. 11 and 12 showing a mobile device illustrate environmental subject matter and form no part of the claimed design.

D916,694 S * 4/2021 Xiao D14/253

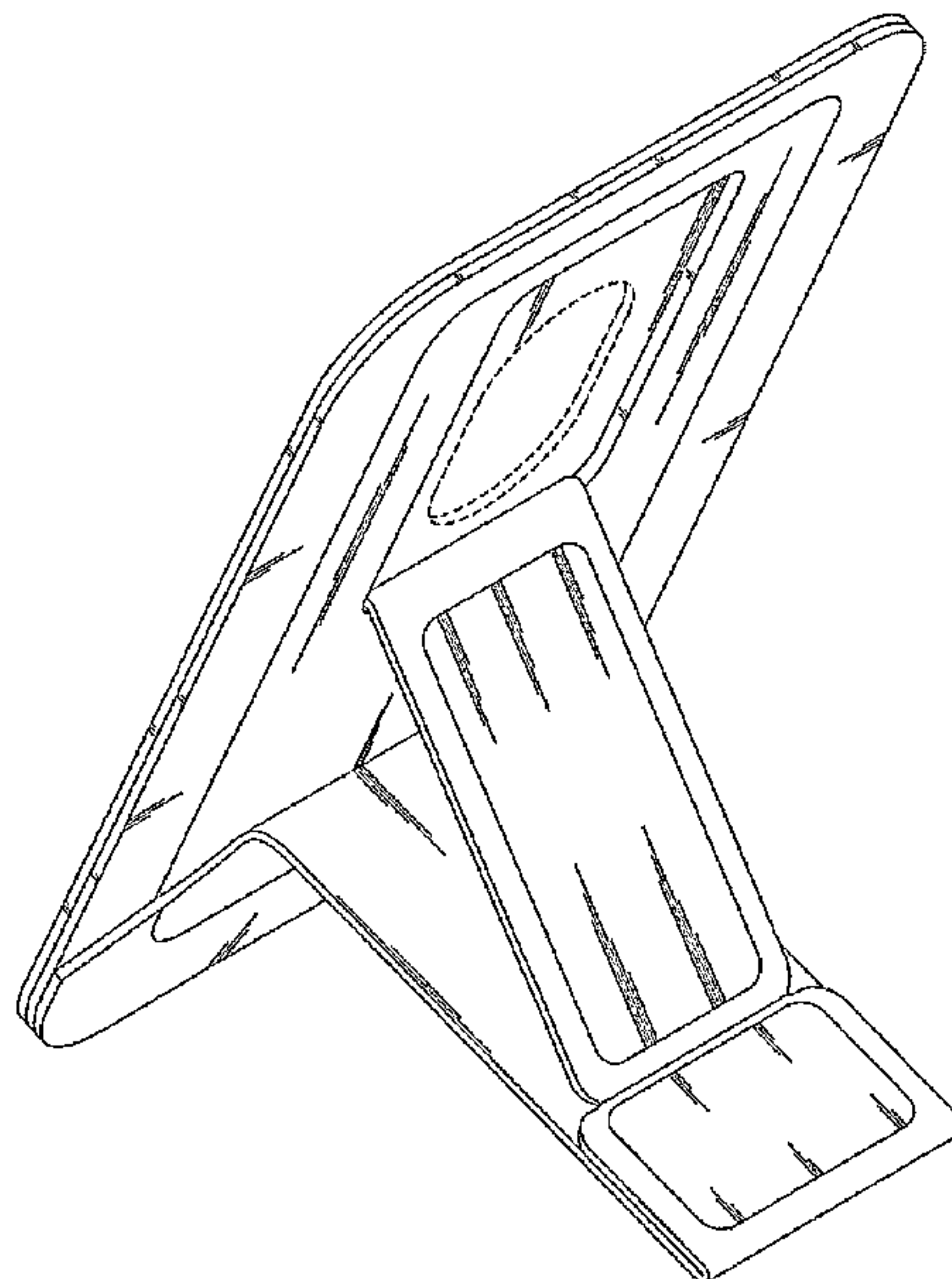
D931,270 S * 9/2021 Qiu D14/253

D936,645 S * 11/2021 Deng D12/114

D946,565 S * 3/2022 Liu D3/218

D947,168 S * 3/2022 Jiao D14/253

1 Claim, 11 Drawing Sheets



(56)

References Cited

U.S. PATENT DOCUMENTS

D960,143 S	*	8/2022	Wu	D14/253
D960,144 S	*	8/2022	Yuan	D14/253
D960,145 S	*	8/2022	Zhou	D14/253
D963,636 S	*	9/2022	Gan	D14/253
D971,202 S	*	11/2022	Wang	D14/253

* cited by examiner

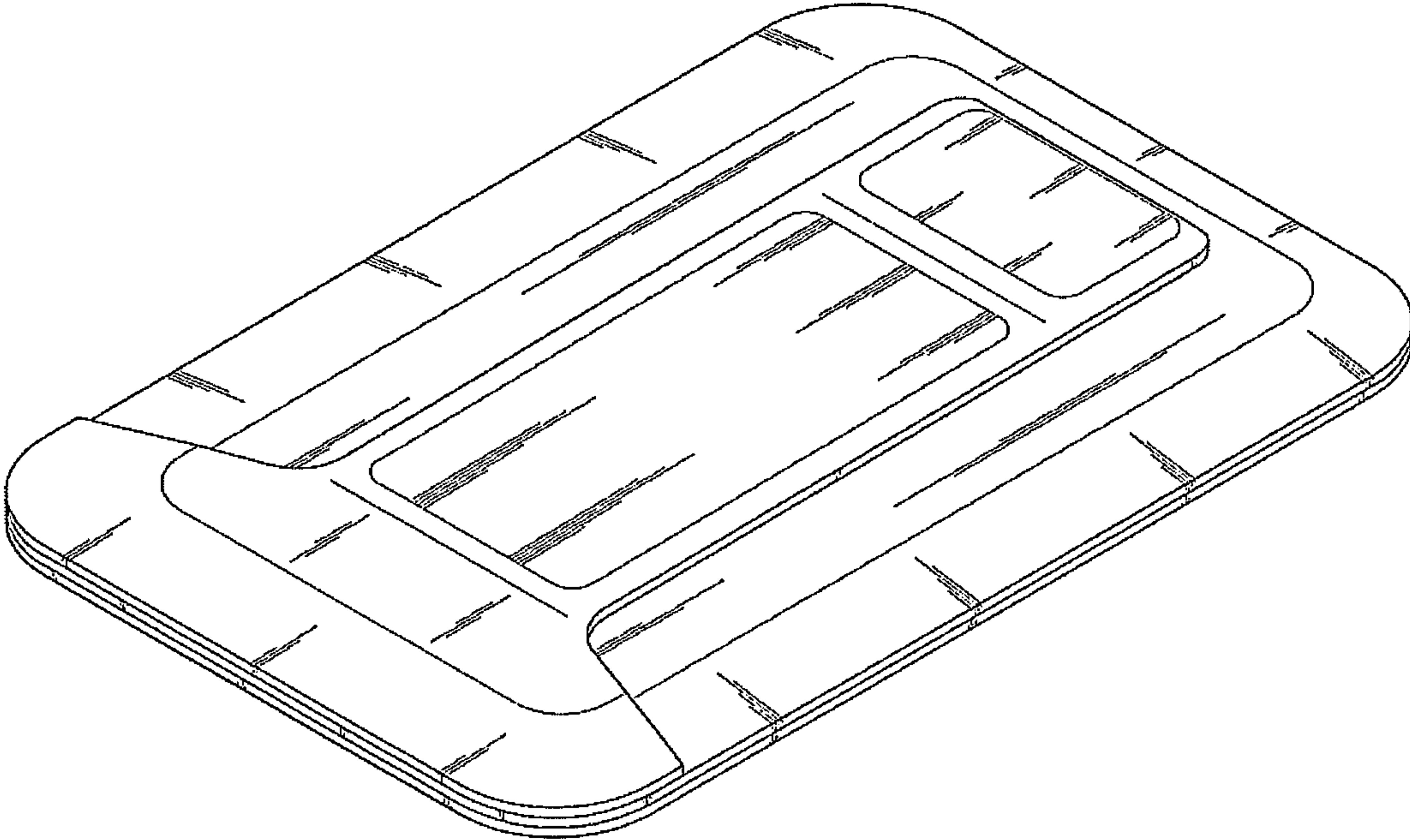


FIG. 1

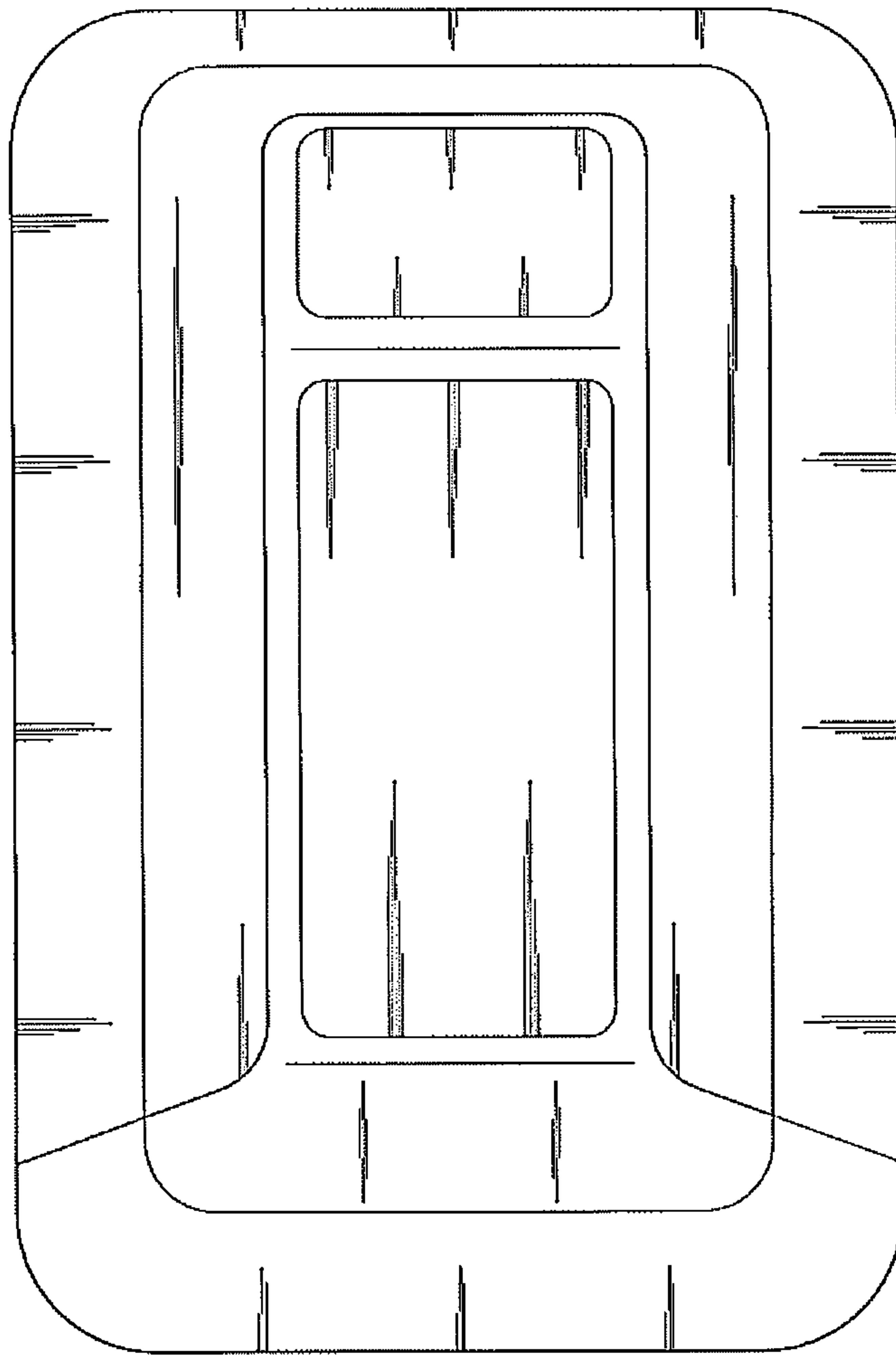


FIG. 2

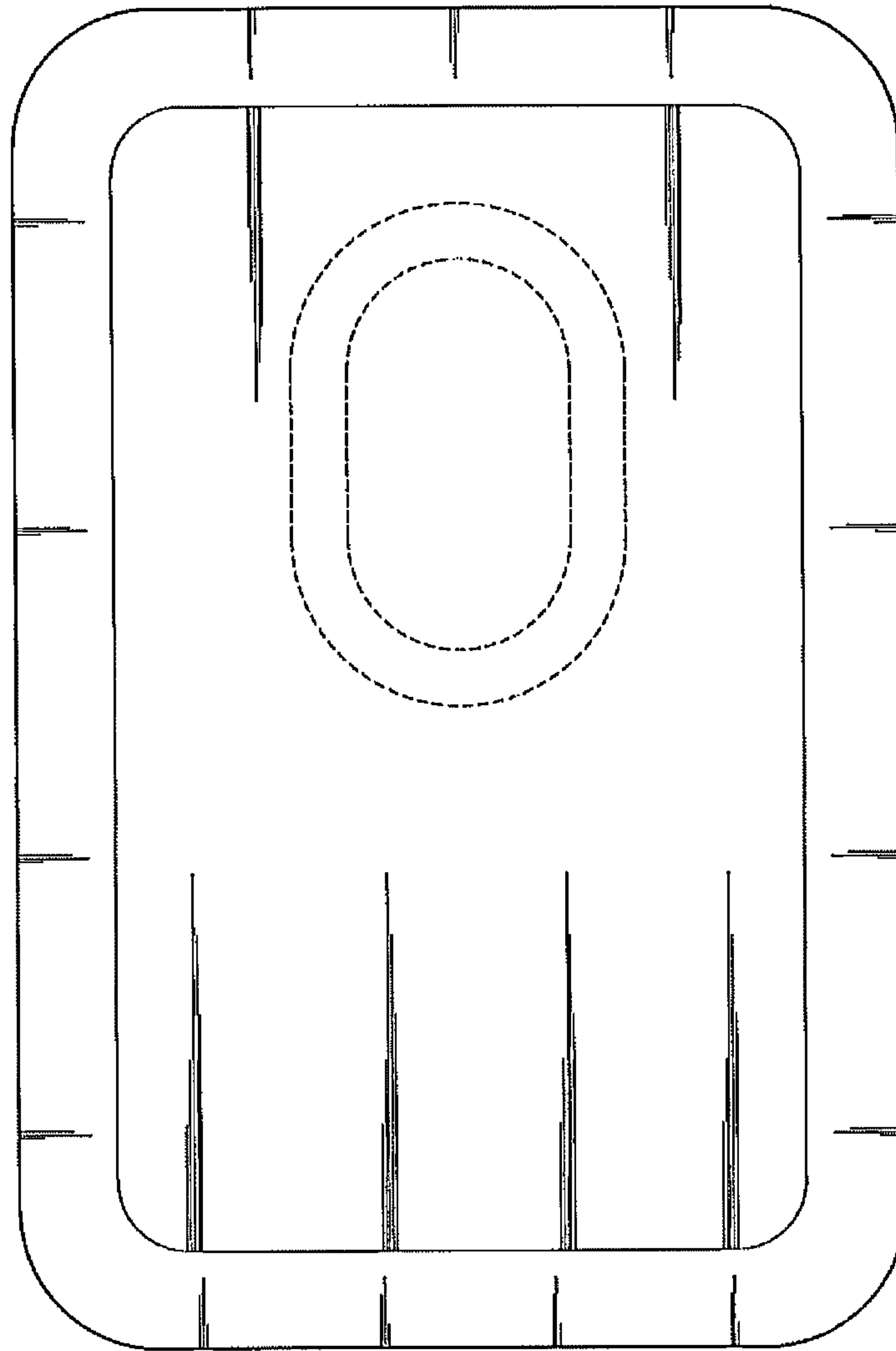


FIG. 3

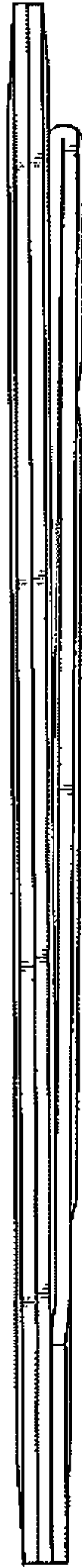


FIG. 4

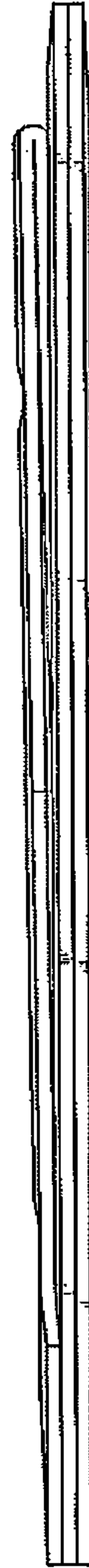


FIG. 5

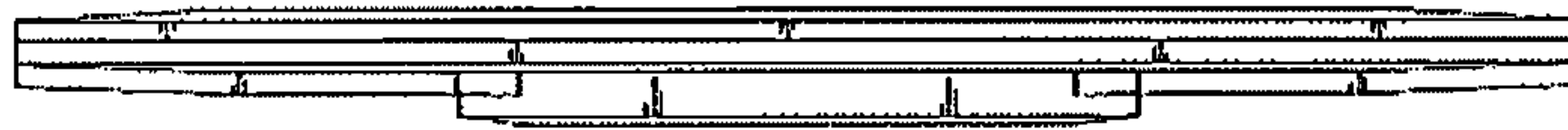


FIG. 6

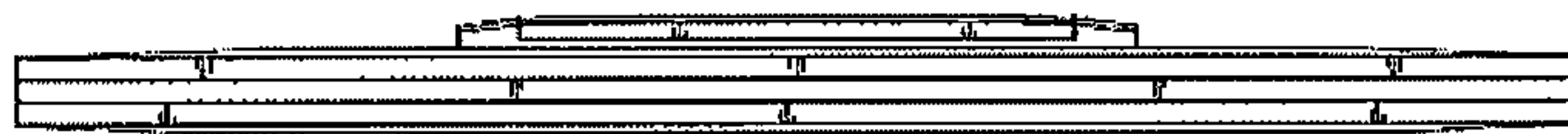


FIG. 7

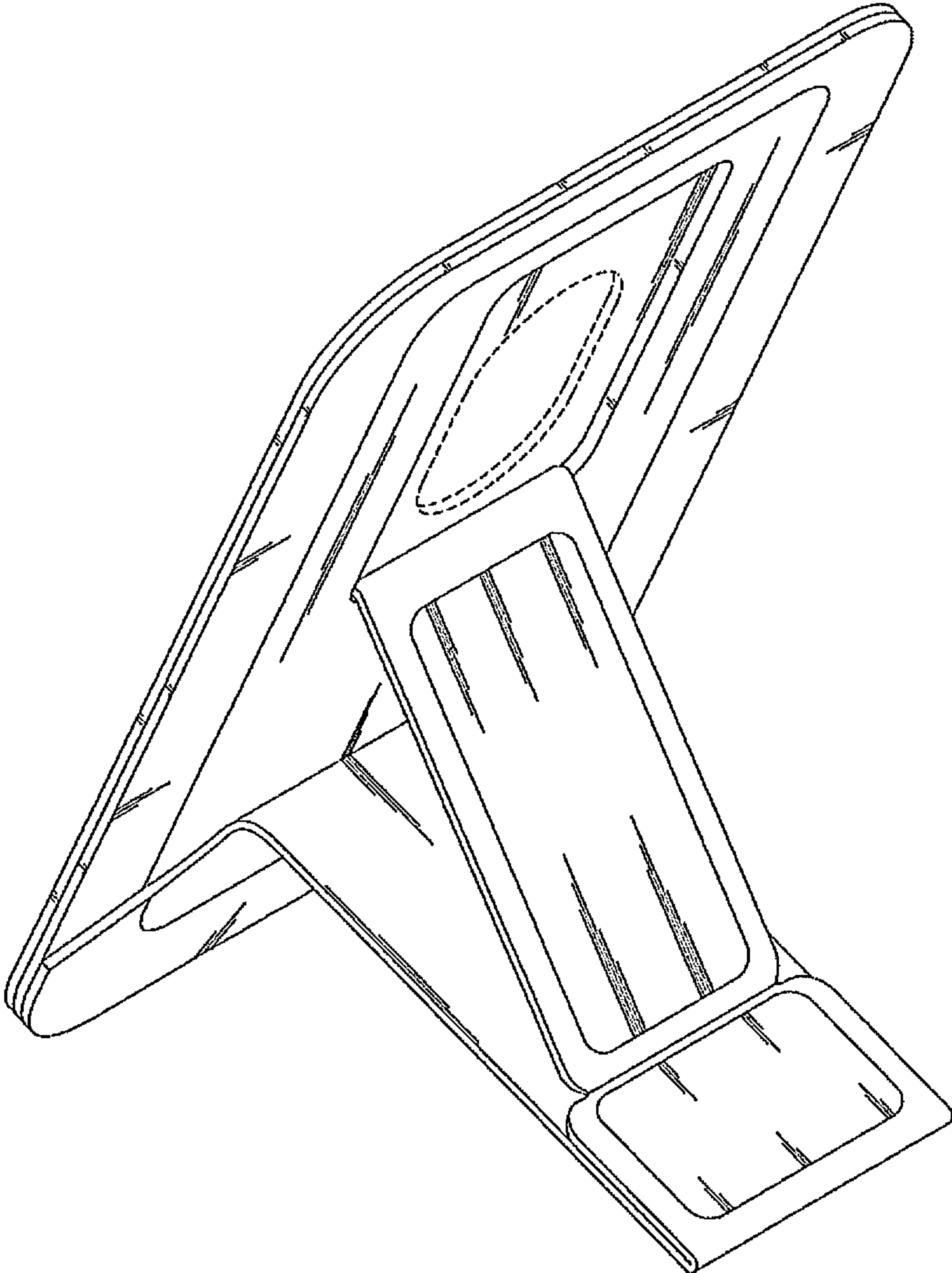


FIG. 8

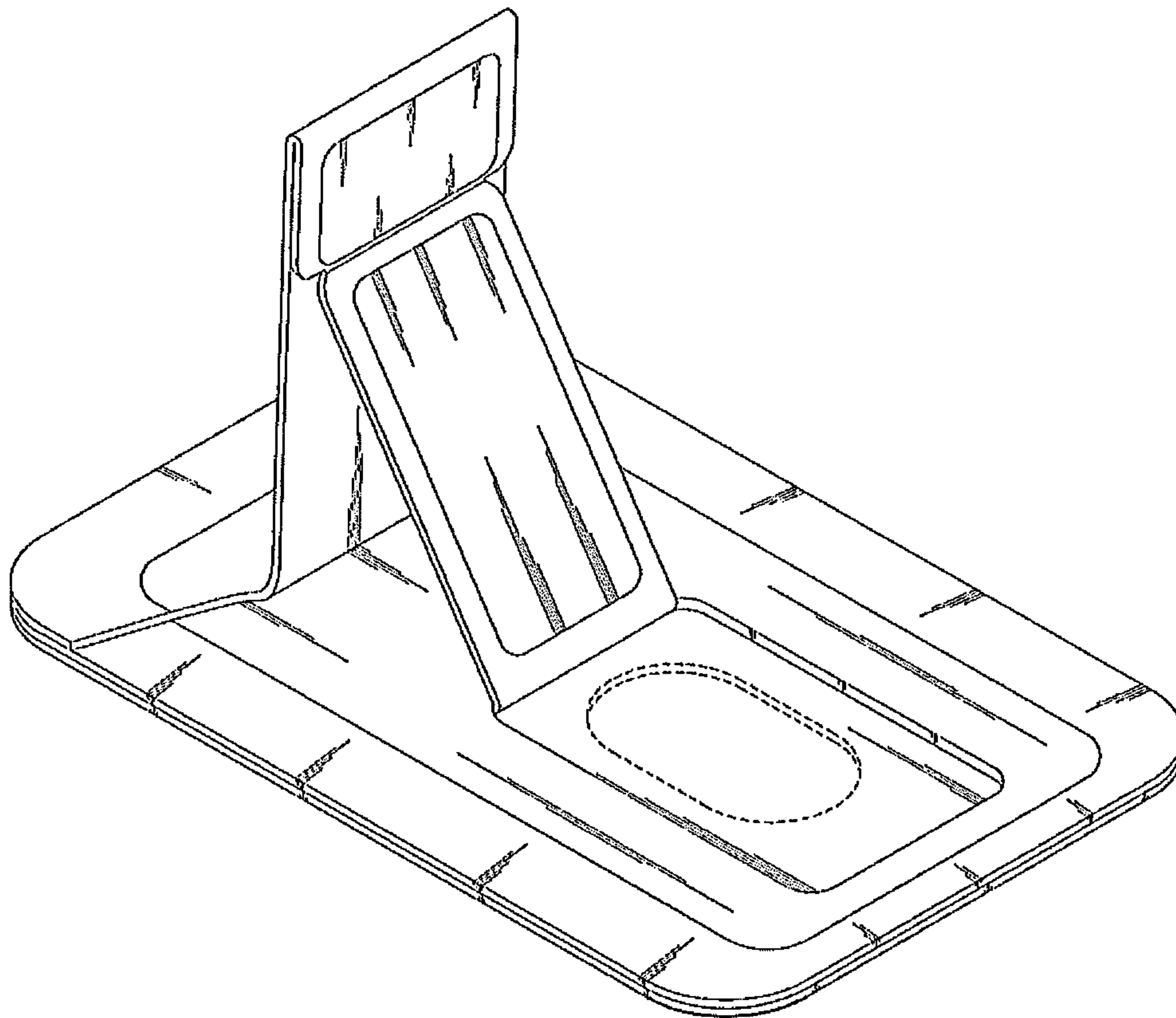


FIG. 9

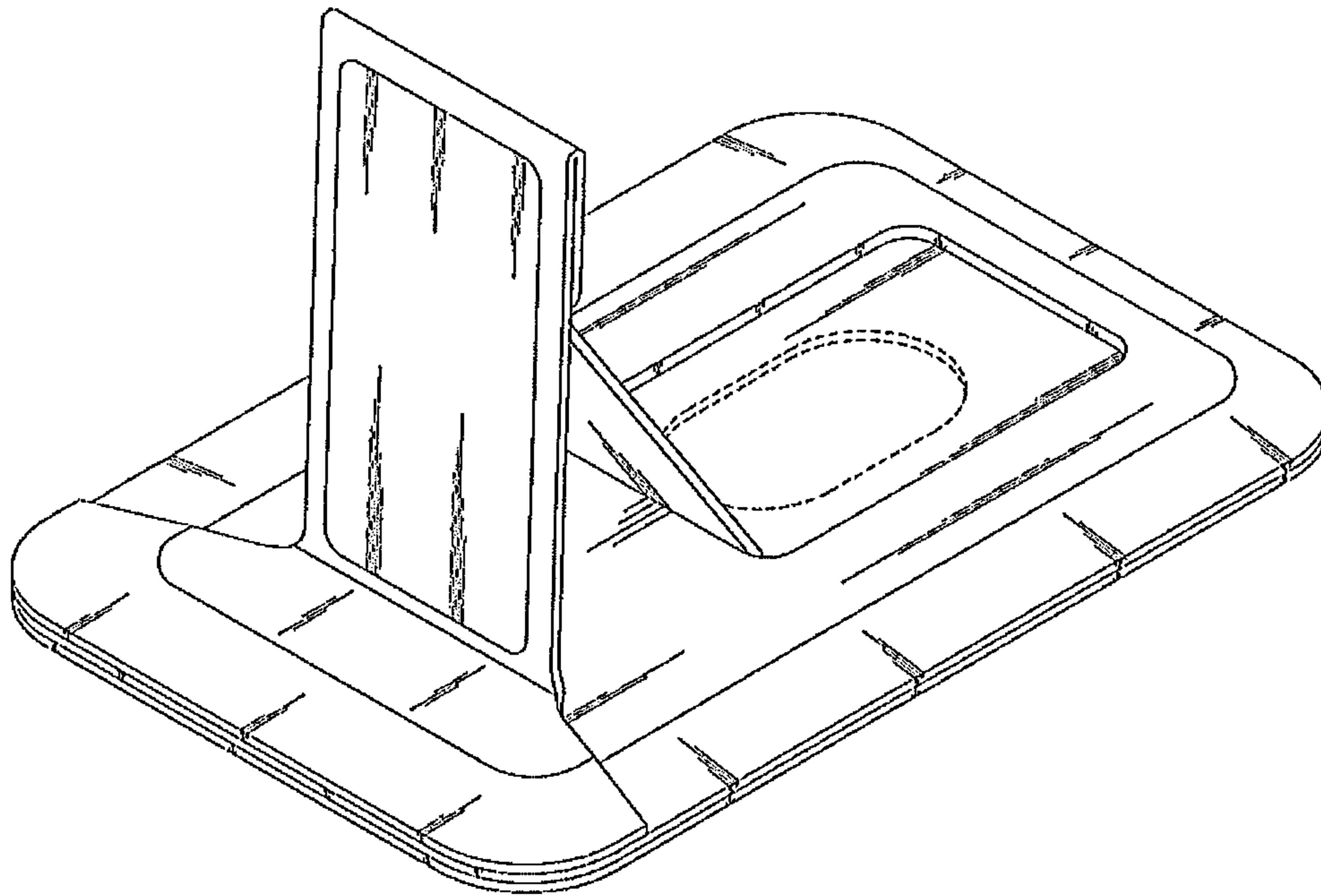


FIG. 10

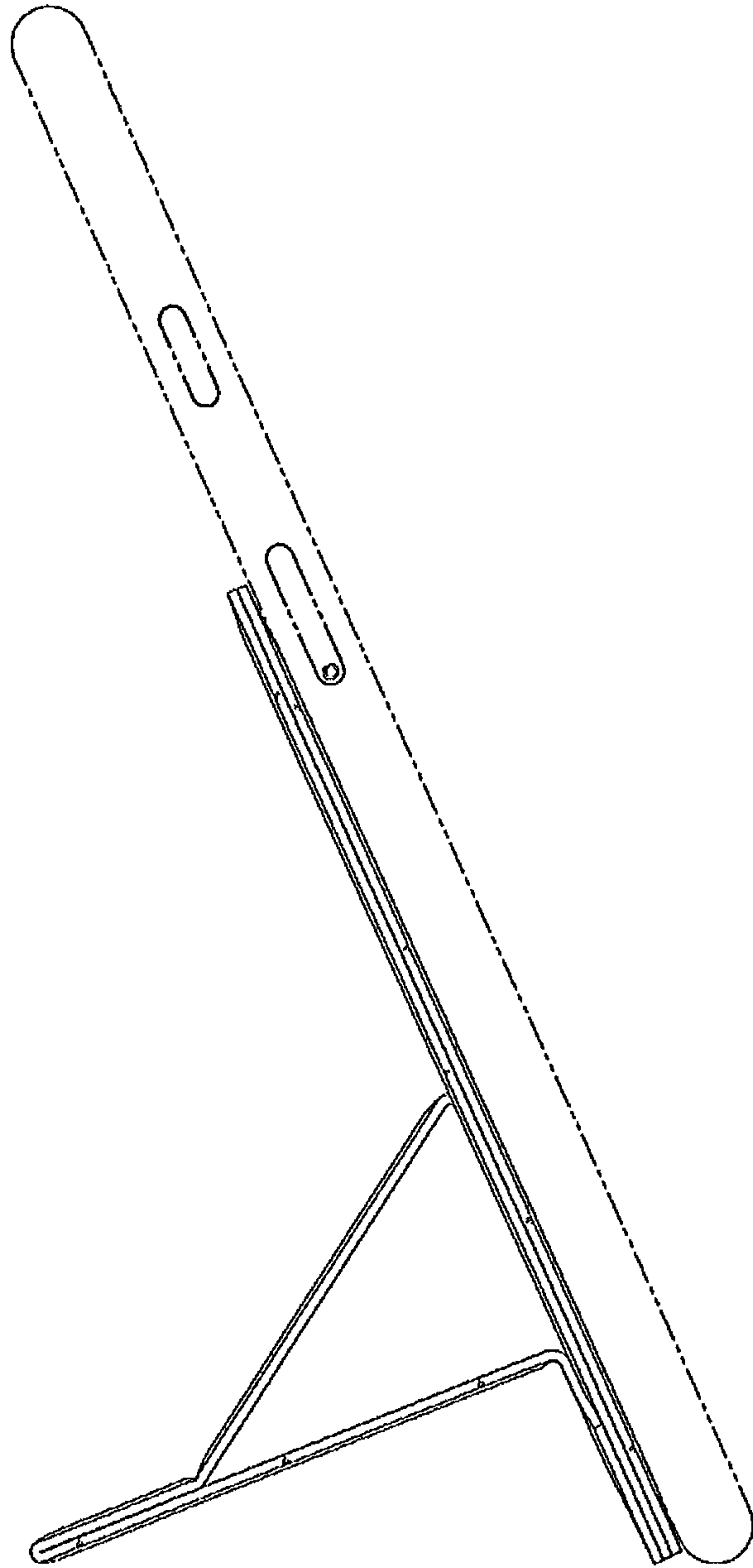


FIG. 11

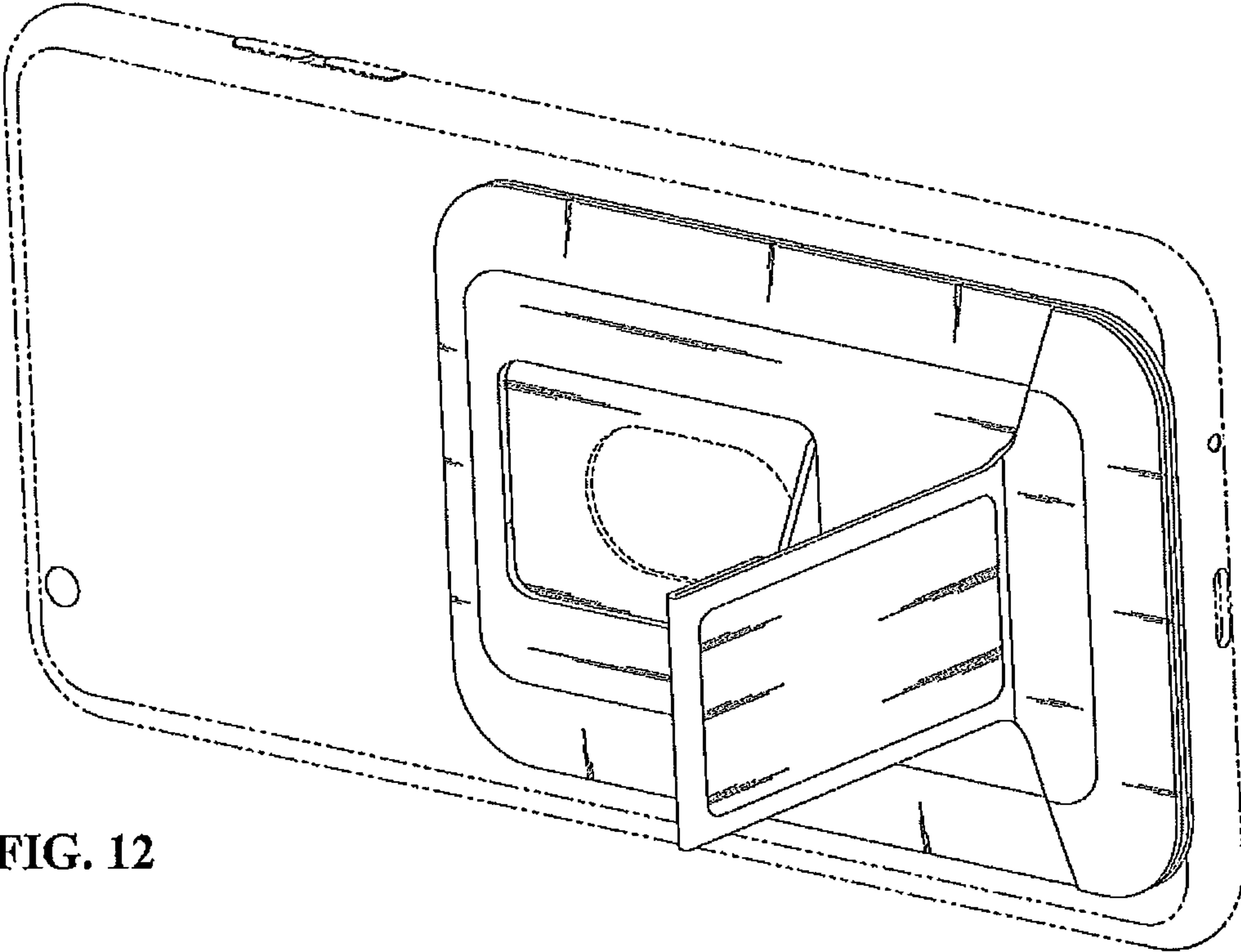


FIG. 12