



US00D983781S

(12) **United States Design Patent**
Huang

(10) **Patent No.:** **US D983,781 S**

(45) **Date of Patent:** **** Apr. 18, 2023**

(54) **MOBILE PHONE HOLDER**

(71) Applicant: **Huanhuan Huang**, Shenzhen (CN)

(72) Inventor: **Huanhuan Huang**, Shenzhen (CN)

(**) Term: **15 Years**

(21) Appl. No.: **29/756,502**

(22) Filed: **Oct. 29, 2020**

(51) **LOC (14) Cl.** **14-99**

(52) **U.S. Cl.**
USPC **D14/253**; D12/415; D8/354

(58) **Field of Classification Search**
USPC ... D14/251-253, 224, 224.1, 447, 451, 452;
D12/114, 415, 426.1, 223; D3/218;
D8/354, 356, 367, 372, 373; D6/567,
D6/572

CPC . B60R 11/00; B60R 11/0241; B60R 11/0252;
B60R 2011/0003; B60R 2011/0005;
B60R 2011/0008; H04M 1/04; A45C
2011/002; A45C 2011/003; A45F
2200/0516; A45F 2200/0525

See application file for complete search history.

(56) **References Cited**

U.S. PATENT DOCUMENTS

3,151,222	A	*	9/1964	Persson	H04M 1/08	379/426
D229,944	S	*	1/1974	Eddy	D14/253	
D254,068	S	*	1/1980	Haley	D14/253	
D377,003	S	*	12/1996	Shimazu	D12/223	
D394,840	S	*	6/1998	Young	D12/421	
D395,545	S	*	6/1998	Crim, Jr.	D3/218	
D415,980	S	*	11/1999	Wright	D12/407	
D578,521	S	*	10/2008	Sergi	D8/354	
D689,045	S	*	9/2013	Mardas	D14/253	
D735,170	S	*	7/2015	Colvin	D14/224	
D758,951	S	*	6/2016	Unterlechner	D12/415	
D765,581	S	*	9/2016	Pumphrey	D12/416	

D767,471	S	*	9/2016	Jones	D12/425	
D784,900	S	*	4/2017	Itou	D12/223	
D826,029	S	*	8/2018	Granberg	D8/349	
D853,377	S	*	7/2019	Crandon	D8/349	
D857,610	S	*	8/2019	Meldrum	D12/415	
D907,024	S	*	1/2021	Ji	D8/382	
D908,471	S	*	1/2021	Cronkhite	D8/354	
D916,521	S	*	4/2021	Cao	D6/574	
D923,542	S	*	6/2021	Zonza, Jr.	D12/177	
D945,857	S	*	3/2022	Smith	D8/354	
D948,991	S	*	4/2022	Stoops	D8/354	
D956,532	S	*	7/2022	Kapraun	D8/371	

(Continued)

OTHER PUBLICATIONS

XKMT—Bracket Phone Holder to fit Phone Mobile GPS . . .
[online]. Published on Sep. 20, 2019. [Retrieved from the Internet
Feb. 9, 2023.] <URL: <https://www.amazon.com/Compatible-F750GS-F850GS-2018-2019-BRACKET/dp/B07Y5NFBNC?th=1> >.*

(Continued)

Primary Examiner — Rebekah A Caruso

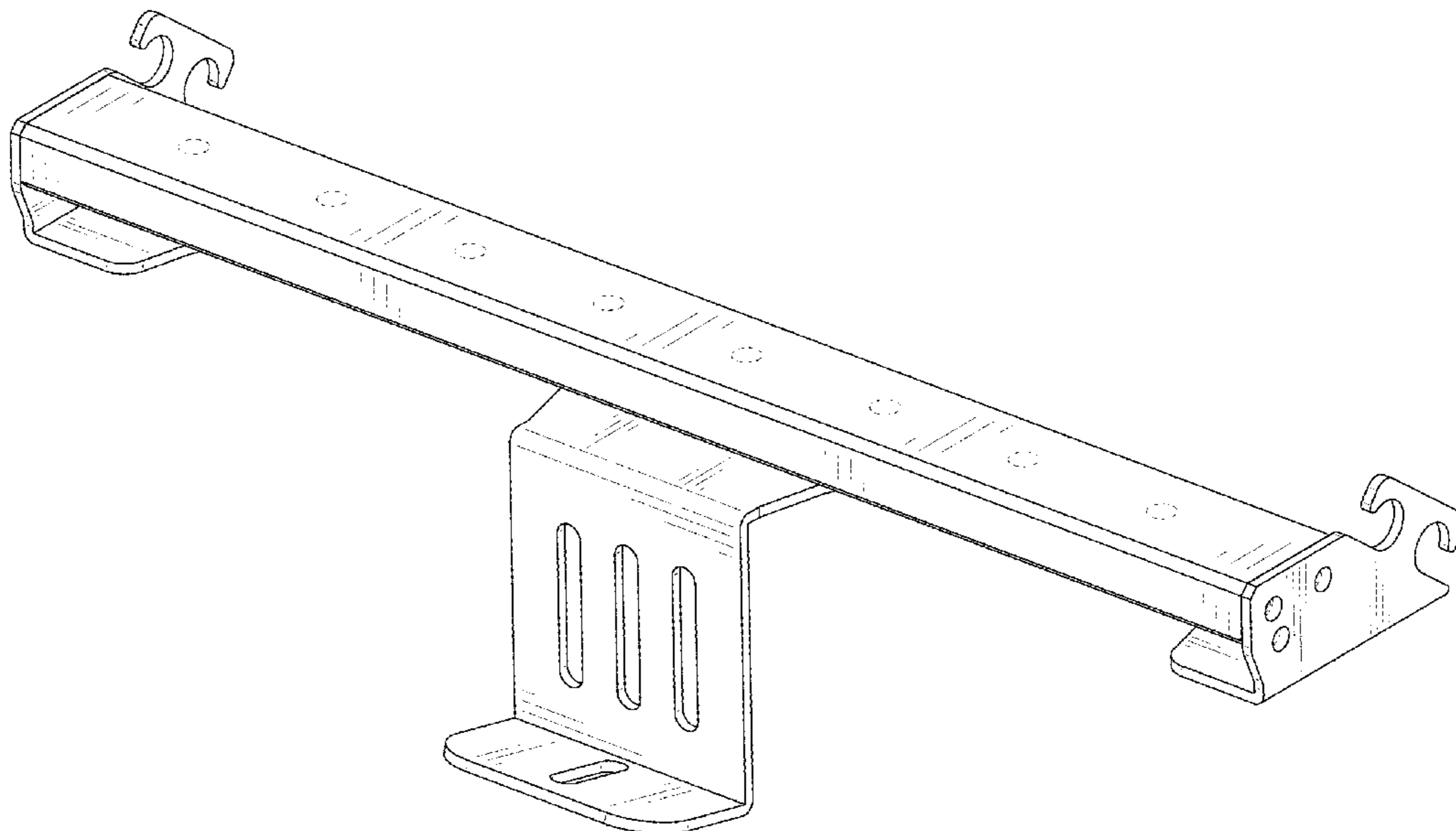
(57) **CLAIM**

The ornamental design for a mobile phone holder, as shown and described.

DESCRIPTION

FIG. 1 is a perspective view of a mobile phone holder showing my new design;
FIG. 2 is a front elevational view thereof;
FIG. 3 is a rear elevational view thereof;
FIG. 4 is a left side elevational view thereof;
FIG. 5 is a right side elevational view thereof;
FIG. 6 is a top plan view thereof; and,
FIG. 7 is a bottom plan view thereof.
The broken lines in the drawings depict portions of the mobile phone holder that form no part of the claimed design.

1 Claim, 7 Drawing Sheets



(56)

References Cited

U.S. PATENT DOCUMENTS

D960,964 S * 8/2022 Laubenthal D16/242
D969,725 S * 11/2022 Fry D12/415

OTHER PUBLICATIONS

OTVIAP Motorcycle GPS Navigator Bracket Mobile Phone Holder . . . [online]. No post date available. [Retrieved from the Internet Feb. 9, 2023.] <URL: <https://www.walmart.com/ip/OTVIAP-Motorcycle-GPS-Navigator-Bracket-Mobile-Phone-Holder-Fit-for-Honda-NC750X-2016-2019-Phone-Support-Cellphone-Holder/590327120> >.*

CK Cattle King Motorcycle Mobile Phone Holder . . . [online]. No post date available. [Retrieved from the Internet Feb. 9, 2023.] <URL: <https://shopee.com.my/Motorcycle-Mobile-Phone-Holder-For-KAWASAKI-Versys-650-KLE650-Versys650-2015-2019-Rechargeable-mobile-phone-navigationD-i.407581868.13809206782> >.*

* cited by examiner

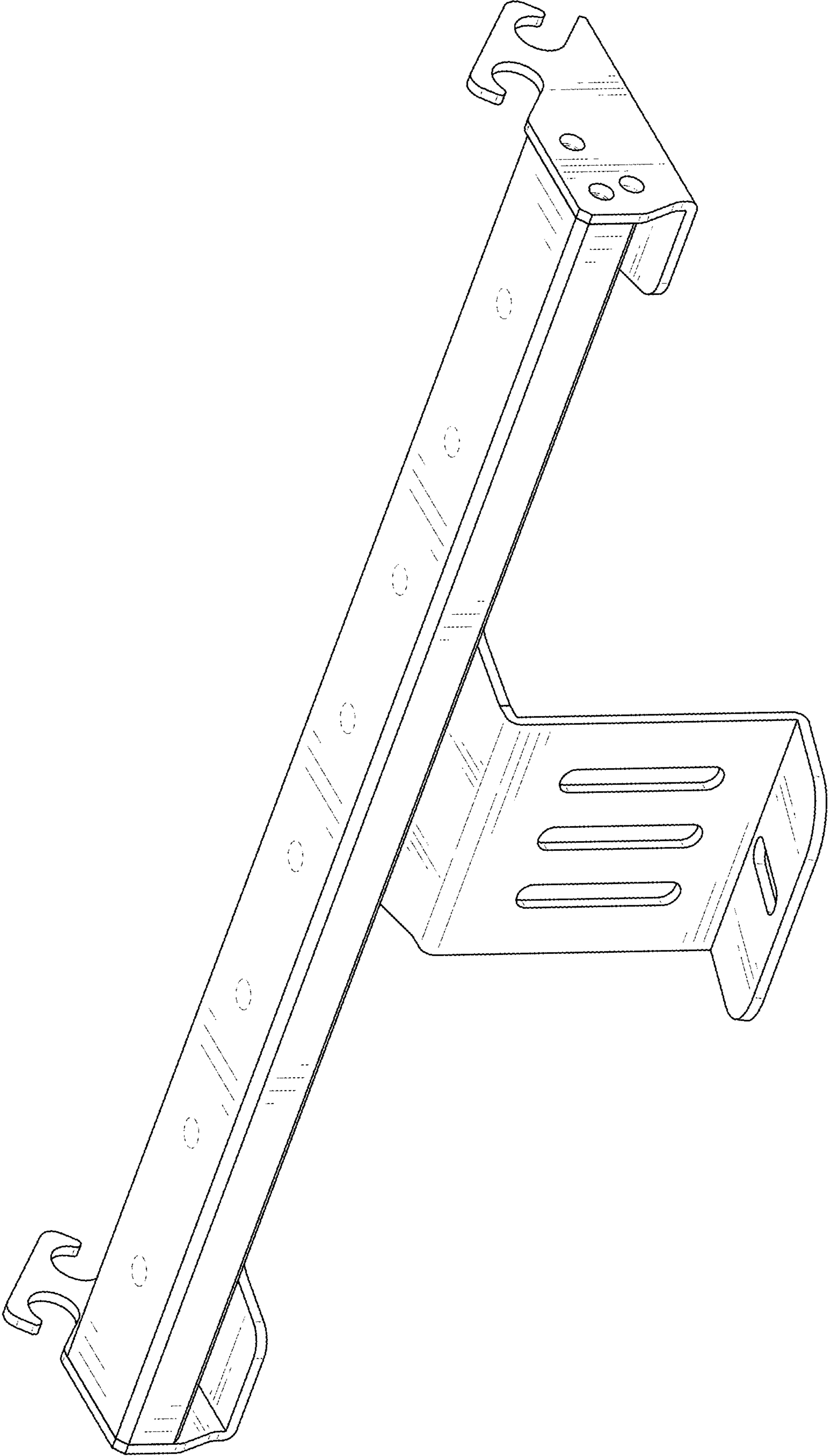


FIG. 1

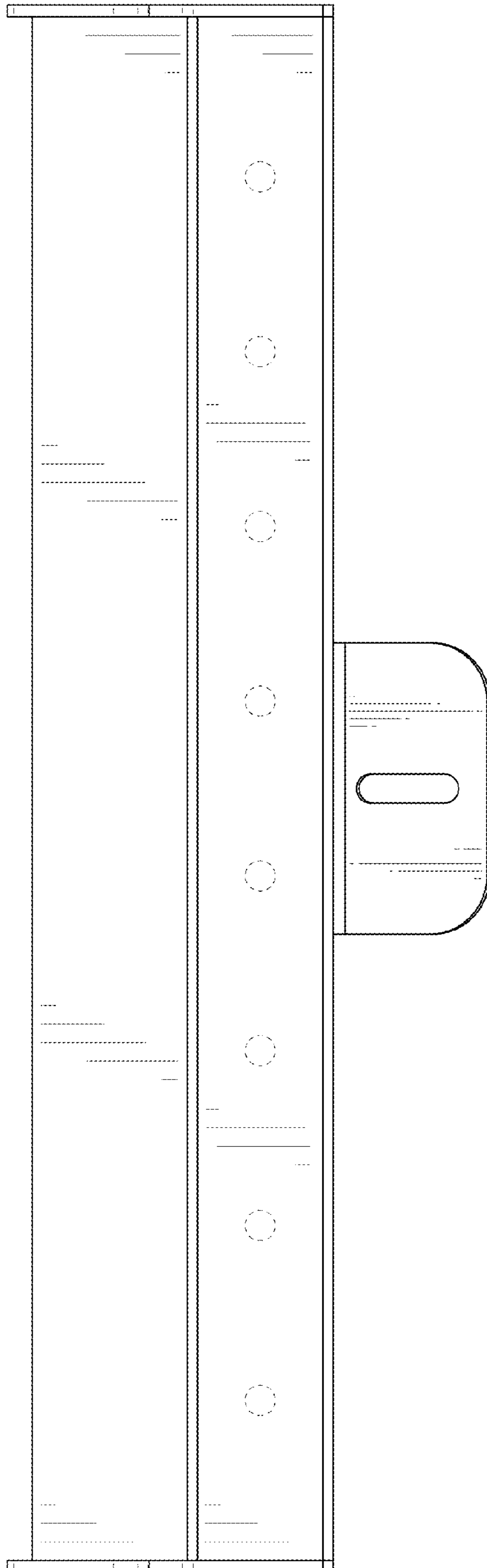


FIG. 2

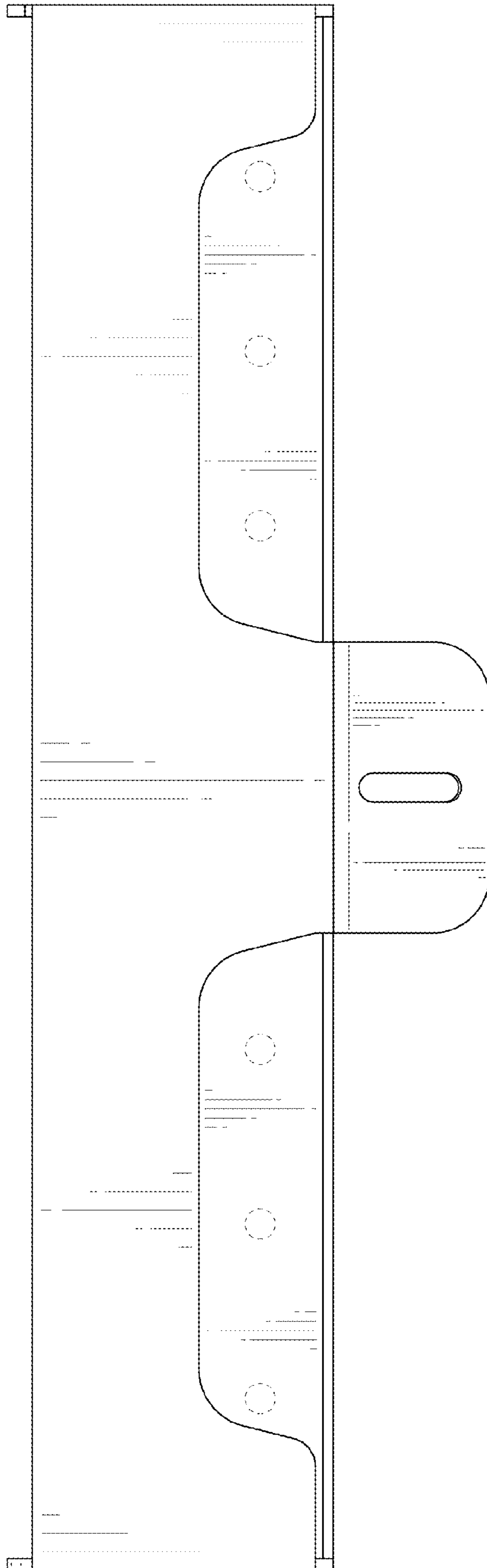


FIG. 3

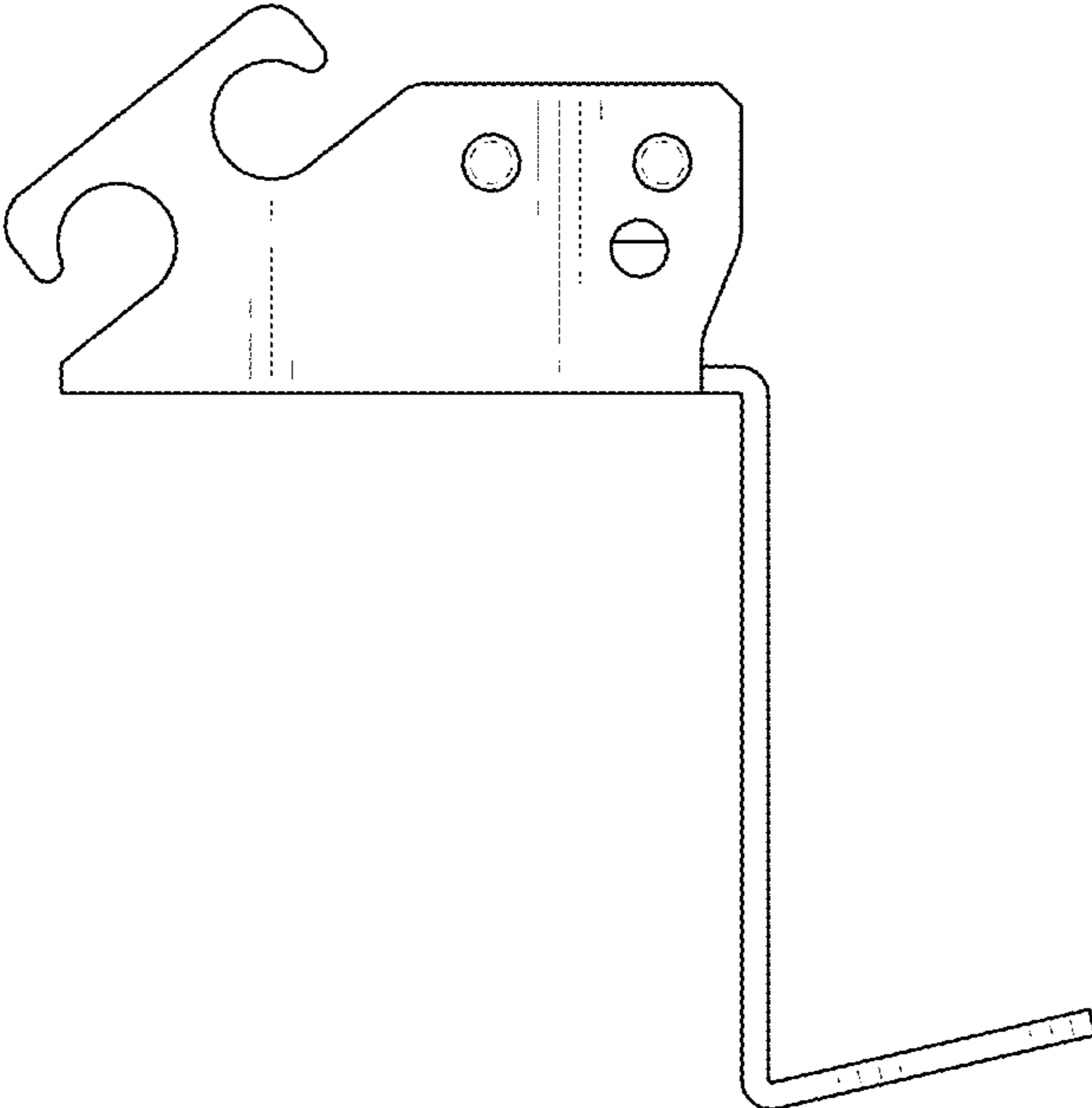


FIG. 4

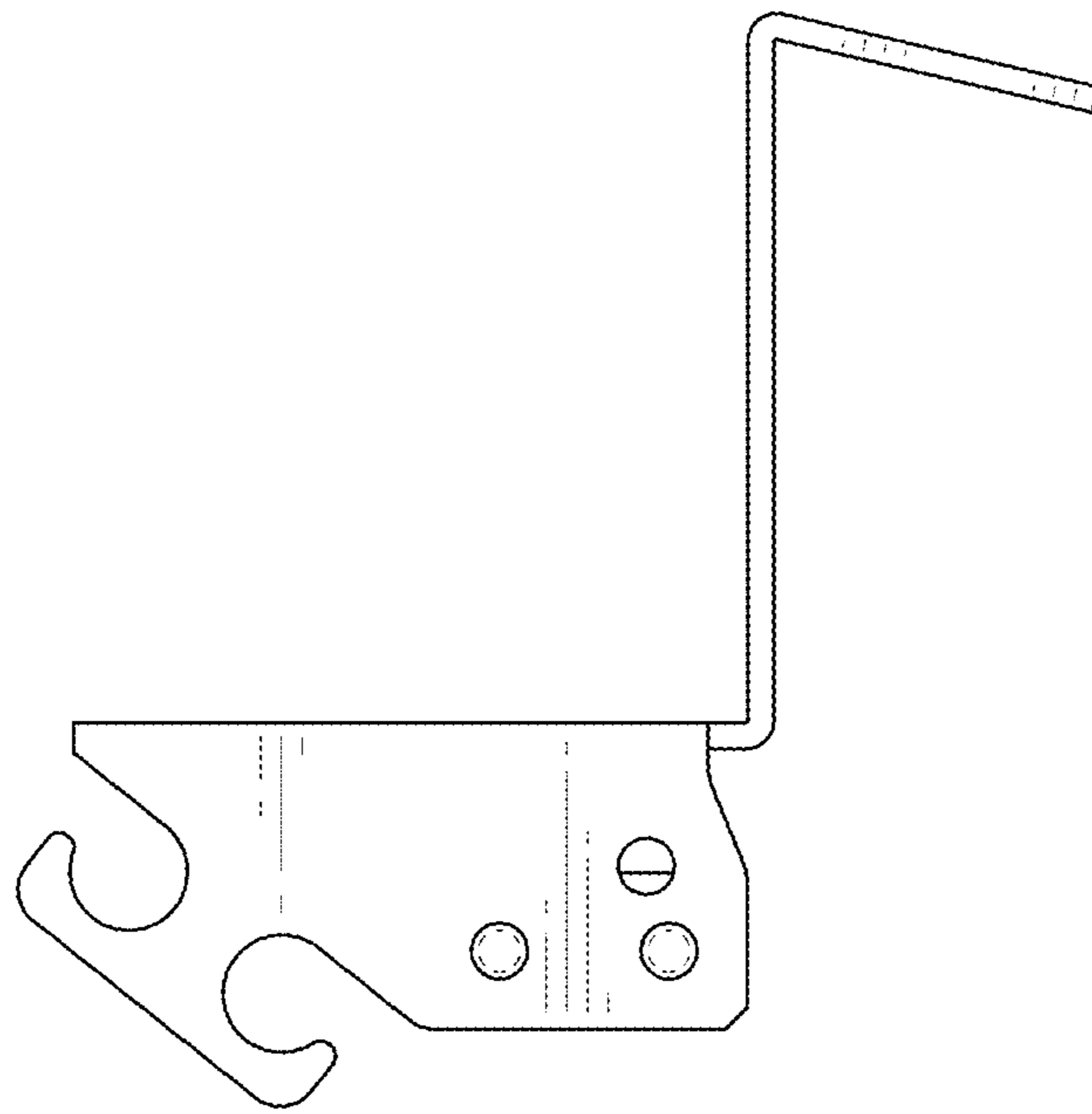


FIG. 5

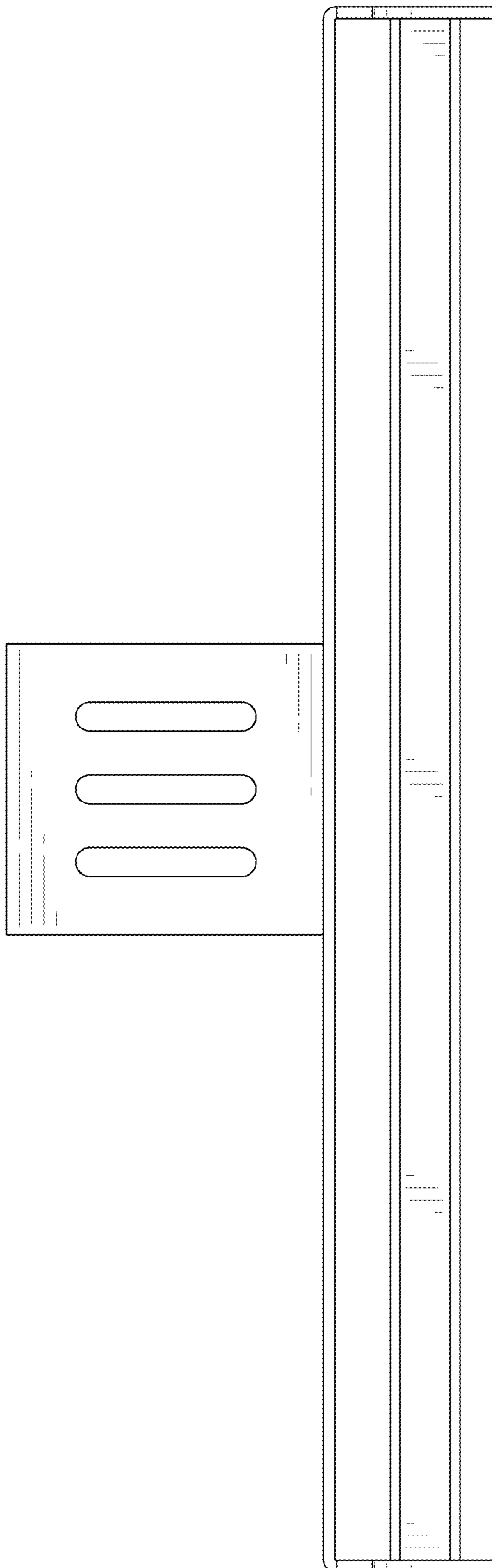


FIG. 6

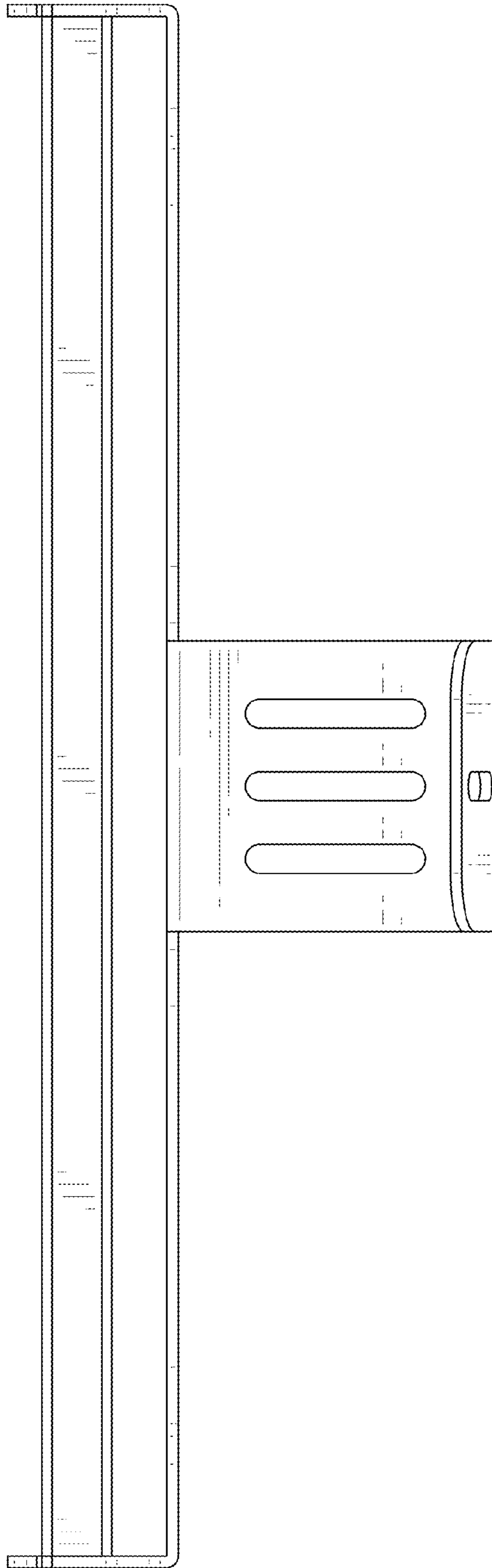


FIG. 7