



US00D983780S

(12) **United States Design Patent**  
**Huang**

(10) **Patent No.:** **US D983,780 S**  
(45) **Date of Patent:** **\*\* Apr. 18, 2023**

- (54) **MOBILE PHONE HOLDER**
- (71) Applicant: **Huanhuan Huang**, Shenzhen (CN)
- (72) Inventor: **Huanhuan Huang**, Shenzhen (CN)
- (\*\*) Term: **15 Years**
- (21) Appl. No.: **29/756,501**
- (22) Filed: **Oct. 29, 2020**
- (51) **LOC (14) Cl.** ..... **14-99**
- (52) **U.S. Cl.**  
USPC ..... **D14/253**; D12/415; D8/354
- (58) **Field of Classification Search**  
USPC ... D14/251–253, 224, 224.1, 447, 451, 452;  
D12/114, 415, 426.1, 223; D3/218;  
D8/354, 356, 367, 372, 373; D6/567,  
D6/572  
CPC . B60R 11/00; B60R 11/0241; B60R 11/0252;  
B60R 2011/0003; B60R 2011/0005;  
B60R 2011/0008; H04M 1/04; A45C  
2011/002; A45C 2011/003; A45F  
2200/0516; A45F 2200/0525  
See application file for complete search history.

D735,170 S *	7/2015	Colvin .....	D14/224
D758,951 S *	6/2016	Unterlechner .....	D12/415
D767,471 S *	9/2016	Jones .....	D12/425
D784,900 S *	4/2017	Itou .....	D12/223
D820,665 S *	6/2018	DeDios-Shirley .....	D8/354
D826,029 S *	8/2018	Granberg .....	D8/349
D853,377 S *	7/2019	Crandon .....	D8/349
D907,024 S *	1/2021	Ji .....	D8/382
D908,471 S *	1/2021	Cronkhite .....	D8/354
D916,521 S *	4/2021	Cao .....	D6/574
D948,991 S *	4/2022	Stoops .....	D8/354
D956,532 S *	7/2022	Kapraun .....	D8/371

(Continued)

**OTHER PUBLICATIONS**

XKMT—Bracket Phone Holder to fit Phone Mobile GPS . . .  
[online]. Published on Sep. 20, 2019. [Retrieved from the Internet  
Feb. 9, 2023.] <URL: <https://www.amazon.com/Compatible-F750GS-F850GS-2018-2019-BRACKET/dp/B07Y5NFNBC?th=1> >.\*

(Continued)

*Primary Examiner* — Rebekah A Caruso

(57) **CLAIM**

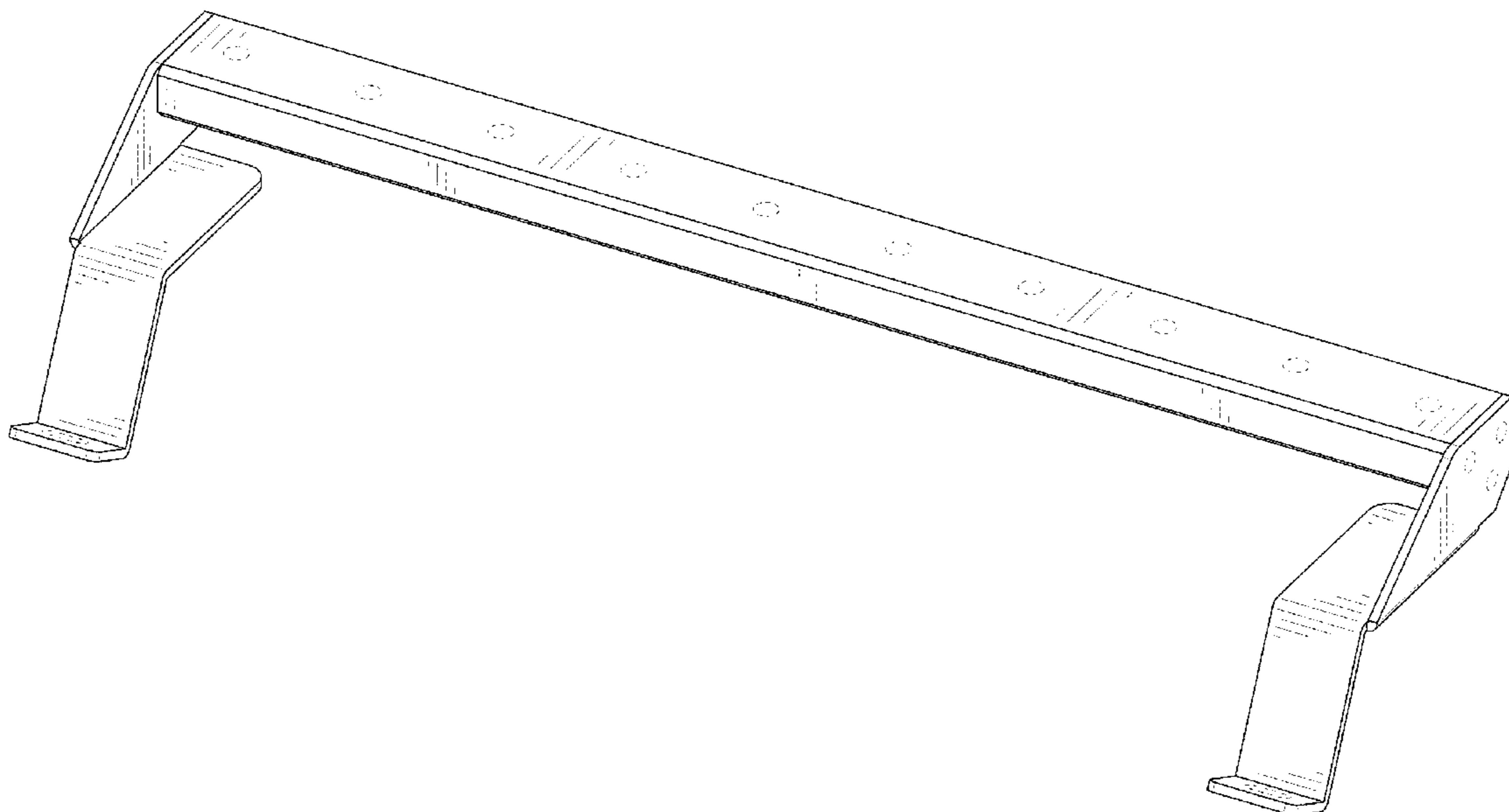
The ornamental design for a mobile phone holder, as shown and described.

**DESCRIPTION**

FIG. 1 is a perspective view of a mobile phone holder showing my new design;  
FIG. 2 is a front elevational view thereof;  
FIG. 3 is a rear elevational view thereof;  
FIG. 4 is a left side elevational view thereof;  
FIG. 5 is a right side elevational view thereof;  
FIG. 6 is a top plan view thereof; and,  
FIG. 7 is a bottom plan view thereof.  
The broken lines in the drawings depict portions of the mobile phone holder that form no part of the claimed design.

**1 Claim, 7 Drawing Sheets**

- (56) **References Cited**  
U.S. PATENT DOCUMENTS  
D152,475 S \* 1/1949 Hueter ..... D12/415  
3,151,222 A \* 9/1964 Olof ..... H04M 1/08  
379/426  
D229,944 S \* 1/1974 Eddy ..... D14/253  
D261,510 S \* 10/1981 Havens ..... 379/455  
4,308,432 A \* 12/1981 Chesler ..... H04M 1/06  
379/448  
D383,860 S \* 9/1997 McCool ..... D12/114  
D395,545 S \* 6/1998 Crim, Jr. .... D3/218  
D415,980 S \* 11/1999 Wright ..... D12/407  
D547,641 S \* 7/2007 Jueneman ..... D8/382  
D670,690 S \* 11/2012 Daniel ..... D14/253



(56)

**References Cited**

U.S. PATENT DOCUMENTS

D969,725 S \* 11/2022 Fry ..... D12/415  
2007/0075195 A1 \* 4/2007 Chen ..... F16M 11/10  
248/419

OTHER PUBLICATIONS

Otviap Motorcycle GPS Navigator Bracket Mobile Phone Holder . . . [online]. No postdate available. [Retrieved from the Internet Feb. 9, 2023.] <URL: <https://www.walmart.com/ip/OTVIAP-Motorcycle-GPS-Navigator-Bracket-Mobile-Phone-Holder-Fit-for-Honda-NC750X-2016-2019-Phone-Support-Cellphone-Holder/590327120> >.\*

CK Cattle King Motorcycle Mobile Phone Holder . . . [online]. No post date available. [Retrieved from the Internet Feb. 9, 2023.] <URL: <https://shopee.com.my/Motorcycle-Mobile-Phone-Holder-For-KAWASAKI-Versys-650-KLE650-Versys650-2015-2019-Rechargeable-mobile-phone-navigationD-i.407581868.13809206782> >.\*

\* cited by examiner

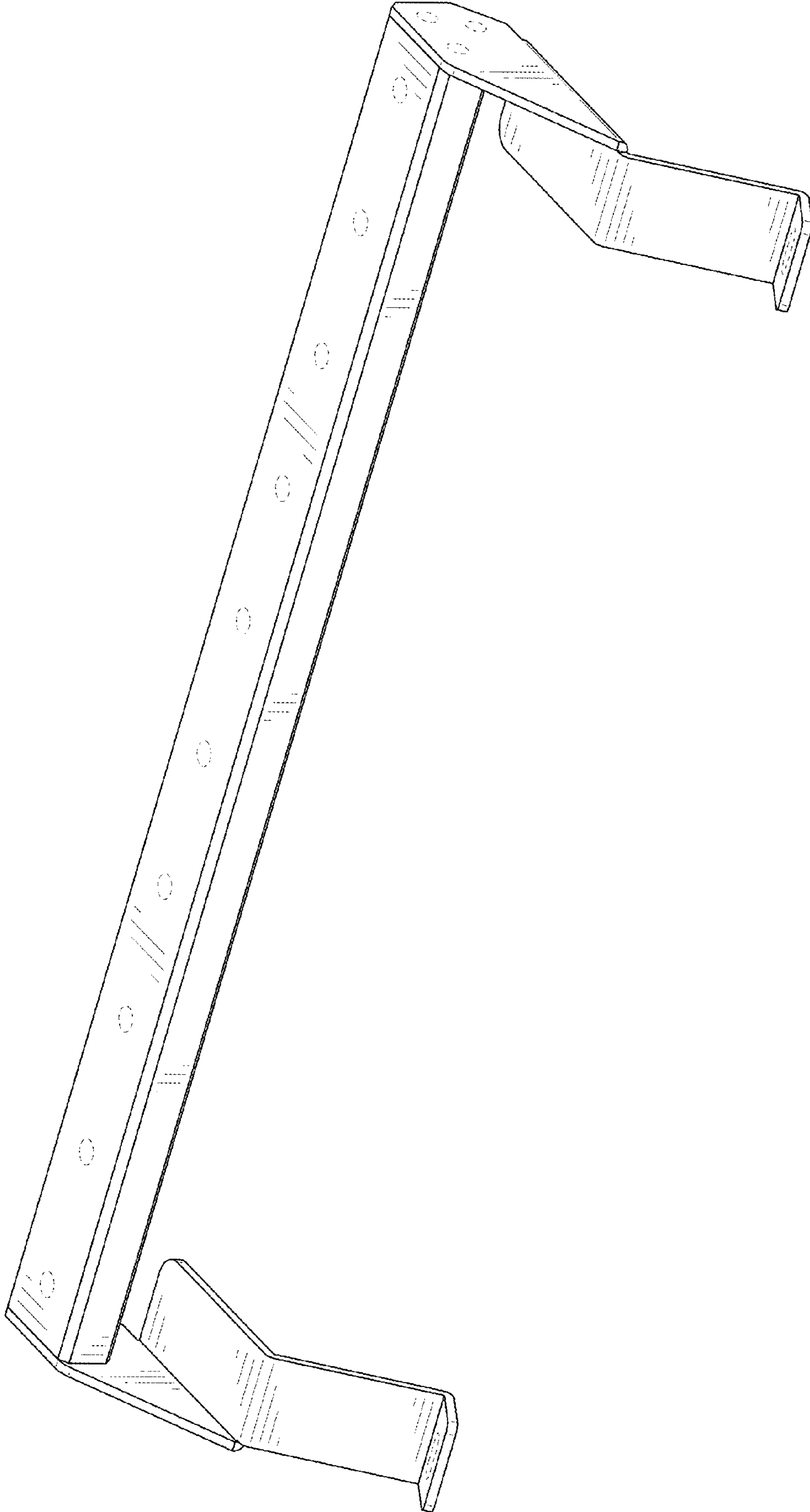


FIG. 1

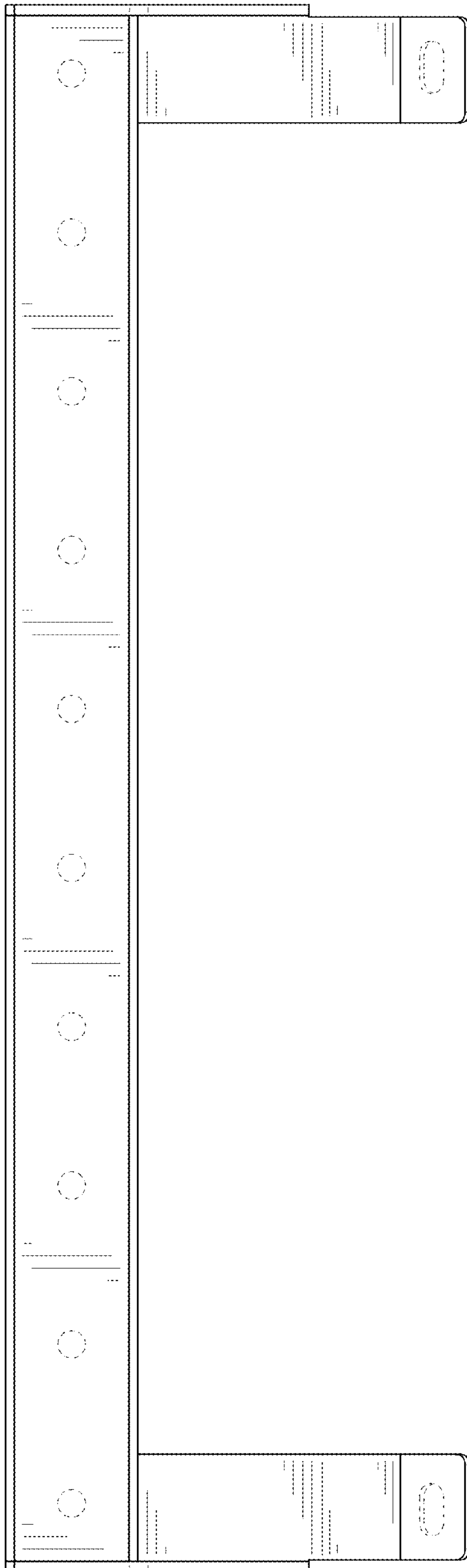


FIG. 2

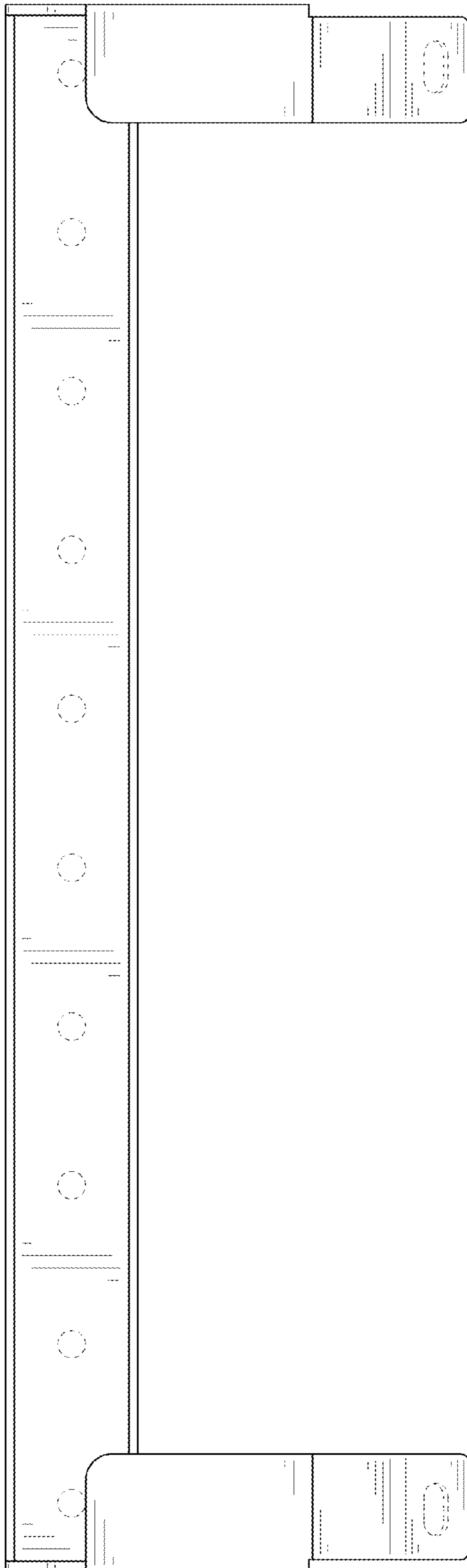


FIG. 3

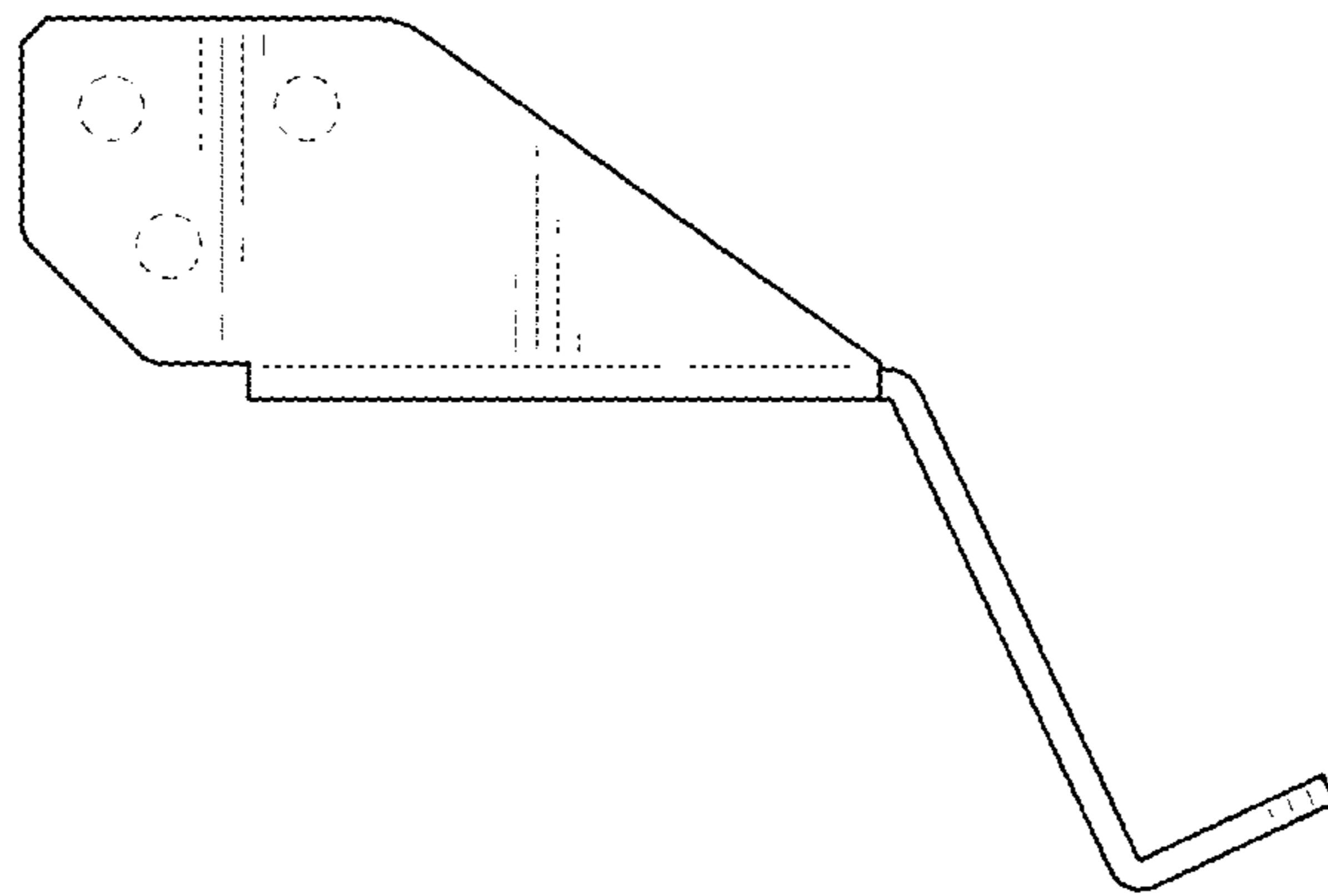


FIG. 4

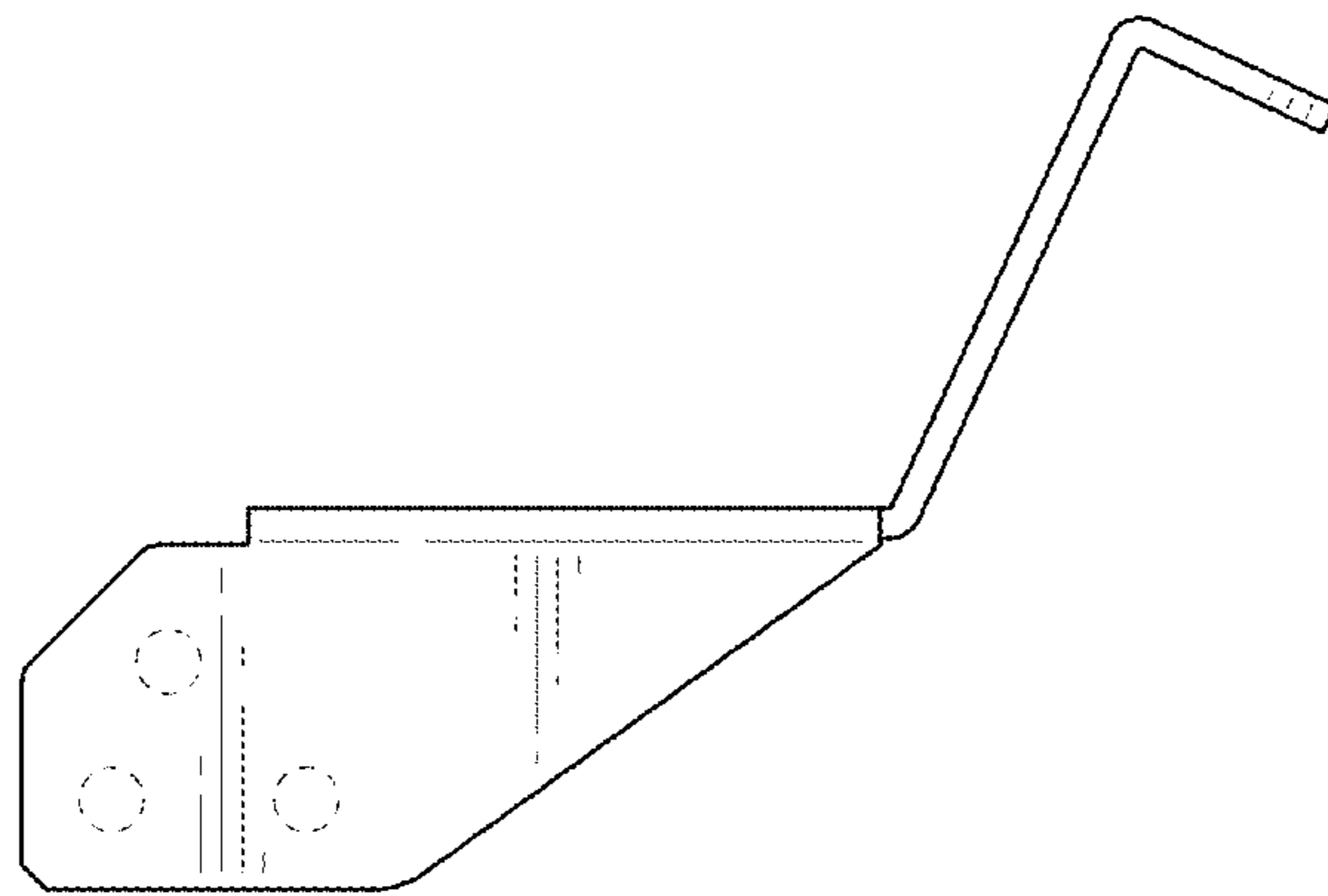


FIG. 5

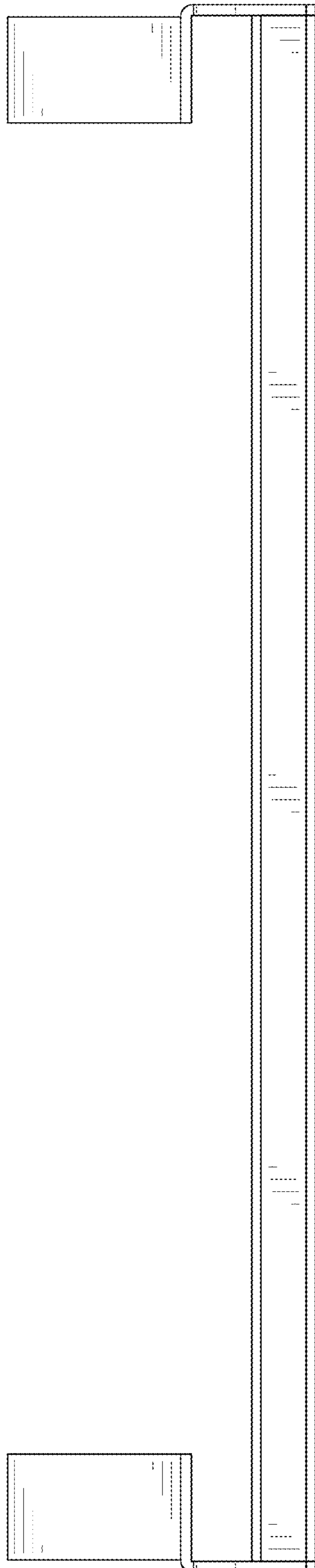


FIG. 6



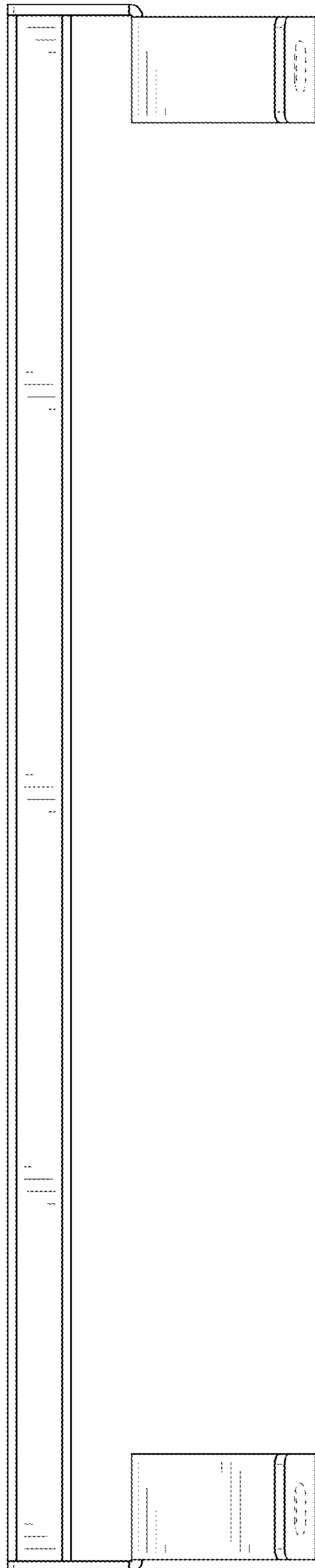


FIG. 7