



US00D983778S

(12) **United States Design Patent**
Luo

(10) **Patent No.:** **US D983,778 S**
(45) **Date of Patent:** **** Apr. 18, 2023**

(54) **CASE FOR MOBILE TELEPHONES**

FOREIGN PATENT DOCUMENTS

(71) Applicant: **Xiaoming Luo**, Lechang (CN)

CN 202230332529.9 * 9/2022

(72) Inventor: **Xiaoming Luo**, Lechang (CN)

CN 202230647505.2 * 9/2022

CN 202230563708.3 * 1/2023

(**) Term: **15 Years**

OTHER PUBLICATIONS

(21) Appl. No.: **29/870,196**

Doeshine for iPhone 14 Pro Case., publication date Aug. 29, 2022, [online] URL: <https://www.amazon.co.uk/Doeshine-Protector-Kickstand-Protection-Shockproof-Navy/dp/B0BC8YJNLR/> (Year: 2022).*

(22) Filed: **Jan. 18, 2023**

(Continued)

(51) **LOC (14) Cl.** **14-03**

(52) **U.S. Cl.**

USPC **D14/250**

(58) **Field of Classification Search**

USPC D3/218, 247, 249, 269; D13/107, 108, D13/113, 118, 119; D14/217, 248, D14/250-253, 426, 432, 440

CPC H04B 1/3888; H04M 1/0283; H04M 1/0202; A45F 2005/028; A45F 2200/0525

See application file for complete search history.

Primary Examiner — L. A. Grabenstetter

(74) *Attorney, Agent, or Firm* — Vladimir Postnikov

(57)

CLAIM

The ornamental design for a case for mobile telephones, as shown and described.

(56)

References Cited

DESCRIPTION

U.S. PATENT DOCUMENTS

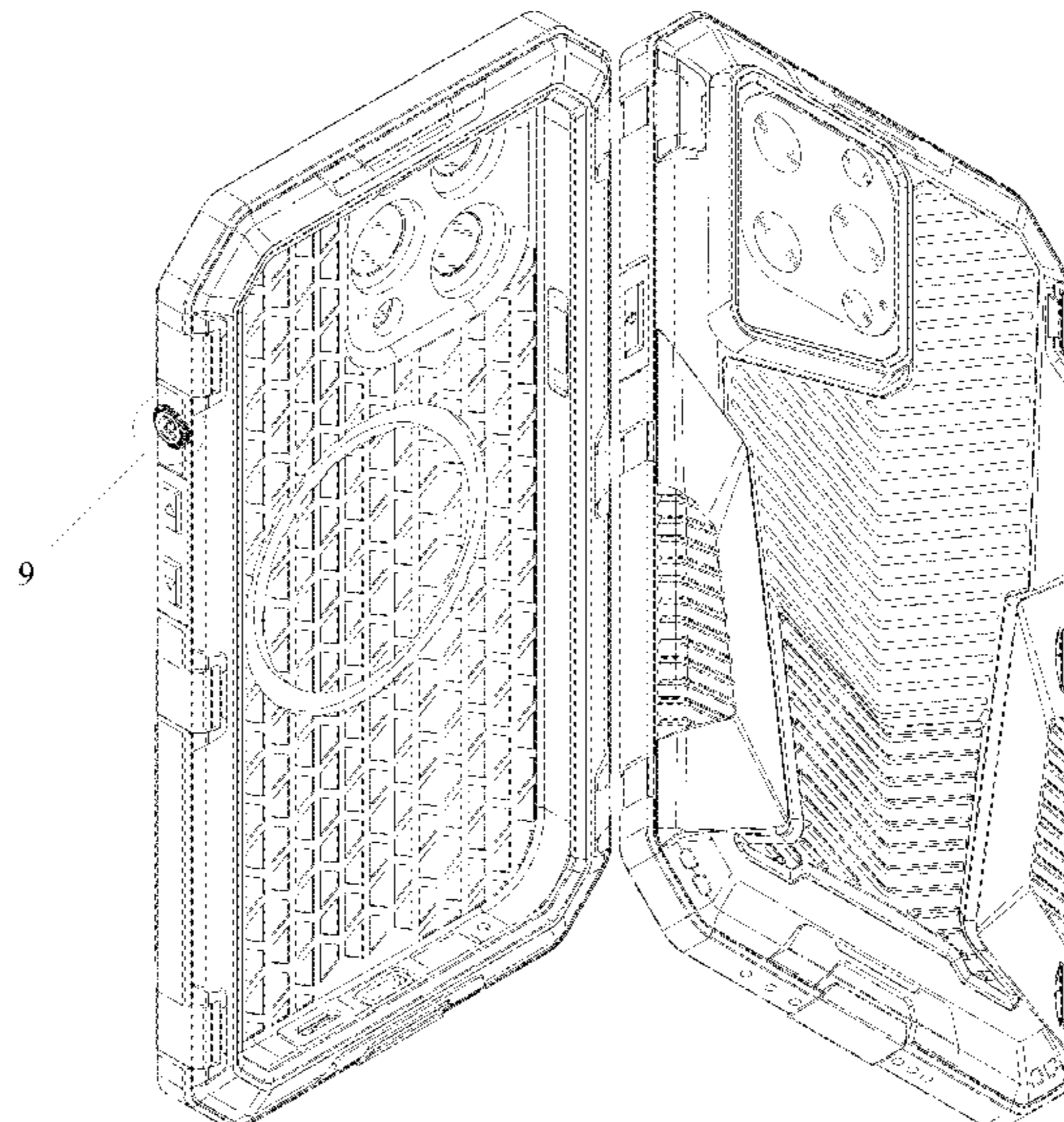
D659,691 S	5/2012	Kim	
D676,432 S	2/2013	Benjamin	
D749,557 S	2/2016	Feng	
D790,526 S	6/2017	Babichenko	
D839,259 S *	1/2019	Ahn	D14/250
D857,682 S *	8/2019	Wang	D14/250
D861,665 S	10/2019	Li	
D865,740 S *	11/2019	Altschul	D14/250
D875,089 S *	2/2020	Hemesath	D14/250
D908,121 S *	1/2021	Weng	D14/250
D923,616 S *	6/2021	Xie	D14/250
D927,473 S *	8/2021	Wu	D14/250
D934,850 S *	11/2021	Weng	D14/250
D936,047 S *	11/2021	Feng	D14/250
D938,948 S *	12/2021	Luo	D14/250
D941,282 S *	1/2022	Bai	D14/250
D947,166 S *	3/2022	Mi	D14/250
D949,840 S *	4/2022	Ling	D14/250
D961,575 S *	8/2022	Liu	D14/250

(Continued)

FIG. 1 is a front elevation view of a case for mobile telephones showing the new design; FIG. 2 is a back elevation view thereof; FIG. 3 is a left-side view thereof; FIG. 4 is a right-side view thereof; FIG. 5 is a top plan view thereof; FIG. 6 is a bottom plan view thereof; FIG. 7 is a top, left-side, front perspective view thereof; FIG. 8 is a bottom, right-side, back perspective view thereof; and, FIG. 9 is a partial enlarged view of the encircled portion "9" in FIG. 7.

The broken line circles and lines in FIGS. 7 and 9 are included for the purpose of delineating the portion included in the partial enlarged view and form no part of the claimed design.

1 Claim, 9 Drawing Sheets



(56)

References Cited

U.S. PATENT DOCUMENTS

D962,919 S * 9/2022 Luo D14/250
D974,345 S * 1/2023 Zeng D14/250

OTHER PUBLICATIONS

Jvnlki iPhone 12 Pro Max Metal Case, publication date Sep. 15, 2021, [online] URL: <https://www.amazon.com/dp/B09G9LBM2Y/> (Year: 2021).*

CeeDoo iPhone 12 Pro Max Case, publication date Nov. 15, 2020, [online] URL: <https://www.amazon.com/CeeDoo-iPhone-12-Pro-Max/dp/B08NH9ZRZS> (Year: 2020).*

* cited by examiner

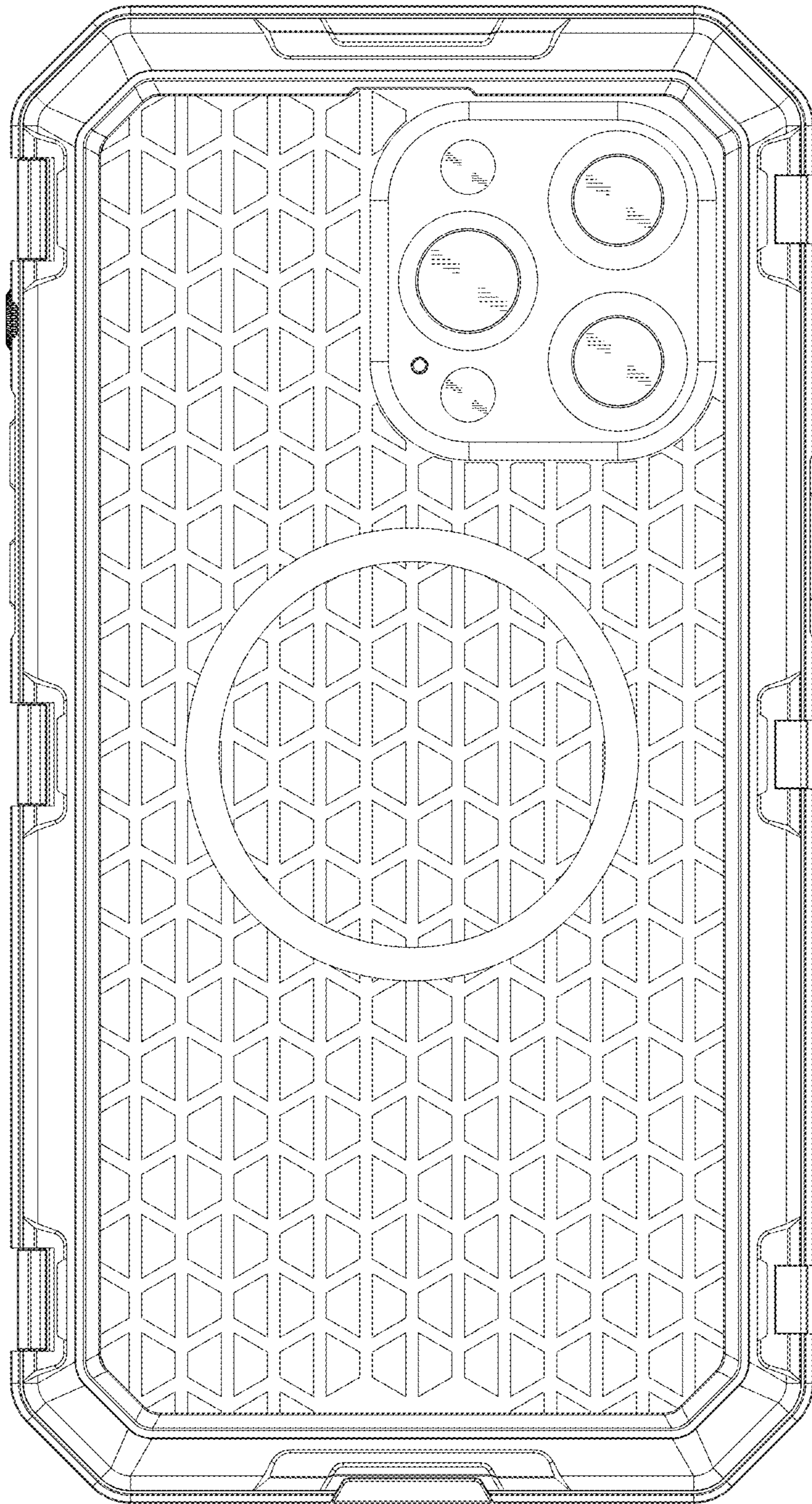


FIG. 1

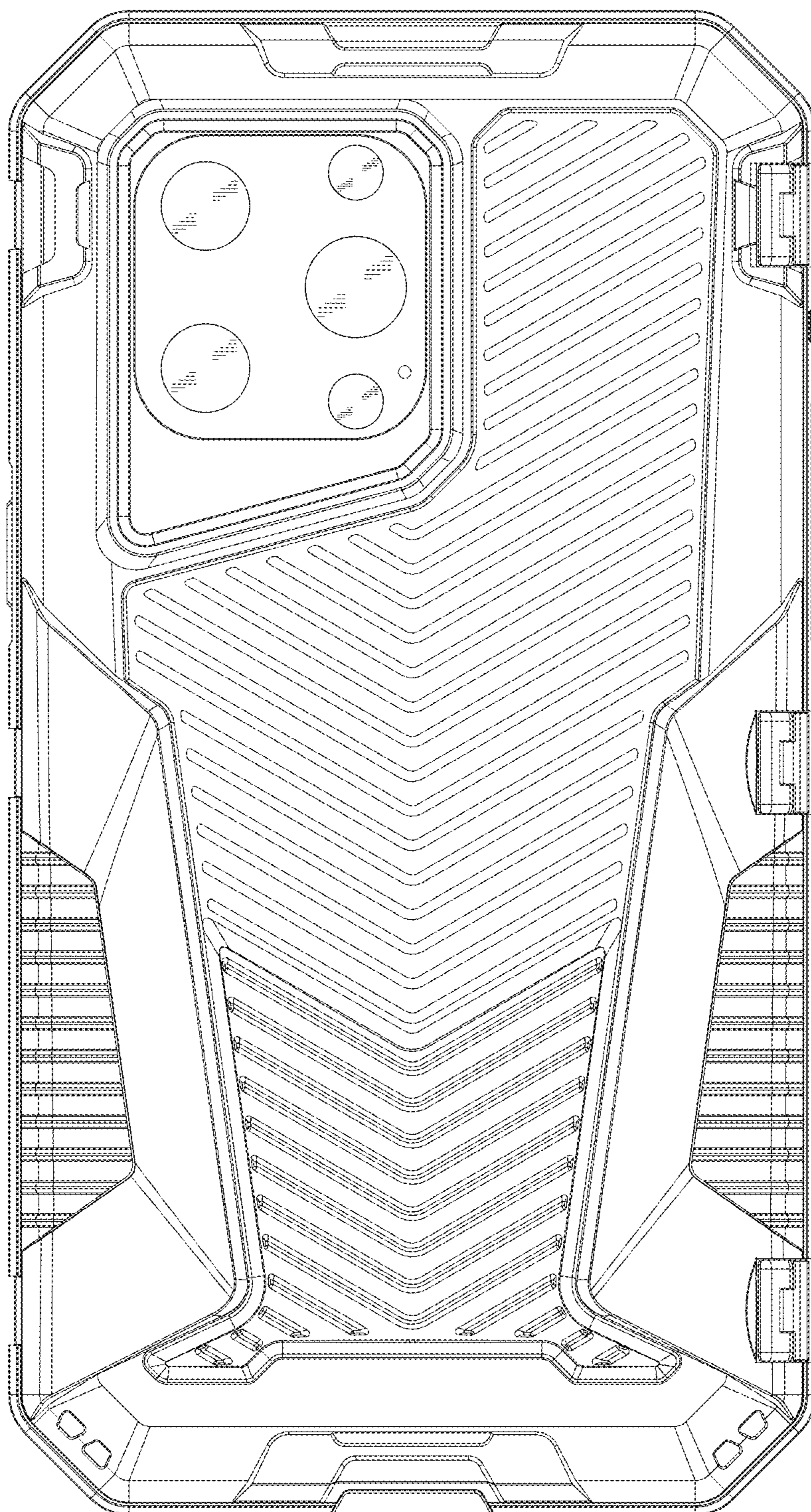


FIG. 2

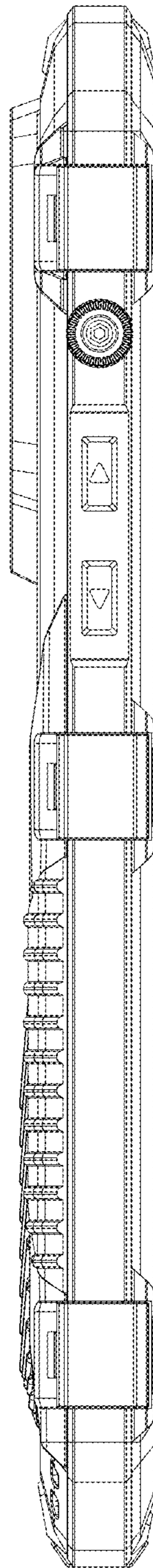


FIG. 3

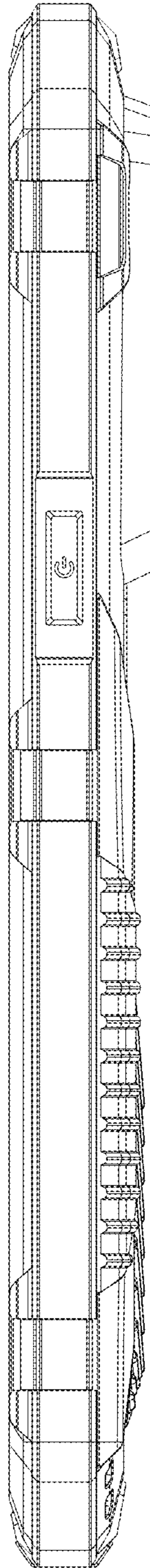


FIG. 4

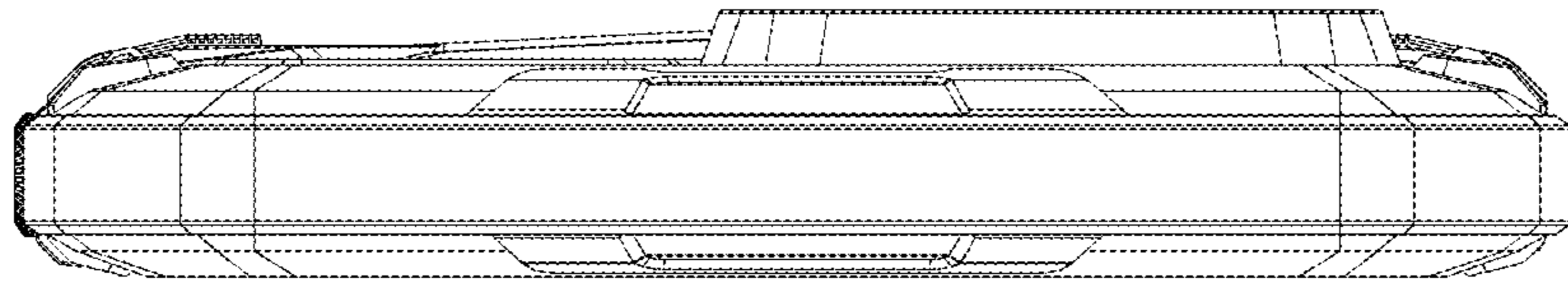


FIG. 5

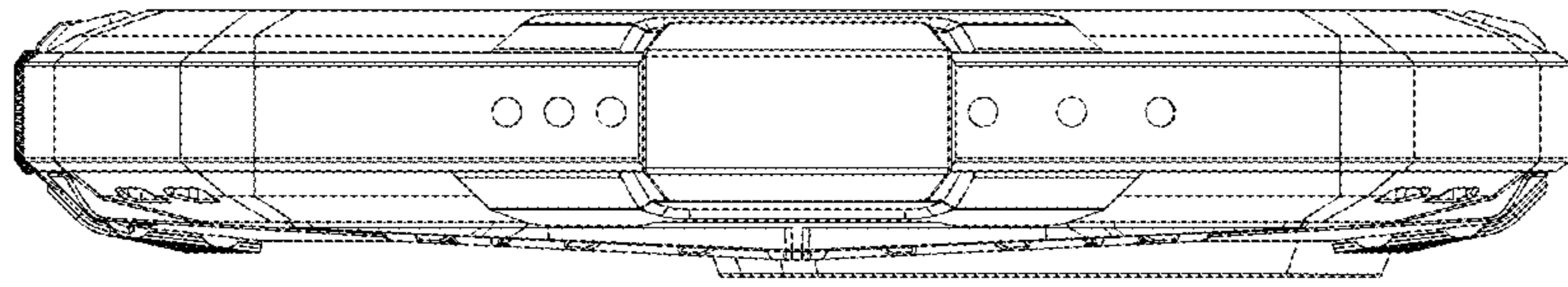


FIG. 6

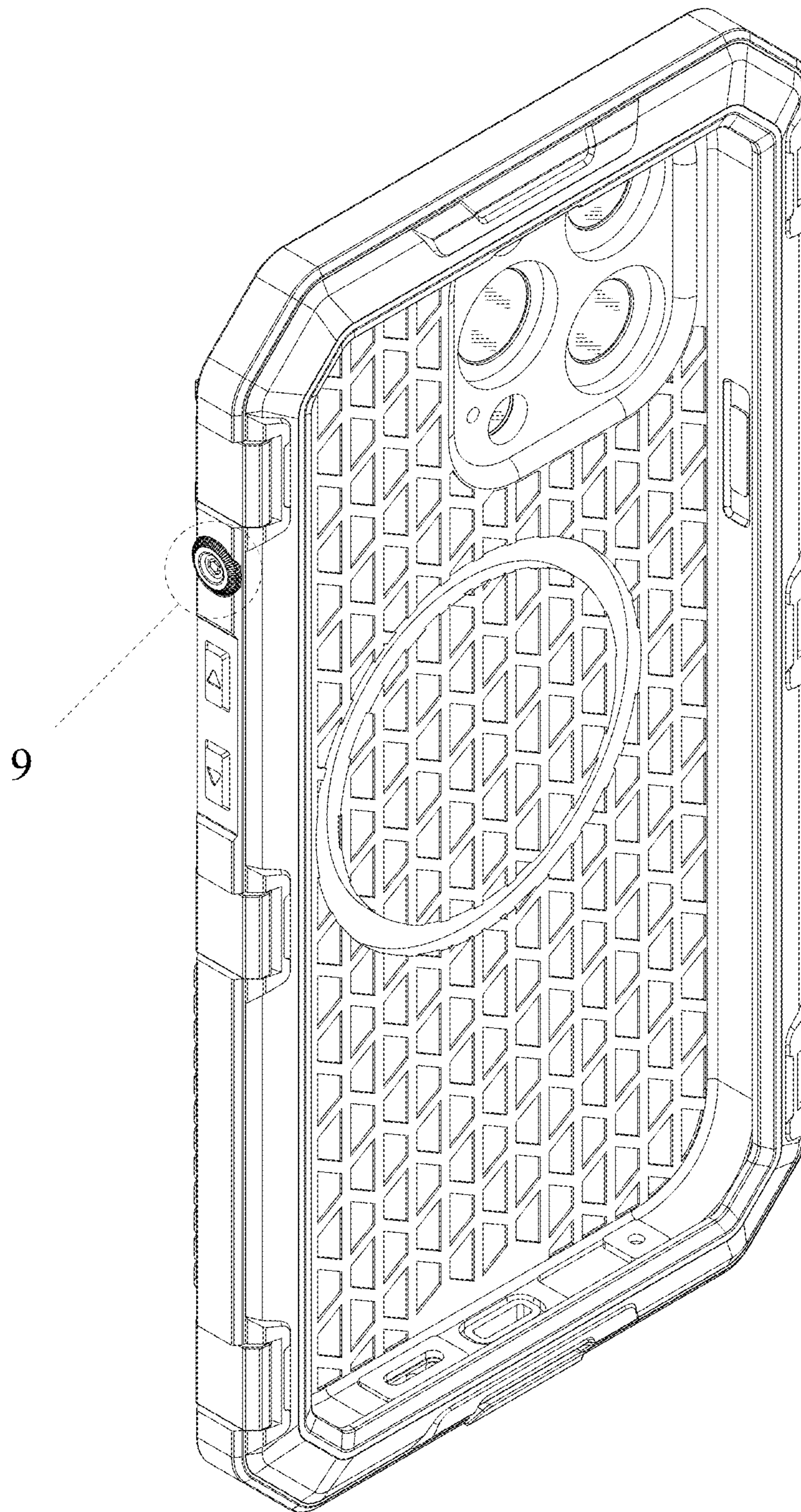


FIG. 7

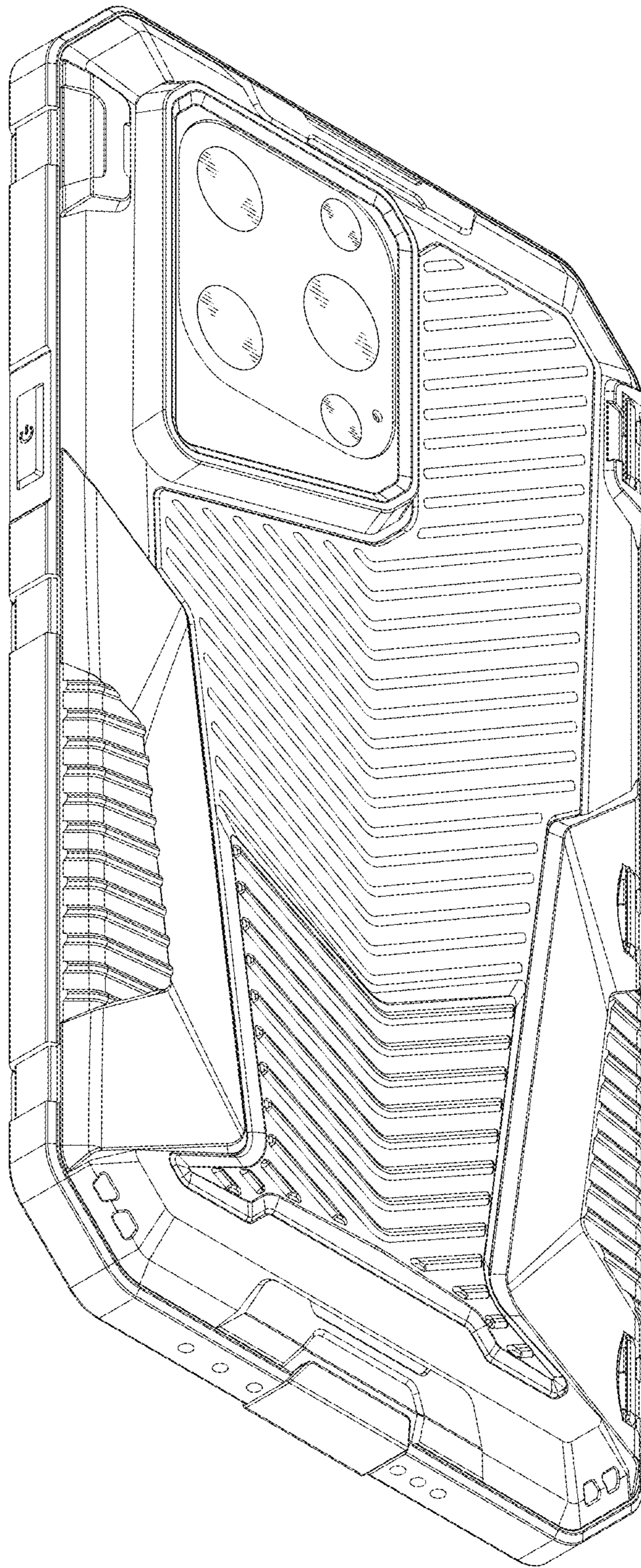


FIG. 8

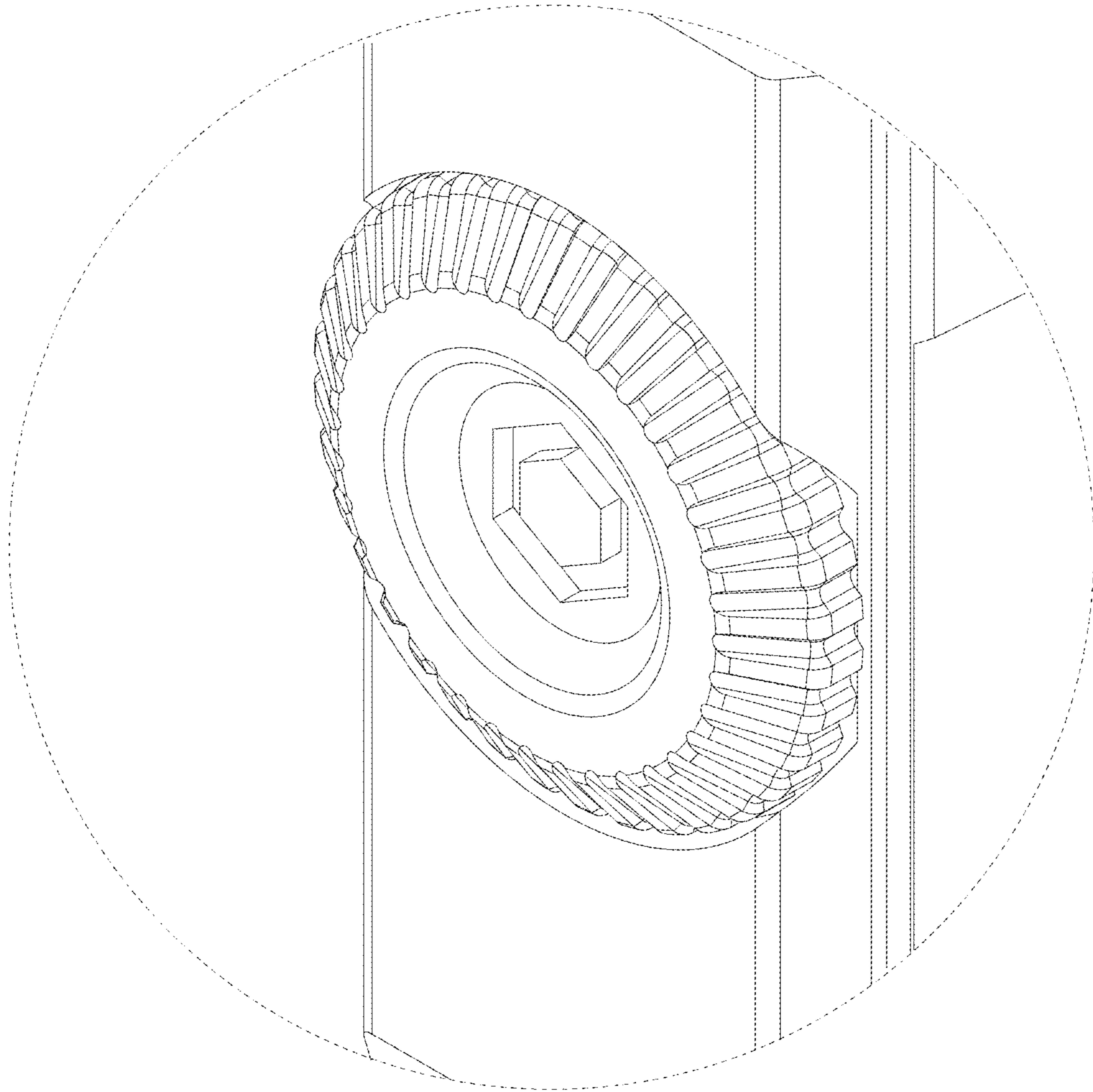


FIG. 9