



US00D983777S

(12) **United States Design Patent**  
**Ng**

(10) **Patent No.:** **US D983,777 S**  
(45) **Date of Patent:** **\*\* Apr. 18, 2023**

(54) **PHONE CASE**

(71) Applicant: **Qian Ren Ng**, Johor (MY)

(72) Inventor: **Qian Ren Ng**, Johor (MY)

(\*\*) Term: **15 Years**

(21) Appl. No.: **29/834,082**

(22) Filed: **Apr. 8, 2022**

(51) **LOC (14) Cl.** ..... **14-03**

(52) **U.S. Cl.**  
USPC ..... **D14/250**

(58) **Field of Classification Search**  
USPC ..... D14/250–251, 253, 440, 344, 439;  
D10/30, 43

CPC ... H04B 1/3888; B32B 38/1841; B32B 37/26;  
F16M 11/10; H04M 1/04

See application file for complete search history.

(56) **References Cited**

**U.S. PATENT DOCUMENTS**

|                 |         |          |       |             |
|-----------------|---------|----------|-------|-------------|
| D674,803 S *    | 1/2013  | Westrup  | ..... | A45C 3/02   |
|                 |         |          |       | D14/440     |
| D689,502 S *    | 9/2013  | Belitz   | ..... | D14/447     |
| D701,211 S *    | 3/2014  | Ng       | ..... | D14/440     |
| D719,144 S *    | 12/2014 | Eulette  | ..... | D14/250     |
| D782,487 S *    | 3/2017  | Tur      | ..... | D14/440     |
| D786,879 S *    | 5/2017  | Kim      | ..... | D14/440     |
| D790,528 S *    | 6/2017  | Lindloff | ..... | D14/253     |
| D834,029 S *    | 11/2018 | Wengreen | ..... | D14/447     |
| D847,789 S *    | 5/2019  | Virhiä   | ..... | D14/217     |
| 10,634,460 B1 * | 4/2020  | Sheikh   | ..... | H04B 1/3888 |
| D884,690 S *    | 5/2020  | Kim      | ..... | D14/250     |
| D908,788 S *    | 1/2021  | Leewe    | ..... | D14/217     |

|                   |         |            |       |             |
|-------------------|---------|------------|-------|-------------|
| D909,359 S *      | 2/2021  | Kim        | ..... | D14/250     |
| D915,379 S *      | 4/2021  | Kim        | ..... | D14/250     |
| D931,286 S *      | 9/2021  | Tur        | ..... | D14/440     |
| D940,698 S        | 1/2022  | Qu         |       |             |
| D947,165 S *      | 3/2022  | Wu         | ..... | D14/250     |
| 2006/0274493 A1 * | 12/2006 | Richardson | ..... | H05K 5/068  |
|                   |         |            |       | 720/720     |
| 2012/0257340 A1 * | 10/2012 | Kim        | ..... | H04B 1/3888 |
|                   |         |            |       | 361/679.01  |
| 2013/0235521 A1 * | 9/2013  | Burch      | ..... | G06F 1/20   |
|                   |         |            |       | 361/679.48  |
| 2015/0327641 A1 * | 11/2015 | Hoover     | ..... | A45C 13/36  |
|                   |         |            |       | 224/191     |
| 2022/0087386 A1 * | 3/2022  | Wright     | ..... | H04B 1/3888 |

\* cited by examiner

*Primary Examiner* — John R Yeh

(74) *Attorney, Agent, or Firm* — Justin Lampel

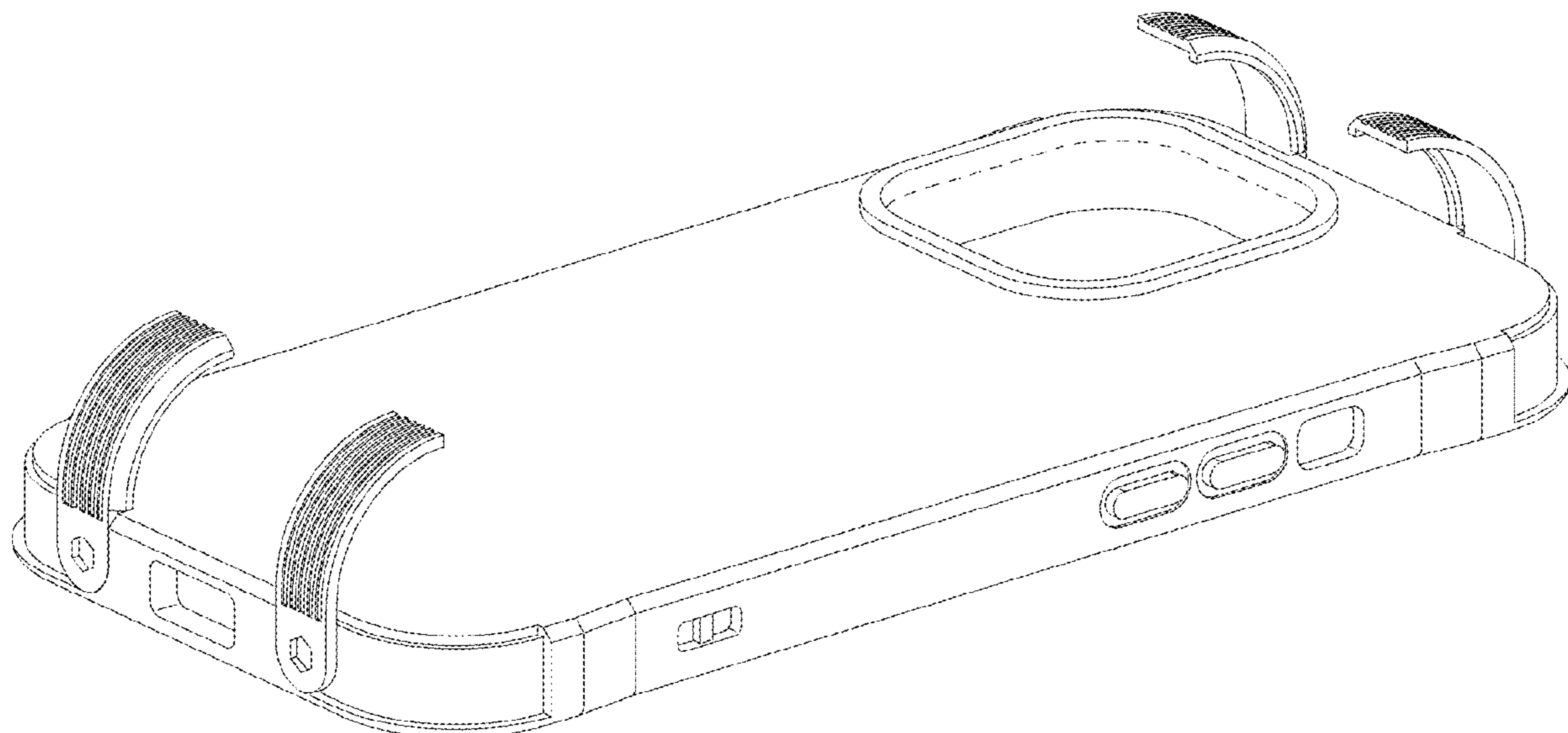
(57) **CLAIM**

The ornamental design for a phone case, as shown and described.

**DESCRIPTION**

FIG. 1 is a perspective view of a phone case showing the claimed design;  
FIG. 2 is a top plan view thereof;  
FIG. 3 is a rear elevational view thereof;  
FIG. 4 is a left side view thereof;  
FIG. 5 is a front elevational view thereof;  
FIG. 6 is a right side view thereof; and,  
FIG. 7 is a bottom plan view thereof.  
The broken lines depict portions of the phone case that form no part of the claimed design.

**1 Claim, 7 Drawing Sheets**



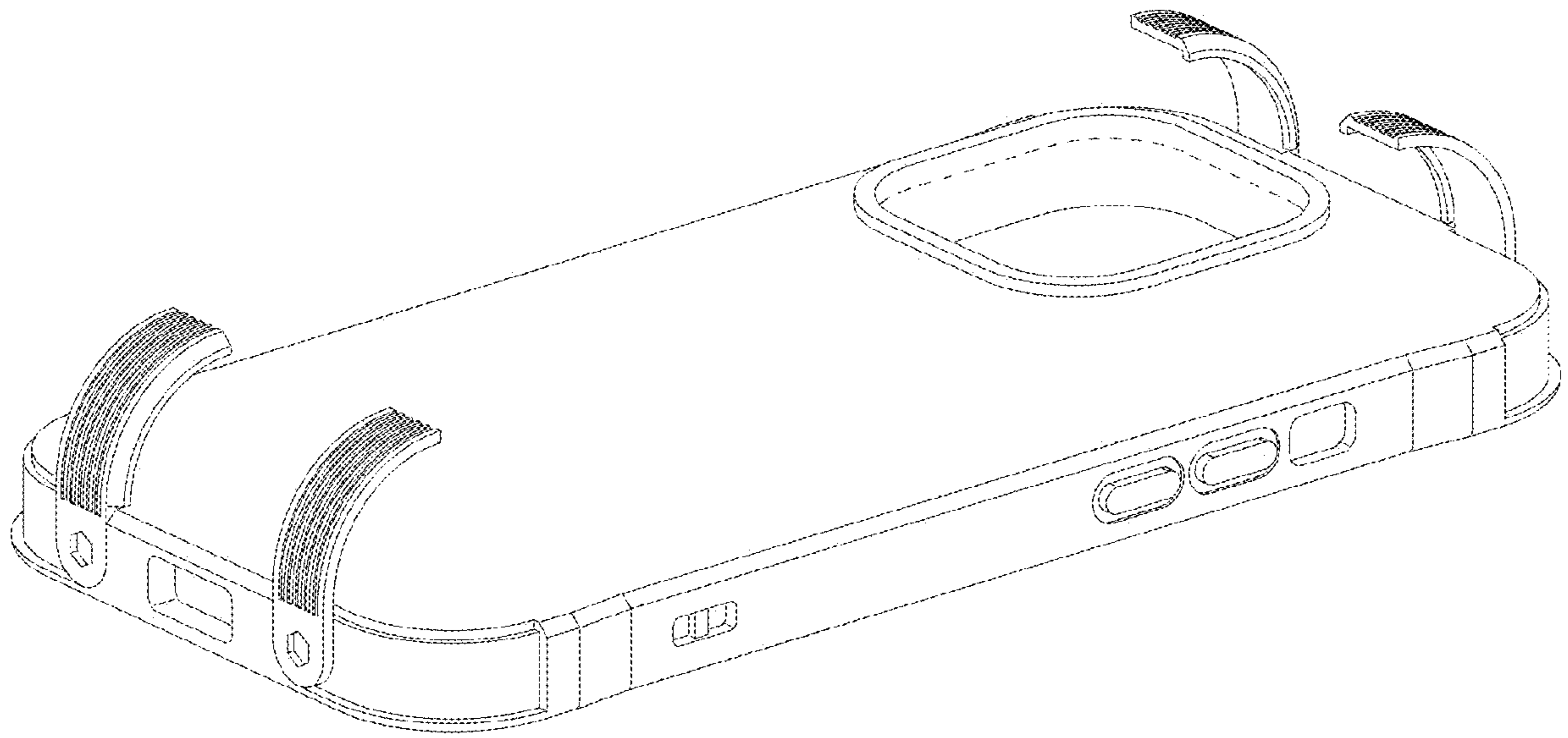


FIG. 1

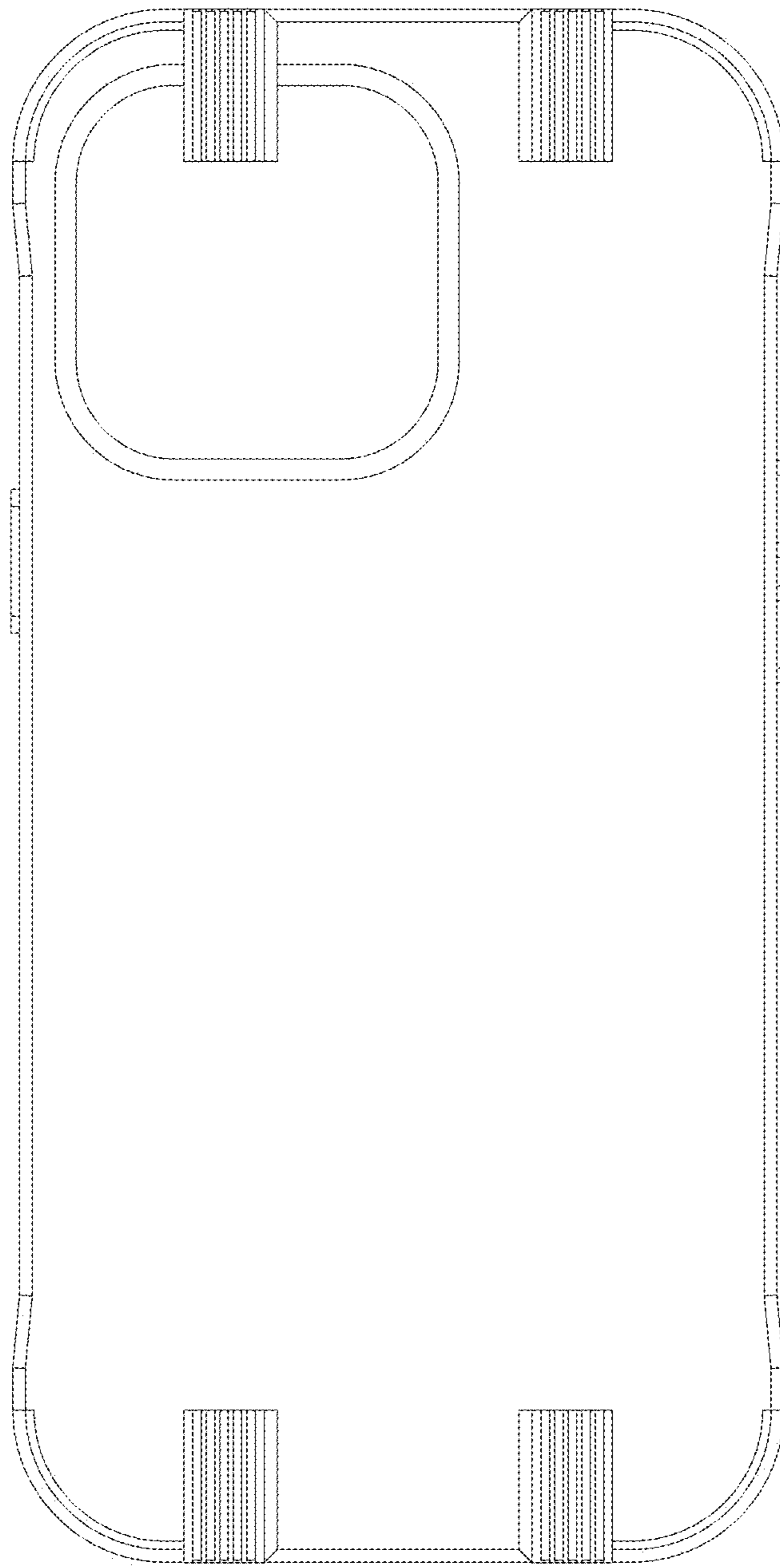


FIG. 2

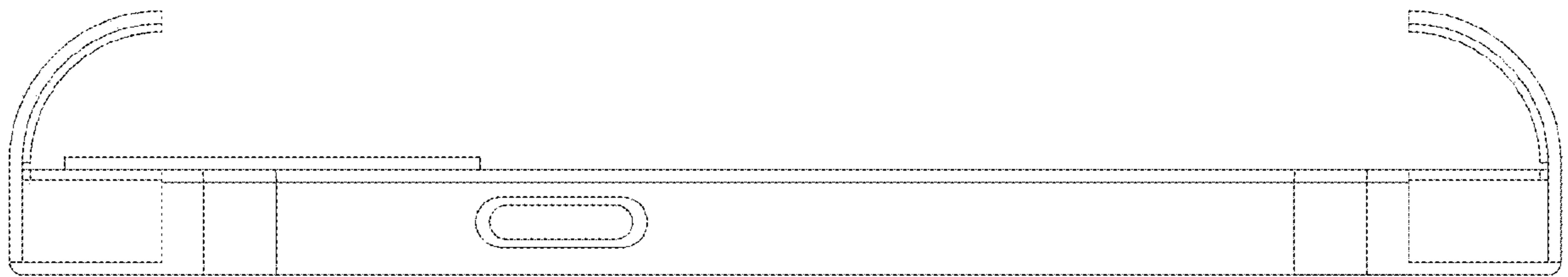


FIG. 3

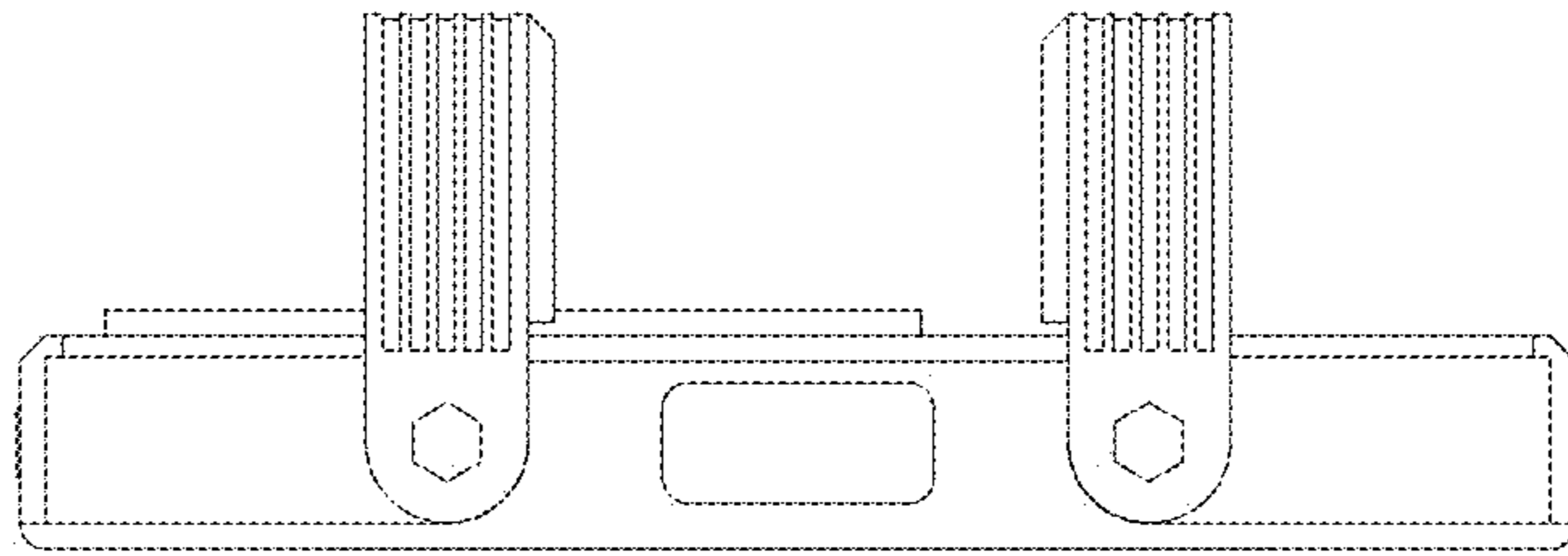


FIG.4

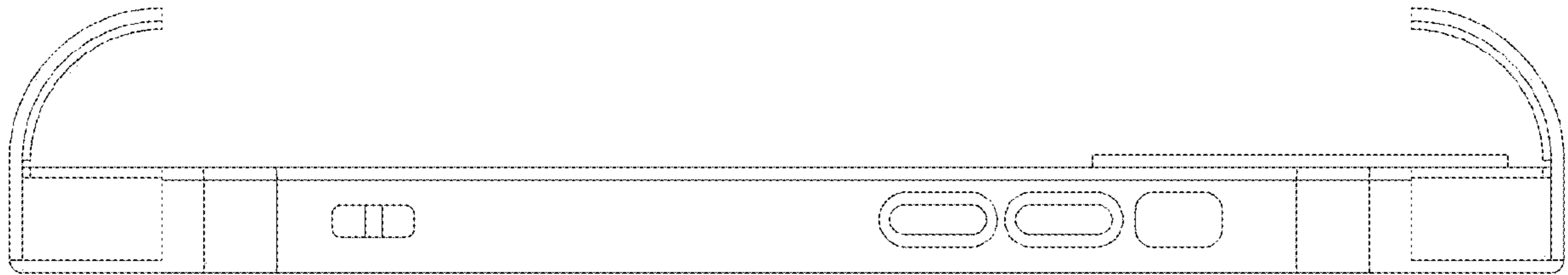


FIG. 5

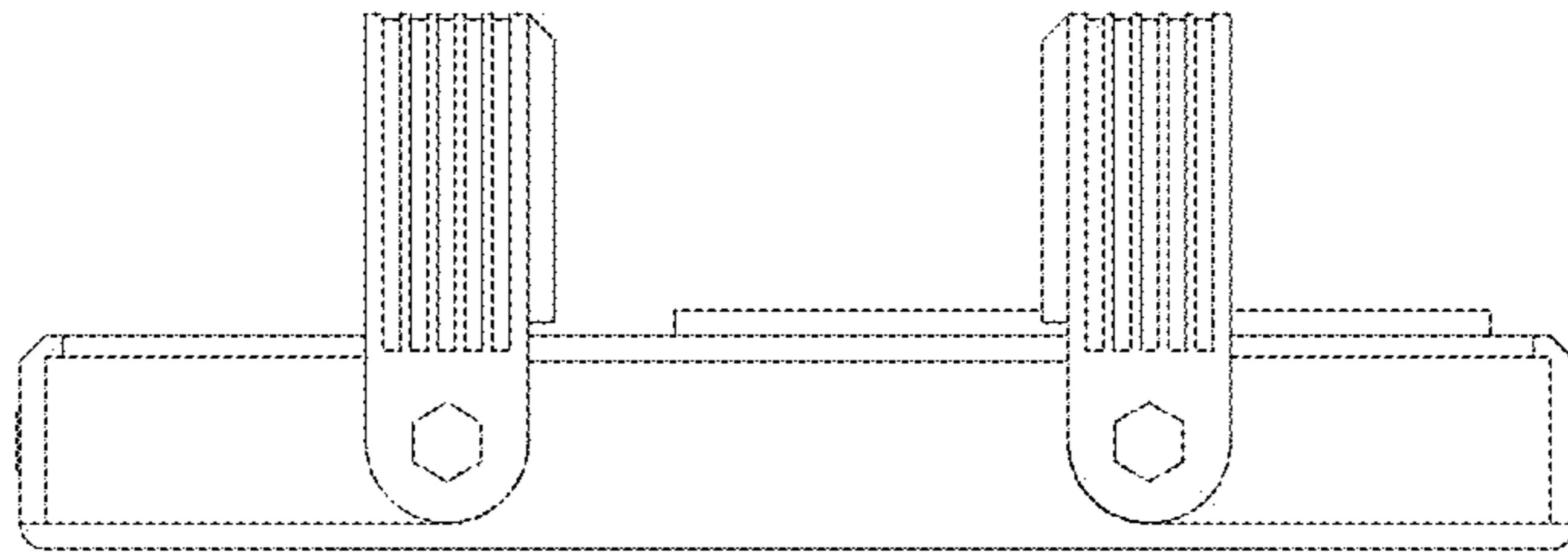


FIG.6

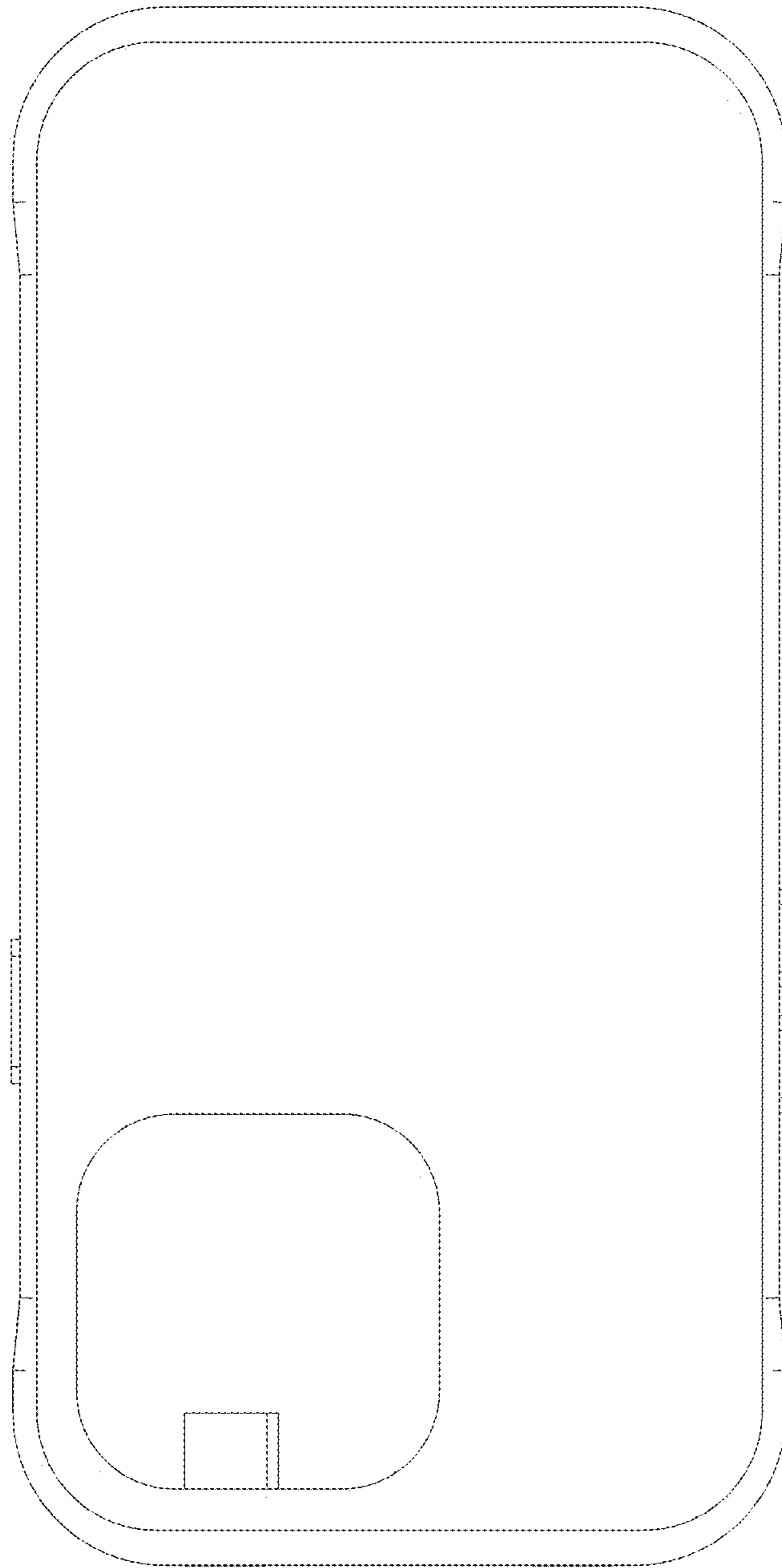


FIG. 7