



US00D983775S

(12) **United States Design Patent**  
**Varela et al.**

(10) **Patent No.:** **US D983,775 S**  
(45) **Date of Patent:** **\*\* Apr. 18, 2023**

- (54) **ELECTRONIC DEVICE**
- (71) Applicant: **Amazon Technologies, Inc.**, Seattle, WA (US)
- (72) Inventors: **Felipe A. Varela**, San Jose, CA (US); **Jonathan Howard Biddle**, San Francisco, CA (US); **Marc Rene Walliser**, San Francisco, CA (US)
- (73) Assignee: **Amazon Technologies, Inc.**, Seattle, WA (US)
- (\*\*) Term: **15 Years**
- (21) Appl. No.: **29/826,453**
- (22) Filed: **Feb. 11, 2022**

**Related U.S. Application Data**

- (62) Division of application No. 29/751,842, filed on Sep. 23, 2020, now Pat. No. Des. 946,559.
- (51) **LOC (14) Cl.** ..... **14-03**
- (52) **U.S. Cl.**  
USPC ..... **D14/240**
- (58) **Field of Classification Search**  
USPC .... D14/240, 242, 357, 358, 140–140.9, 155, D14/125, 137, 139, 243, 348, 349, 351, D14/354, 355  
CPC ..... H04L 12/00; H03K 17/00; H04W 88/00; H04W 88/005; H04W 88/02; H04W 88/08; H04W 88/085; H04W 88/10; H04W 88/12; H04W 88/14; H04B 1/38  
See application file for complete search history.

(56) **References Cited**

**U.S. PATENT DOCUMENTS**

- D234,684 S 4/1975 Olson
- D301,877 S 6/1989 Greenberg et al.
- D409,199 S 5/1999 Taguchi et al.

- D430,873 S 9/2000 Parker
- D483,353 S 12/2003 Hyogo
- D804,535 S \* 12/2017 Gardner ..... D14/203.3
- D904,301 S 12/2020 Smalley et al.
- D908,116 S 1/2021 Ye et al.
- D941,693 S \* 1/2022 Walliser ..... D10/52
- D946,559 S \* 3/2022 Varela ..... D14/240

**OTHER PUBLICATIONS**

Chinese Office Action dated Jun. 3, 2021 for Chinese Patent Application No. 202130131655.3, a foreign counterpart to U.S. Appl. No. 29/751,842, 2 pages.  
 Indian Office Action dated Apr. 28, 2021 for Indian Patent Application No. 341077-001, a foreign counterpart of U.S. Appl. No. 29/751,842, 2 pages.

\* cited by examiner

*Primary Examiner* — Bridget L Eland  
 (74) *Attorney, Agent, or Firm* — Lee & Hayes, P.C.

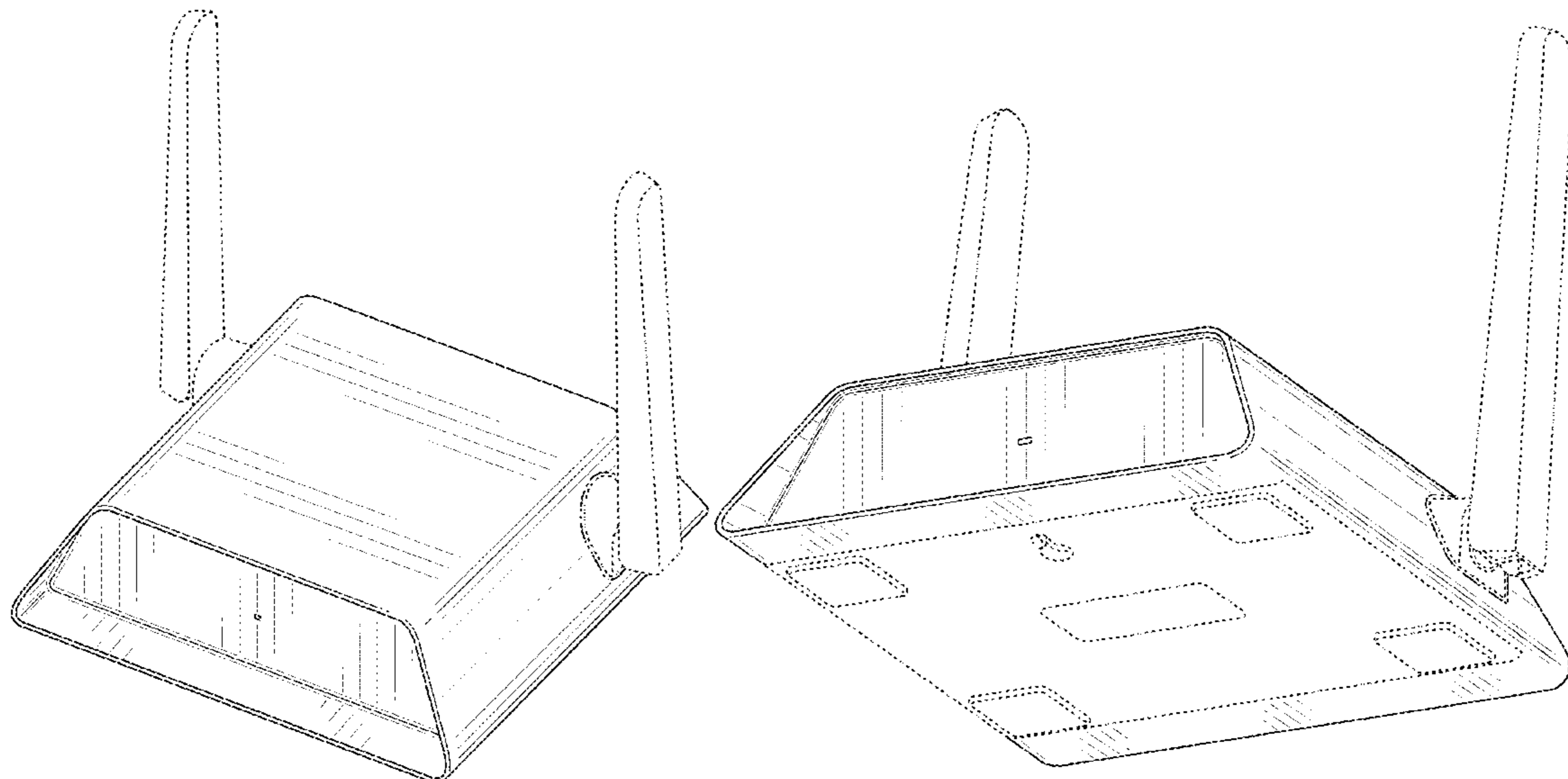
(57) **CLAIM**

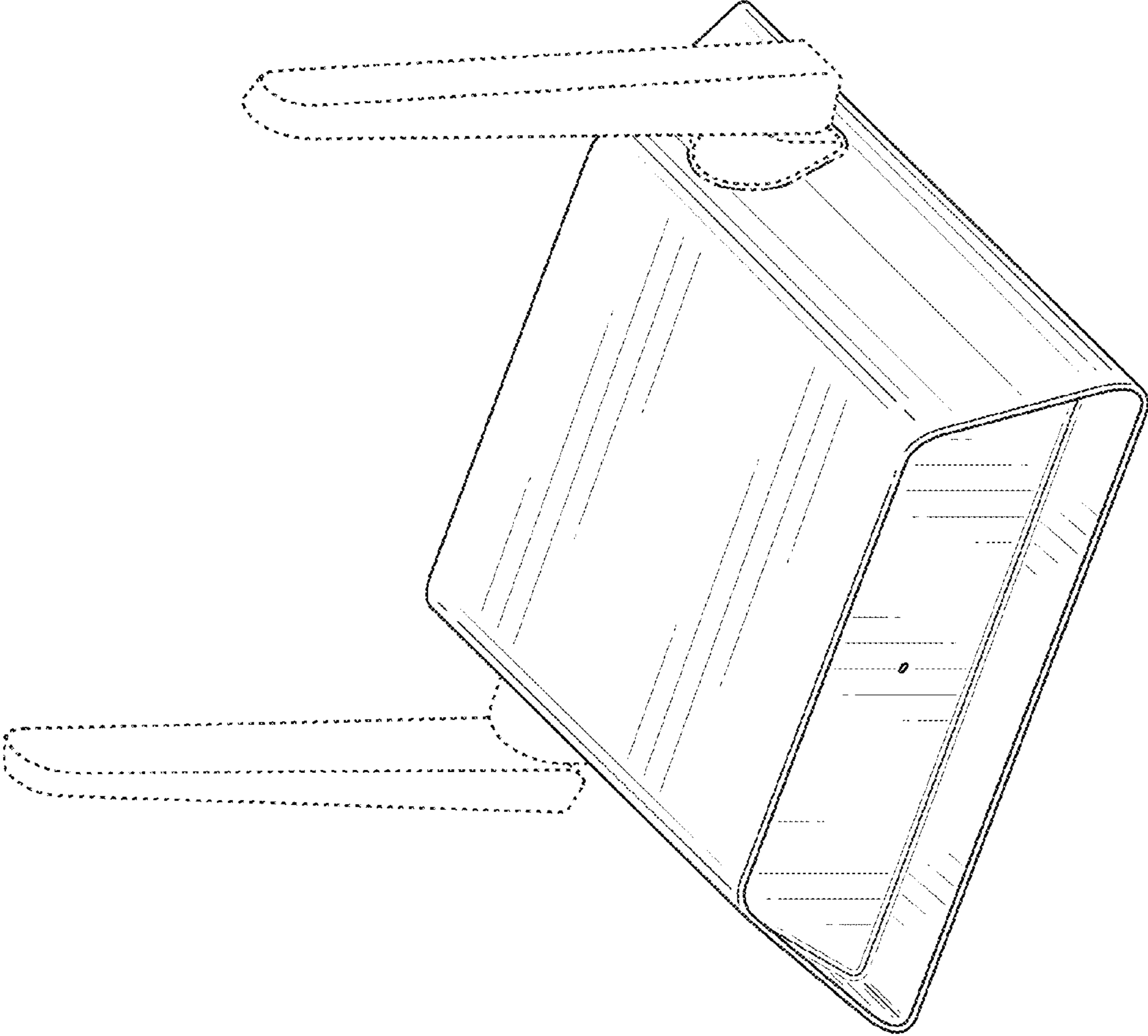
The ornamental design for an electronic device, as shown and described.

**DESCRIPTION**

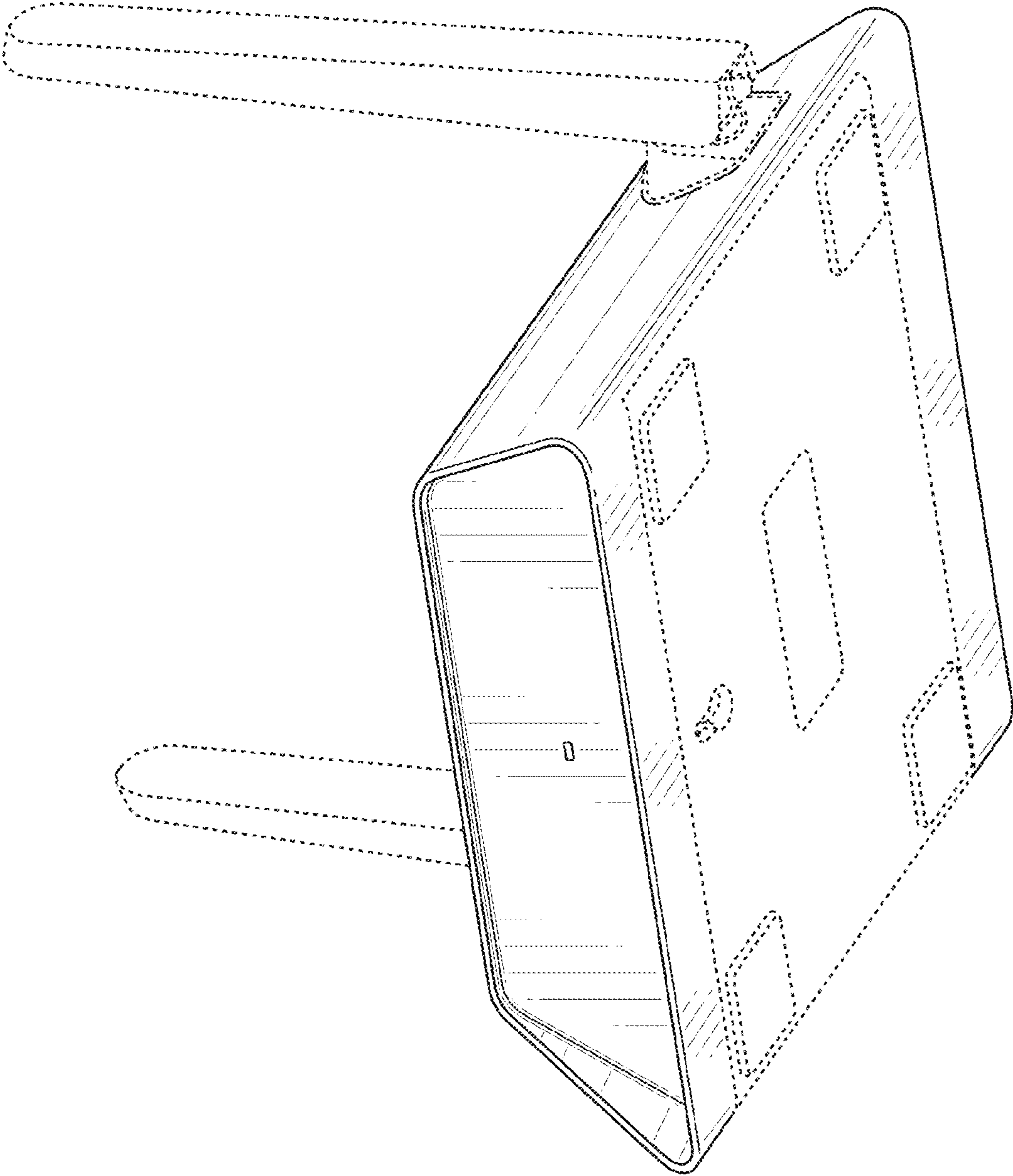
FIG. 1 is a top, front, right-side perspective view of an electronic device;  
 FIG. 2 is a bottom, front, right-side perspective view thereof;  
 FIG. 3 is a front view thereof;  
 FIG. 4 is a back view thereof;  
 FIG. 5 is a right-side view thereof;  
 FIG. 6 is a left-side view thereof;  
 FIG. 7 is a top view thereof; and,  
 FIG. 8 is a bottom view thereof.  
 The dashed broken lines depict portions of the electronic device that form no part of the claimed design. The dot-dashed broken lines represent boundaries of the claimed electronic device and form no part of the claimed design.

**1 Claim, 8 Drawing Sheets**

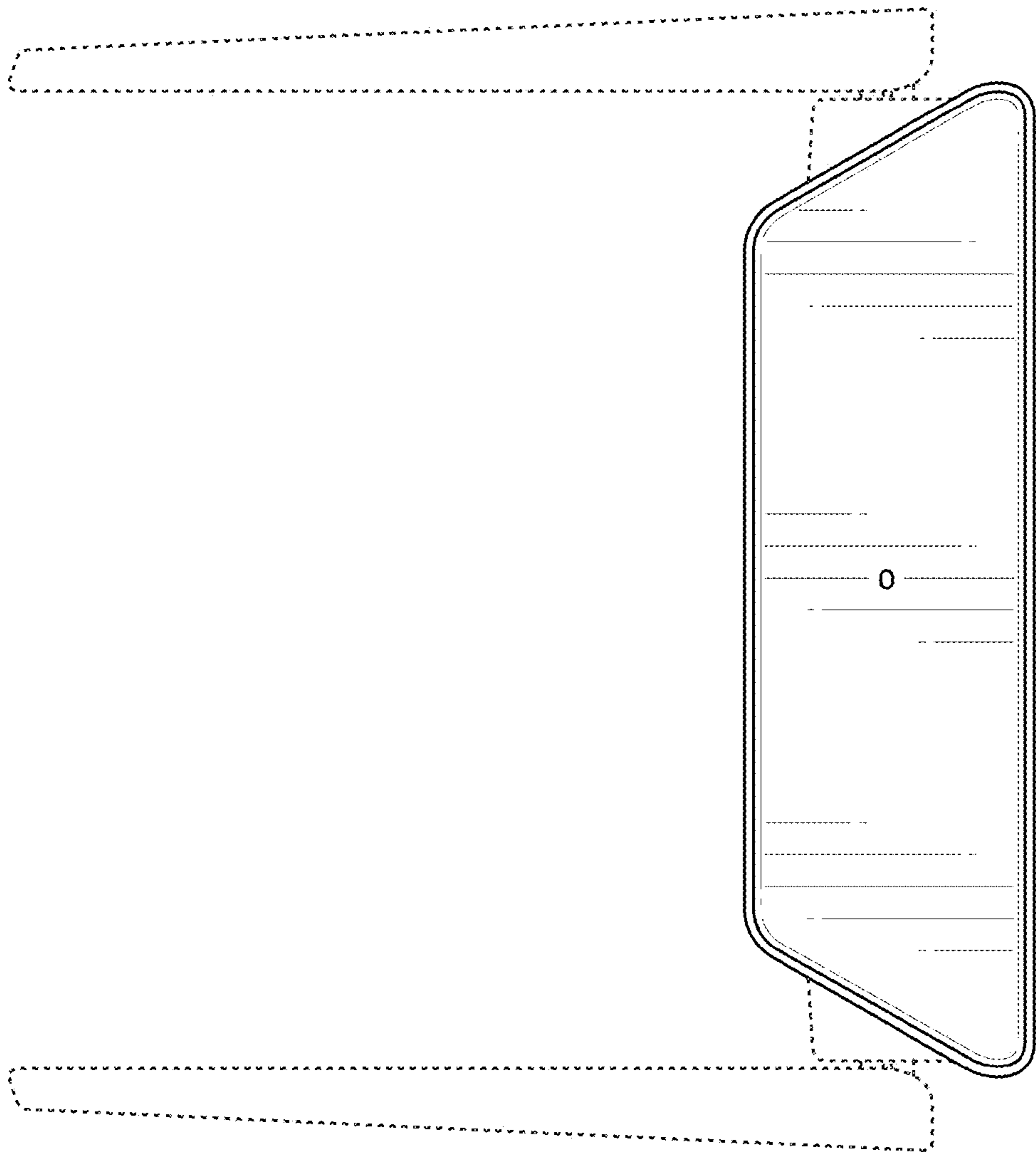




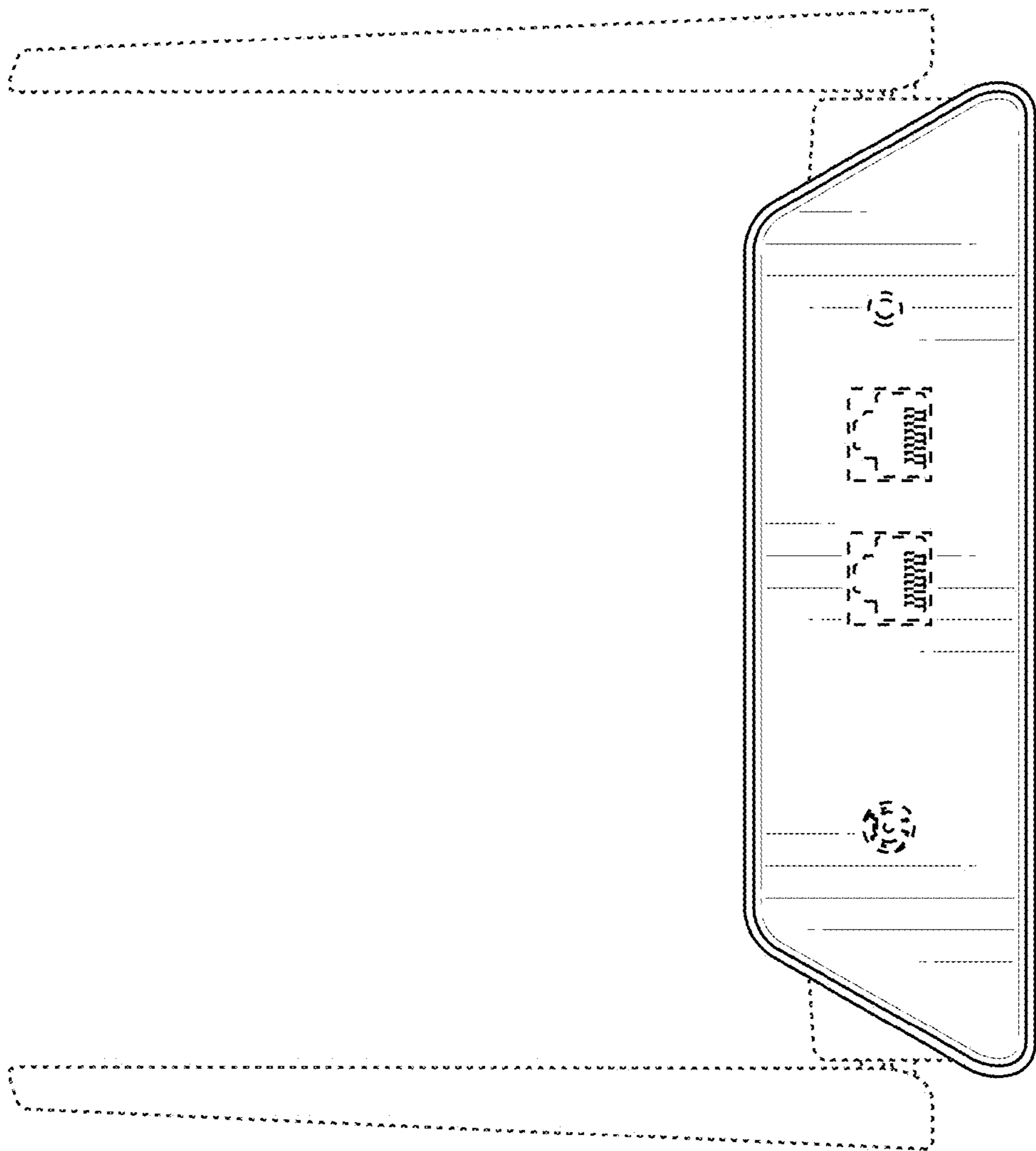
**FIG. 1**



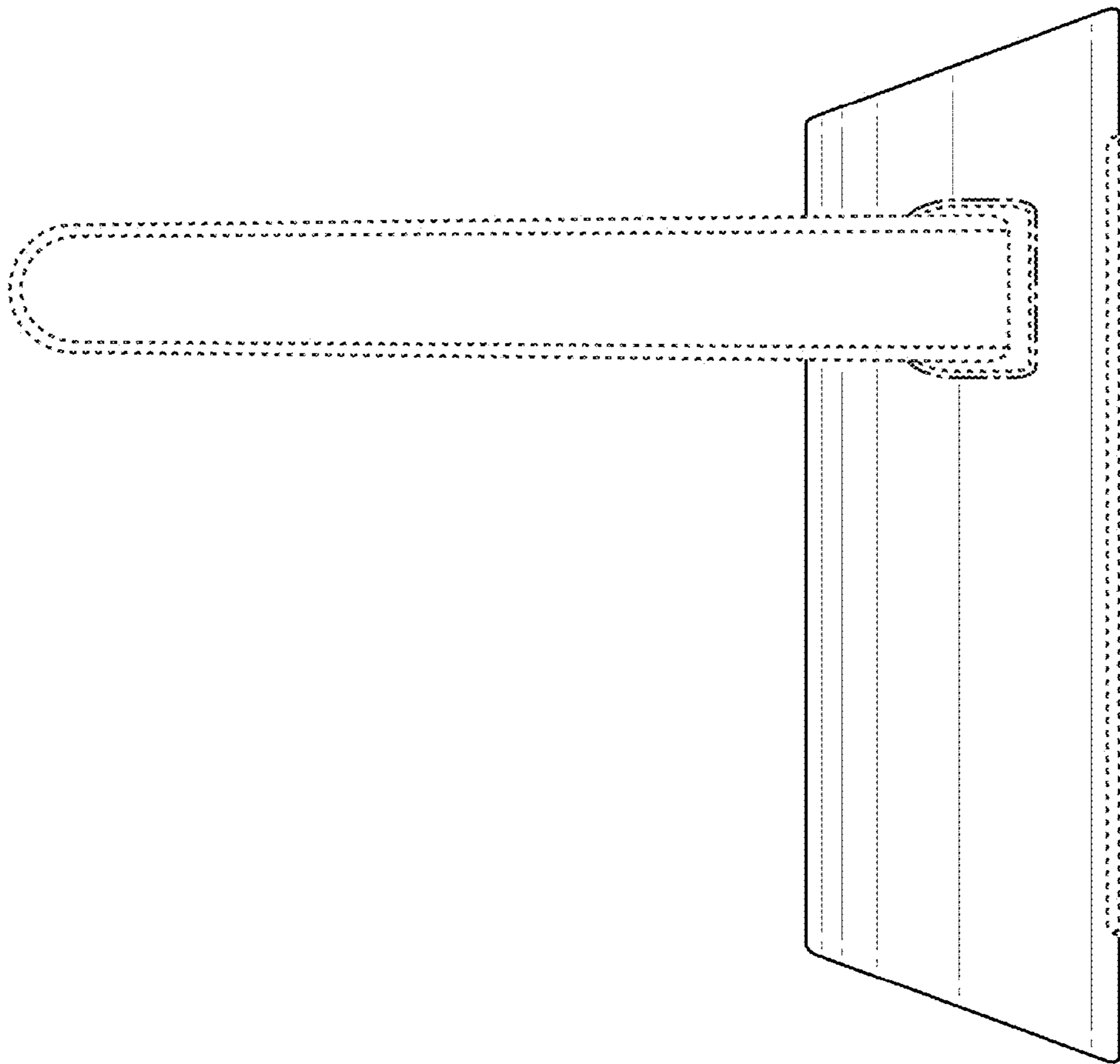
**FIG. 2**



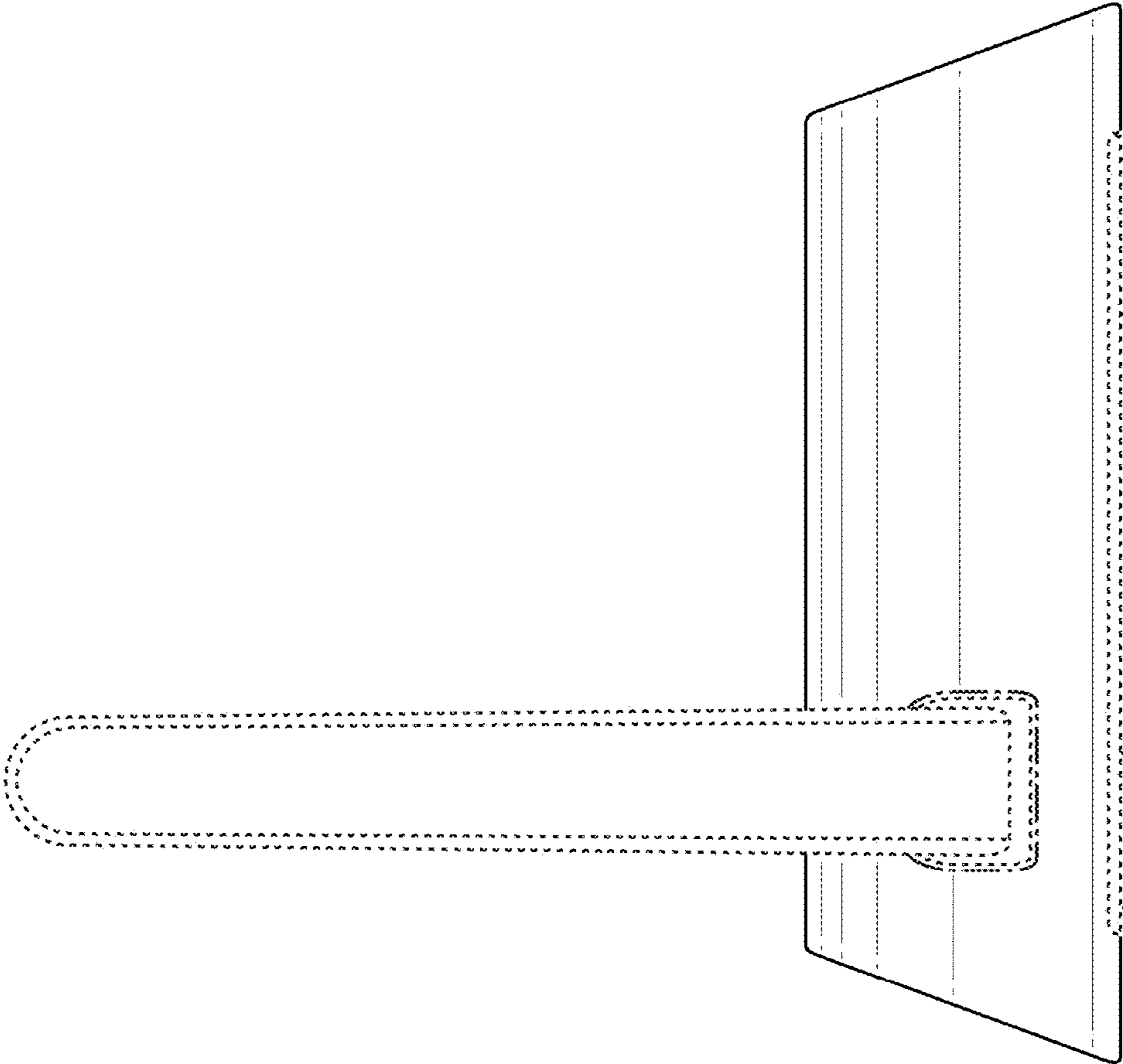
**FIG. 3**



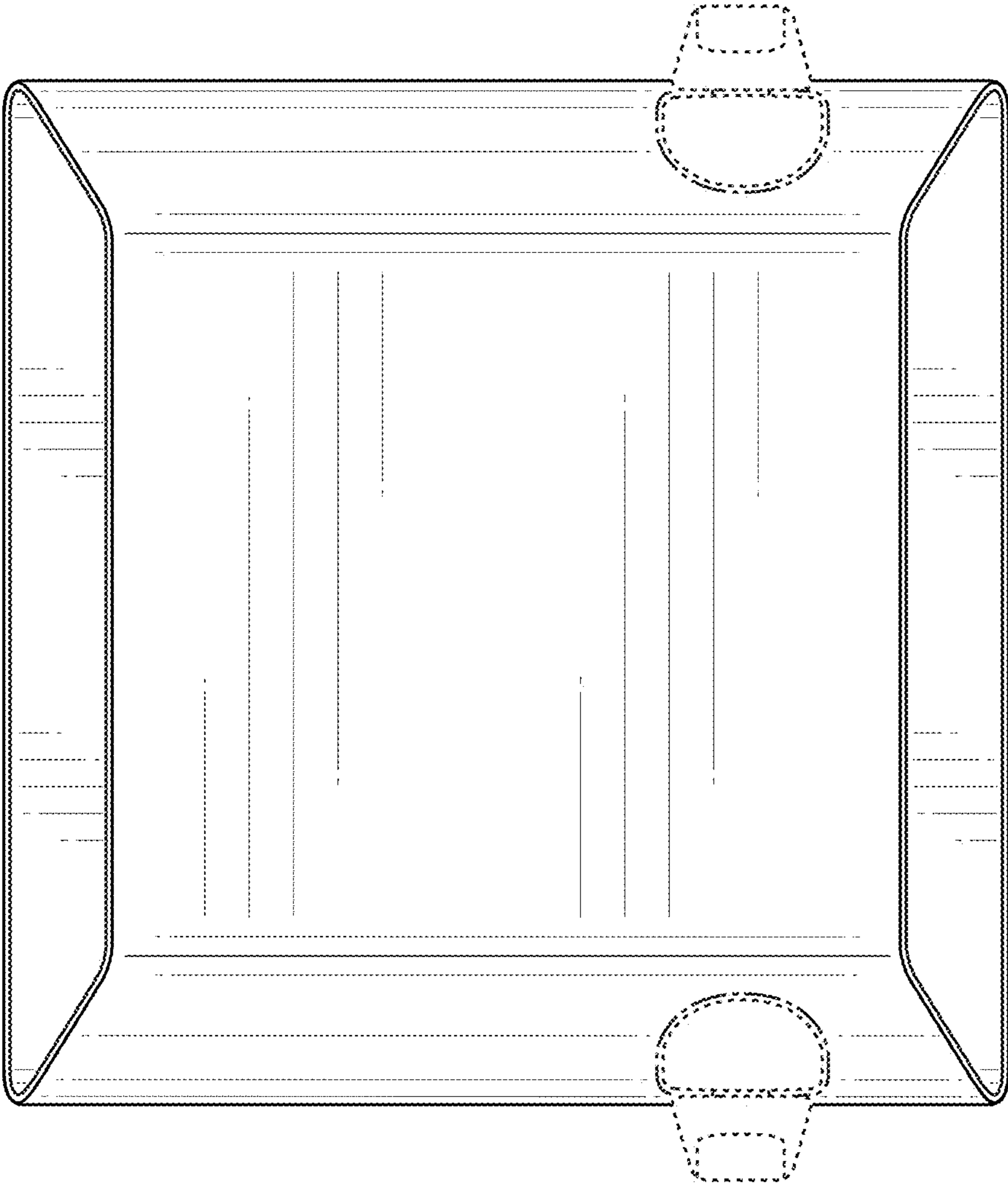
**FIG. 4**



**FIG. 5**

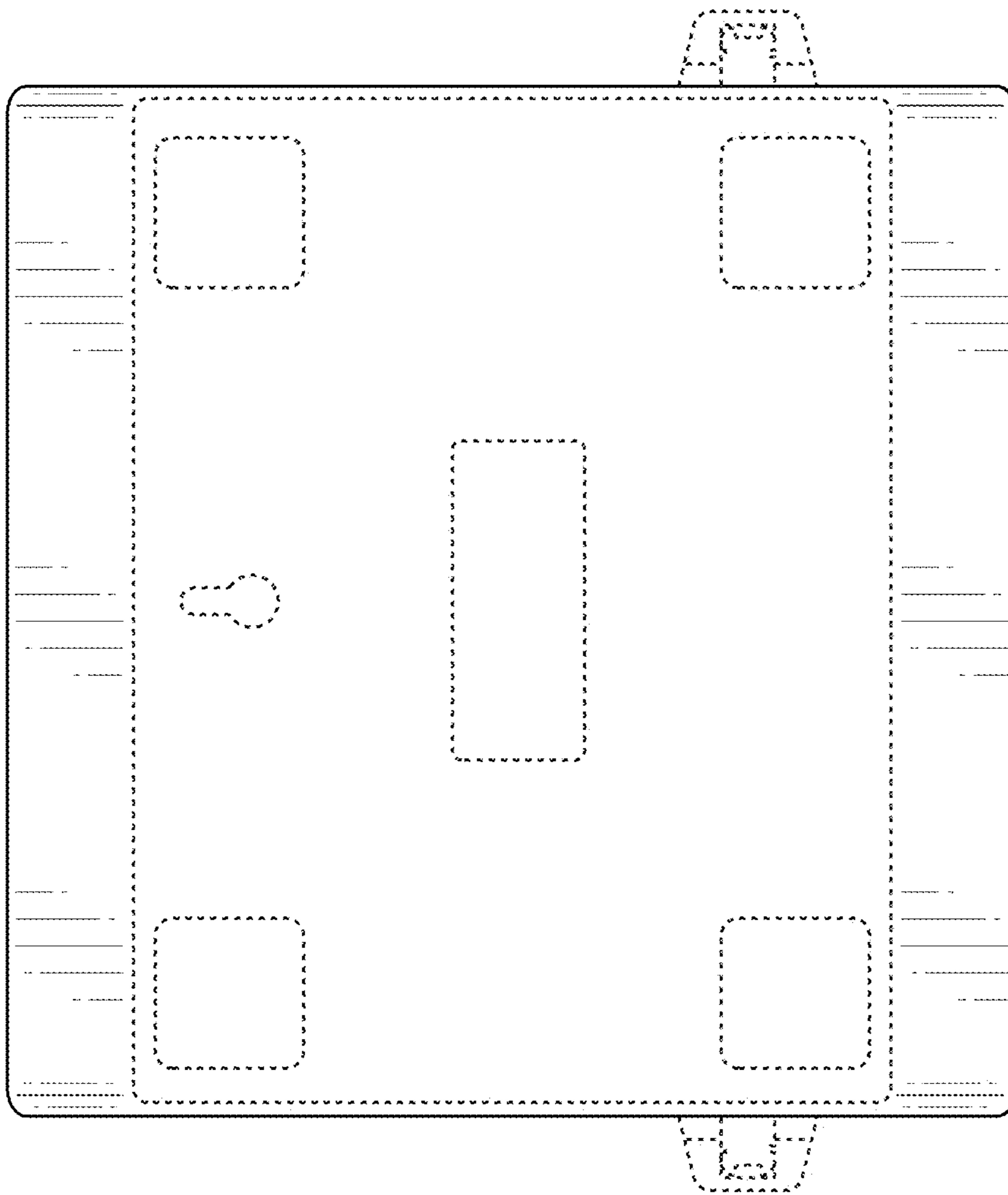


**FIG. 6**



**FIG. 7**





**FIG. 8**