



US00D983774S

(12) **United States Design Patent**
Kim et al.

(10) **Patent No.:** **US D983,774 S**

(45) **Date of Patent:** **** Apr. 18, 2023**

(54) **ANTENNA SUPPORTER**

(56) **References Cited**

(71) Applicant: **KMW INC.**, Hwaseong-si (KR)

U.S. PATENT DOCUMENTS

(72) Inventors: **In Ho Kim**, Yongin-si (KR); **Hyoung Seok Yang**, Hwaseong-si (KR); **Jin Soo Yeo**, Hwaseong-si (KR); **Yong Hee Han**, Osan-si (KR); **Seong Man Kang**, Hwaseong-si (KR)

D392,542 S * 3/1998 Ito D8/349
D915,867 S * 4/2021 Axelsson D8/349
D932,583 S * 10/2021 Tang D22/108

* cited by examiner

(73) Assignee: **KMW INC.**, Hwaseong-si (KR)

Primary Examiner — Khawaja Anwar
Assistant Examiner — Megan Tiana Rakos
(74) *Attorney, Agent, or Firm* — Insight Law Group, PLLC; Seung Lee

(**) Term: **15 Years**

(57) **CLAIM**

(21) Appl. No.: **29/735,398**

We claim the ornamental design for the antenna supporter, as shown and described.

(22) Filed: **May 20, 2020**

DESCRIPTION

(30) **Foreign Application Priority Data**

Nov. 21, 2019 (KR) 30-2019-0055795

(51) **LOC (14) Cl.** **14-03**

(52) **U.S. Cl.**
USPC **D14/238**

(58) **Field of Classification Search**
USPC D8/349, 354; D12/159; D14/238
CPC F16M 11/10
See application file for complete search history.

FIG. 1 is a perspective view of an antenna supporter showing our new design;
FIG. 2 is a front view thereof;
FIG. 3 is a rear view thereof;
FIG. 4 is a left-side view thereof;
FIG. 5 is a right-side view thereof;
FIG. 6 is a top view thereof; and,
FIG. 7 is a bottom view thereof.
The broken lines in the figures depict the unclaimed environment of the design.

1 Claim, 7 Drawing Sheets

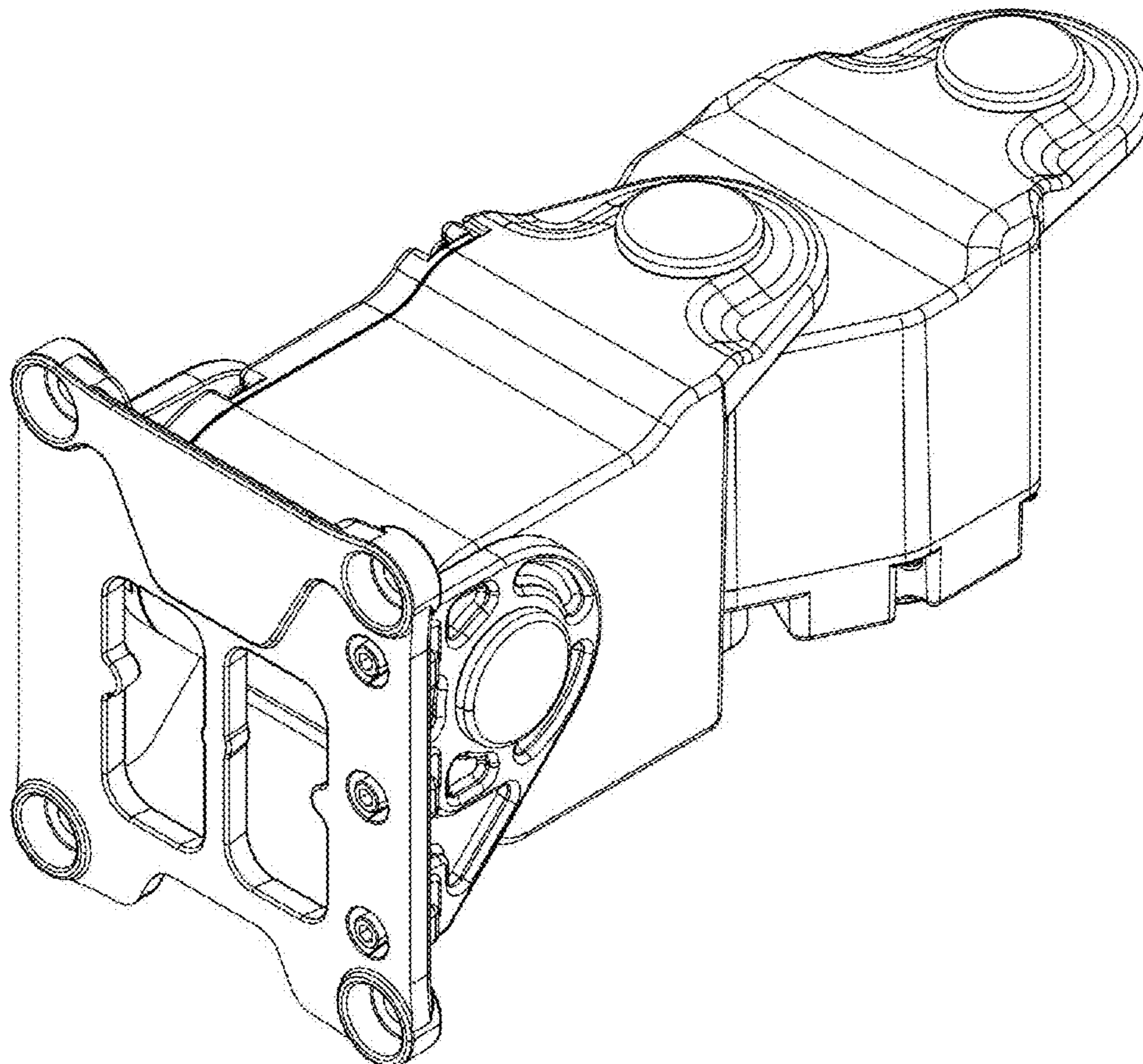


FIG. 1

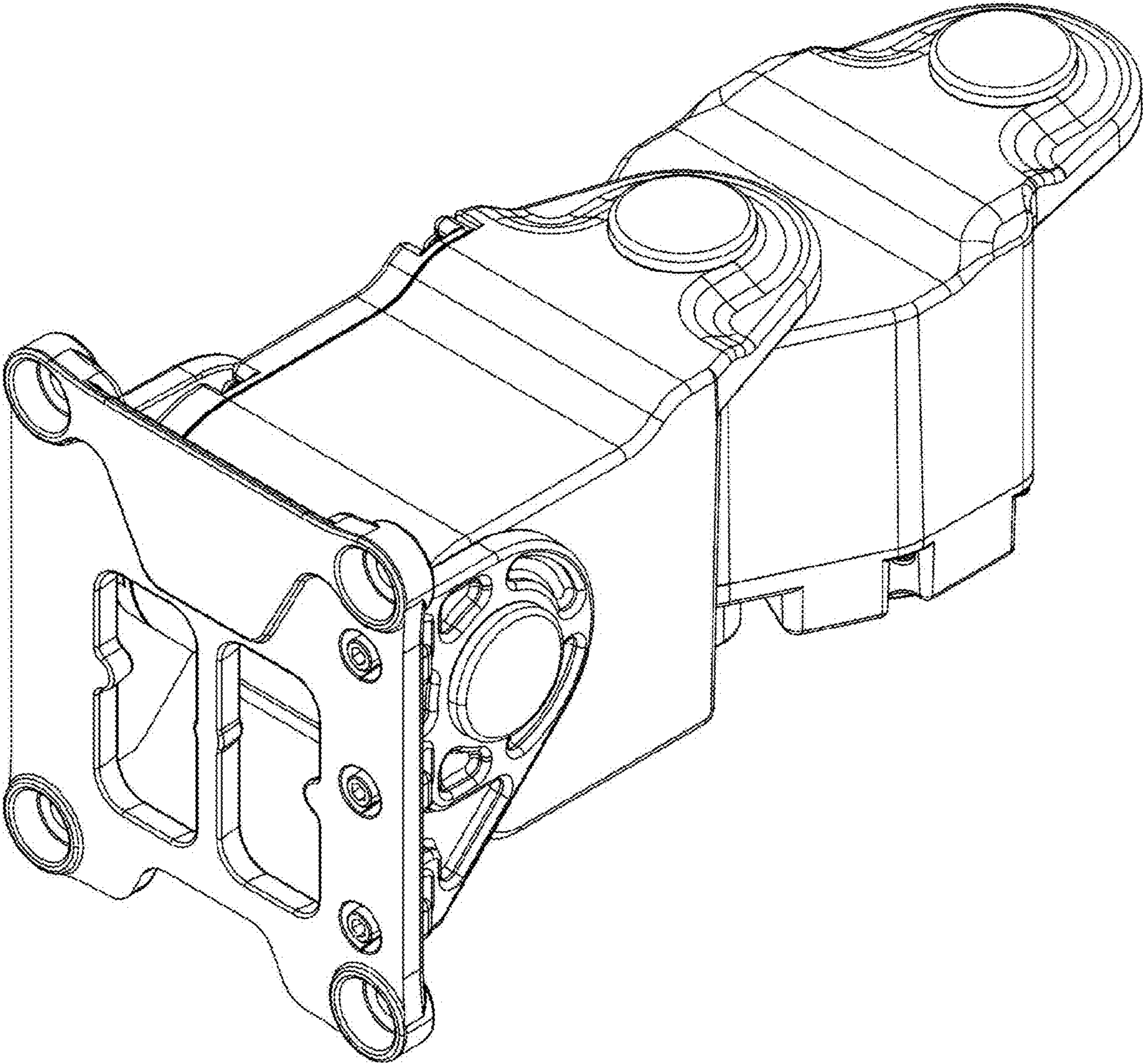


FIG. 2

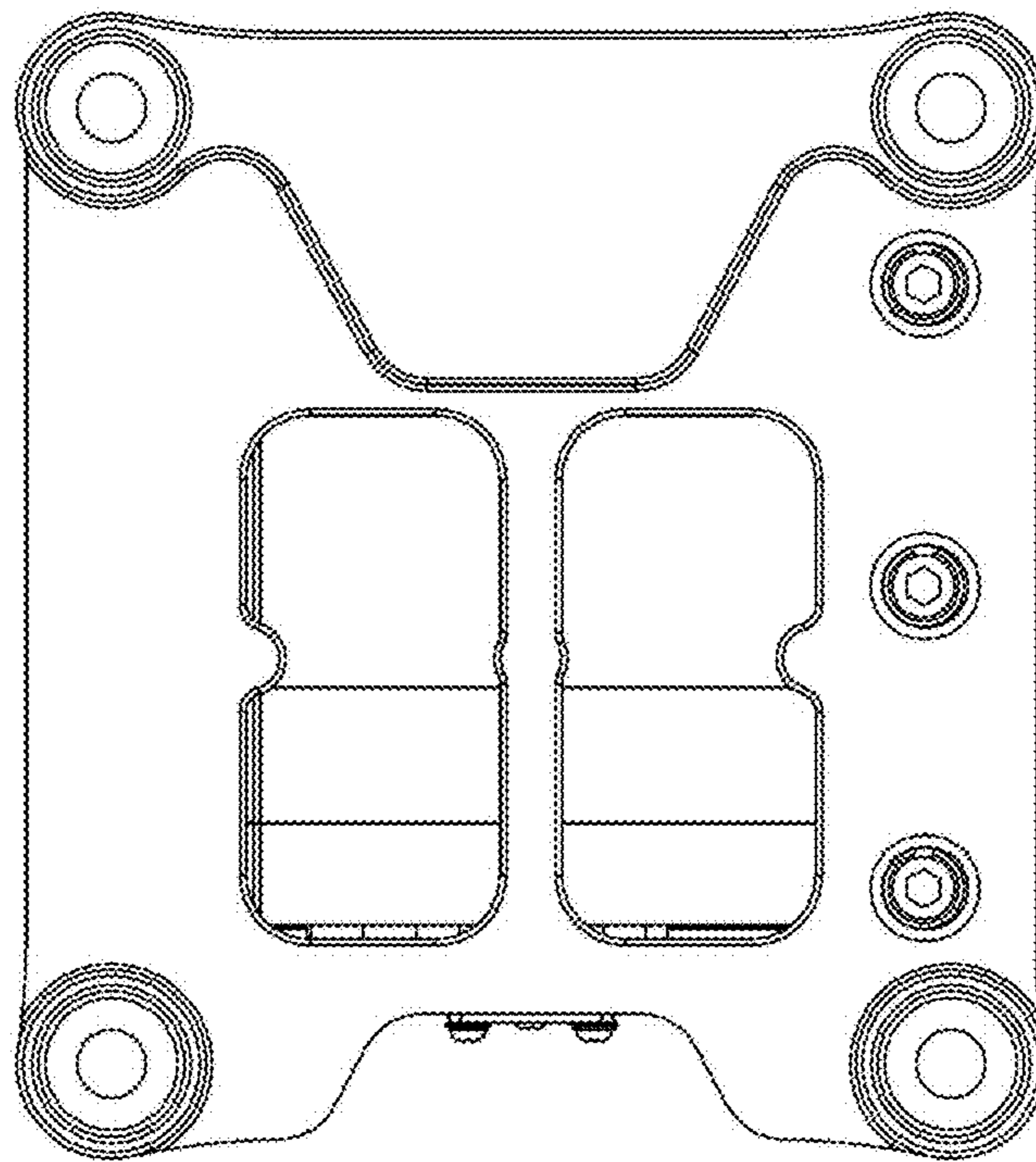


FIG. 3

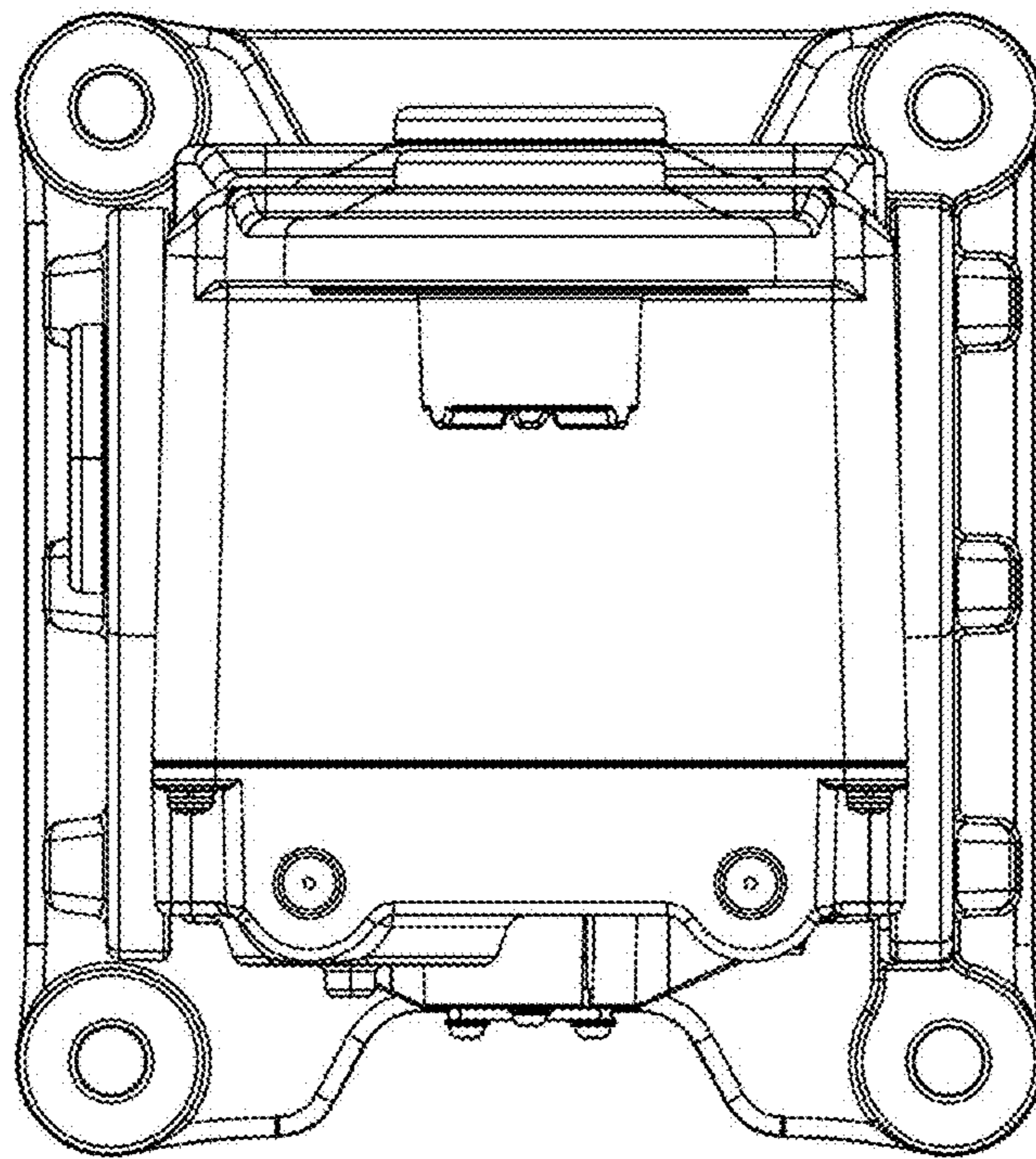


FIG. 4

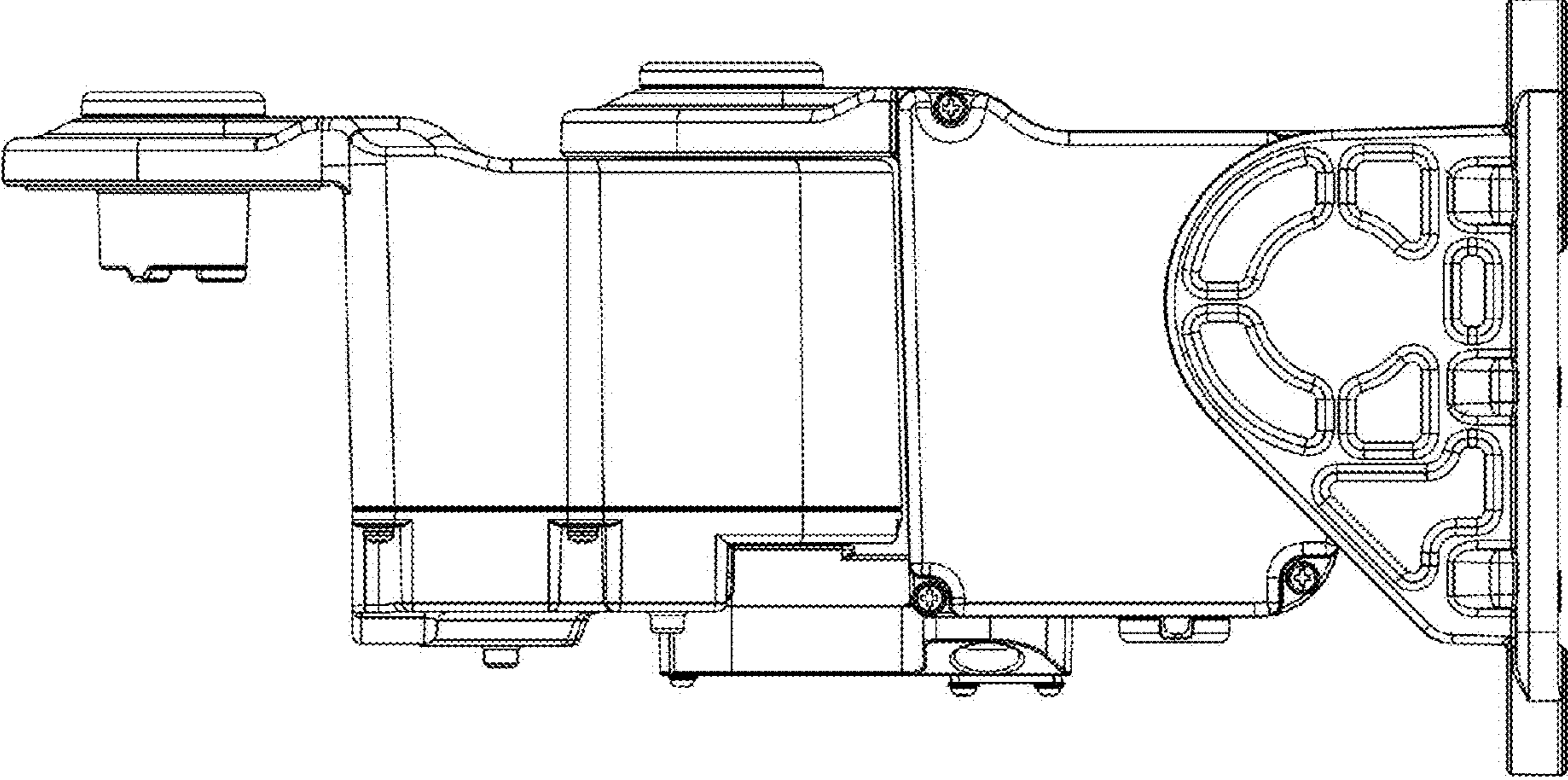


FIG. 5

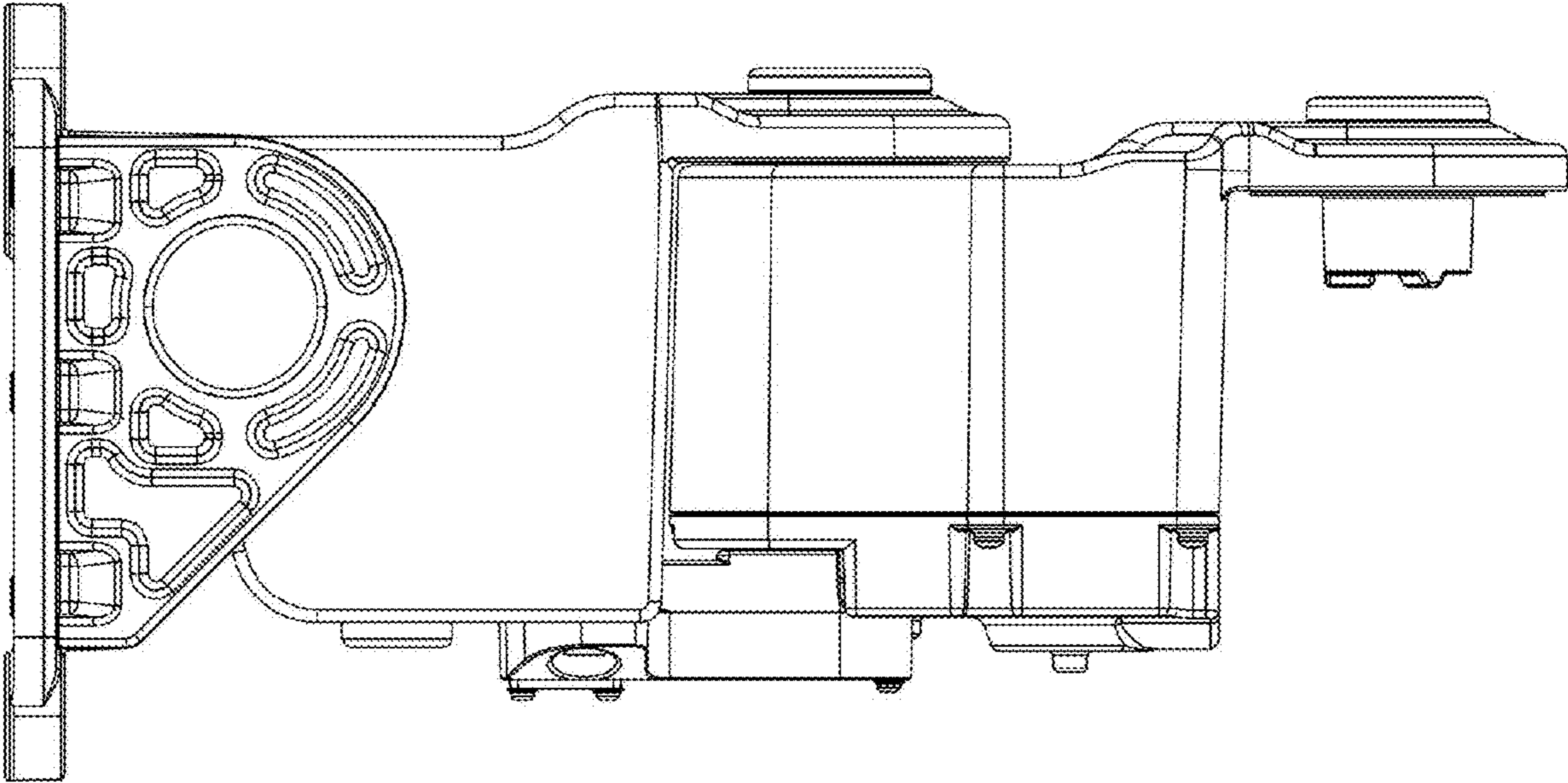


FIG. 6

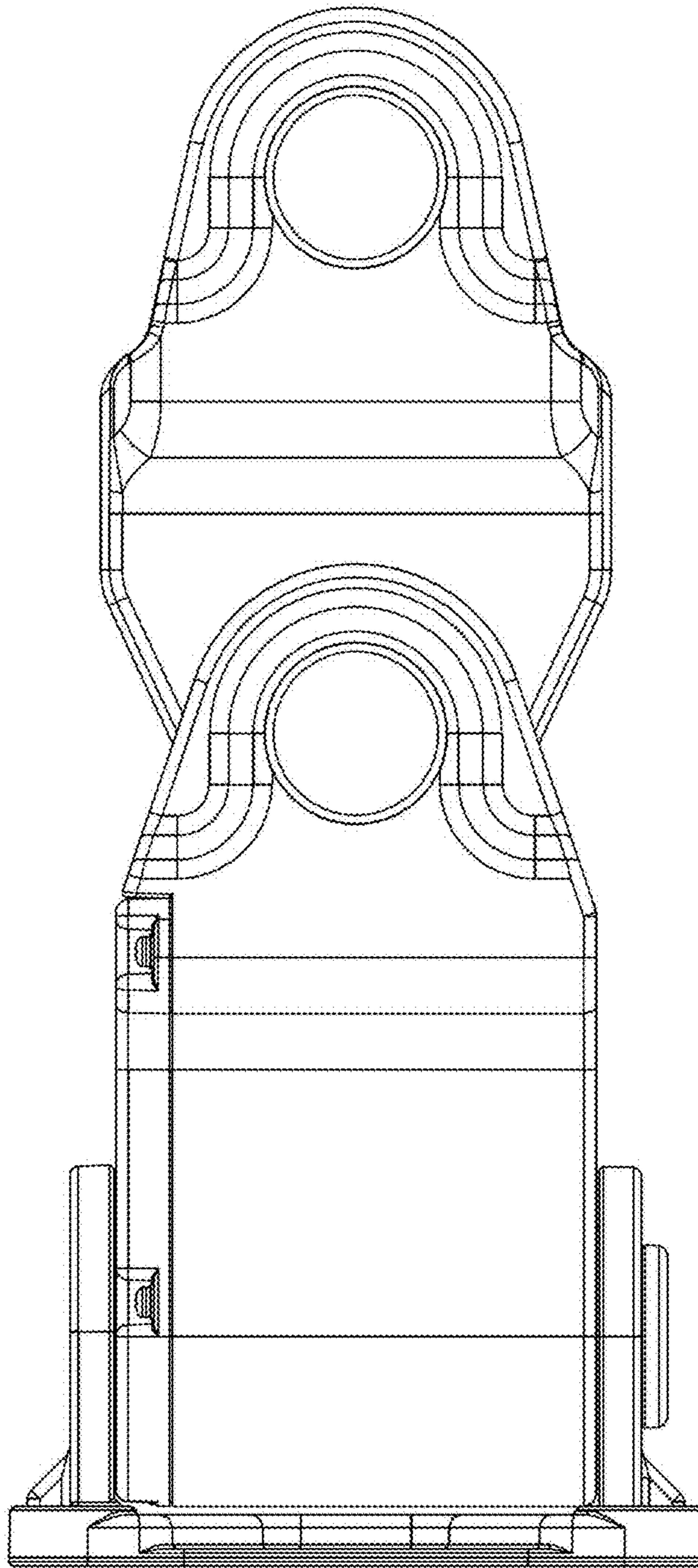


FIG. 7

