



US00D983771S

(12) **United States Design Patent**
Yan

(10) **Patent No.:** **US D983,771 S**
(45) **Date of Patent:** **** Apr. 18, 2023**

- (54) **WIRELESS EARPHONE**
- (71) Applicant: **Shenzhen FuShiKe Electronic Co., Ltd, Shenzhen (CN)**
- (72) Inventor: **Xiaohuang Yan, Shenzhen (CN)**
- (73) Assignee: **Shenzhen FuShiKe Electronic Co., Ltd, Shenzhen (CN)**
- (**) Term: **15 Years**
- (21) Appl. No.: **29/778,143**
- (22) Filed: **Apr. 12, 2021**
- (51) **LOC (14) Cl.** **14-01**
- (52) **U.S. Cl.**
USPC **D14/223; D14/205; D14/206**
- (58) **Field of Classification Search**
USPC D14/223, 205, 206; D24/174;
128/864-866; 379/430; 381/380, 381,
381/374
CPC H04R 1/10; H04R 25/00; H04R 1/1016;
H04R 1/1066; H04R 5/033; H04R
5/0335; H04R 1/105
See application file for complete search history.

D596,164	S	*	7/2009	Henning	D14/223
D600,682	S	*	9/2009	Wai	D14/223
D602,476	S	*	10/2009	Lee	D14/223
7,609,845	B2	*	10/2009	Chang	H04R 1/1066 381/381
D604,722	S	*	11/2009	Mistry	D14/223
D606,521	S	*	12/2009	Birger	D14/223
D619,998	S	*	7/2010	Birger	D14/223
D622,265	S	*	8/2010	Rye	D14/223
7,778,410	B2	*	8/2010	Liu	H04M 1/05 381/381
D625,710	S	*	10/2010	Yang	D14/223
D625,711	S	*	10/2010	Yang	D14/223
D630,622	S	*	1/2011	Lee	D14/223
D633,481	S	*	3/2011	Chen	D14/223

(Continued)

FOREIGN PATENT DOCUMENTS

CN	302901953	*	8/2014
CN	304407636	*	12/2017

(Continued)

Primary Examiner — Paula Allen Greene

(57) **CLAIM**

The ornamental design for a wireless earphone, as shown and described.

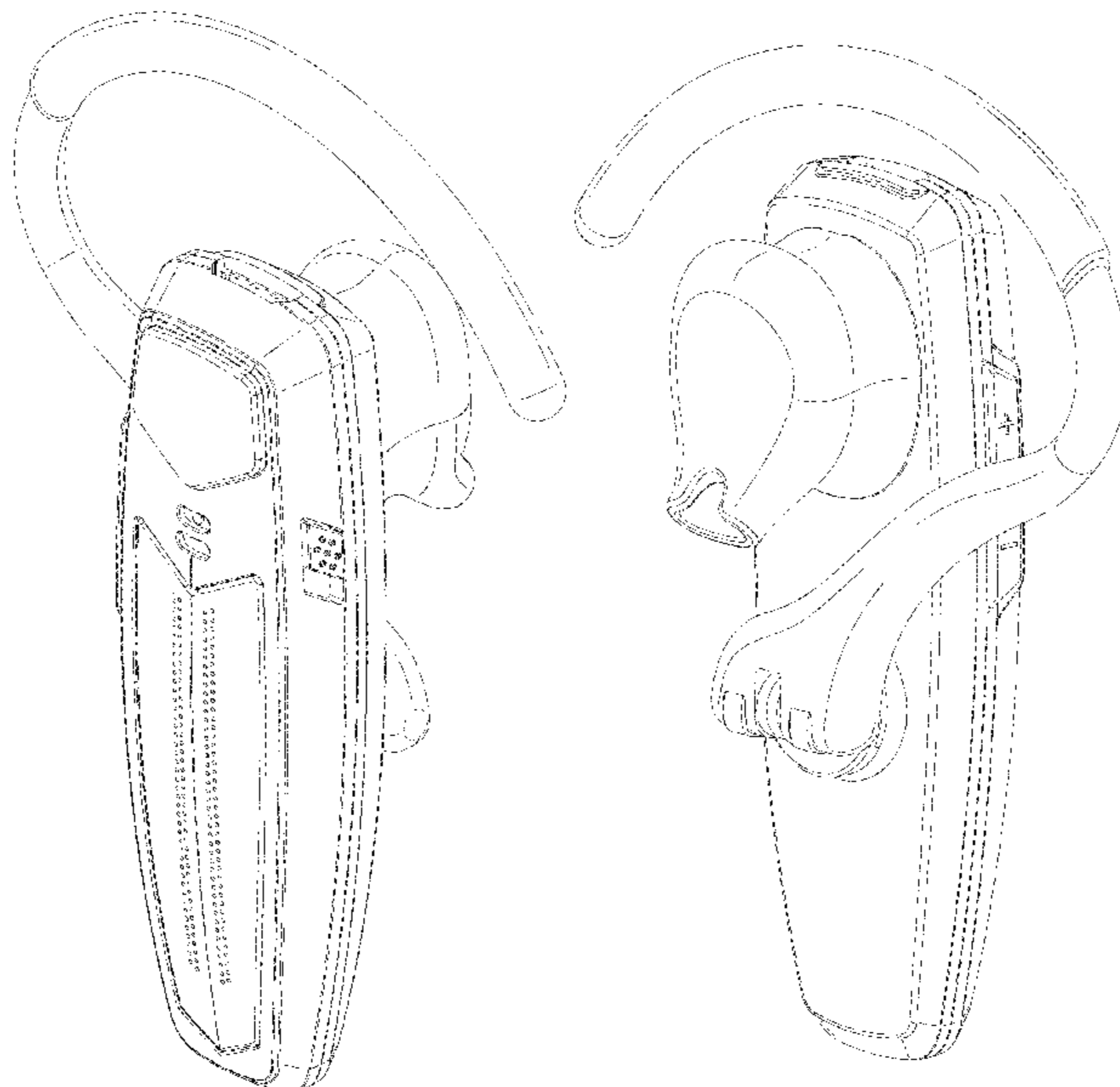
DESCRIPTION

FIG. 1 is a front perspective view of a wireless earphone showing my new design;
 FIG. 2 is a front elevational view thereof;
 FIG. 3 is a rear elevational view thereof;
 FIG. 4 is a left side elevational view thereof;
 FIG. 5 is a right side elevational view thereof;
 FIG. 6 is a top plan view thereof;
 FIG. 7 is a bottom plan view thereof; and,
 FIG. 8 is a rear perspective view thereof.
 The broken lines depict portions of the wireless earphone that form no part of the claimed design.

1 Claim, 8 Drawing Sheets

(56) **References Cited**
U.S. PATENT DOCUMENTS

D326,653	S	*	6/1992	Hino	D14/205
D520,497	S	*	5/2006	Yang	D14/223
7,079,664	B2	*	7/2006	Nassimi	H04R 25/558 381/328
D550,658	S	*	9/2007	Wang	D14/223
D555,150	S	*	11/2007	Christopher	D14/223
D565,033	S	*	3/2008	Goransson	D14/223
D566,108	S	*	4/2008	Kan	D14/223
D569,842	S	*	5/2008	Yang	D14/223
D575,277	S	*	8/2008	Gaarde	D14/223
D590,813	S	*	4/2009	Bradford	D14/223
D595,698	S	*	7/2009	Guccione	D14/223



(56)

References Cited

U.S. PATENT DOCUMENTS

D634,305 S * 3/2011 Hoggarth D14/223
 D648,710 S * 11/2011 Ha D14/223
 D656,128 S * 3/2012 Park D14/223
 D657,781 S * 4/2012 Yang D14/223
 8,259,984 B2 * 9/2012 van der Bilt H04R 1/1041
 381/384
 8,270,915 B2 * 9/2012 Sanford H01Q 1/44
 455/90.3
 D680,101 S * 4/2013 Koch D14/223
 D691,120 S * 10/2013 Koch D14/223
 8,611,578 B2 * 12/2013 Kim H02J 7/0044
 381/328
 8,611,582 B2 * 12/2013 Lee H04M 1/05
 381/381
 9,301,037 B1 * 3/2016 Kalyvas H04M 1/6041
 D754,639 S * 4/2016 Wu D14/223
 D772,203 S * 11/2016 Zeng D14/223
 D779,462 S * 2/2017 Birger D14/223
 D786,835 S * 5/2017 Wu D14/223
 D787,478 S * 5/2017 Wu D14/223
 D795,226 S * 8/2017 Lian D14/223
 D817,931 S * 5/2018 Yao D14/223
 D874,443 S * 2/2020 Yan D14/223
 D900,056 S * 10/2020 Jaques D14/223
 D936,036 S * 11/2021 Jaques D14/223
 D967,808 S * 10/2022 Tan D14/223

2003/0012396 A1 * 1/2003 Smith H04R 1/105
 381/381
 2003/0235321 A1 * 12/2003 Lu H04R 1/1066
 381/381
 2003/0235322 A1 * 12/2003 Lu H04R 1/1066
 381/381
 2007/0217643 A1 * 9/2007 Chang H04R 1/1066
 381/381
 2007/0274517 A1 * 11/2007 Huang H04M 1/05
 379/430
 2008/0232632 A1 * 9/2008 Liu H04M 1/05
 381/381
 2009/0304220 A1 * 12/2009 Fujikura H04R 1/1091
 381/380
 2011/0261988 A1 * 10/2011 Kromann H04R 1/1016
 381/380
 2013/0259286 A1 * 10/2013 Chung H04R 1/1016
 381/380
 2016/0261942 A1 * 9/2016 Hayden H04R 1/1016
 2017/0026738 A1 * 1/2017 Tang H04R 1/1091

FOREIGN PATENT DOCUMENTS

CN 304449932 * 1/2018
 CN 306175078 * 11/2020
 CN 307159327 * 3/2022
 EM 003612266-0007 * 1/2017

* cited by examiner

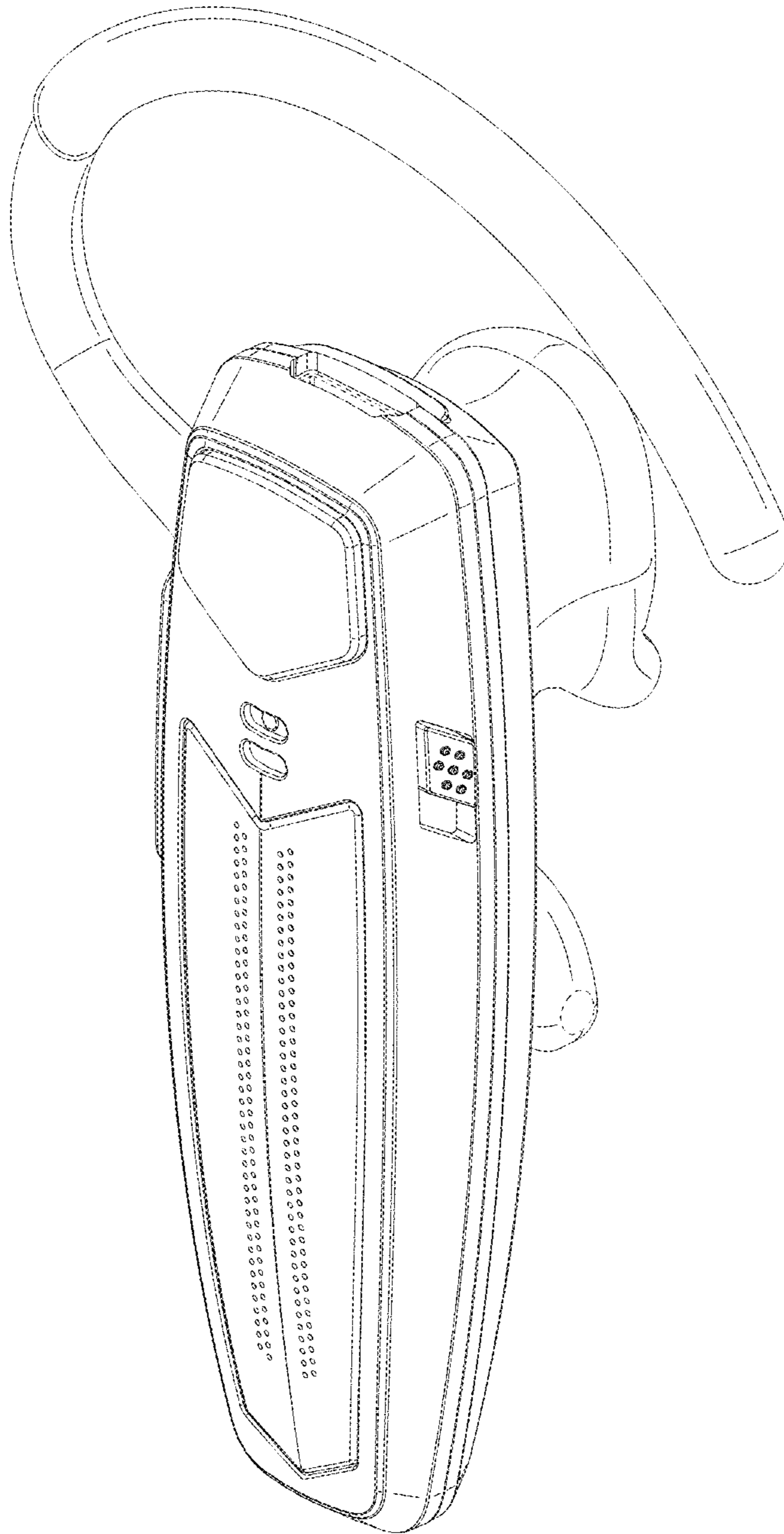


FIG. 1

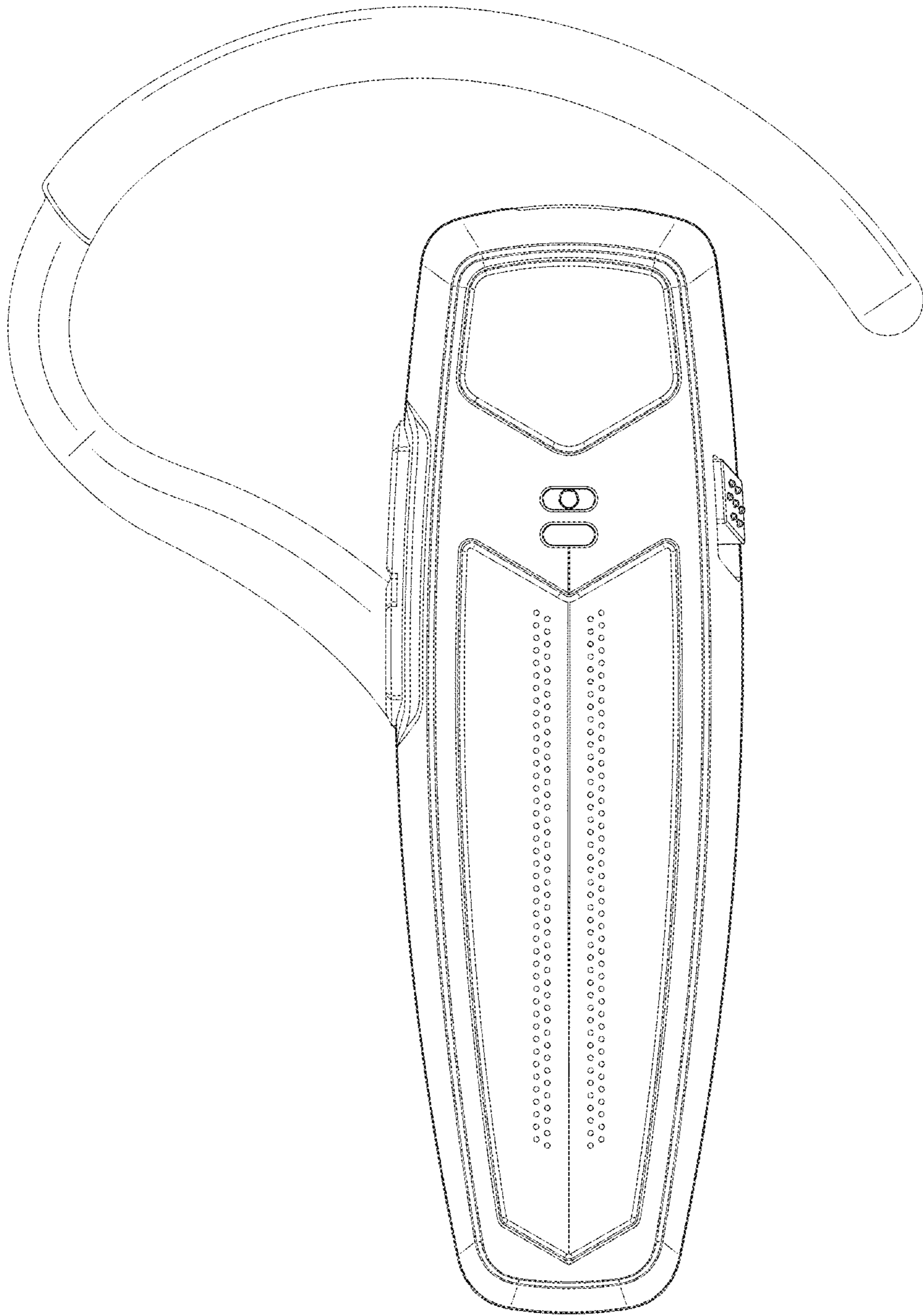


FIG. 2

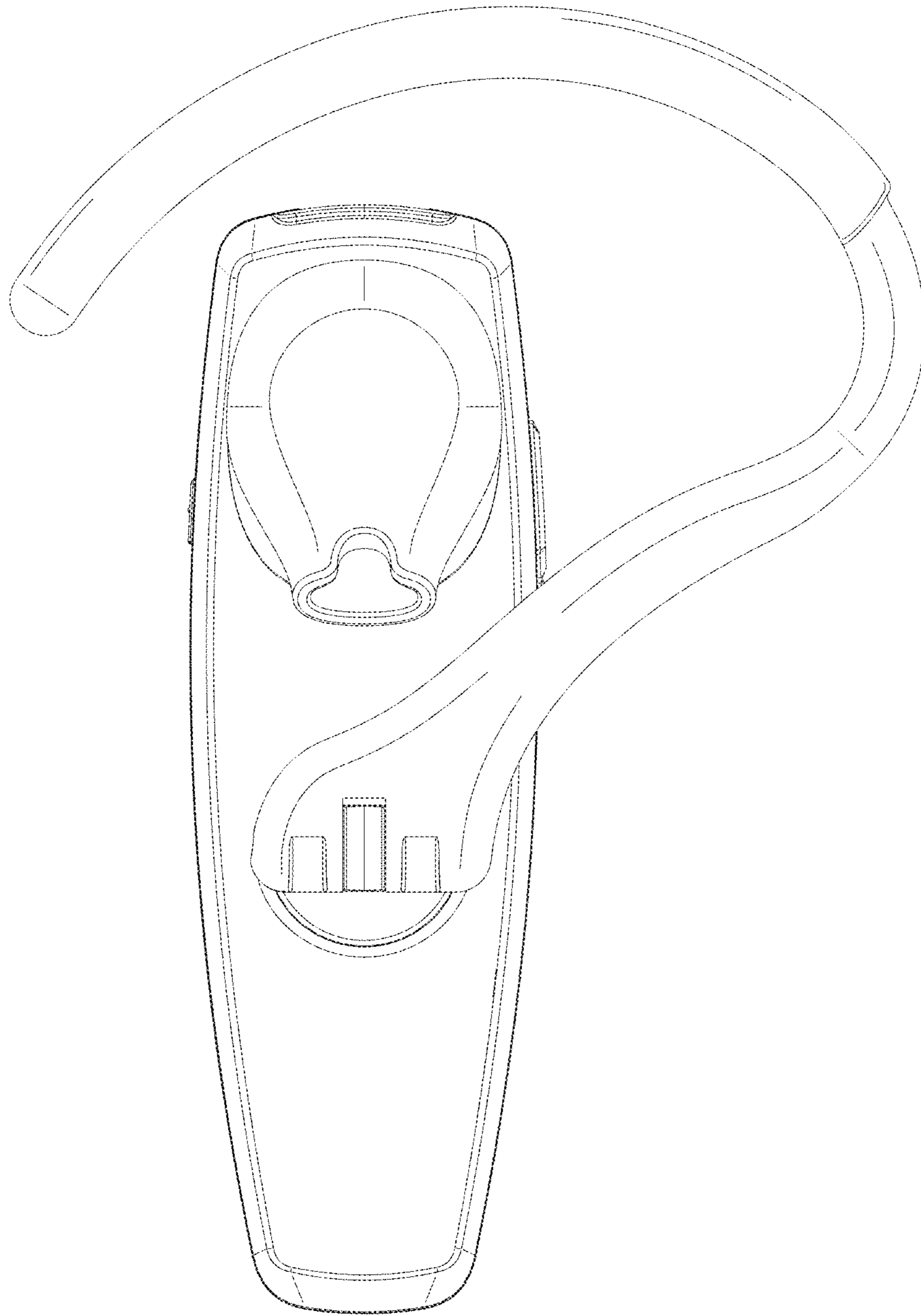


FIG. 3

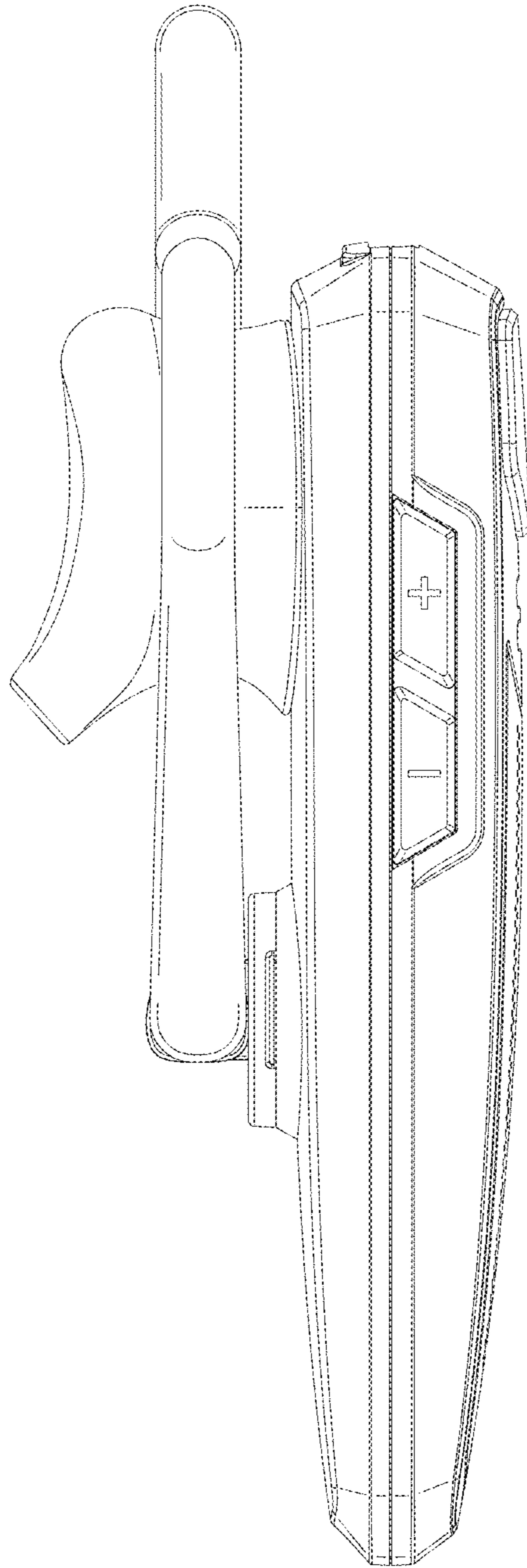


FIG. 4

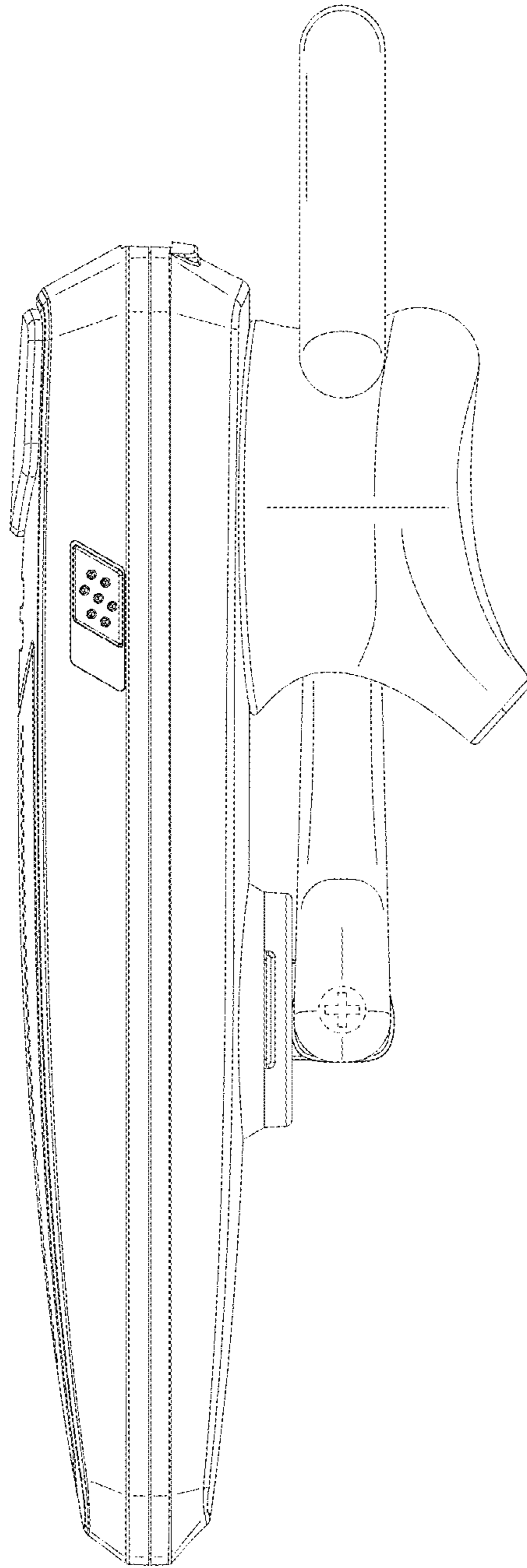


FIG. 5

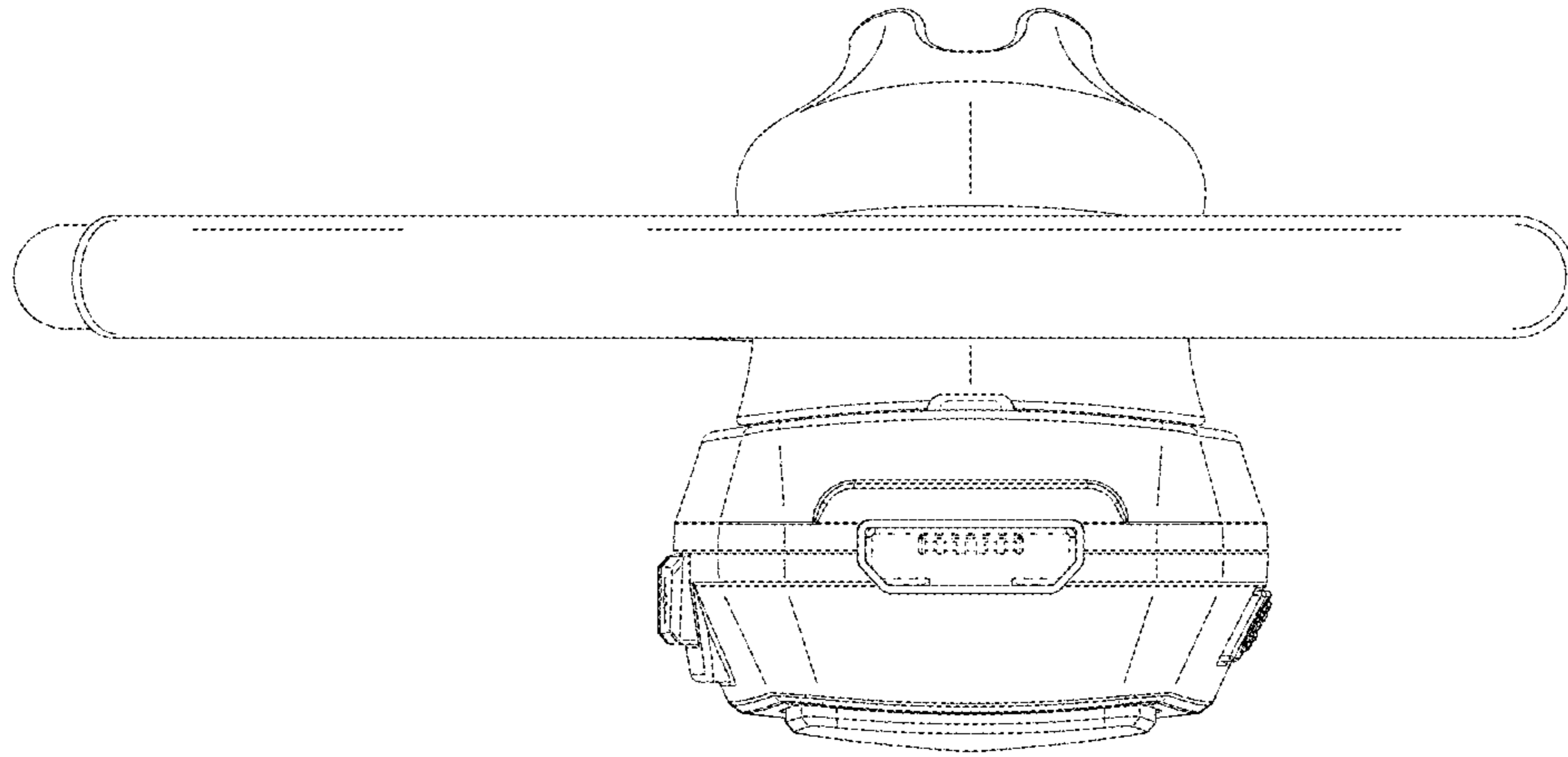


FIG. 6

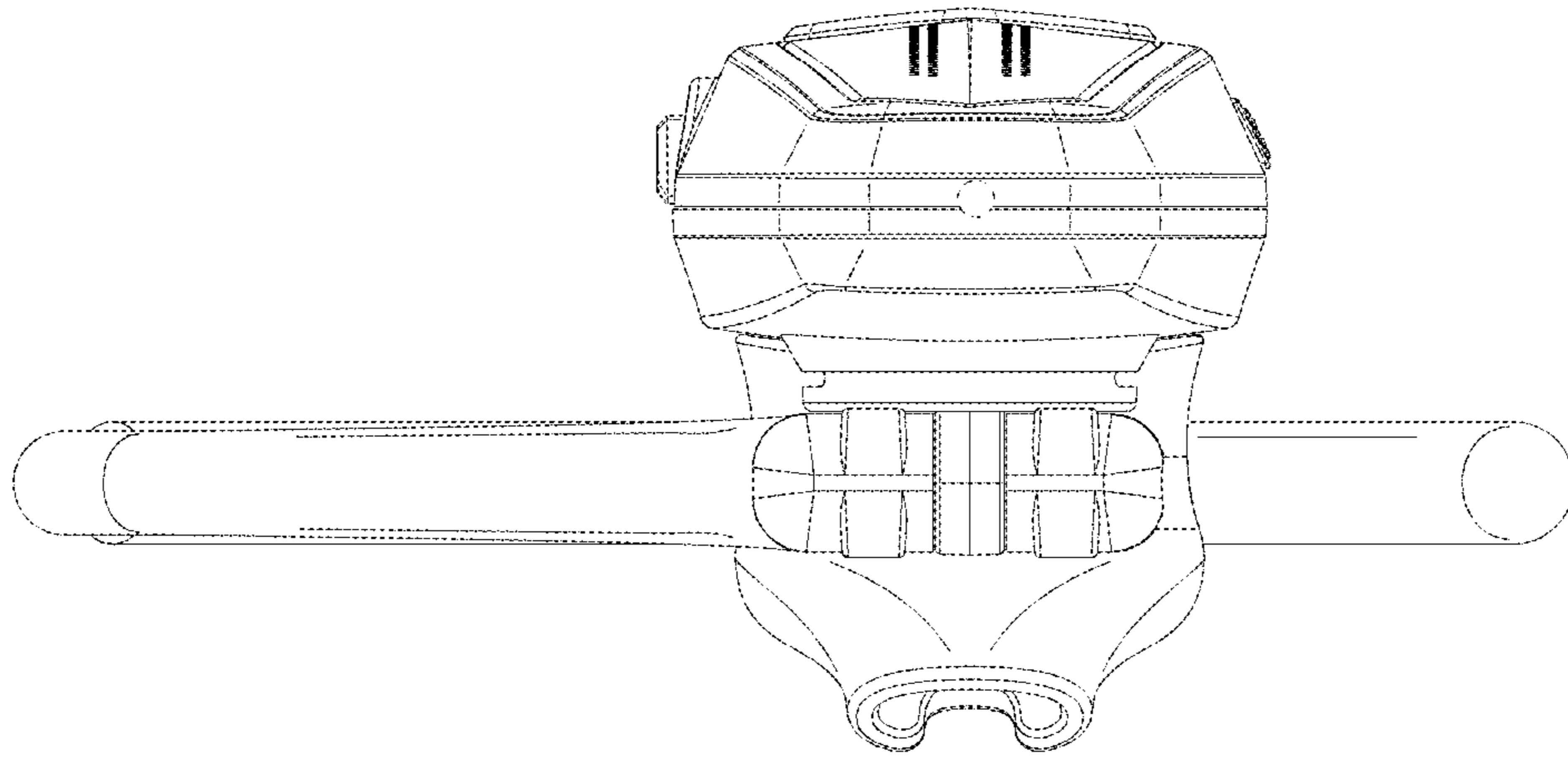


FIG. 7

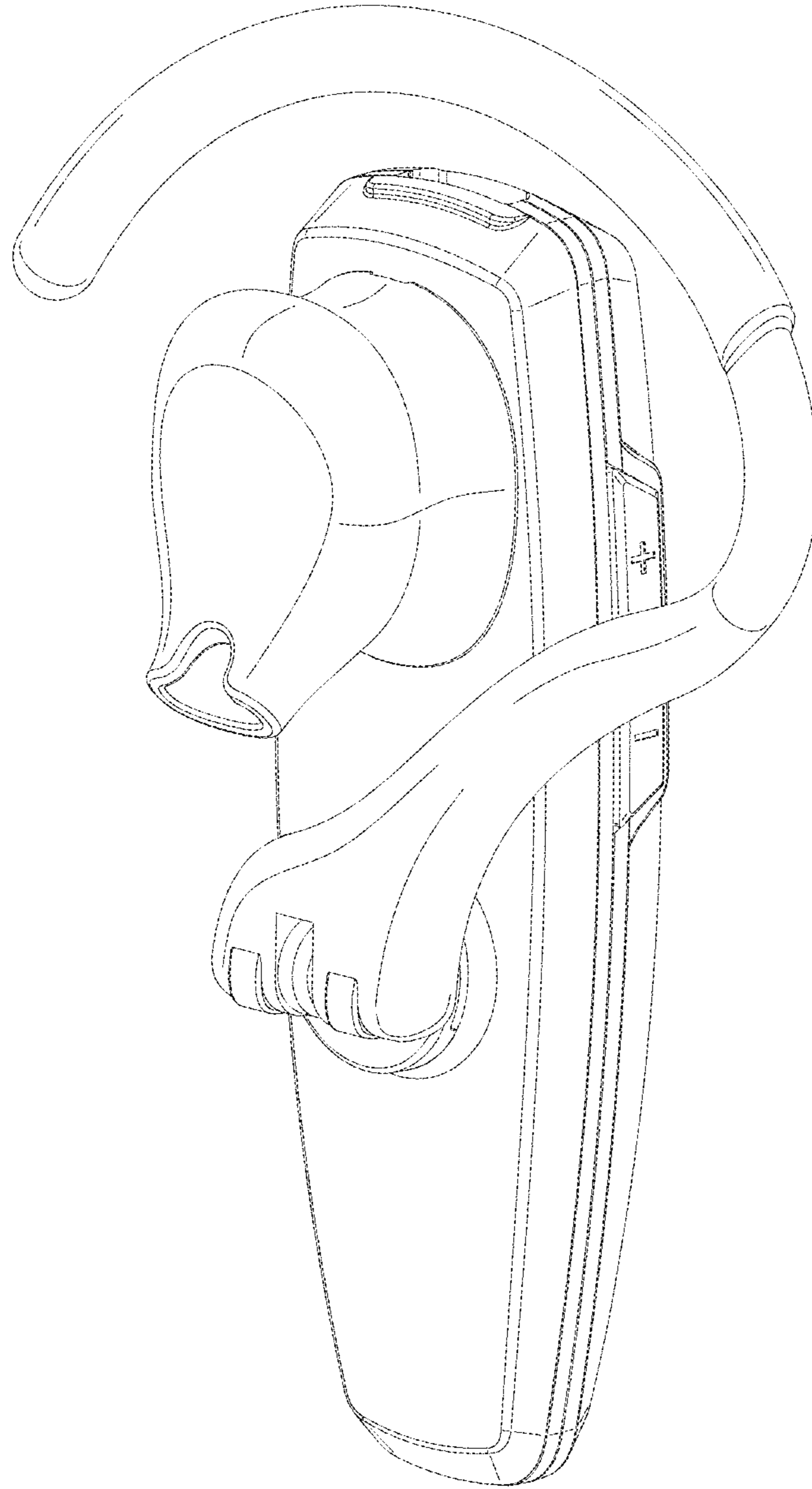


FIG. 8