



US00D983769S

(12) **United States Design Patent**
Chen

(10) **Patent No.:** **US D983,769 S**

(45) **Date of Patent:** **** Apr. 18, 2023**

(54) **WIRELESS SHOWER SPEAKER**

(71) Applicant: **Songhe Chen**, Jieyang (CN)

(72) Inventor: **Songhe Chen**, Jieyang (CN)

(**) Term: **15 Years**

(21) Appl. No.: **29/801,664**

(22) Filed: **Jul. 30, 2021**

(51) **LOC (14) Cl.** **14-01**

(52) **U.S. Cl.**
USPC **D14/216**

(58) **Field of Classification Search**
USPC D14/170–172, 188, 203.1, 203.3, 203.6,
D14/204, 214, 216, 348; D26/51, 104
CPC . H04R 1/02; H04R 1/023; H04R 5/02; H04R
7/00; H04R 7/02; H04R 9/06; H04R
2400/00
See application file for complete search history.

(56) **References Cited**

U.S. PATENT DOCUMENTS

D474,169 S	*	5/2003	Fletcher	D14/243
D554,614 S	*	11/2007	Lin	D14/509
D682,805 S	*	5/2013	Rath	D14/149
D732,006 S	*	6/2015	Zhao	D14/216
D740,258 S	*	10/2015	Yu	D14/216
D742,359 S	*	11/2015	Zhao	D14/216

D760,697 S	*	7/2016	Zhao	D14/216
D768,113 S	*	10/2016	Lee	D14/216
D769,225 S	*	10/2016	Hua	D14/216
D807,327 S	*	1/2018	Xiong	D14/215
D828,331 S	*	9/2018	Li	D14/496
D829,242 S	*	9/2018	Laine	D14/496
D877,712 S	*	3/2020	Durkan	D14/204
D909,333 S	*	2/2021	Wu	D14/204
D944,773 S	*	3/2022	Xu	D14/216
D949,826 S	*	4/2022	Elfassy	D14/215

* cited by examiner

Primary Examiner — Janice Patyk

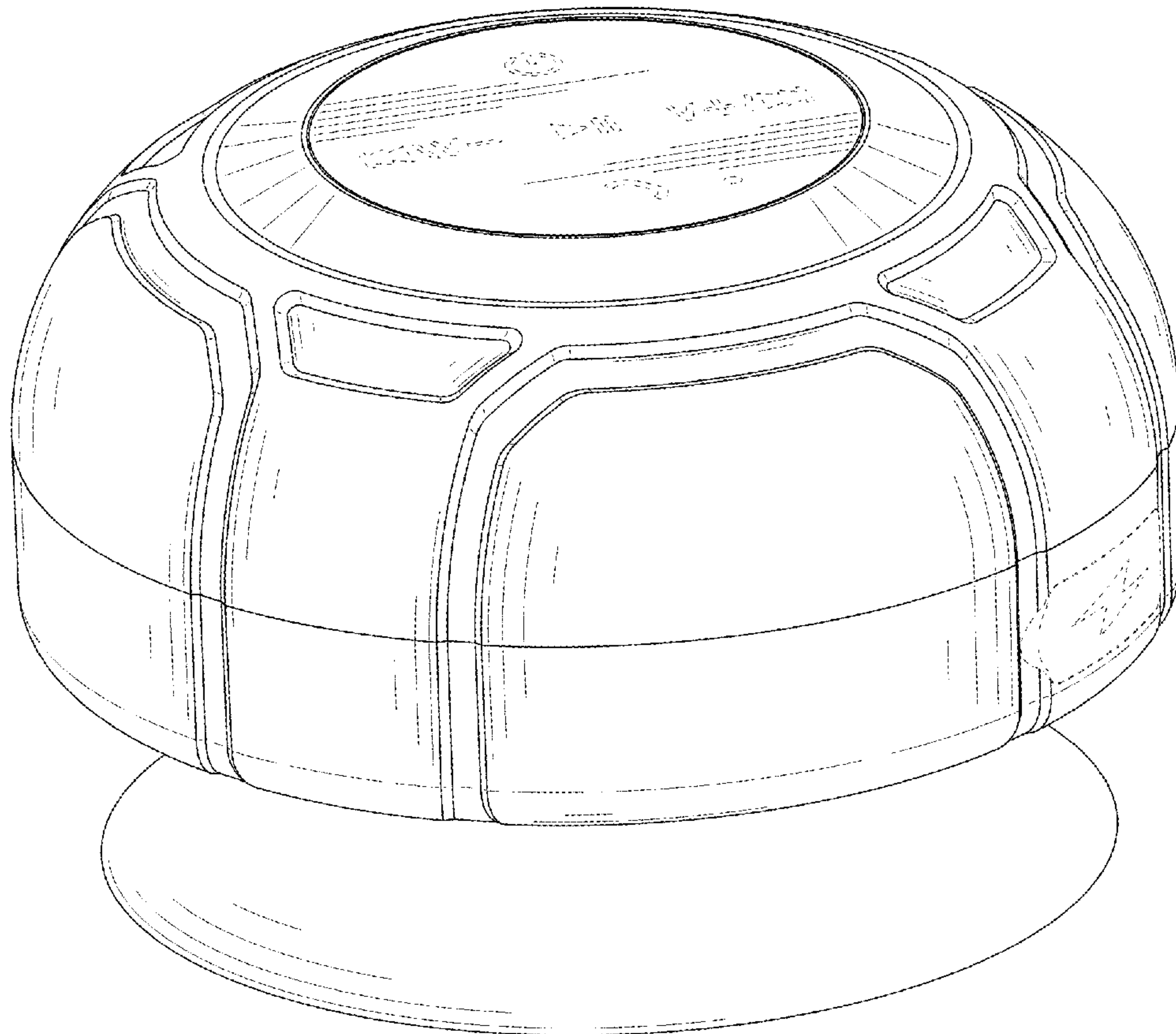
(57) **CLAIM**

The ornamental design for a wireless shower speaker, as shown and described.

DESCRIPTION

FIG. 1 is a perspective view of a wireless shower speaker showing my new design;
FIG. 2 is another perspective view thereof;
FIG. 3 is a front elevational view thereof;
FIG. 4 is a rear elevational view thereof;
FIG. 5 is a left side elevational view thereof;
FIG. 6 is a right side elevational view thereof;
FIG. 7 is a top plan view thereof; and,
FIG. 8 is a bottom plan view thereof.
The broken lines in the drawings depict portions of the wireless shower speaker that form no part of the claimed design.

1 Claim, 8 Drawing Sheets



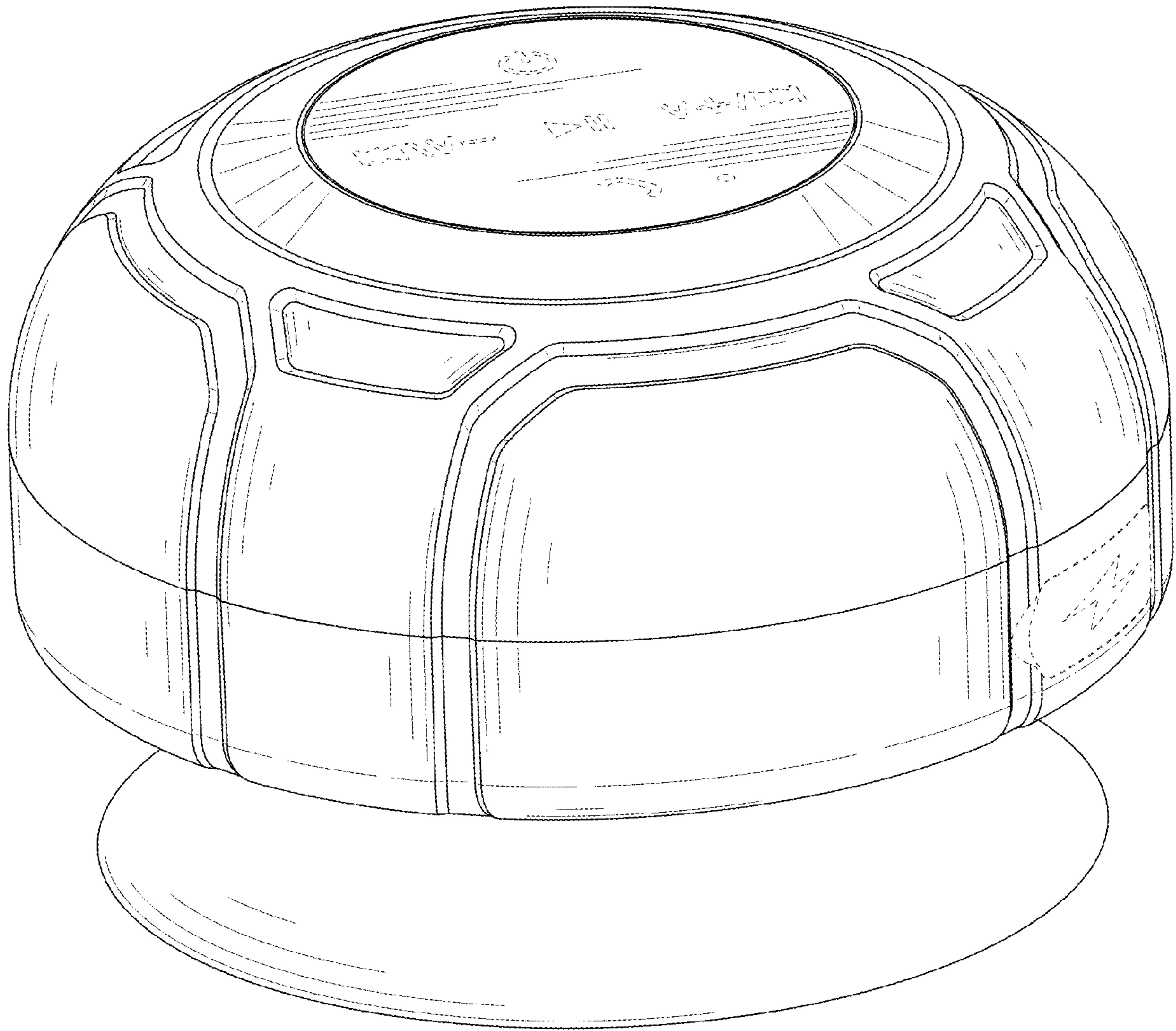


FIG. 1

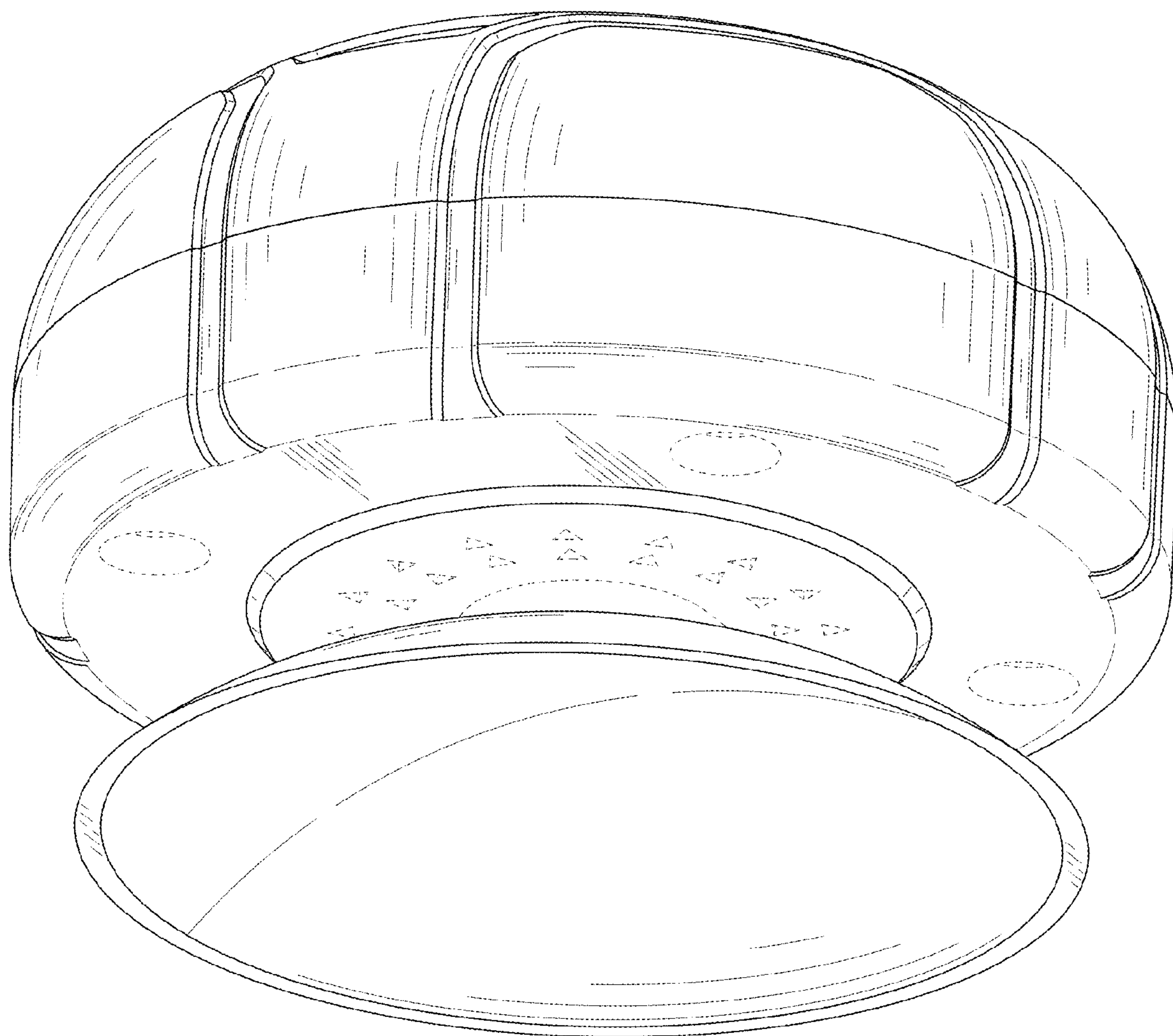


FIG. 2

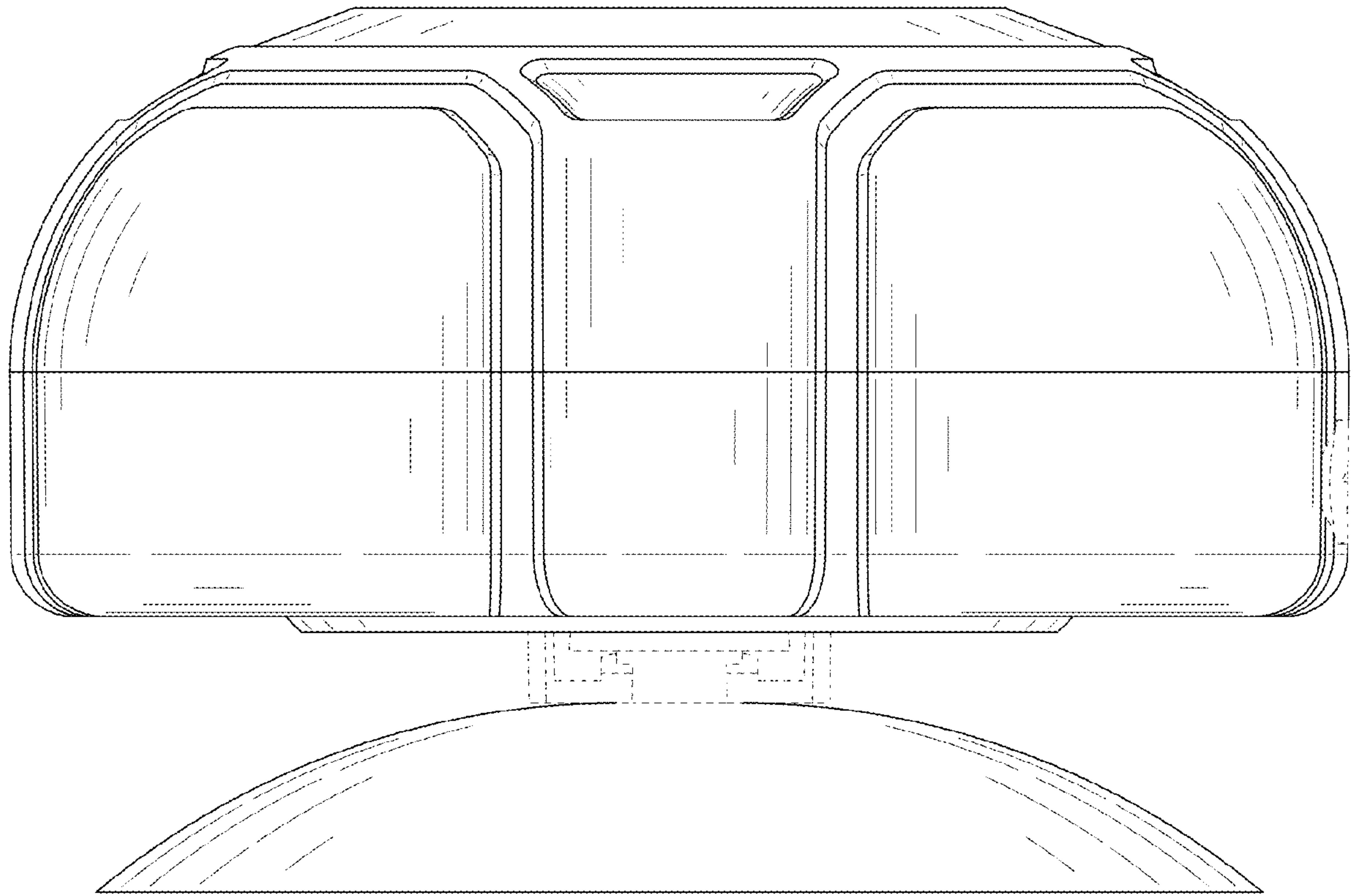


FIG. 3

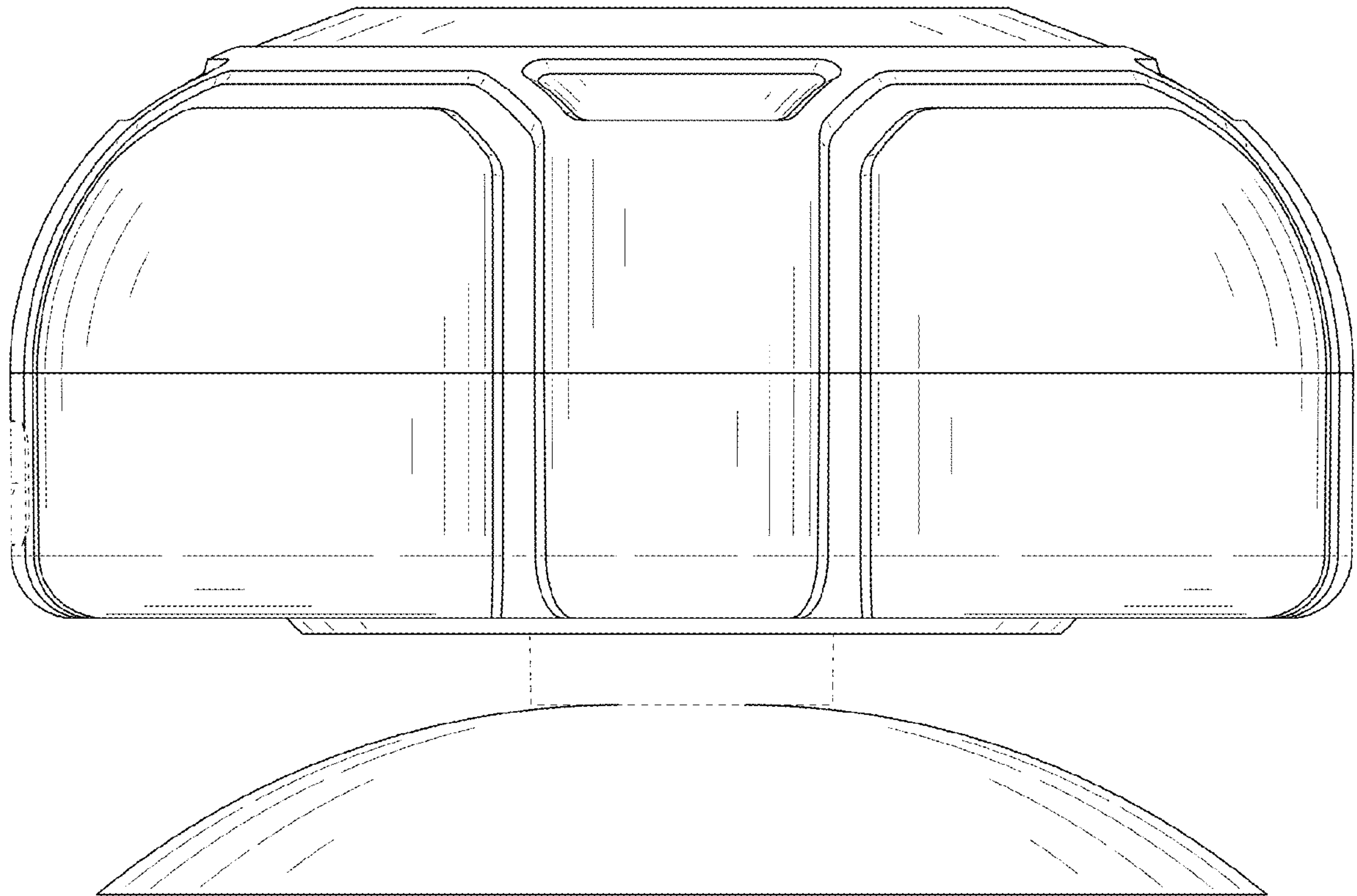


FIG. 4

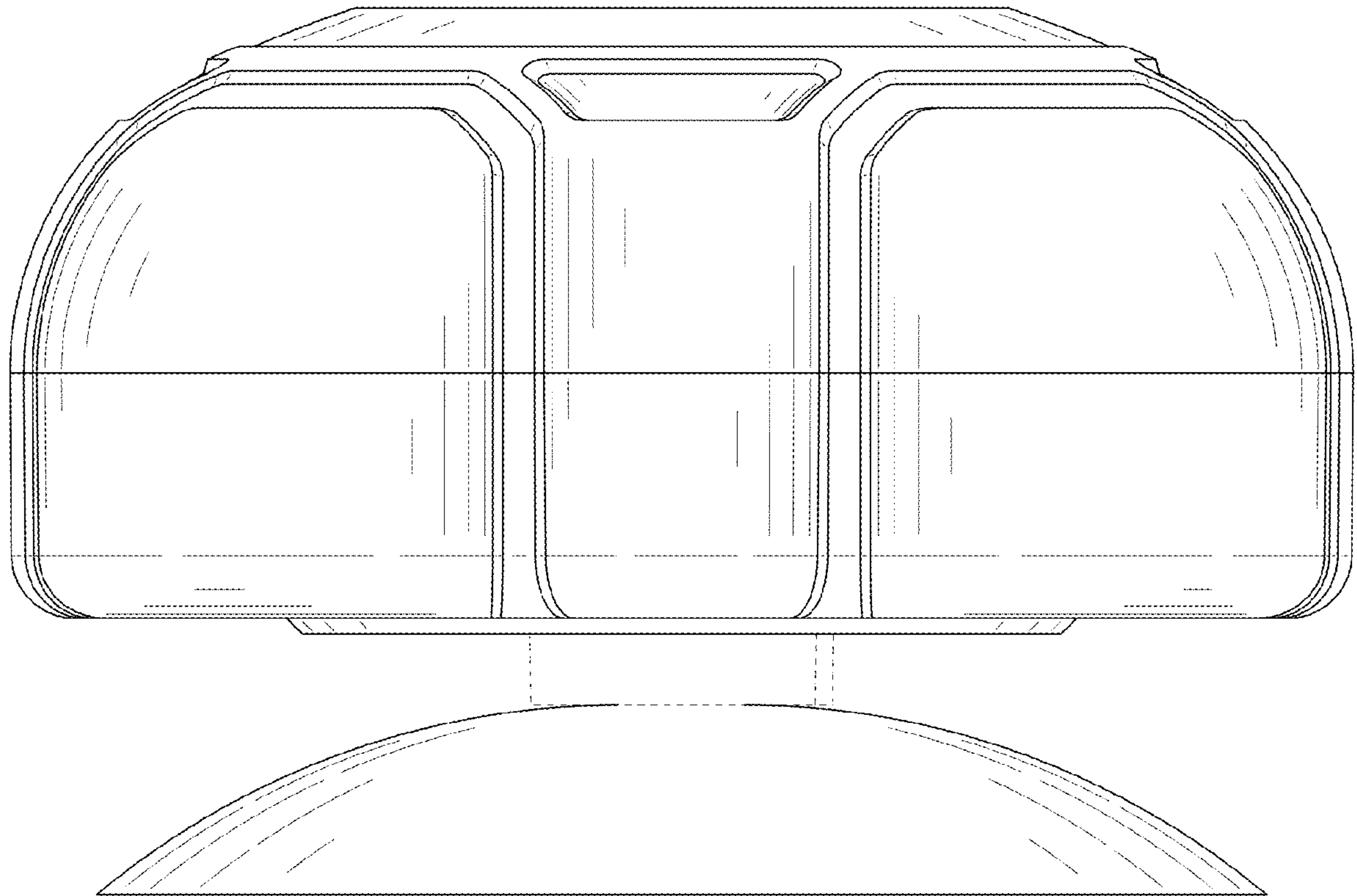


FIG. 5

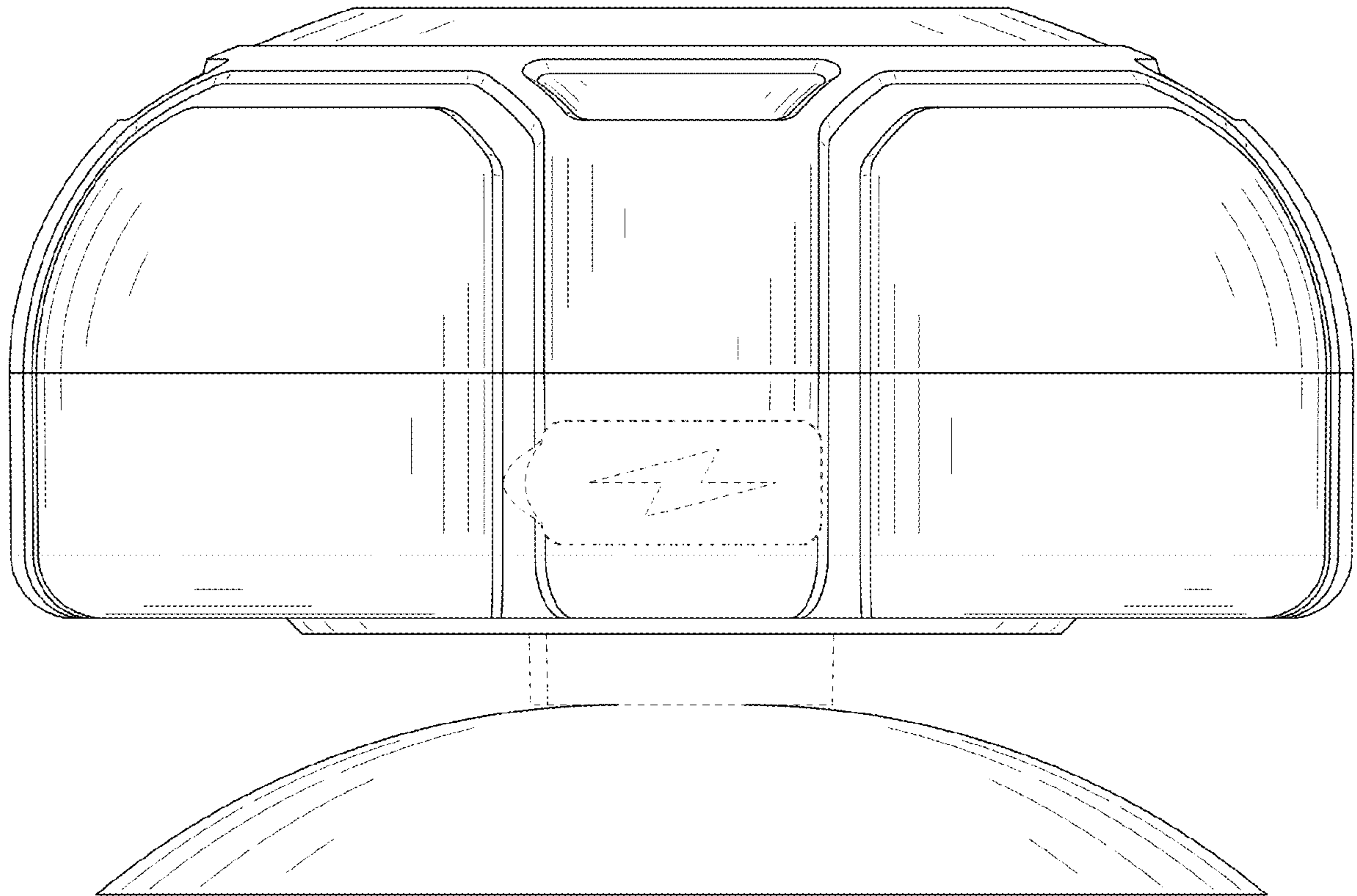


FIG. 6

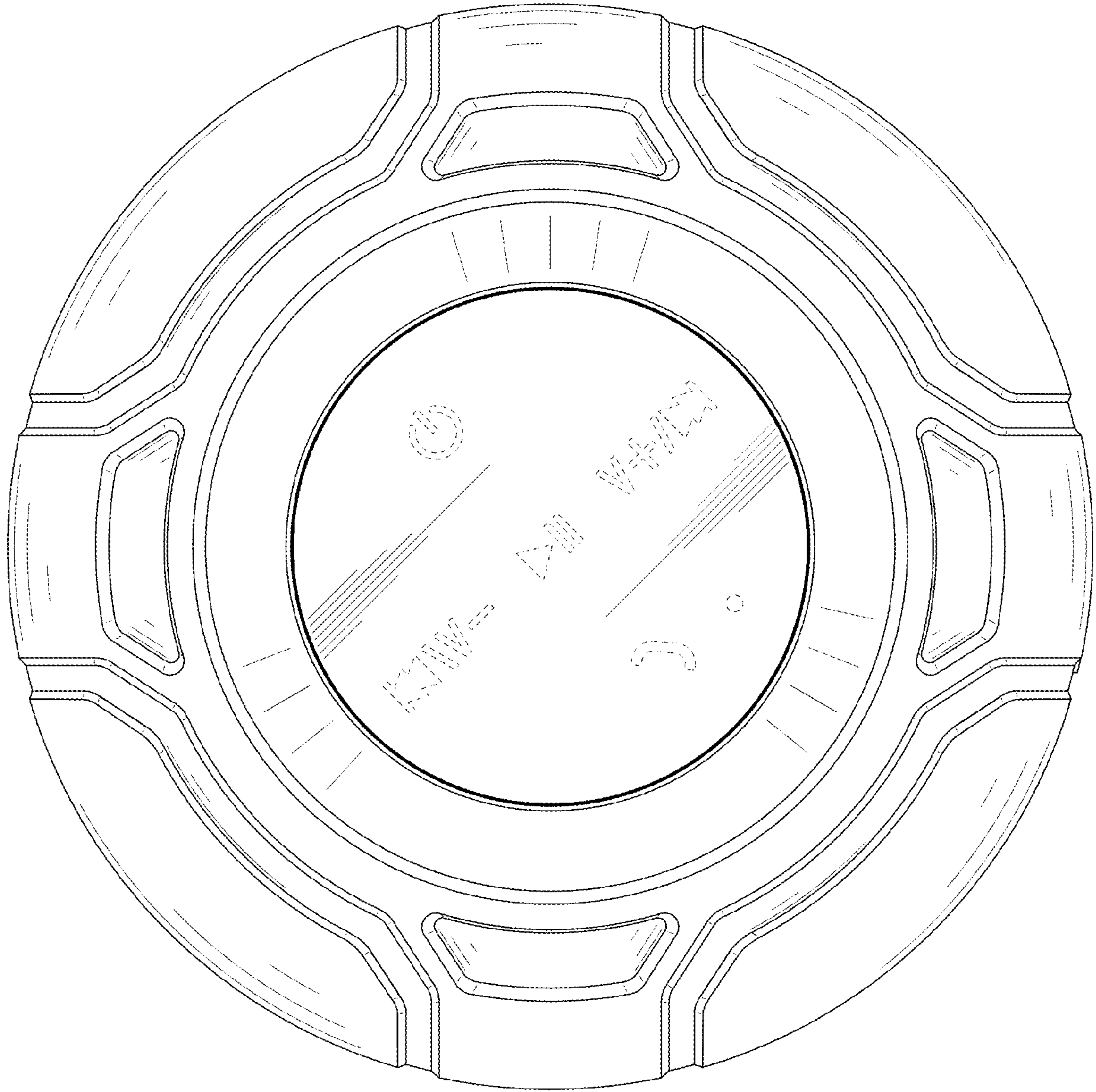


FIG. 7

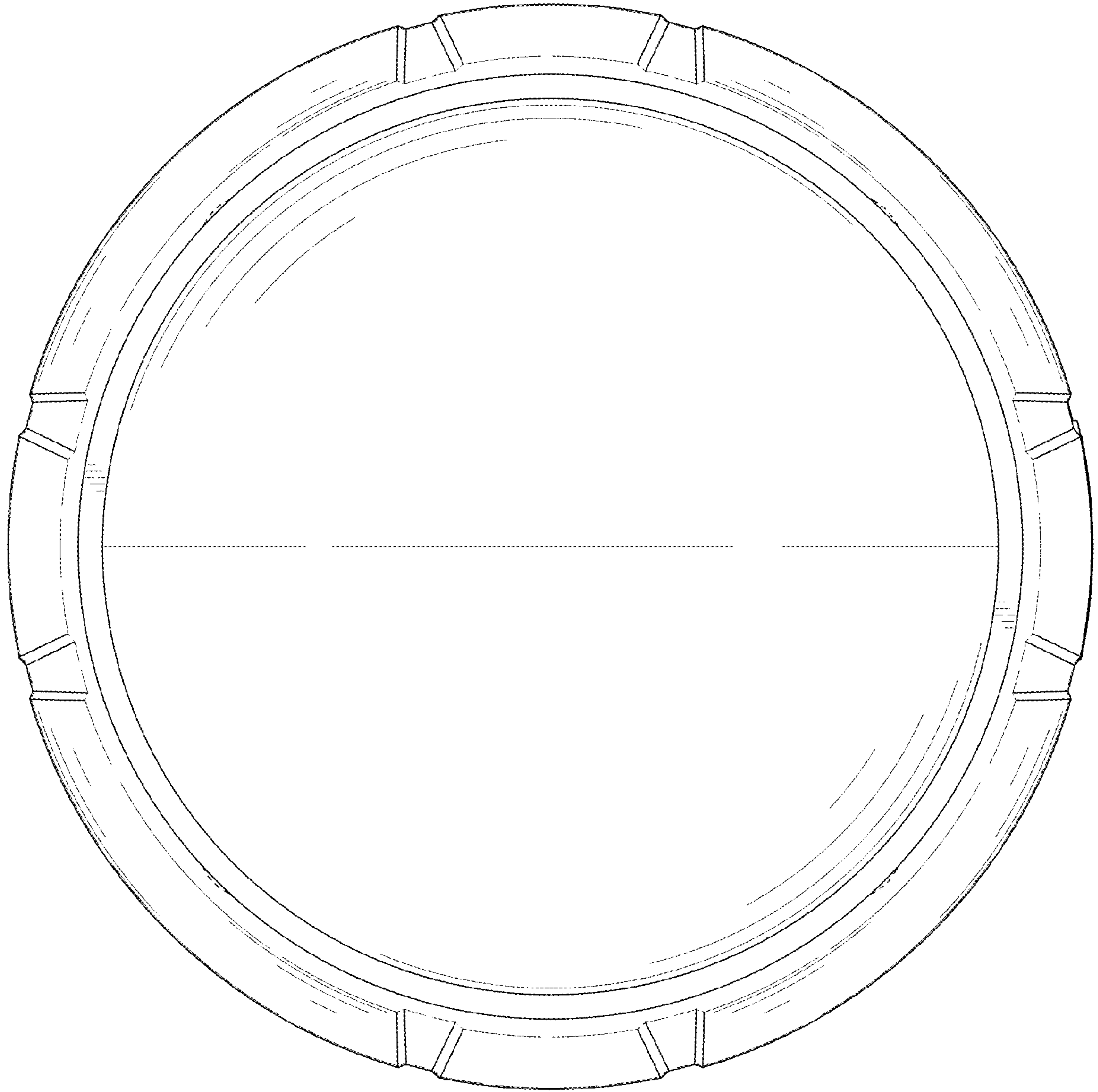


FIG. 8