



US00D983767S

(12) **United States Design Patent**
Akana et al.

(10) **Patent No.:** **US D983,767 S**
(45) **Date of Patent:** **** Apr. 18, 2023**

(54) **HEADPHONES**

(71) Applicant: **Apple Inc.**, Cupertino, CA (US)

(72) Inventors: **Jody Akana**, Los Altos Hills, CA (US); **Molly Anderson**, San Francisco, CA (US); **Bartley K. Andre**, Palo Alto, CA (US); **Shota Aoyagi**, San Francisco, CA (US); **Anthony Michael Ashcroft**, San Francisco, CA (US); **Marine C. Bataille**, San Francisco, CA (US); **Jeremy Bataillou**, San Francisco, CA (US); **Abidur Rahman Chowdhury**, San Francisco, CA (US); **Clara Geneviève Marine Courtaigne**, Palo Alto, CA (US); **Markus Diebel**, San Francisco, CA (US); **Jonathan Gomez Garcia**, San Francisco, CA (US); **M. Evans Hankey**, San Francisco, CA (US); **Richard P. Howarth**, San Francisco, CA (US); **Jonathan P. Ive**, San Francisco, CA (US); **Julian Jaede**, San Francisco, CA (US); **Duncan Robert Kerr**, San Francisco, CA (US); **Peter Russell-Clarke**, San Francisco, CA (US); **Benjamin Andrew Shaffer**, San Jose, CA (US); **Joe Sung-Ho Tan**, Vienna (AT); **Clement Tissandier**, San Francisco, CA (US); **Eugene Antony Whang**, San Francisco, CA (US)

(73) Assignee: **Apple Inc.**, Cupertino, CA (US)

(**) Term: **15 Years**

(21) Appl. No.: **29/840,176**

(22) Filed: **May 26, 2022**

Related U.S. Application Data

(63) Continuation of application No. 29/739,077, filed on Jun. 22, 2020, now Pat. No. Des. 953,289.

(51) **LOC (14) Cl.** **14-01**

(52) **U.S. Cl.**

USPC **D14/205**

(58) **Field of Classification Search**

USPC D14/205, 206, 188, 192, 249, 240;
D29/112; 2/209; 381/380-381, 370, 374
(Continued)

(56) **References Cited**

U.S. PATENT DOCUMENTS

2,394,374 A * 2/1946 Gilman H04R 1/1066
381/189
D254,616 S * 4/1980 Tabata D14/205
(Continued)

FOREIGN PATENT DOCUMENTS

CA 198769 * 3/2022
EM 008943435-0003 * 4/2022
(Continued)

Primary Examiner — Paula Allen Greene

(74) *Attorney, Agent, or Firm* — Sterne, Kessler, Goldstein & Fox P.L.L.C.

(57) **CLAIM**

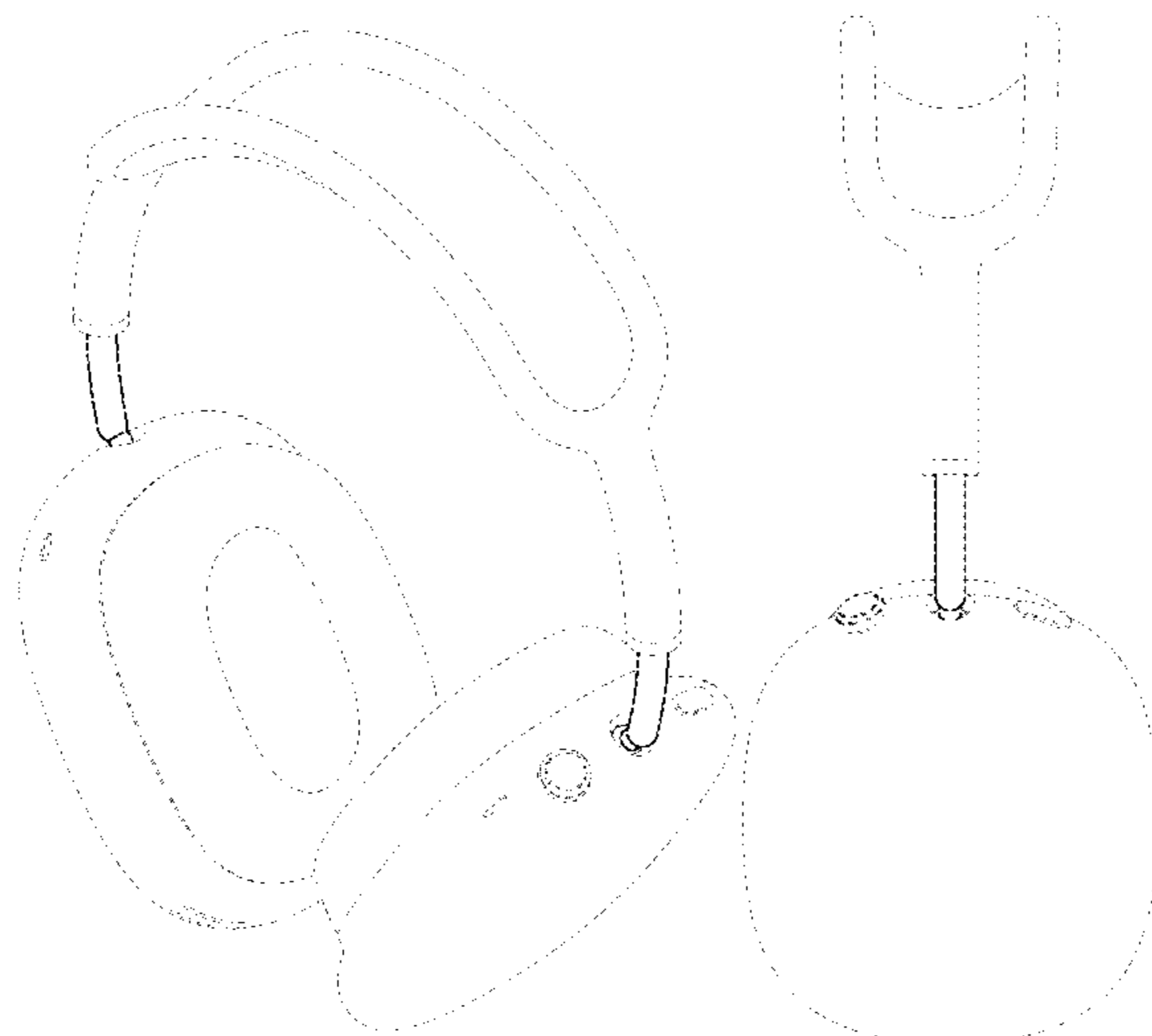
The ornamental design for headphones, as shown and described.

DESCRIPTION

FIG. 1 is a top front perspective view of headphones showing the claimed design;
FIG. 2 is a bottom rear perspective view thereof;
FIG. 3 is a front view thereof;
FIG. 4 is a rear view thereof;
FIG. 5 is a left side view thereof;
FIG. 6 is a right side view thereof;
FIG. 7 is a top view thereof; and,
FIG. 8 is a bottom view thereof.

The broken lines in the figures show portions of the headphones that form no part of the claimed design.

1 Claim, 7 Drawing Sheets



- (58) **Field of Classification Search**
 CPC H04R 25/00; H04R 25/02; H04R 1/1066;
 H04R 1/1016; H04R 5/033; H04R
 5/0335; H04R 1/105; H04R 1/1008;
 H04R 1/10; H04R 1/1091
 See application file for complete search history.

(56) **References Cited**

U.S. PATENT DOCUMENTS

4,347,631 A * 9/1982 Newcomb A42B 3/166
 381/189
 4,499,593 A * 2/1985 Antle H04R 1/1066
 381/378
 4,572,323 A * 2/1986 Randall A61F 11/14
 381/372
 4,639,950 A * 2/1987 Palmaer A42B 3/166
 292/342
 D353,818 S * 12/1994 Nakamura D14/205
 D358,391 S * 5/1995 Isono D14/205
 D373,360 S * 9/1996 Kanno D14/205
 D375,312 S * 11/1996 Kanno D14/205
 D376,598 S * 12/1996 Hayashi D14/206
 D443,872 S * 6/2001 Mori D14/223
 D452,492 S * 12/2001 Mori D14/223
 D457,512 S * 5/2002 Yoneda H04R 5/0335
 D14/205
 D459,337 S * 6/2002 Mori D14/192
 D467,580 S * 12/2002 Mori D14/223
 D502,695 S * 3/2005 Suzuki D14/205
 D508,483 S * 8/2005 Suzuki D14/223
 D517,527 S * 3/2006 Suzuki D14/205
 D519,110 S * 4/2006 Komiyama D14/223
 D519,497 S * 4/2006 Komiyama D14/223
 D520,492 S * 5/2006 Chen D14/205
 D552,077 S * 10/2007 Brunner D14/205
 D567,215 S * 4/2008 Lee D14/205
 D601,124 S * 9/2009 Uchimura D14/205
 D632,668 S * 2/2011 Brunner D14/205
 D633,896 S * 3/2011 Kondo D14/205
 D637,176 S * 5/2011 Brunner D14/205
 D657,344 S * 4/2012 Brunner D14/205
 D657,345 S * 4/2012 Brunner H04R 1/1008
 D14/205

D674,767 S * 1/2013 Brunner D14/205
 D716,760 S * 11/2014 Brunner D14/206
 D775,605 S * 1/2017 Lee D14/205
 D778,258 S * 2/2017 Hsu D14/205
 D780,156 S * 2/2017 Petersen D14/205
 D791,734 S * 7/2017 Ou D14/206
 D796,474 S * 9/2017 Treski D14/205
 D814,439 S * 4/2018 Birath D14/205
 D826,210 S * 8/2018 Chong D14/205
 D830,993 S * 10/2018 Petersen D14/205
 D842,270 S * 3/2019 Chen D14/205
 D843,345 S * 3/2019 Brunner D14/205
 D848,973 S * 5/2019 Karacal D14/205
 D851,062 S * 6/2019 Saule D14/205
 D851,622 S * 6/2019 Billaudet D14/205
 10,362,380 B2 * 7/2019 Ito H04R 1/22
 D857,655 S * 8/2019 Saule D14/205
 D860,163 S * 9/2019 Xia D14/205
 D867,327 S * 11/2019 Brunner H04R 1/1008
 D14/205
 D871,368 S * 12/2019 Saule D14/205
 D872,049 S * 1/2020 Saule D14/205
 D873,237 S * 1/2020 Ozawa D14/205
 D876,388 S * 2/2020 Carr D14/205
 D878,329 S * 3/2020 Levine D14/205
 D881,840 S * 4/2020 Chen D14/205
 D889,432 S * 7/2020 Brunner D14/205
 10,721,550 B2 * 7/2020 Bunney G06F 3/165
 D900,783 S * 11/2020 Levine D14/205
 D916,680 S * 4/2021 Akana D14/205
 D926,725 S * 8/2021 Akana D14/205
 D937,806 S * 12/2021 Akana D14/205
 D953,289 S * 5/2022 Akana D14/205
 D959,406 S * 8/2022 Akana D14/205
 D967,796 S * 10/2022 Akana D14/205
 2022/0014837 A1 * 1/2022 Kikuchi H04R 1/1066

FOREIGN PATENT DOCUMENTS

EM 009071194-0001 * 6/2022
 GB 6103600 * 10/2020
 GB 6103621 * 10/2020
 TW 214800-0001 * 4/2020

* cited by examiner

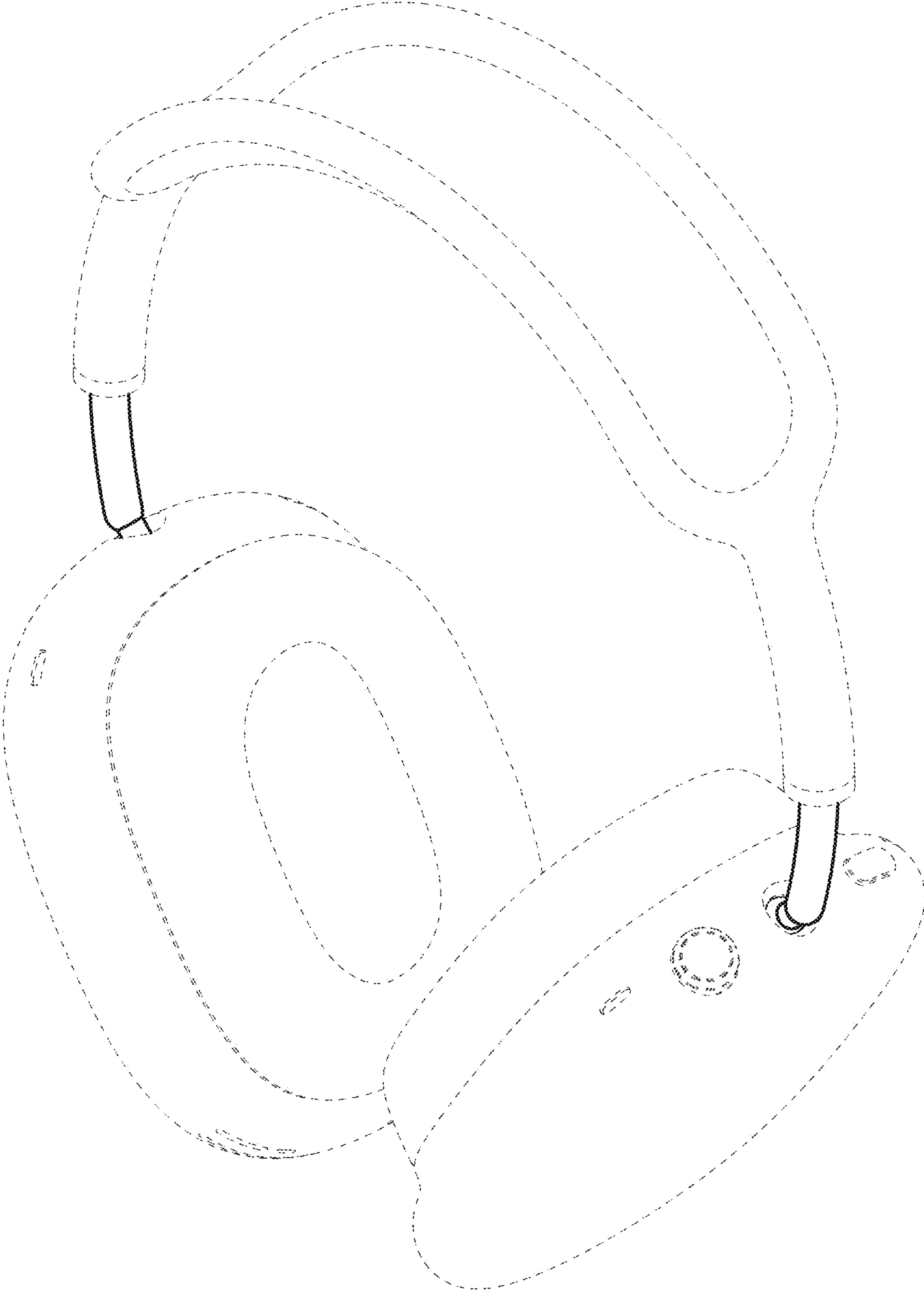


FIG. 1

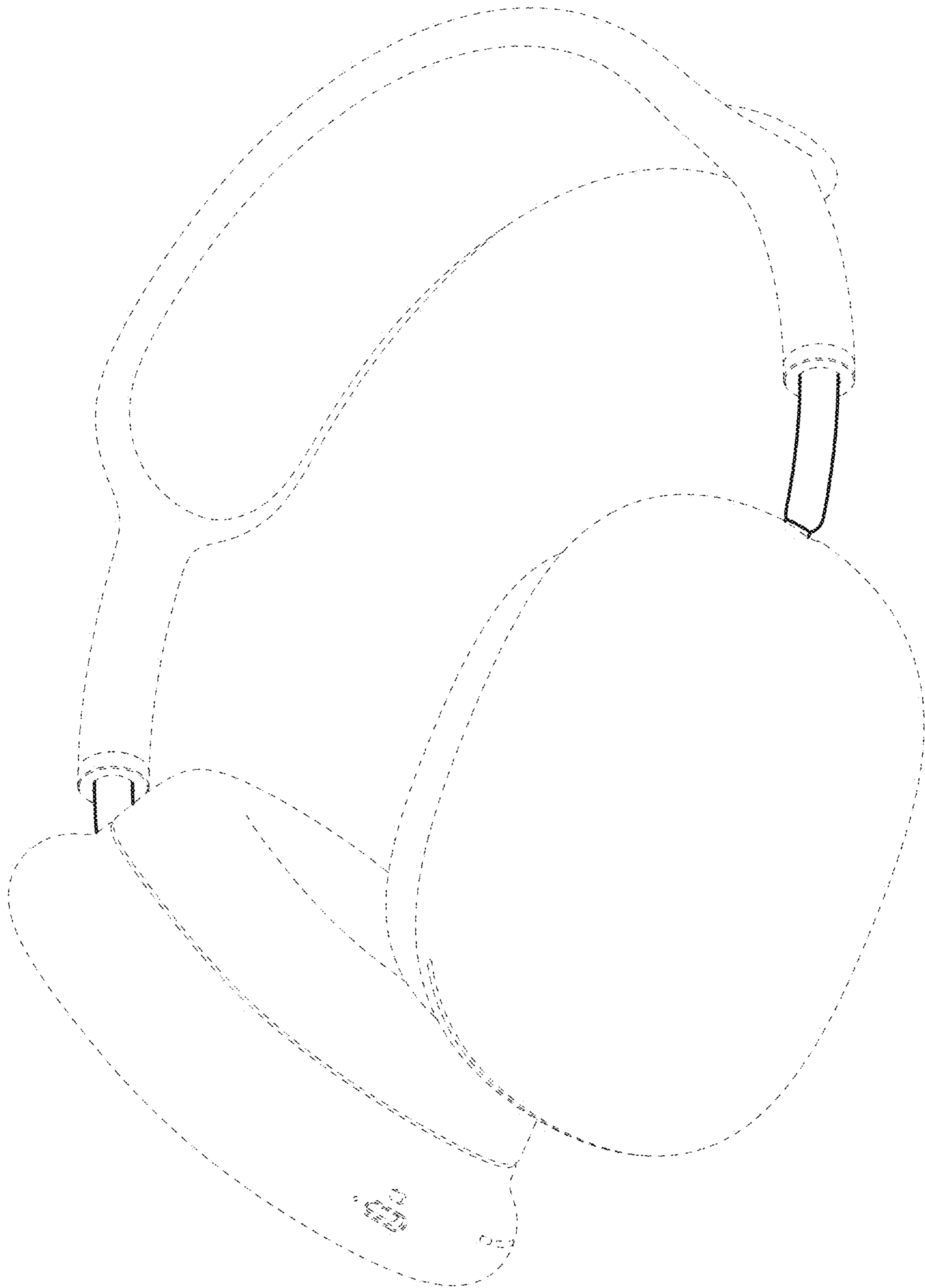


FIG. 2

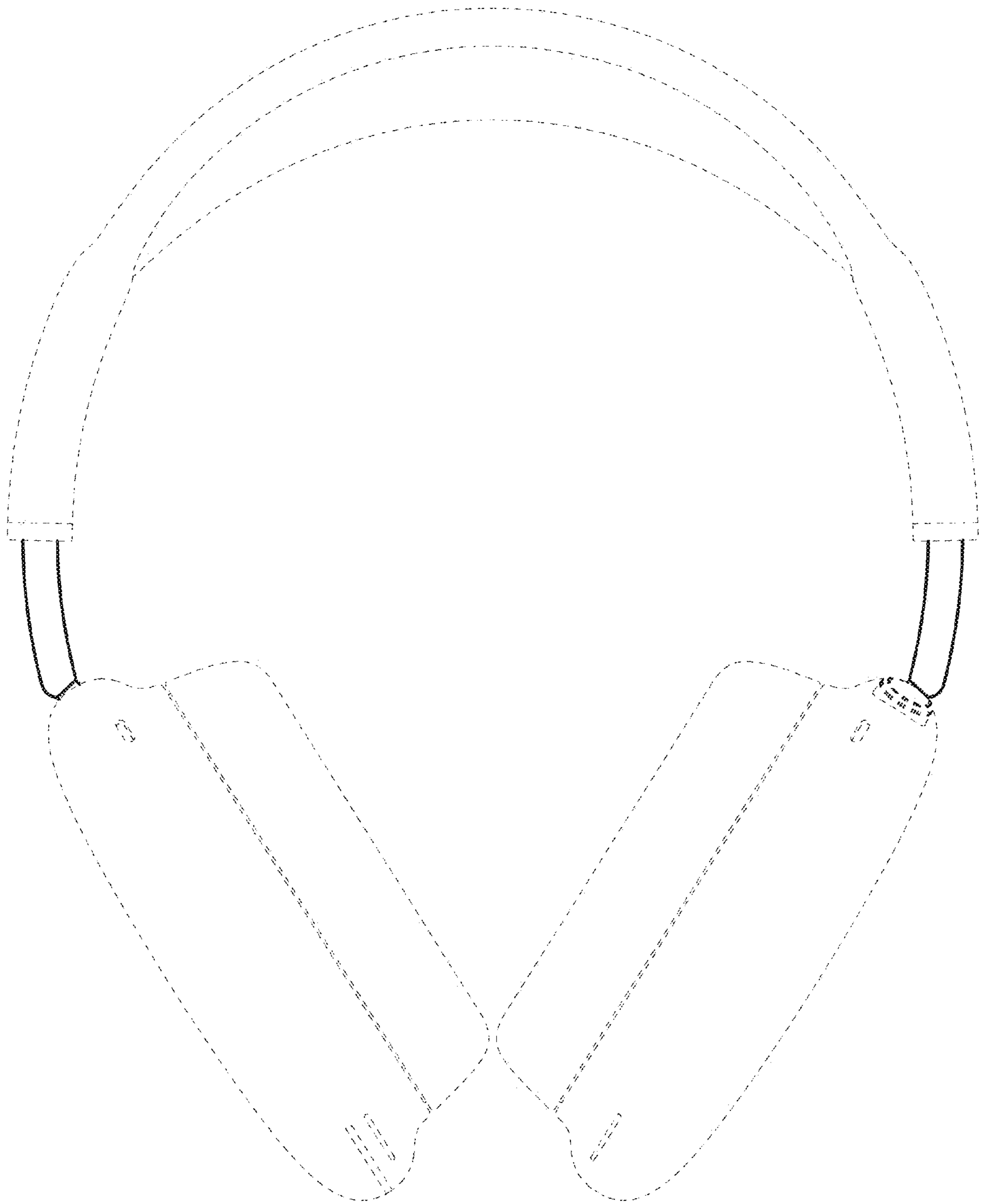


FIG. 3

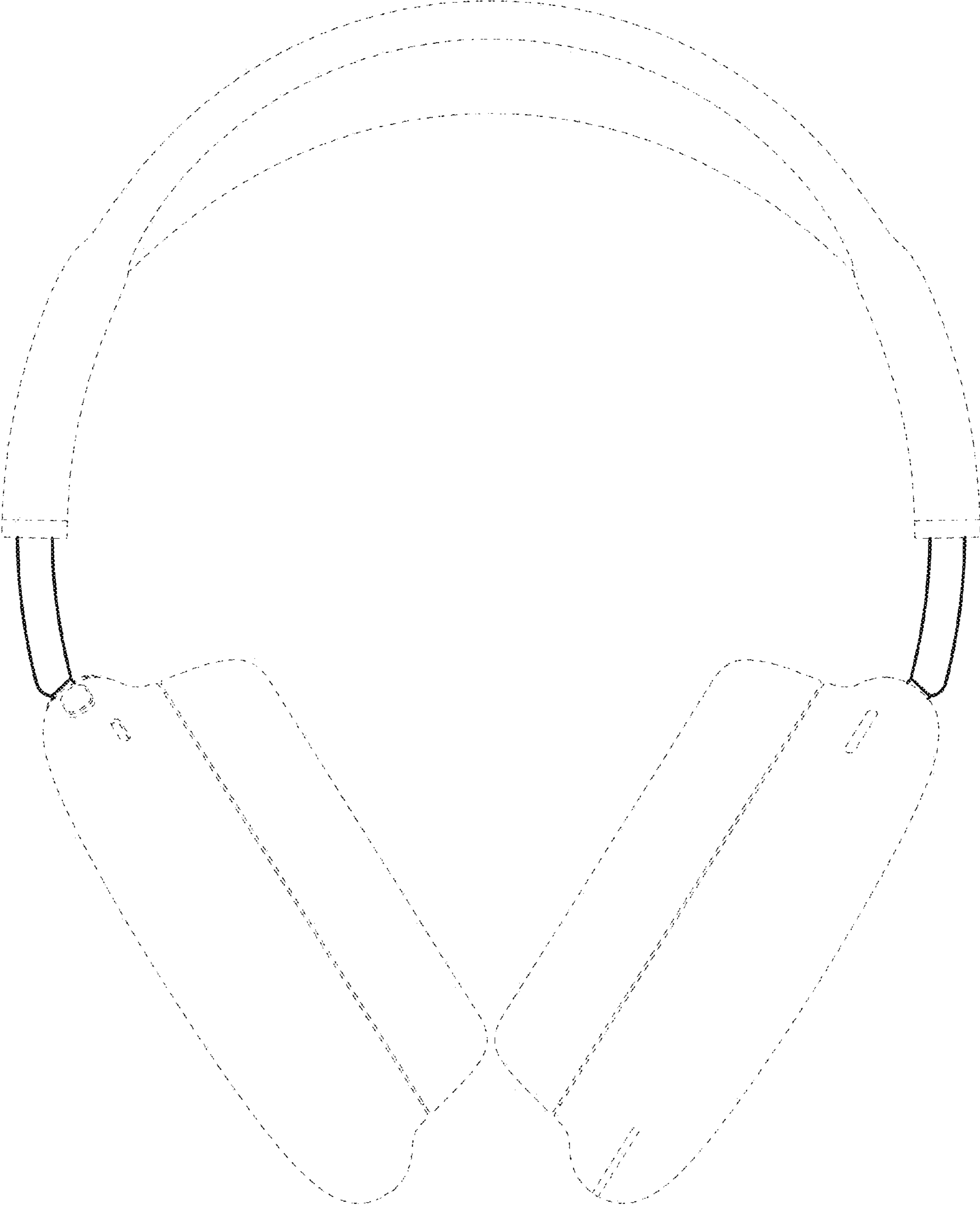


FIG. 4

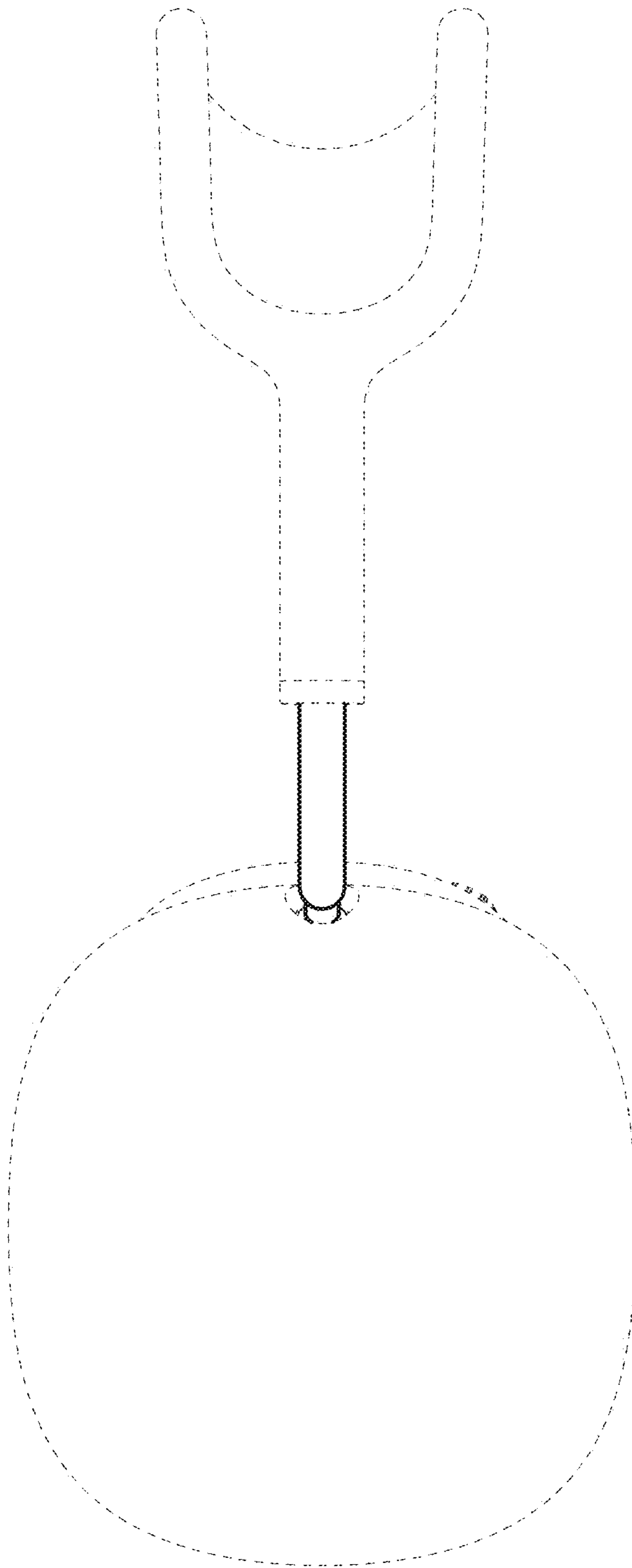


FIG. 5

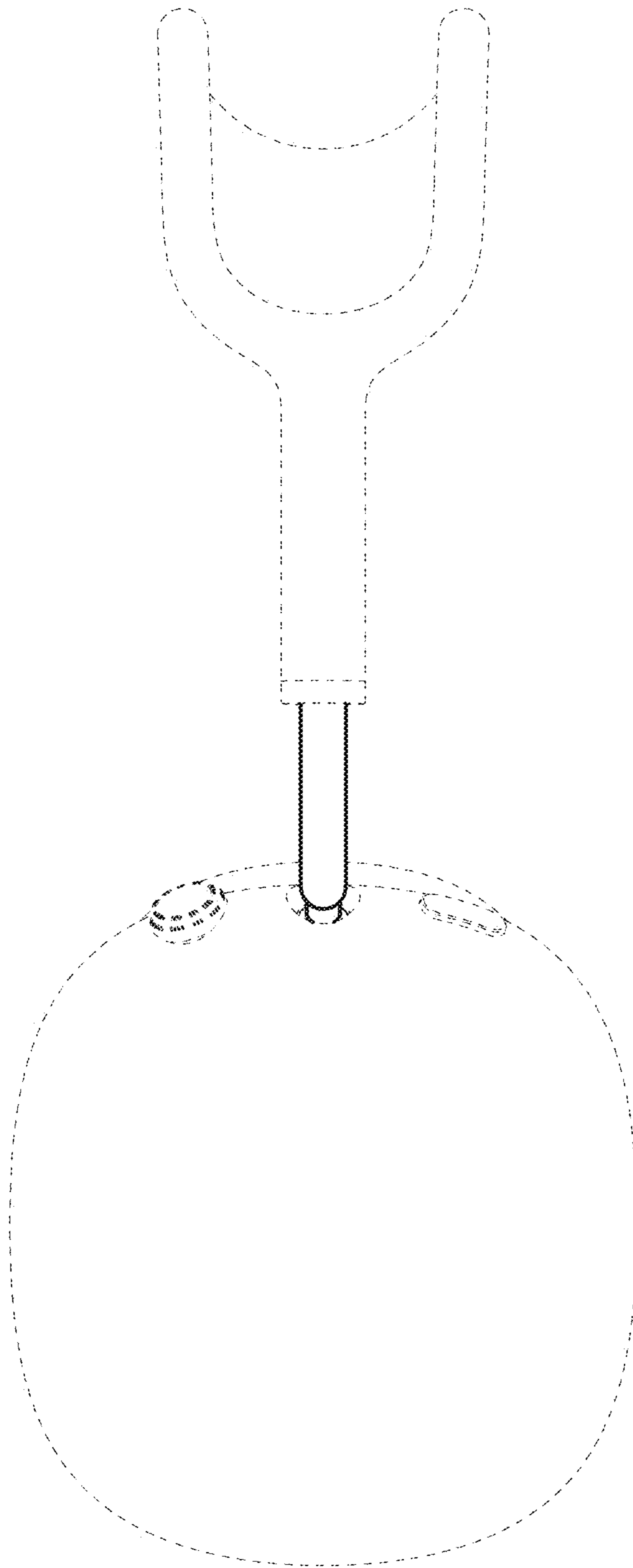


FIG. 6

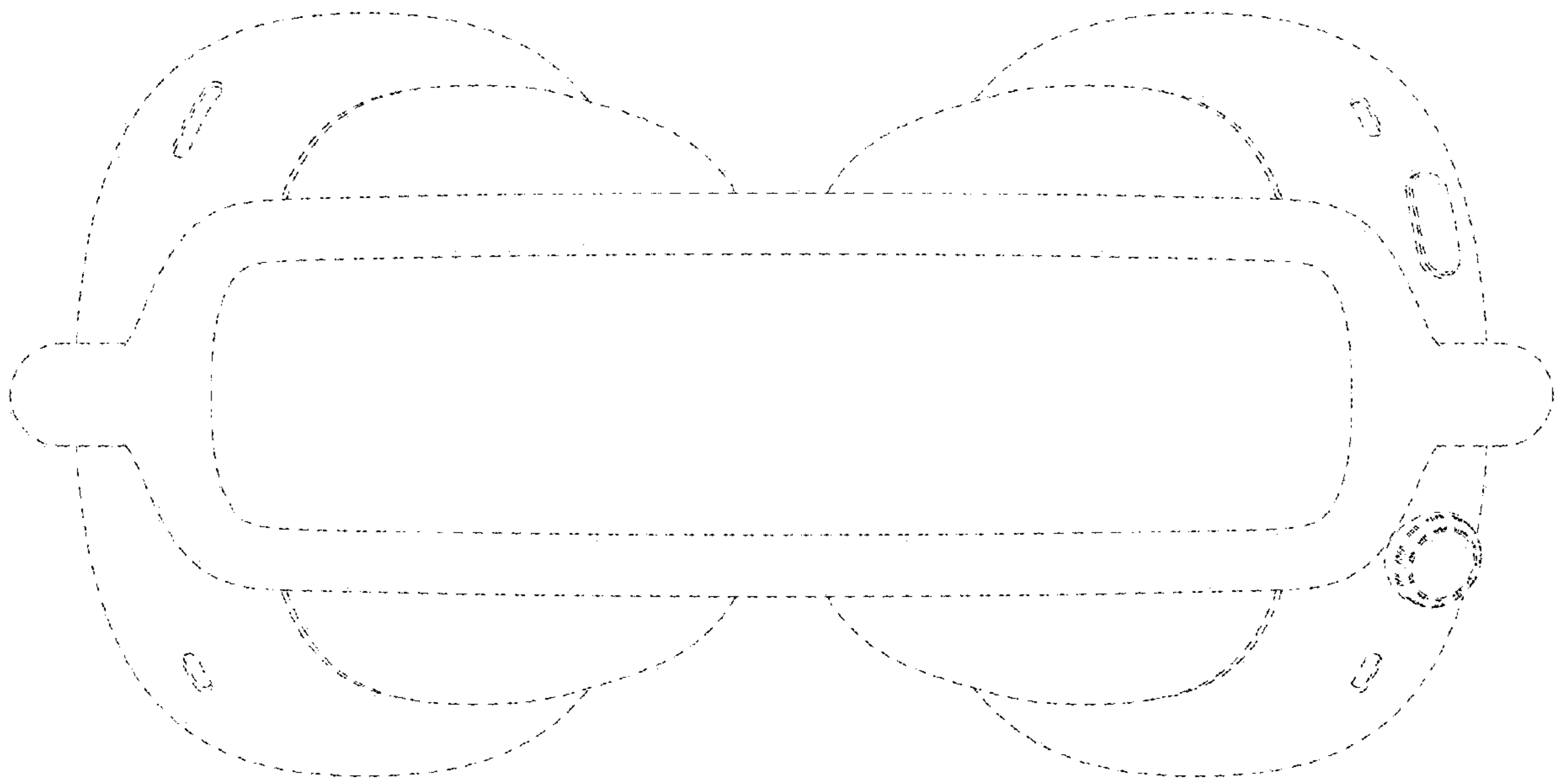


FIG. 7

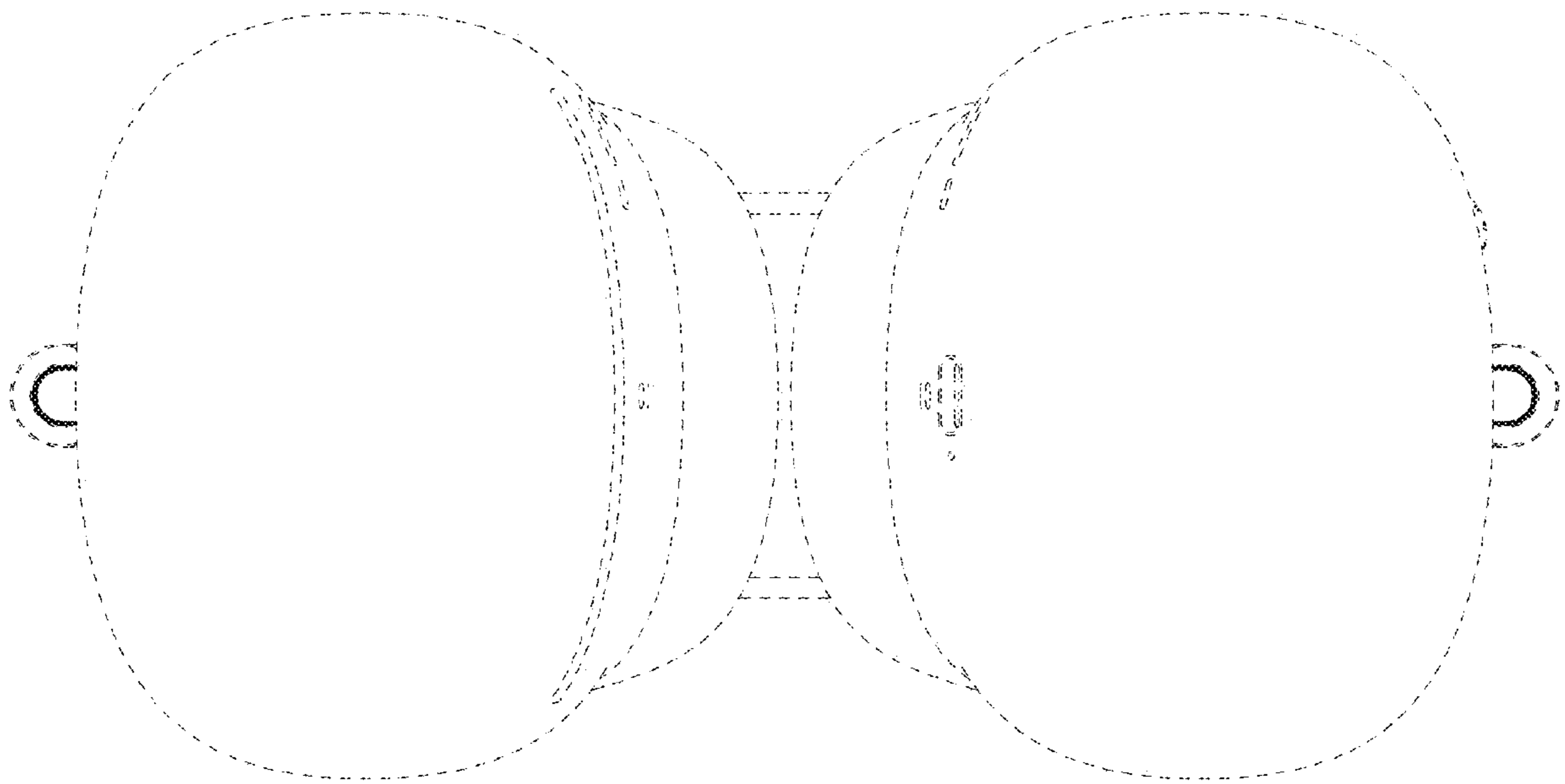


FIG. 8