



US00D983764S

(12) **United States Design Patent**  
**Hong**

(10) **Patent No.:** **US D983,764 S**

(45) **Date of Patent:** **\*\* Apr. 18, 2023**

(54) **WALKIE TALKIE**

(71) Applicant: **Shaohua Hong**, Fujian (CN)

(72) Inventor: **Shaohua Hong**, Fujian (CN)

(\*\*) Term: **15 Years**

(21) Appl. No.: **29/807,273**

(22) Filed: **Sep. 10, 2021**

(30) **Foreign Application Priority Data**

Jun. 15, 2021 (CN) ..... 202130368331.1

(51) **LOC (14) Cl.** ..... **14-03**

(52) **U.S. Cl.**  
USPC ..... **D14/137; D14/206**

(58) **Field of Classification Search**  
USPC ..... D14/137, 138 R, 138 AA, 138 AD, 205,  
D14/206; D10/104.1  
CPC .. H04B 1/3833; H04B 1/3827; H04B 1/3855;  
H04B 2001/3861; H04M 1/0202; H04M  
1/03; H04M 1/035  
See application file for complete search history.

(56) **References Cited**

**U.S. PATENT DOCUMENTS**

D497,613 S	*	10/2004	Gwee	.....	D14/223
D504,884 S	*	5/2005	Hering	.....	D14/206
D508,485 S	*	8/2005	Katsumata	.....	D14/223
D528,529 S	*	9/2006	Rose	.....	D14/206
D528,531 S	*	9/2006	Rose	.....	D14/206
D529,467 S	*	10/2006	Rose	.....	D14/248
D529,468 S	*	10/2006	Rose	.....	D14/248
D529,469 S	*	10/2006	Rose	.....	D14/248
D530,298 S	*	10/2006	Rose	.....	D14/248
D562,310 S	*	2/2008	Moon	.....	D14/223

D657,347 S	*	4/2012	Chung	.....	D14/206
D681,002 S	*	4/2013	Ham	.....	D14/205
D681,003 S	*	4/2013	Ham	.....	D14/206
D700,159 S	*	2/2014	Fisher	.....	D14/138 R
D700,160 S	*	2/2014	Fisher	.....	D14/138 R
D700,587 S	*	3/2014	Fisher	.....	D14/138 R
D700,588 S	*	3/2014	Fisher	.....	D14/138 R
D702,202 S	*	4/2014	Fisher	.....	D14/138 R
D704,158 S	*	5/2014	Fisher	.....	D14/138 R
D784,291 S	*	4/2017	Paterson	.....	D14/206
D800,692 S	*	10/2017	Tan	.....	D14/206
D812,040 S	*	3/2018	Yan	.....	D14/206
D816,051 S	*	4/2018	Robbins	.....	D14/137
D830,338 S	*	10/2018	Yan	.....	D14/206
D836,599 S	*	12/2018	Duan	.....	D14/206
D870,697 S	*	12/2019	Guo	.....	D14/206

\* cited by examiner

*Primary Examiner* — Bridget L Eland

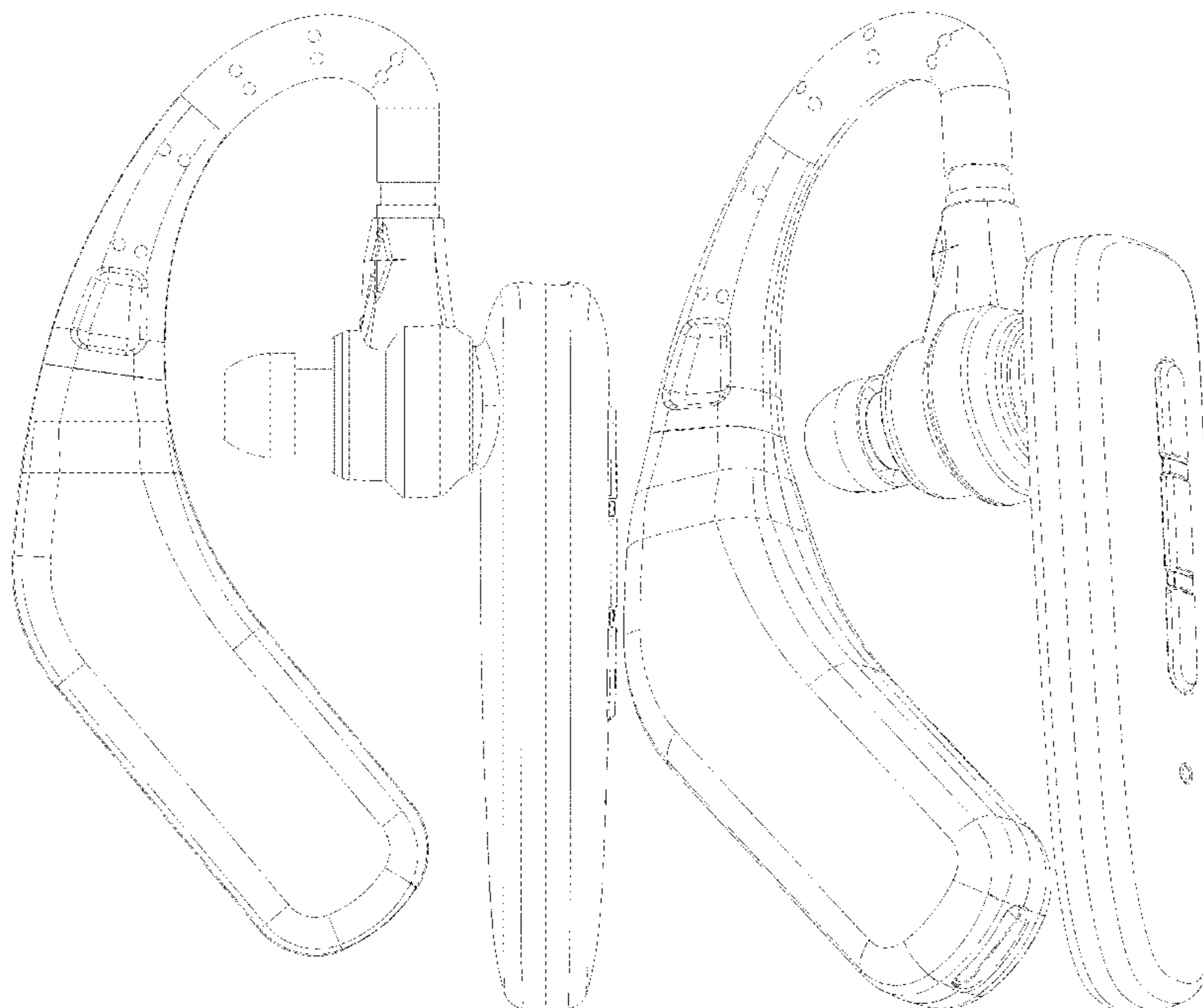
(57) **CLAIM**

The ornamental design for a walkie talkie, as shown and described.

**DESCRIPTION**

FIG. 1 is a front elevational view of a walkie talkie showing my new design;  
FIG. 2 is a rear elevational view thereof;  
FIG. 3 is a left side view thereof;  
FIG. 4 is a right side view thereof;  
FIG. 5 is a top plan view thereof;  
FIG. 6 is a bottom plan view thereof;  
FIG. 7 is a perspective view thereof;  
FIG. 8 is a second perspective view thereof; and,  
FIG. 9 is a third perspective view thereof.  
The broken lines shown in walkie talkie form no part of the claimed design.

**1 Claim, 8 Drawing Sheets**



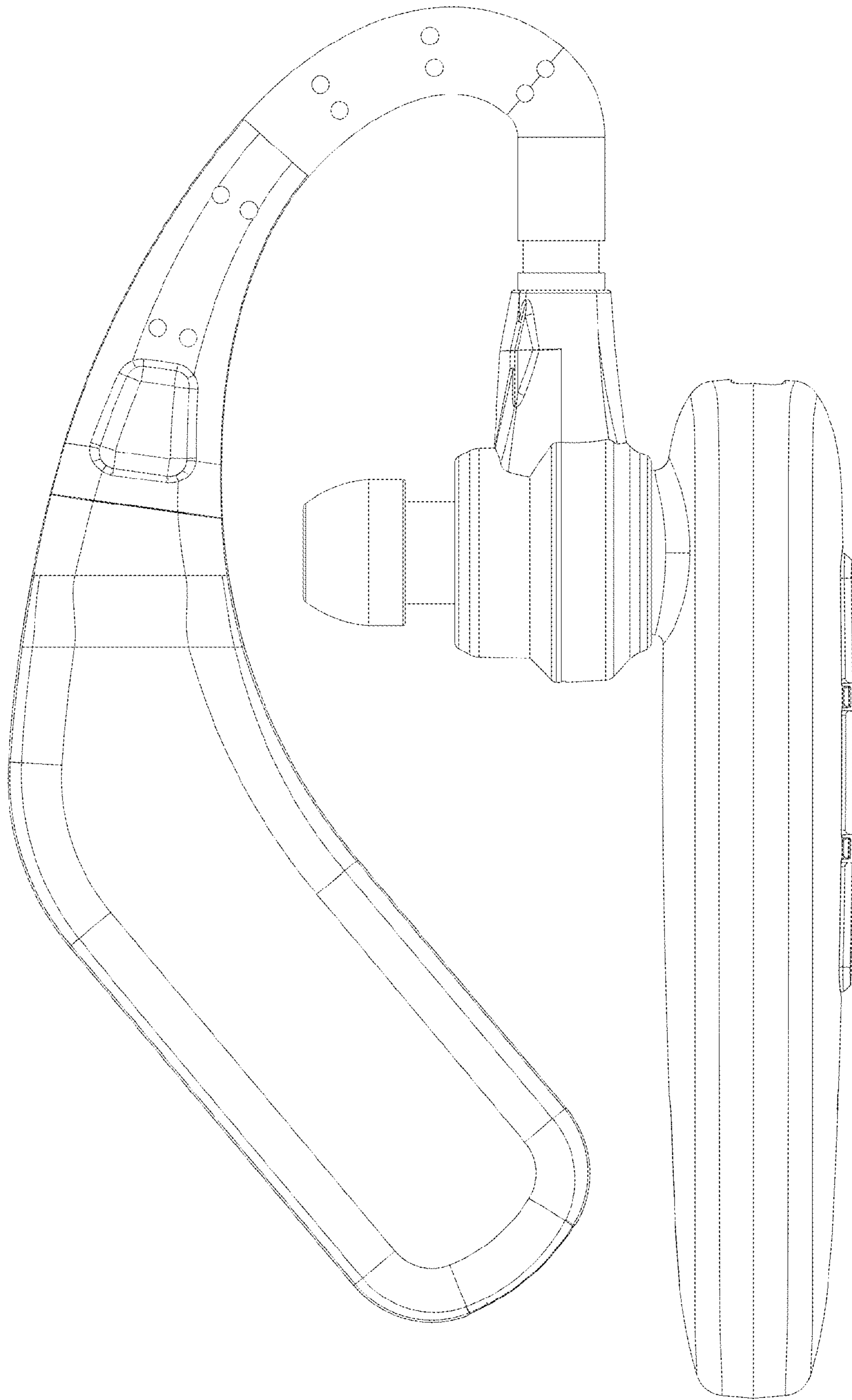


FIG. 1

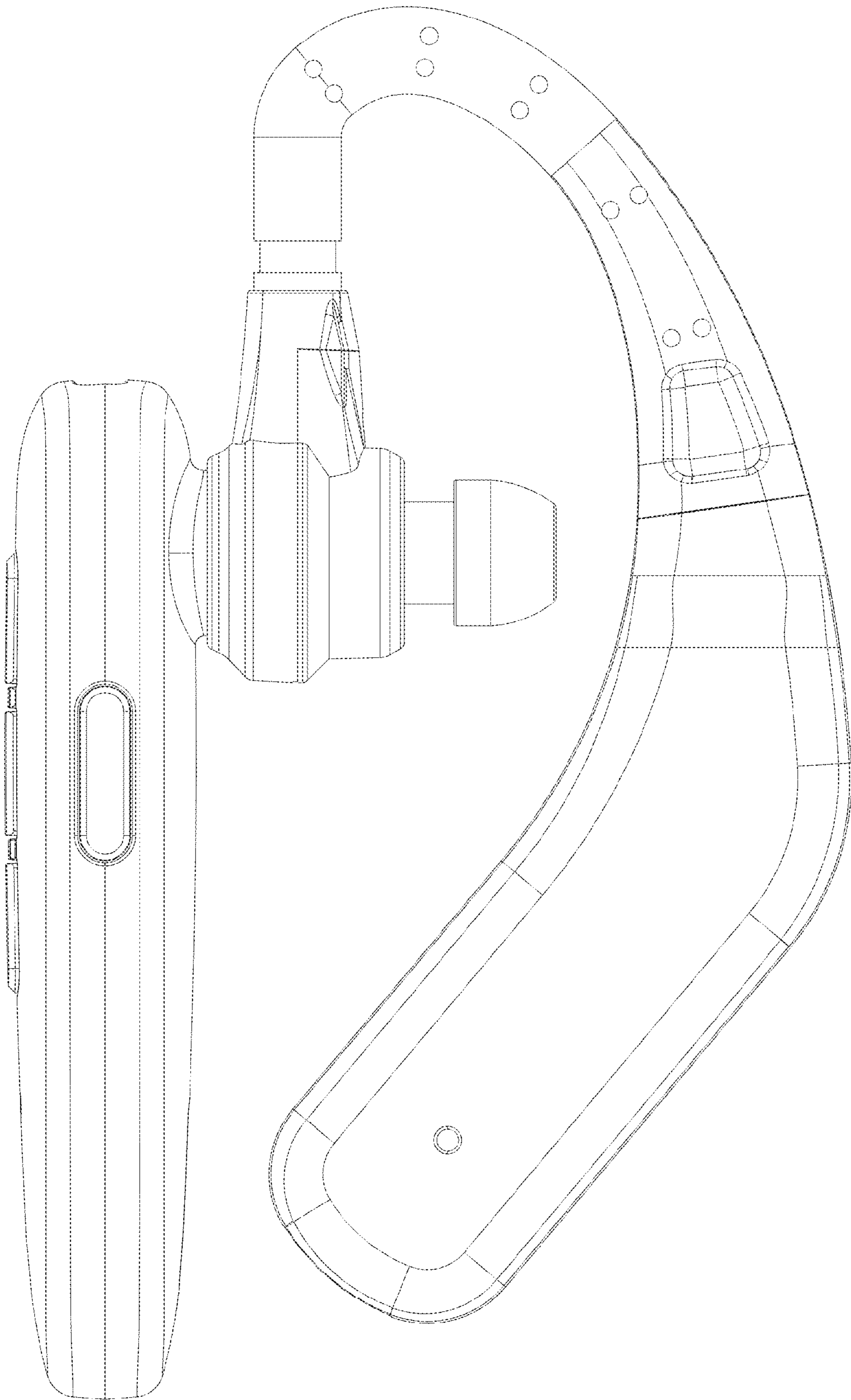


FIG. 2

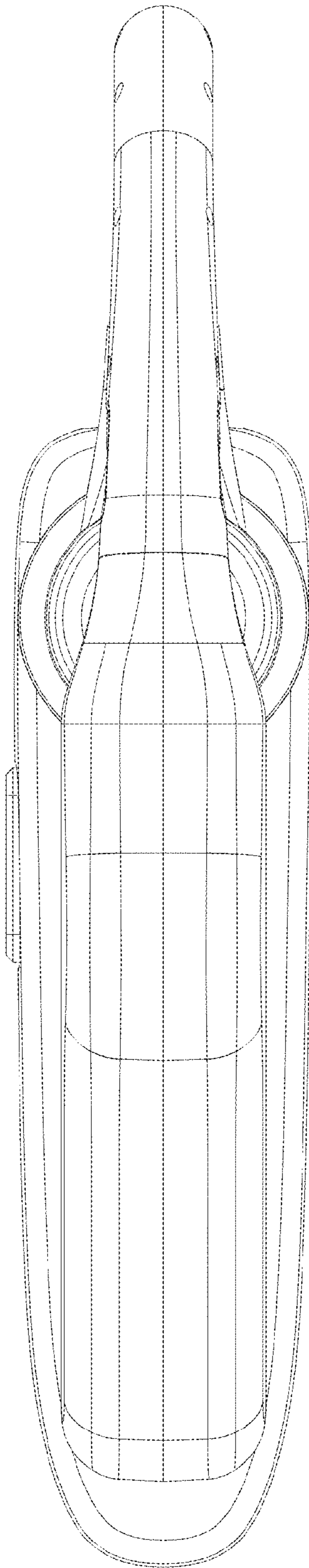


FIG. 3



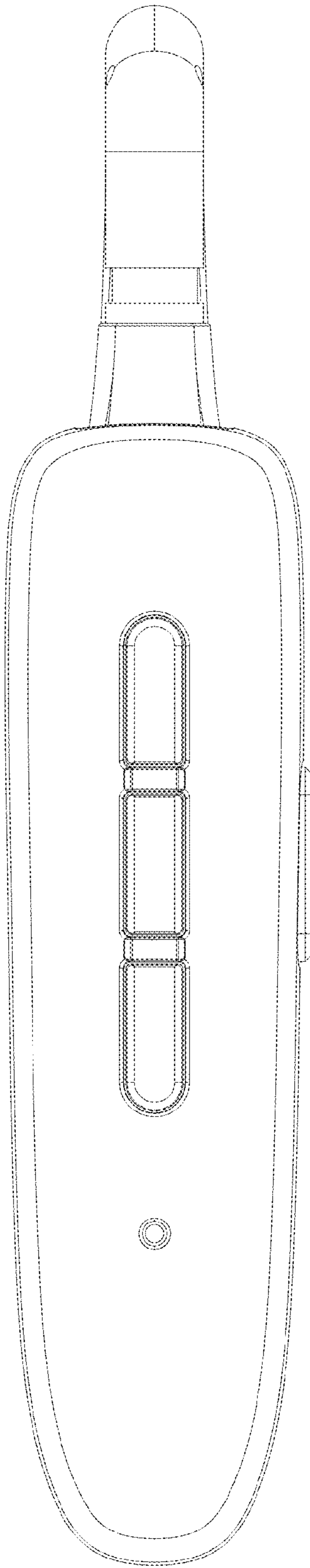


FIG. 4

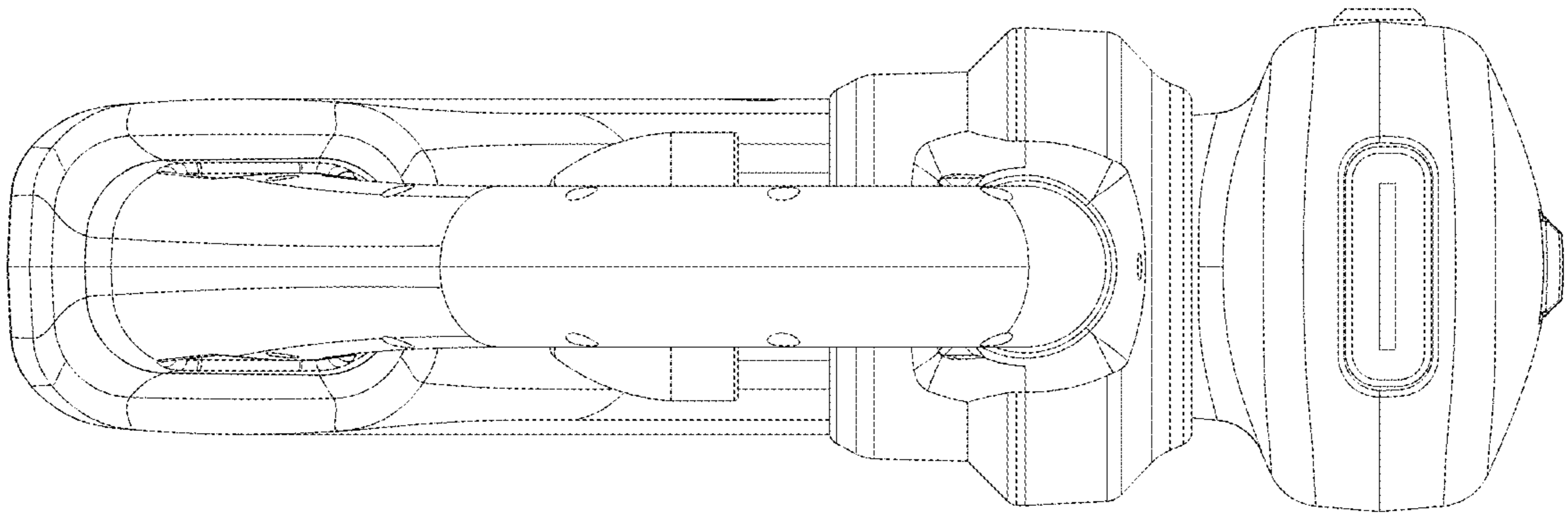


FIG. 5

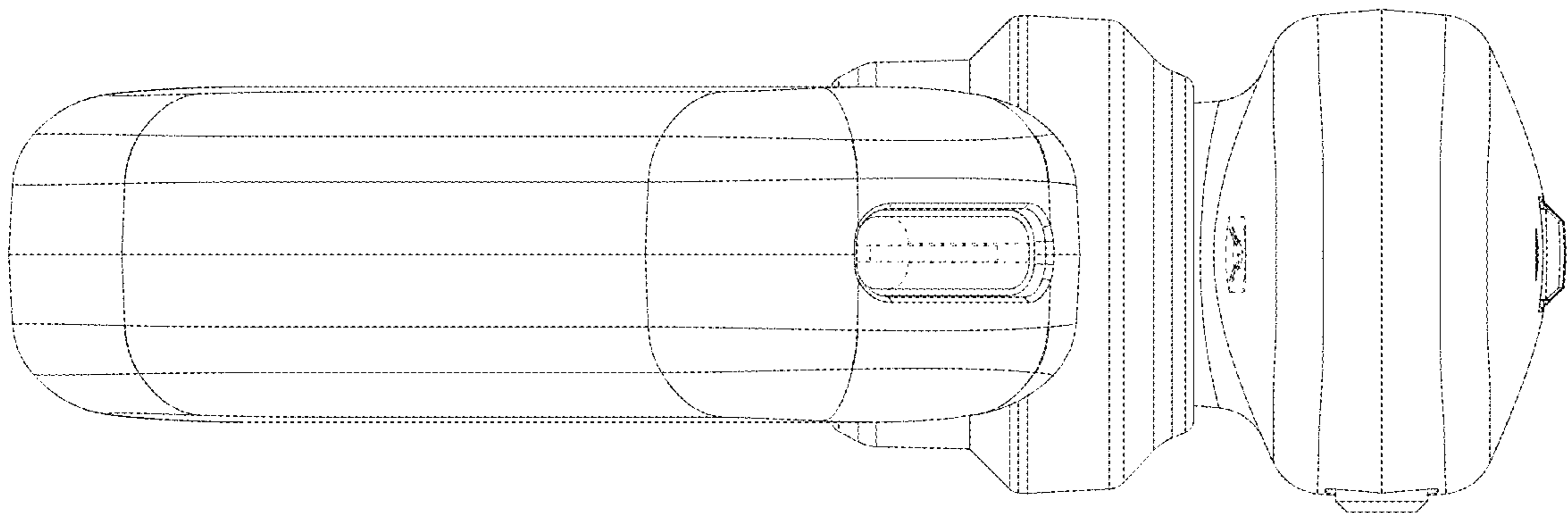


FIG. 6

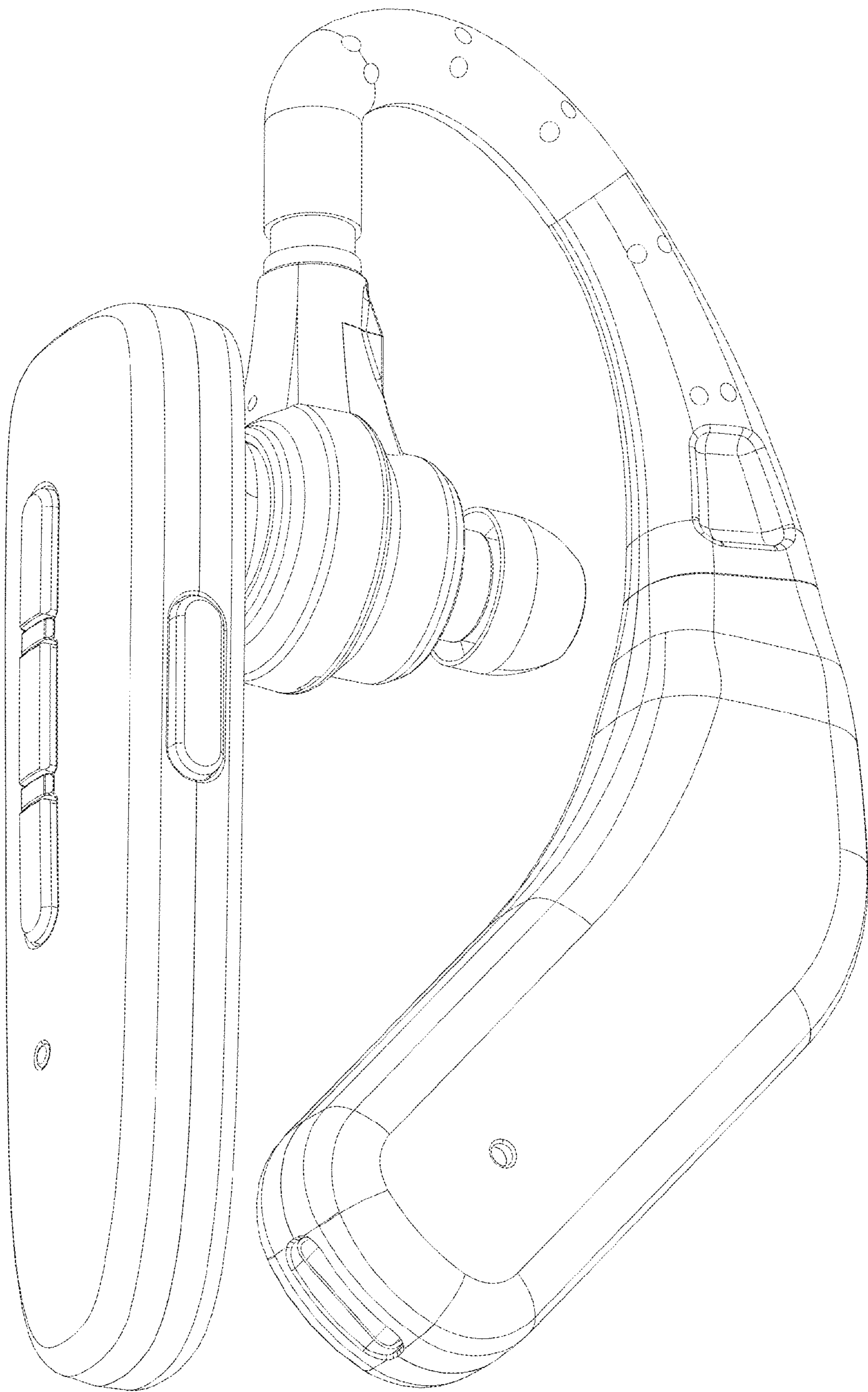


FIG. 7

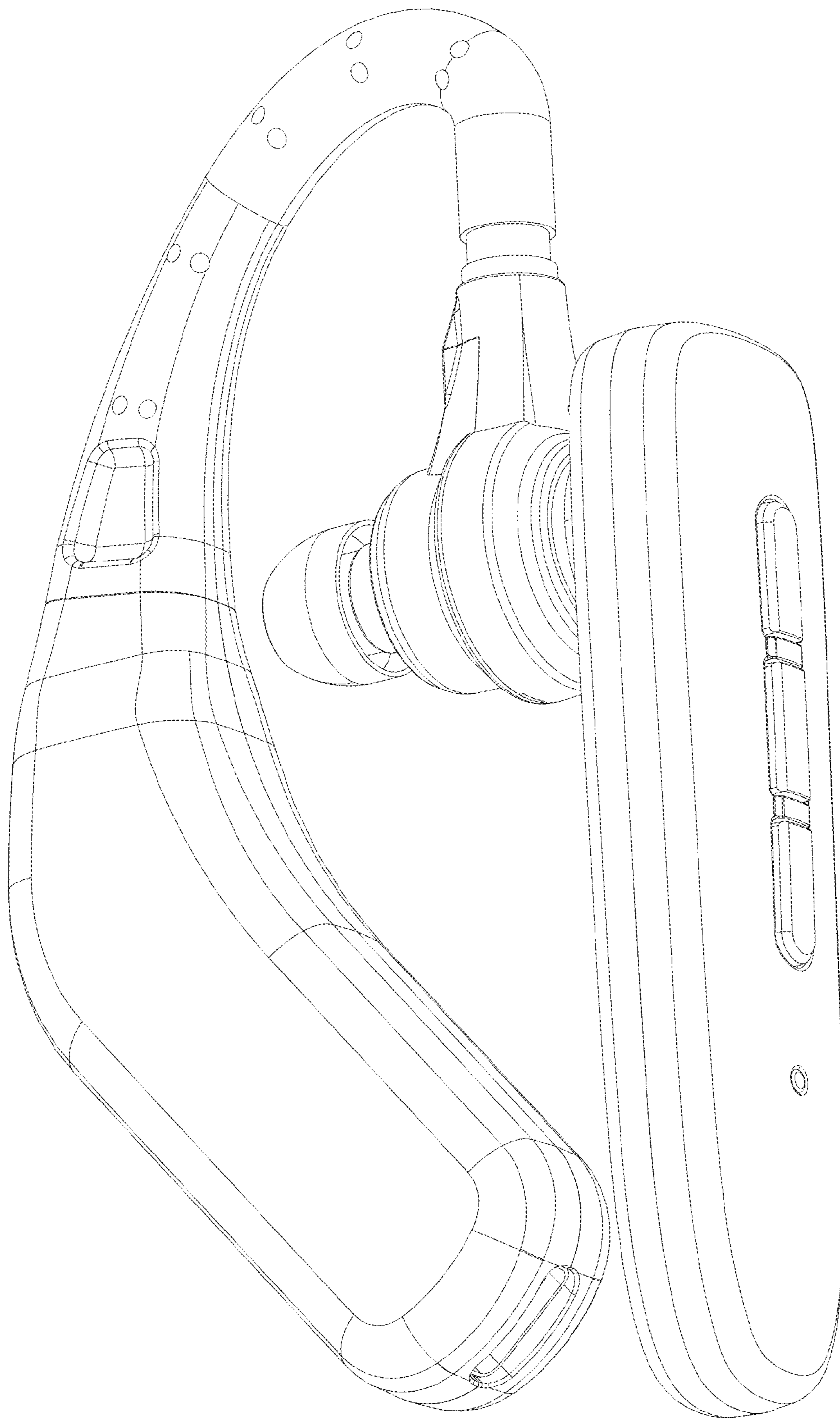


FIG. 8



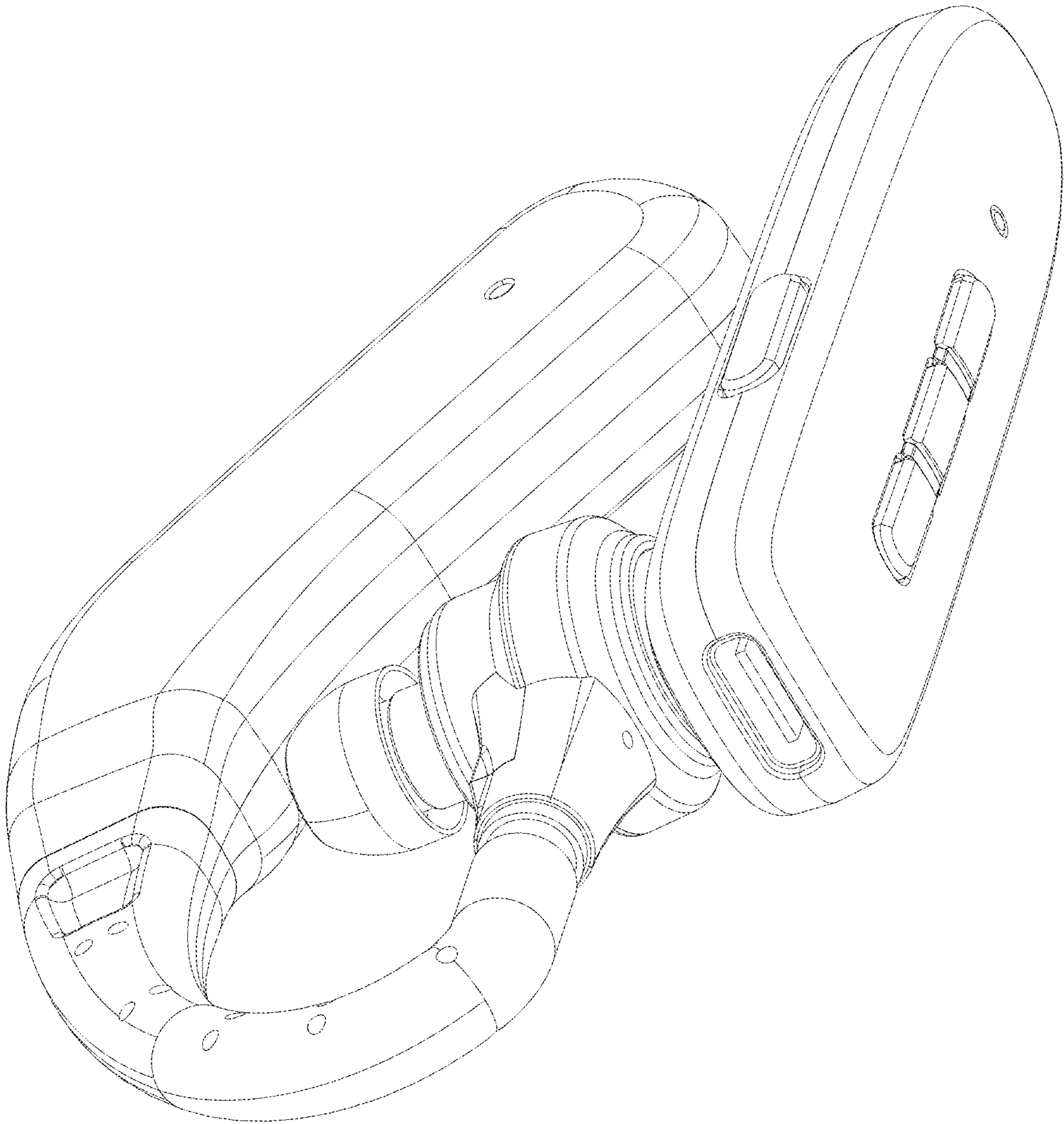


FIG. 9