



US00D983763S

(12) **United States Design Patent**
Hong

(10) **Patent No.:** **US D983,763 S**

(45) **Date of Patent:** **** Apr. 18, 2023**

(54) **WALKIE TALKIE**

(71) Applicant: **Shaohua Hong**, Fujian (CN)

(72) Inventor: **Shaohua Hong**, Fujian (CN)

(**) Term: **15 Years**

(21) Appl. No.: **29/807,272**

(22) Filed: **Sep. 10, 2021**

(30) **Foreign Application Priority Data**

Jun. 15, 2021 (CN) 202130368149.6

(51) **LOC (14) Cl.** **14-03**

(52) **U.S. Cl.**
USPC **D14/137**

(58) **Field of Classification Search**
USPC D14/137, 138 R, 138 AA, 138 AD;
D10/104.1
CPC .. H04B 1/3833; H04B 1/3827; H04B 1/3855;
H04B 2001/3861; H04M 1/0202; H04M
1/03; H04M 1/035
See application file for complete search history.

(56) **References Cited**

U.S. PATENT DOCUMENTS

D616,845 S * 6/2010 Xia D14/137
D651,997 S * 1/2012 Oikawa D14/137

D653,637 S * 2/2012 Ismail D14/137
D711,346 S * 8/2014 Ismail D14/137
D717,258 S * 11/2014 Garra D14/137
D717,259 S * 11/2014 Ooi D14/137
D721,050 S * 1/2015 Kaner D14/137
D752,536 S * 3/2016 Ooi D14/137
D873,784 S * 1/2020 Woo D14/137
D927,442 S * 8/2021 Hong D14/137
D954,012 S * 6/2022 Hong D14/137
D956,711 S * 7/2022 Hong D14/137
D958,766 S * 7/2022 Woo D14/137

* cited by examiner

Primary Examiner — Bridget L Eland

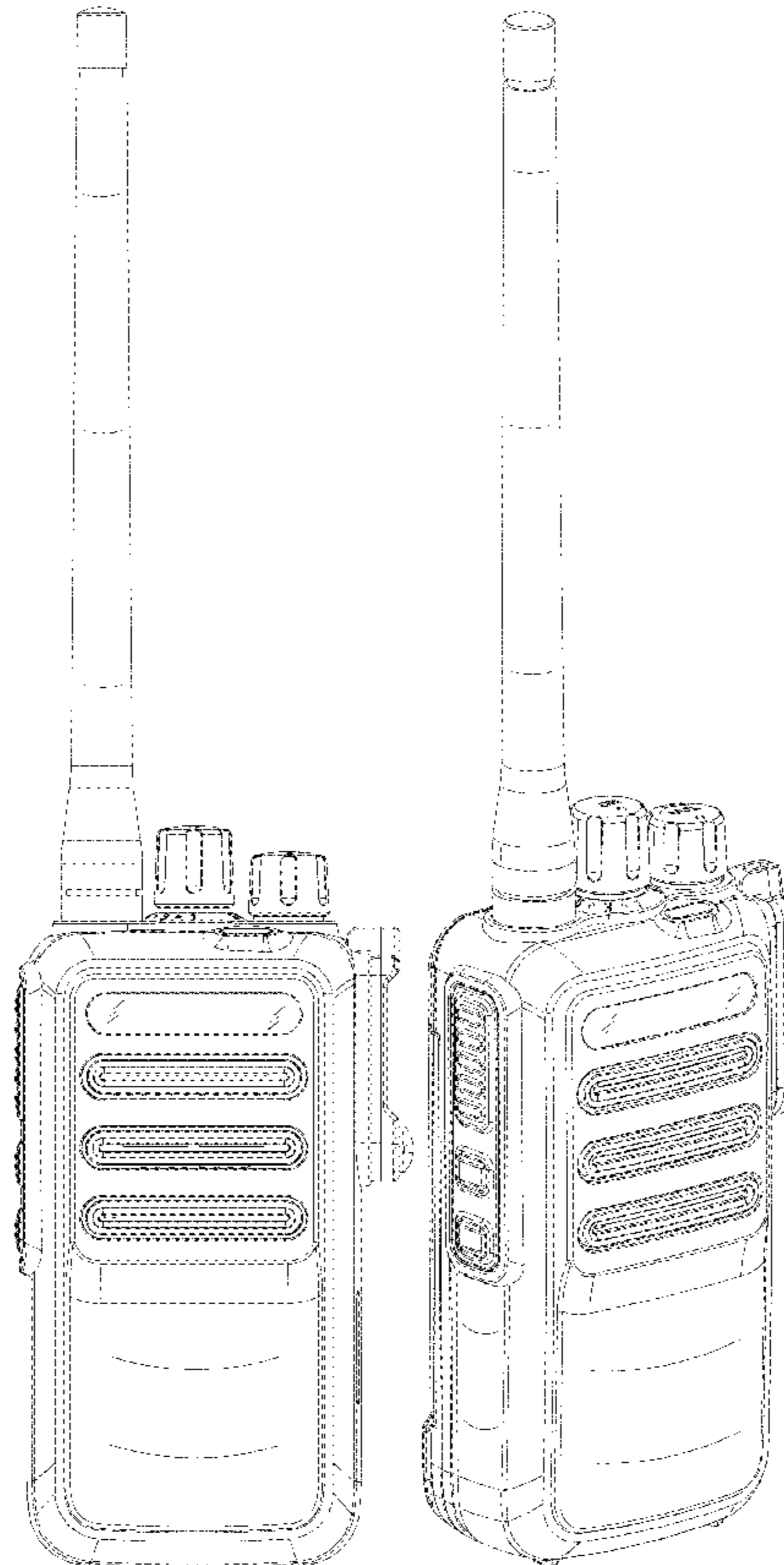
(57) **CLAIM**

The ornamental design for a walkie talkie, as shown and described.

DESCRIPTION

FIG. 1 is a front elevational view of a walkie talkie showing my new design;
FIG. 2 is a rear elevational view thereof;
FIG. 3 is a left side view thereof;
FIG. 4 is a right side view thereof;
FIG. 5 is a top plan view thereof;
FIG. 6 is a bottom plan view thereof;
FIG. 7 is a perspective view thereof; and,
FIG. 8 is a second perspective view thereof.
The broken lines shown in walkie talkie form no part of the claimed design.

1 Claim, 7 Drawing Sheets



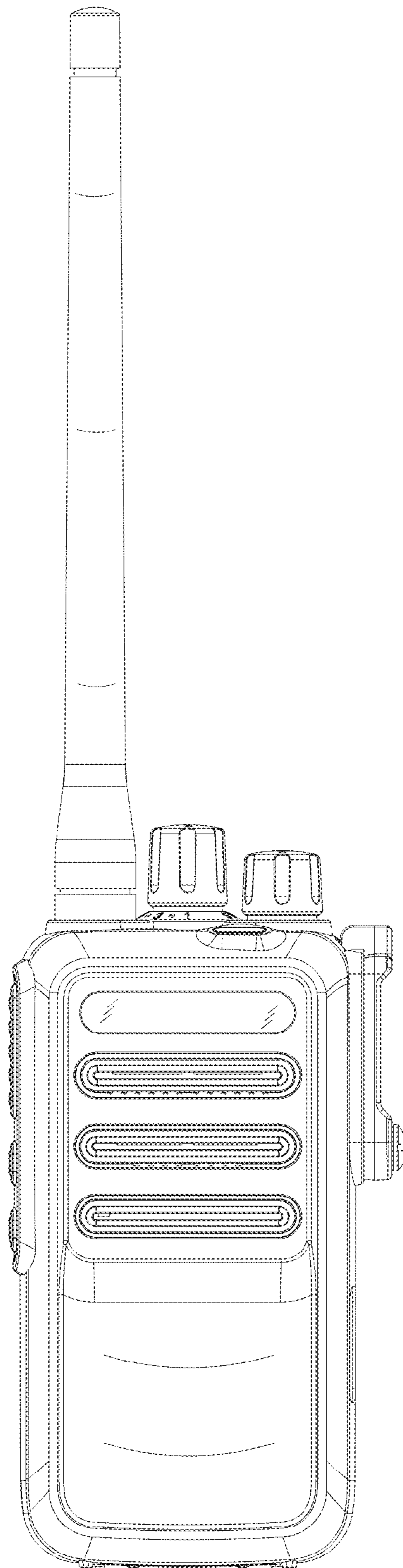


FIG. 1

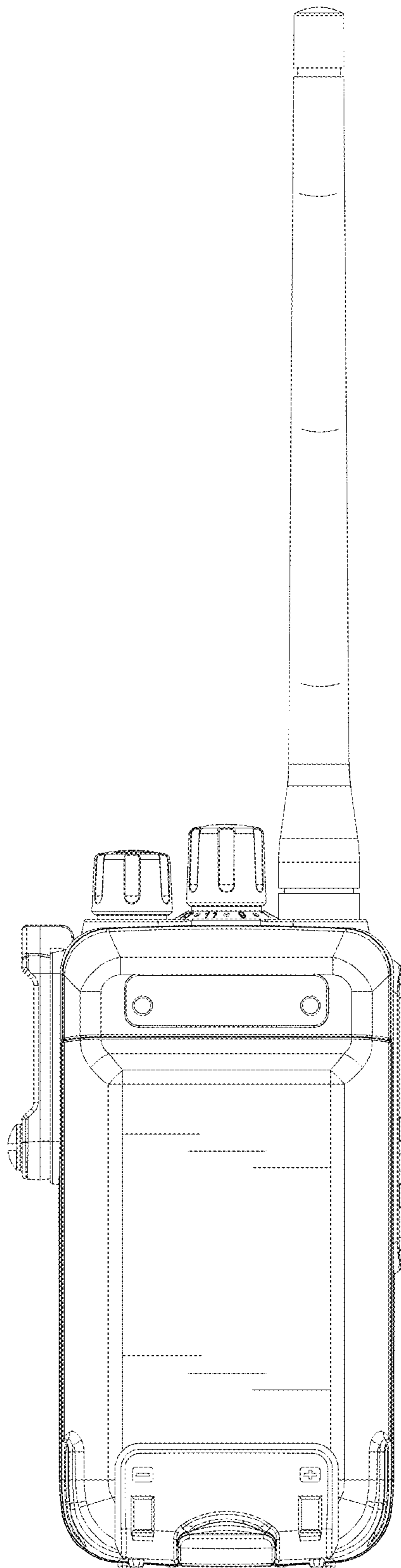


FIG. 2

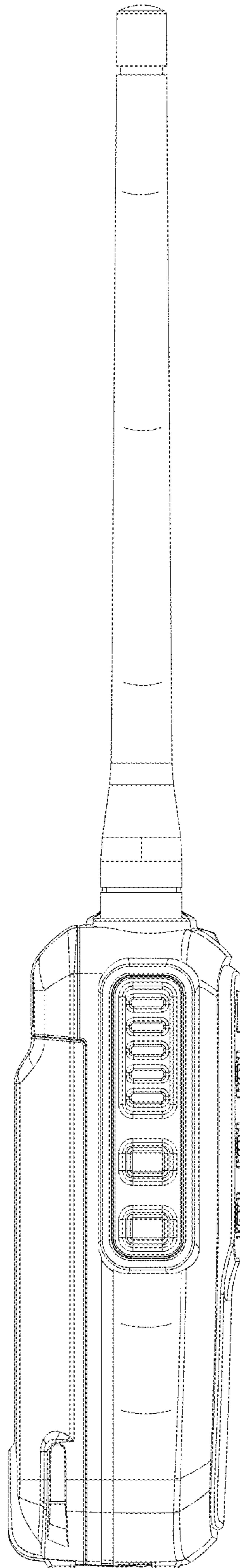


FIG. 3

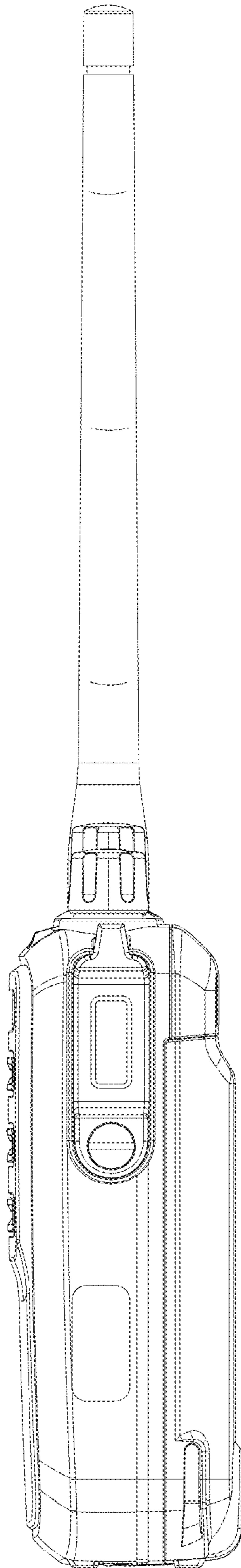


FIG. 4

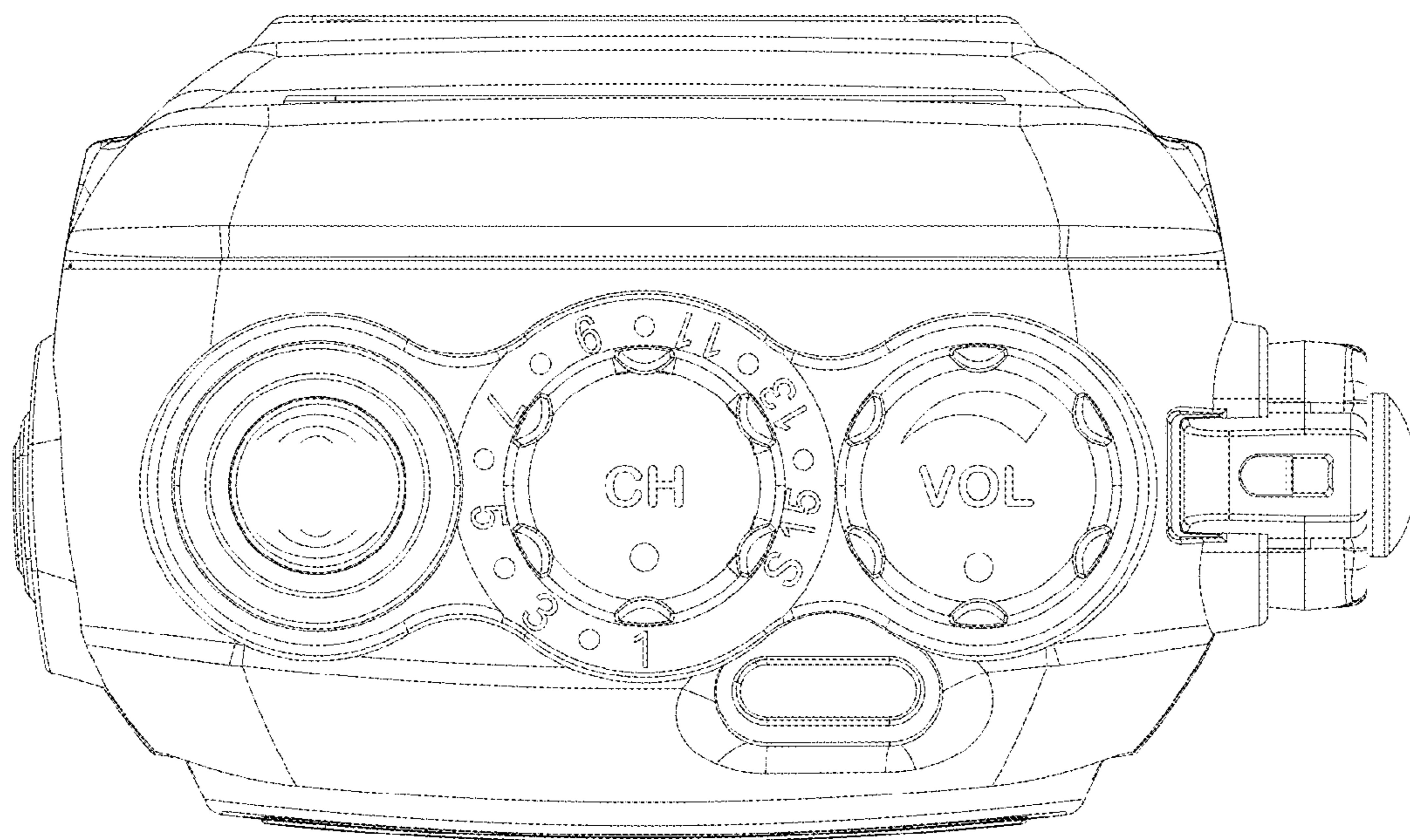


FIG. 5

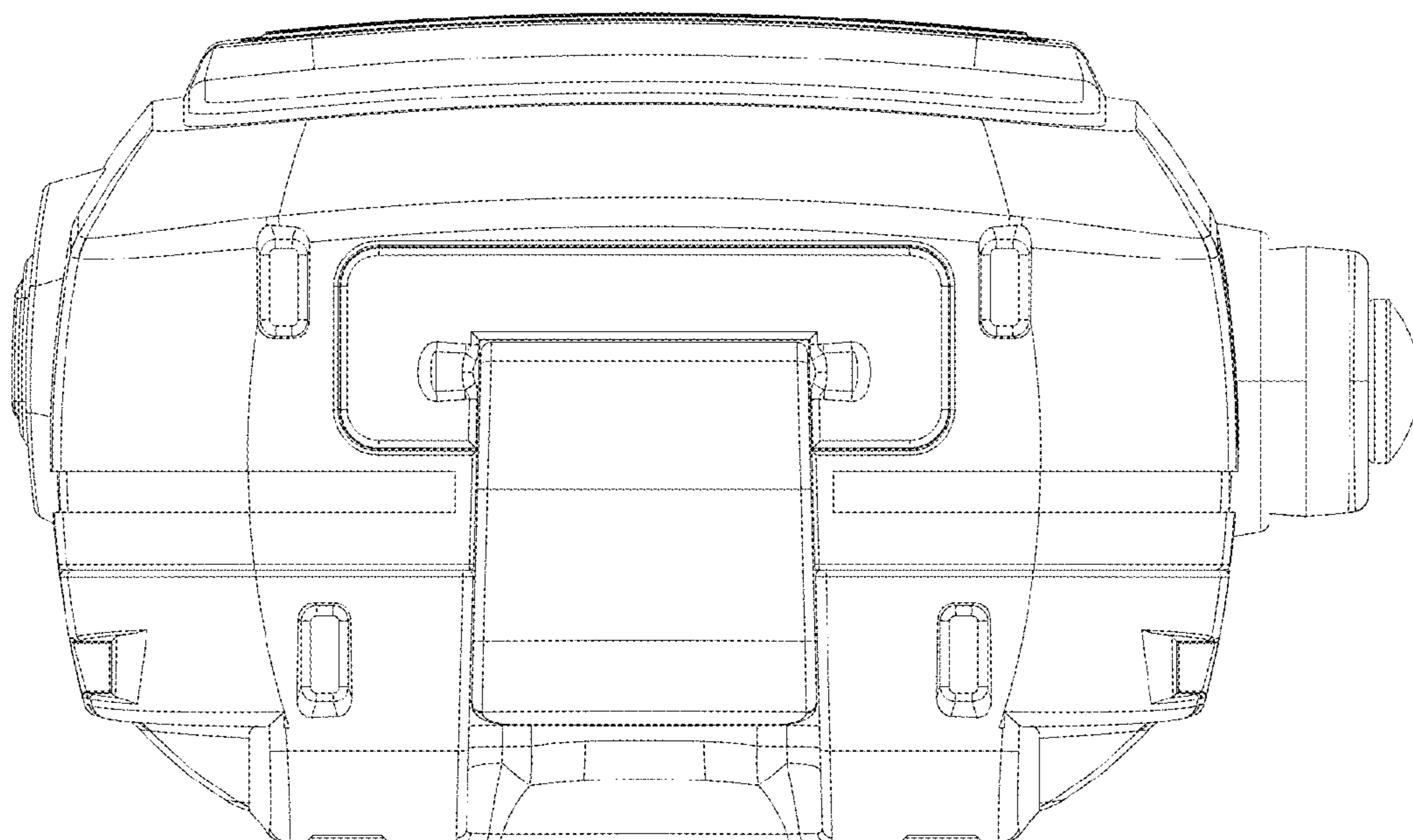


FIG. 6

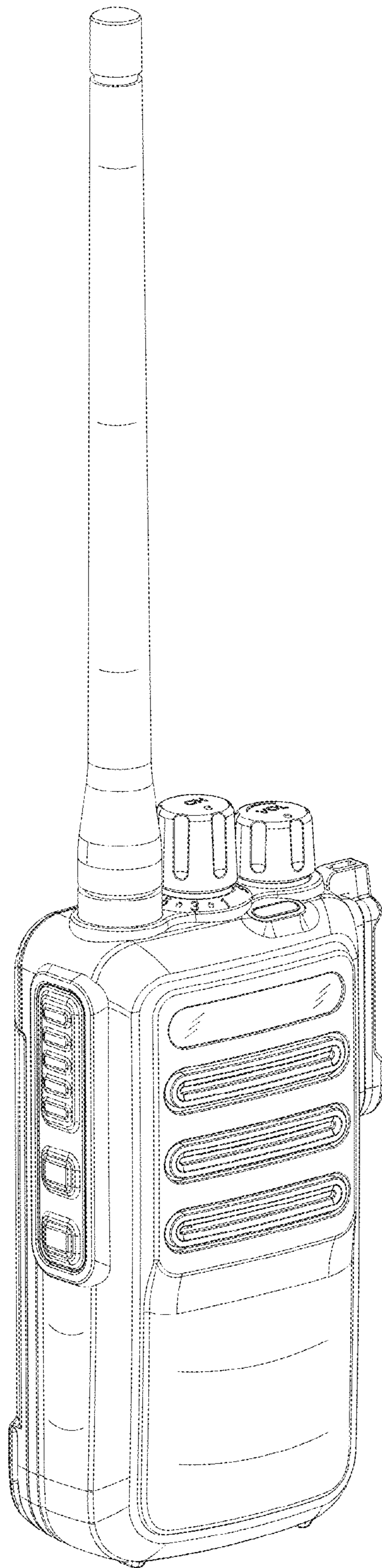


FIG. 7

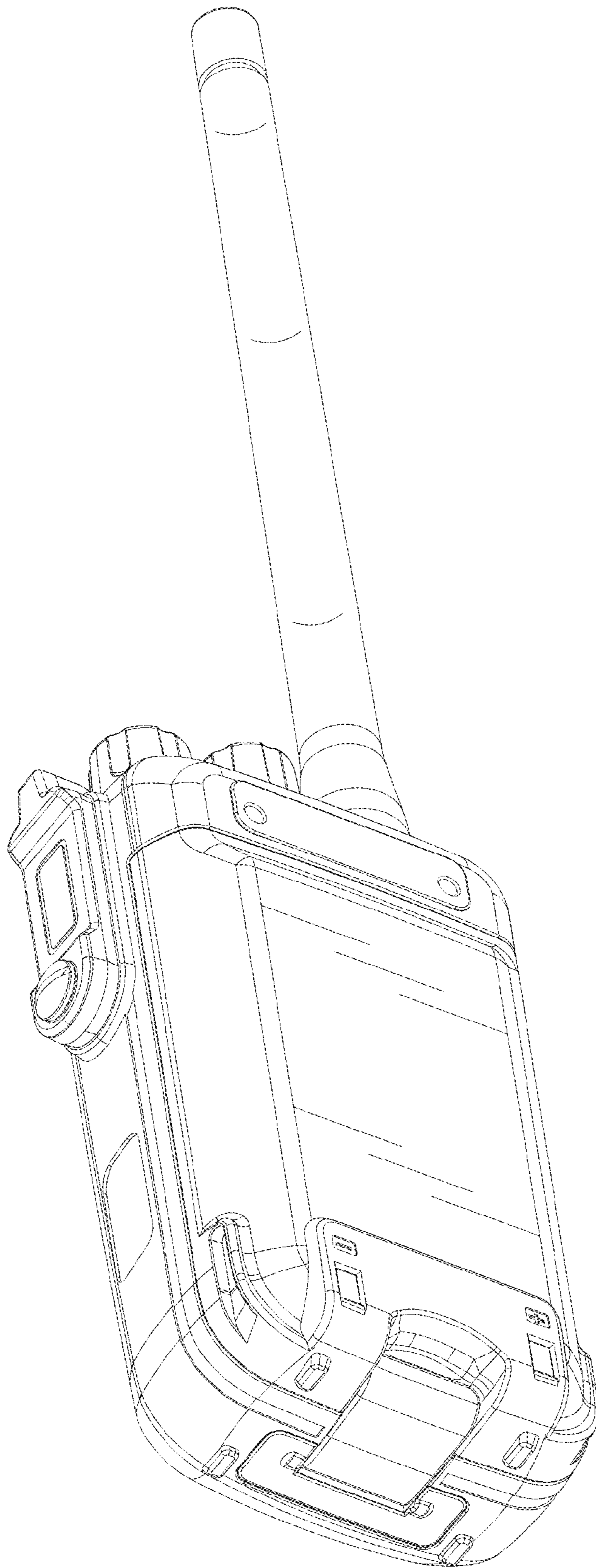


FIG. 8