



US00D983761S

(12) **United States Design Patent**
Lim et al.

(10) **Patent No.:** **US D983,761 S**
(45) **Date of Patent:** **** Apr. 18, 2023**

(54) **TELEVISION APPARATUS**

(71) Applicant: **LG ELECTRONICS INC.**, Seoul (KR)
(72) Inventors: **Jaewon Lim**, Seoul (KR); **Yongho Lee**, Seoul (KR); **Sechang Park**, Seoul (KR)
(73) Assignee: **LG ELECTRONICS INC.**, Seoul (KR)
(**) Term: **15 Years**
(21) Appl. No.: **35/513,437**
(22) Filed: **Jul. 26, 2021**

(80) **Hague Agreement Data**

Int. Filing Date: **Jul. 26, 2021**
Int. Reg. No.: **DM/216194**
Int. Reg. Date: **Jul. 26, 2021**
Int. Reg. Pub. Date: **Jan. 28, 2022**

(30) **Foreign Application Priority Data**

Feb. 22, 2021 (KR) 30-2021-0008799

(51) **LOC (14) Cl.** **14-03**

(52) **U.S. Cl.**
USPC **D14/129**

(58) **Field of Classification Search**

USPC D14/336, 448, 204, 209.1, 211, 224-225,
D14/227-228, 239, 371-374, 129;
(Continued)

(56) **References Cited**

U.S. PATENT DOCUMENTS

D536,380 S * 2/2007 Clifton D20/10
D542,247 S * 5/2007 Kinoshita D14/129
(Continued)

FOREIGN PATENT DOCUMENTS

JP d1726001 * 9/2022

OTHER PUBLICATIONS

Azura, "360 Degree Swivel in Grey Finish TV Lift Cabinet" available at tvliftcabinet.com, oldest review date Sep. 21, 2018, site

visited Nov. 15, 2022, available at URL: <https://bit.ly/3EdX6kx> (Year: 2018).*

Primary Examiner — Daniel J Domino

Assistant Examiner — Samina Vieth

(74) *Attorney, Agent, or Firm* — Birch, Stewart, Kolasch & Birch, LLP

(57) **CLAIM**

The ornamental design for a television apparatus, as shown and described.

DESCRIPTION

1. Television apparatus

1.1 : Perspective

1.2 : Front

1.3 : Back

1.4 : Left

1.5 : Right

1.6 : Top

1.7 : Bottom

1.8 : Perspective

1.9 : Front

1.10 : Back

1.11 : Left

1.12 : Right

1.13 : Top

1.14 : Bottom

1.15 : Perspective

1.16 : Front

1.17 : Back

1.18 : Left

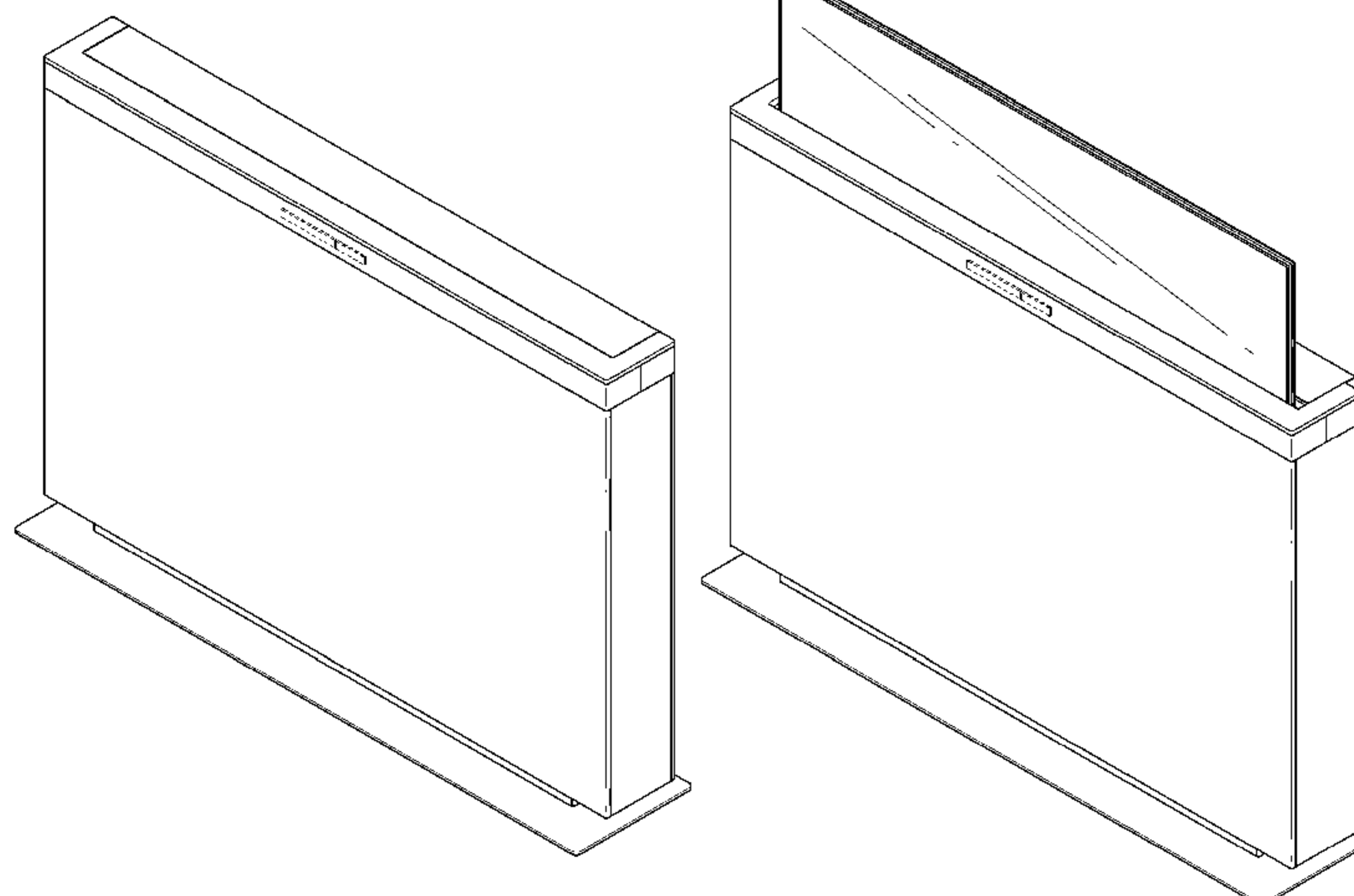
1.19 : Right

1.20 : Top

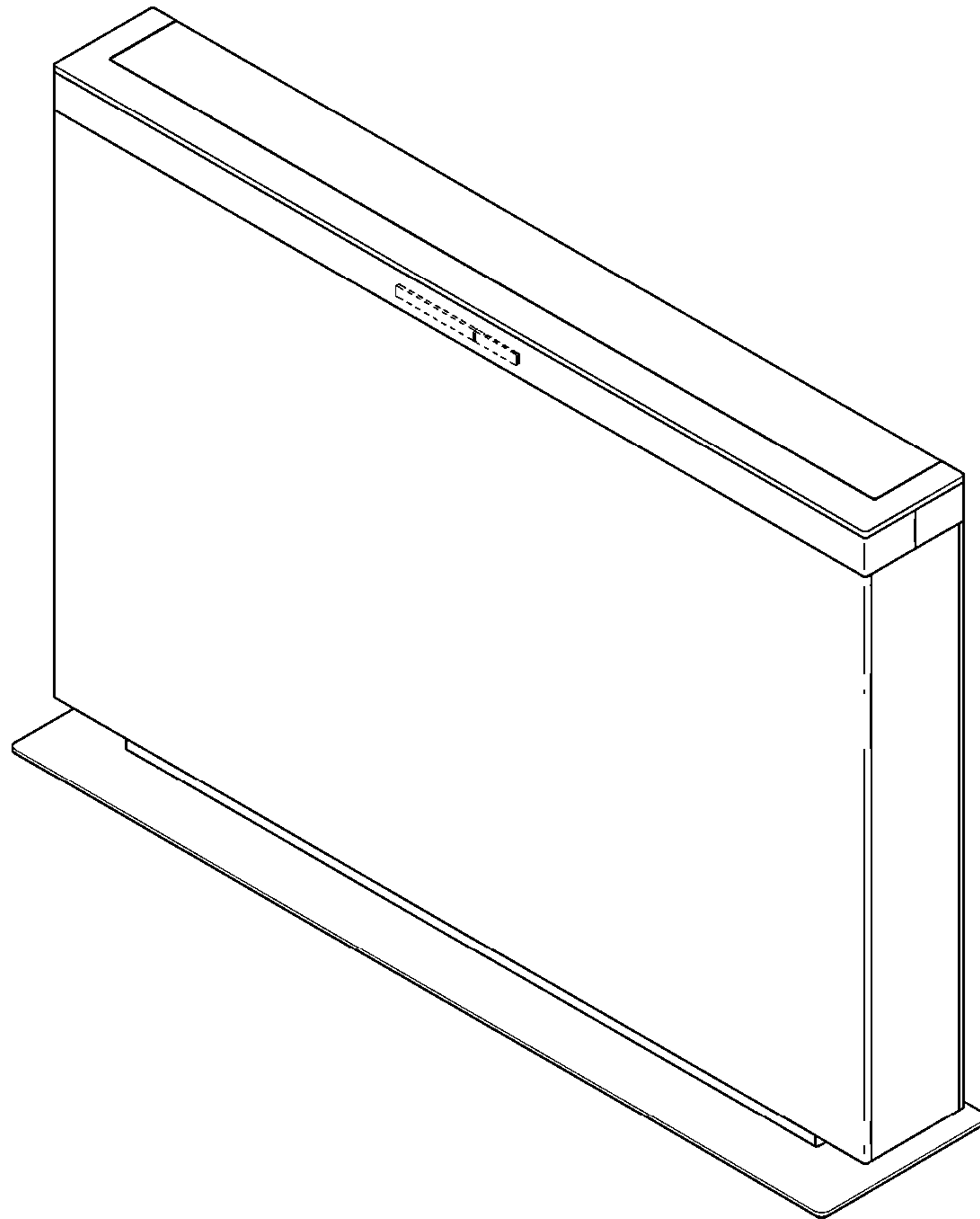
1.21 : Bottom

The broken lines indicate portions of the article that form no part of the claimed design; reproductions 1.1 to 1.7 show the claimed design in a first position; reproductions 1.8 to 1.14 show the claimed design with its screen partially sliding up; and reproductions 1.15 to 1.21 show the claimed design with its screen fully sliding up.

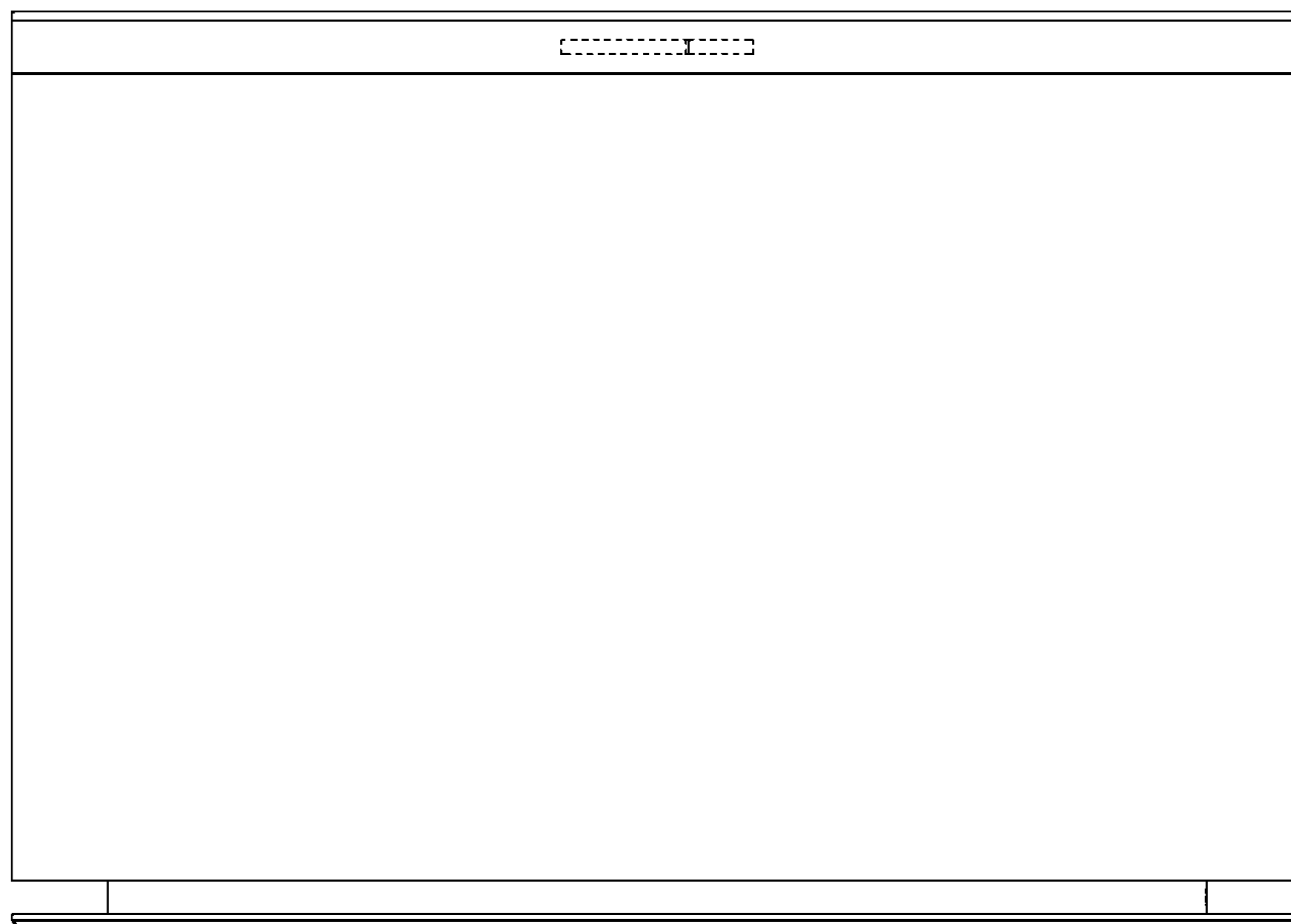
1 Claim, 21 Drawing Sheets



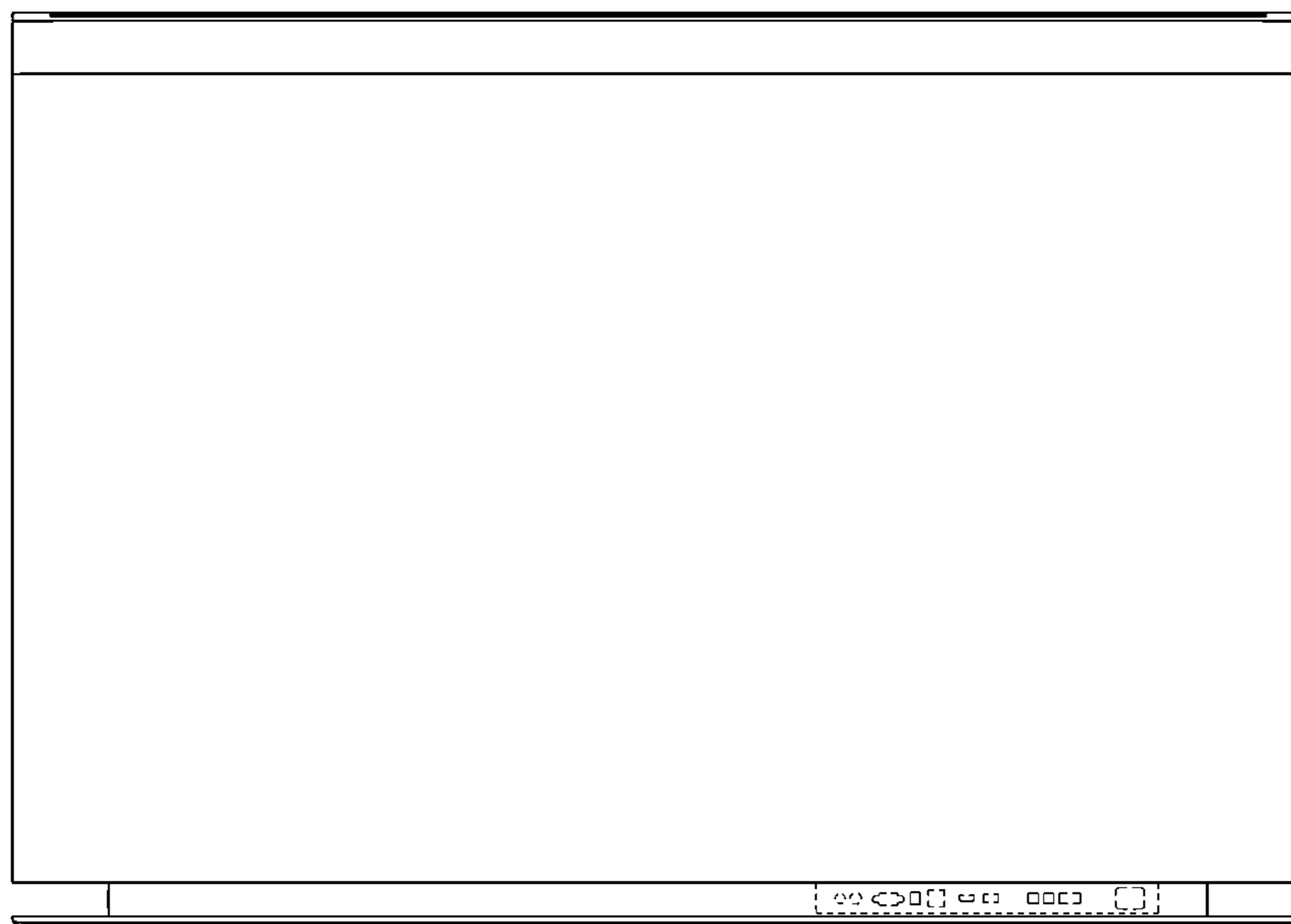
1.1



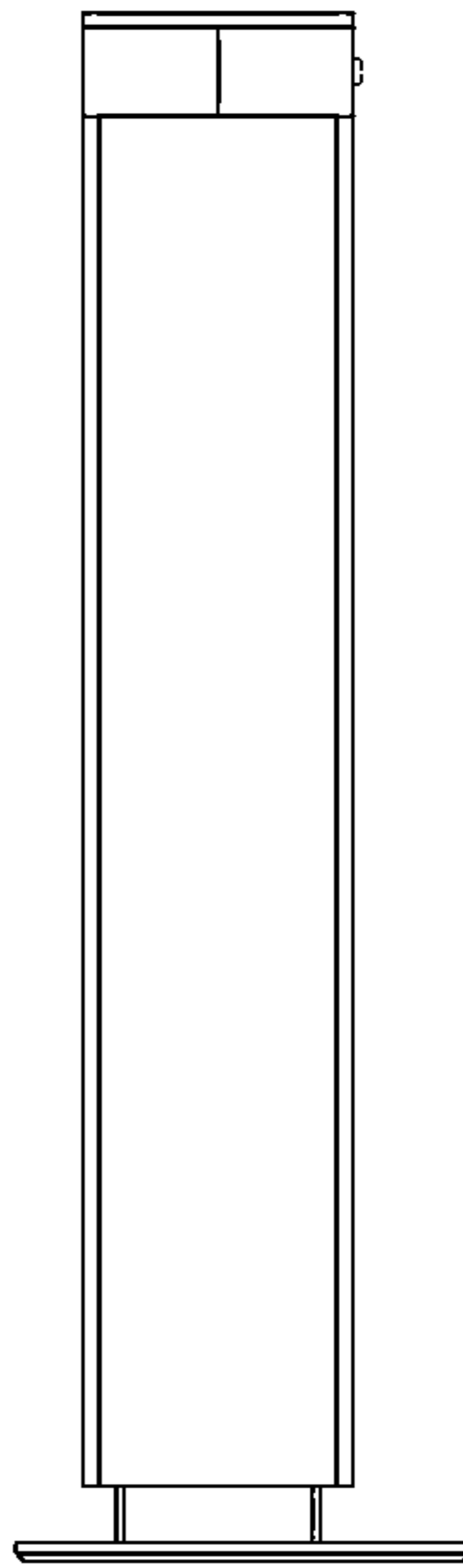
1.2



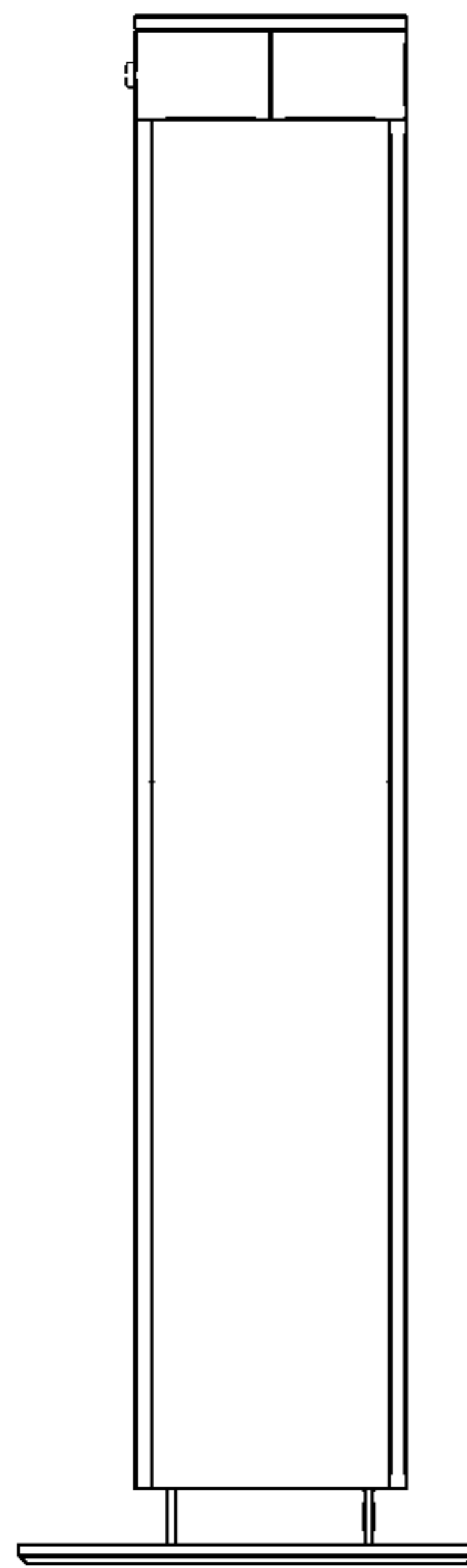
1.3



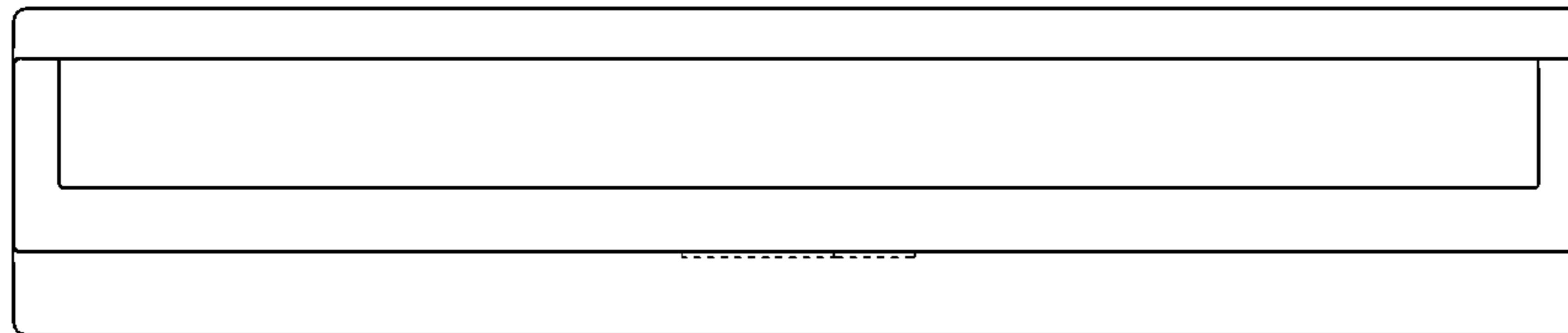
1.4



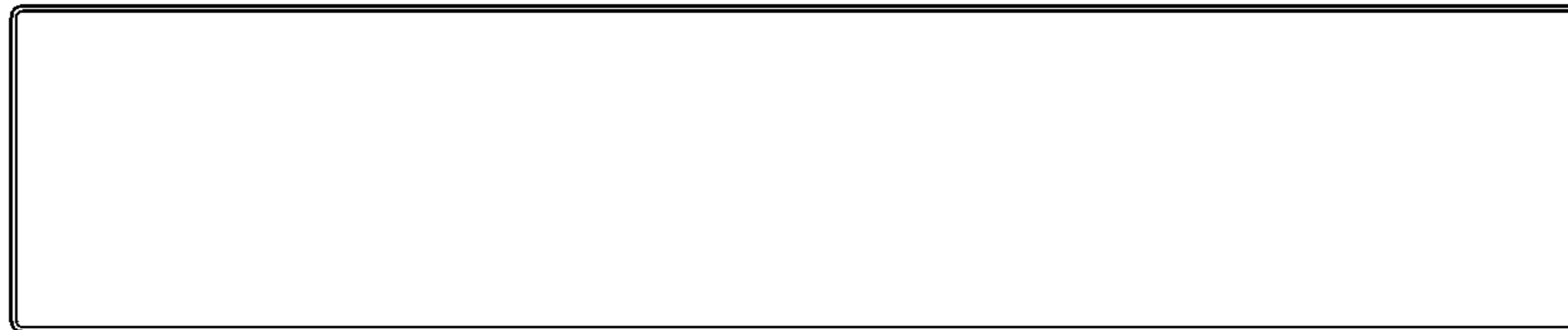
1.5



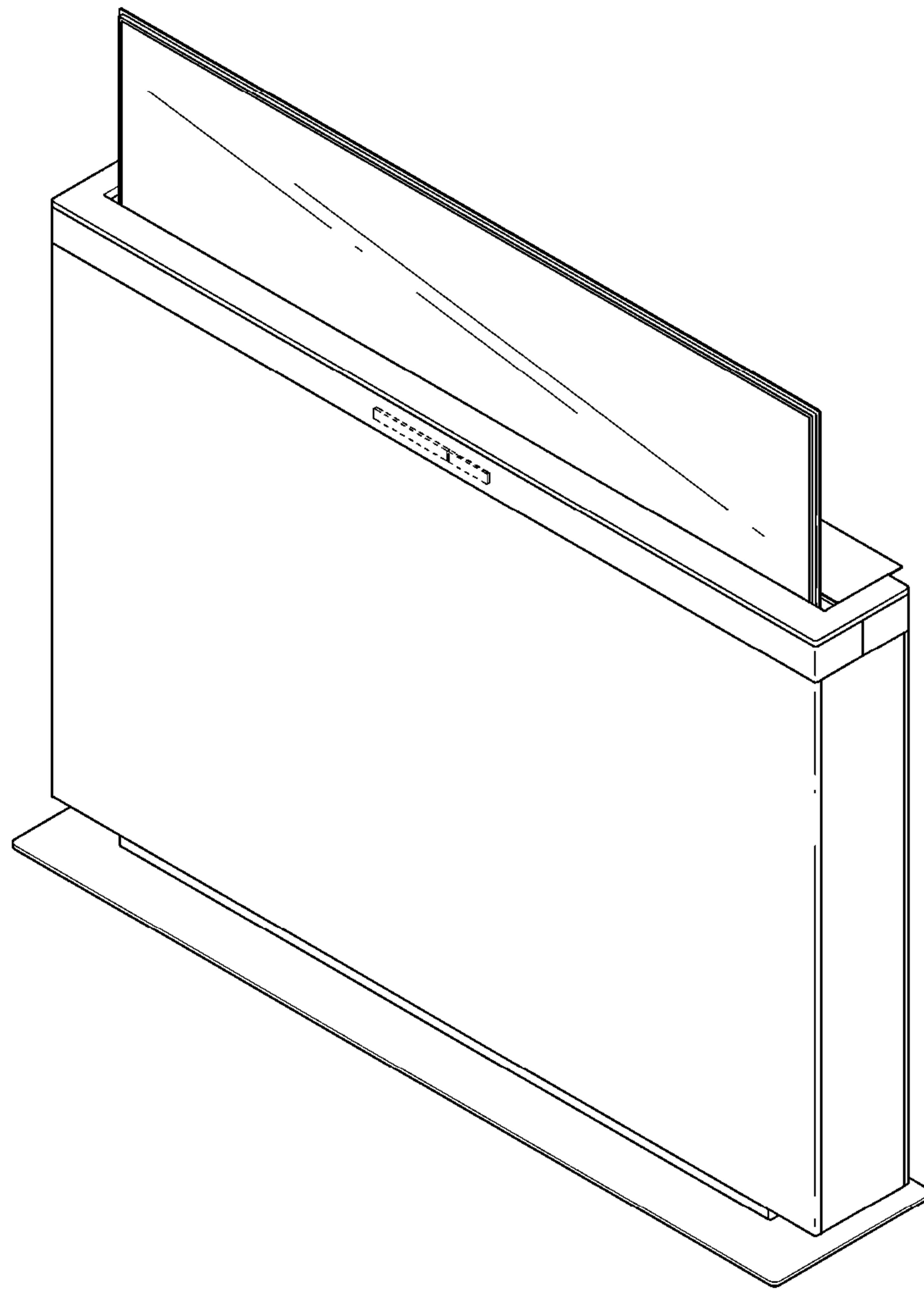
1.6



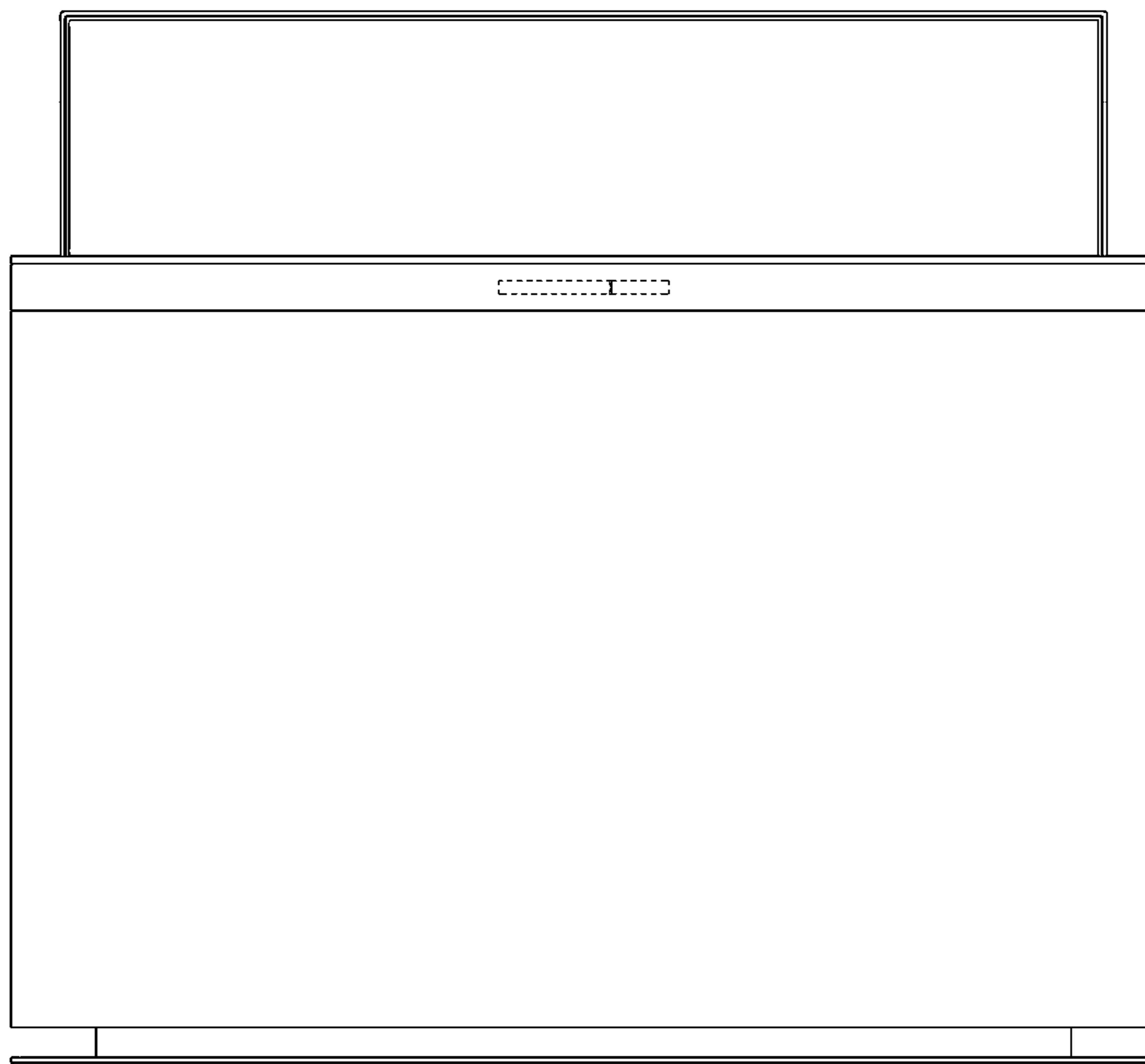
1.7



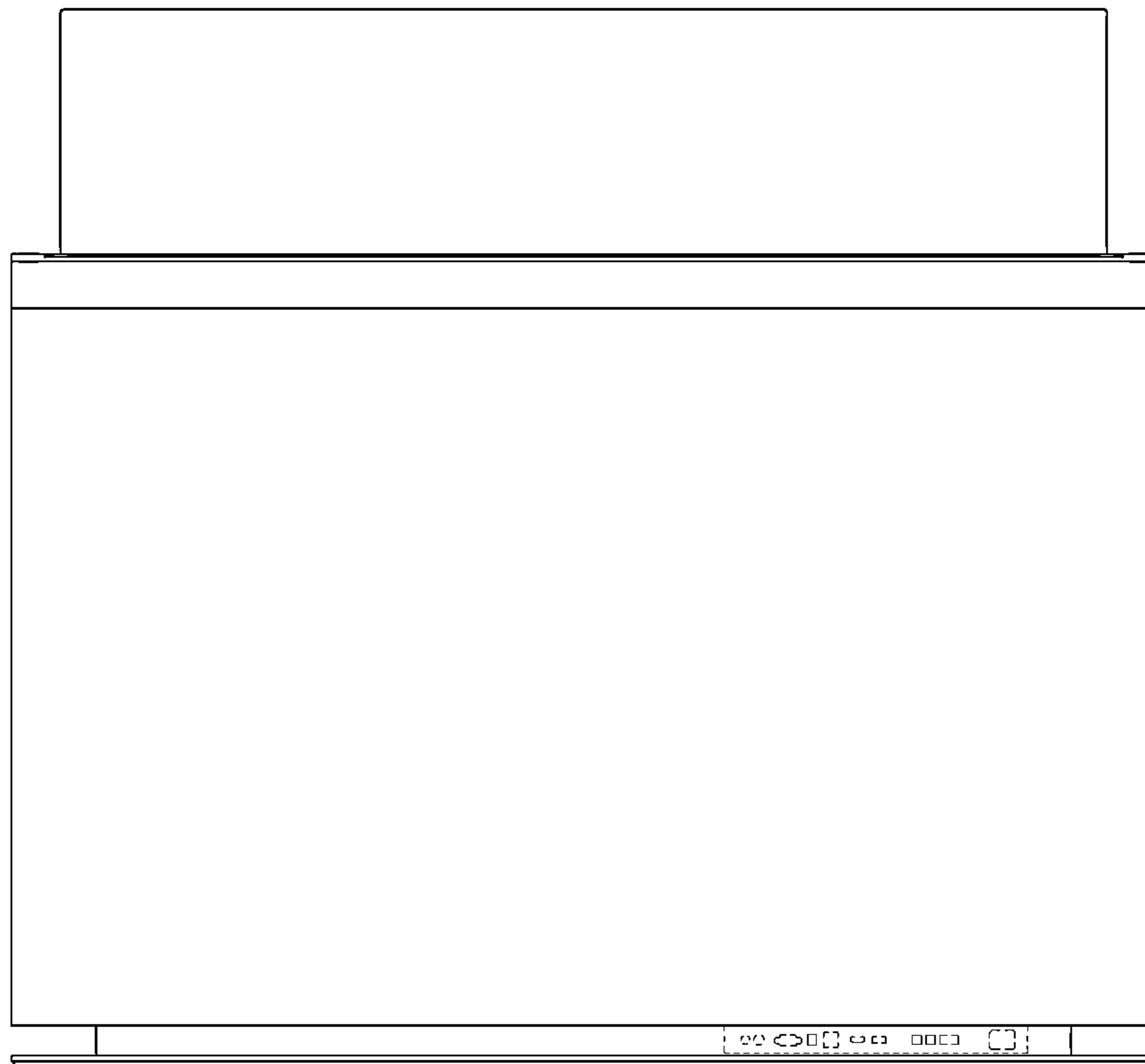
1.8



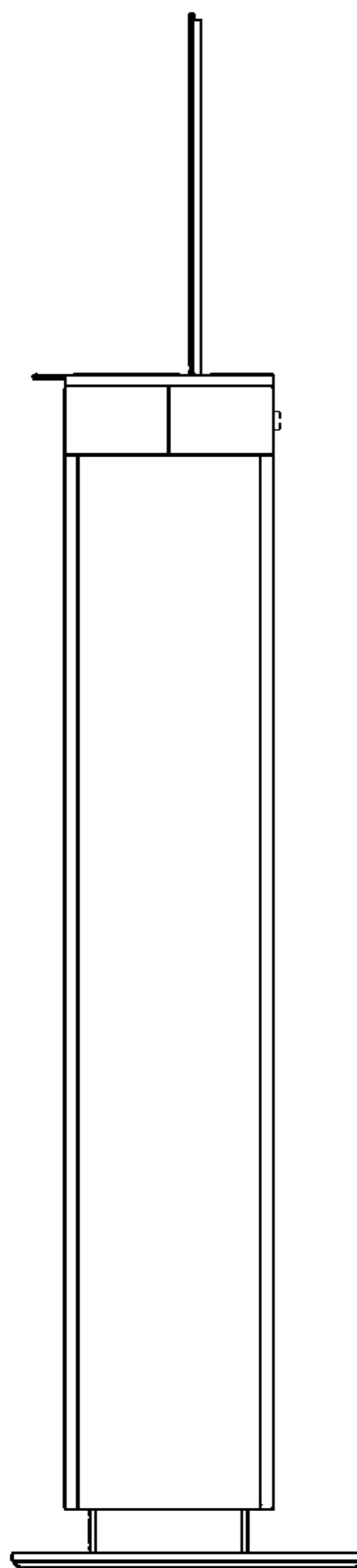
1.9



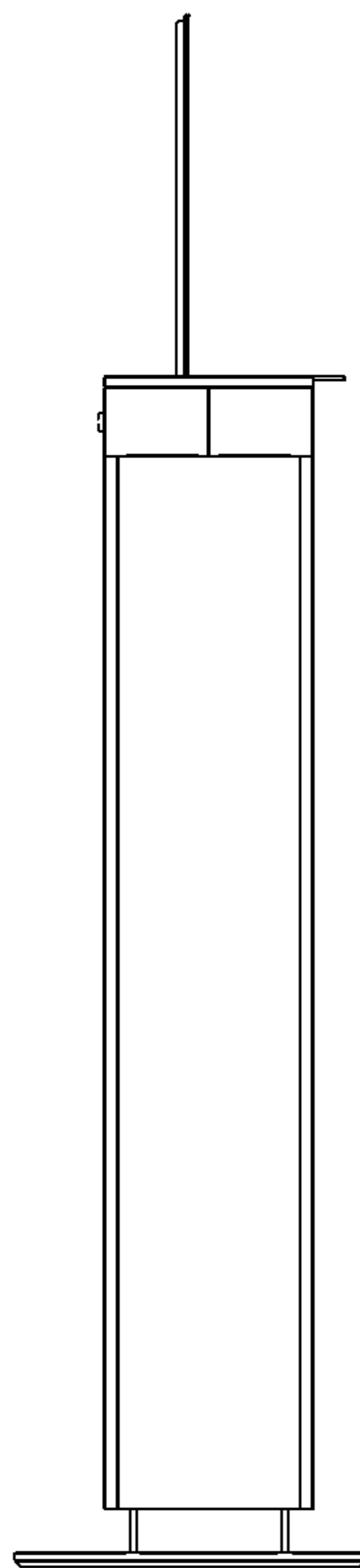
1.10



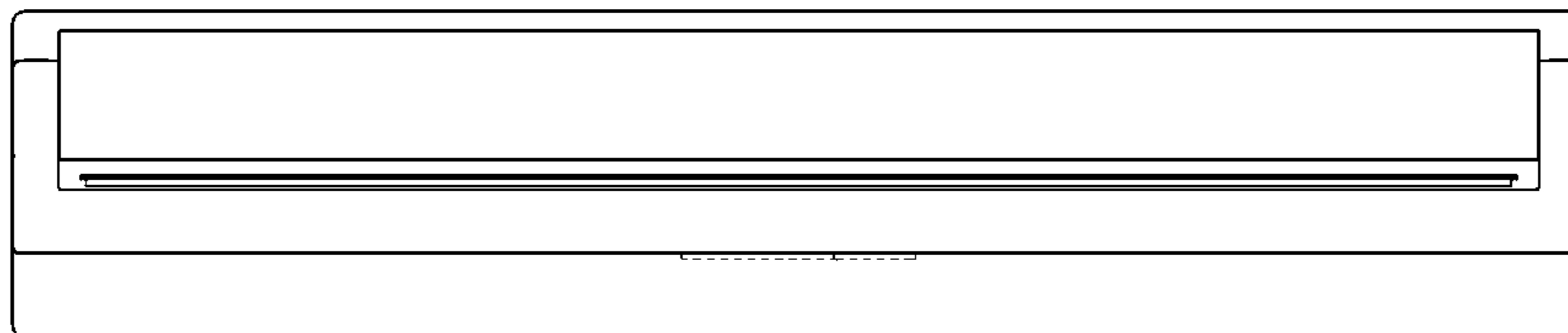
1.11



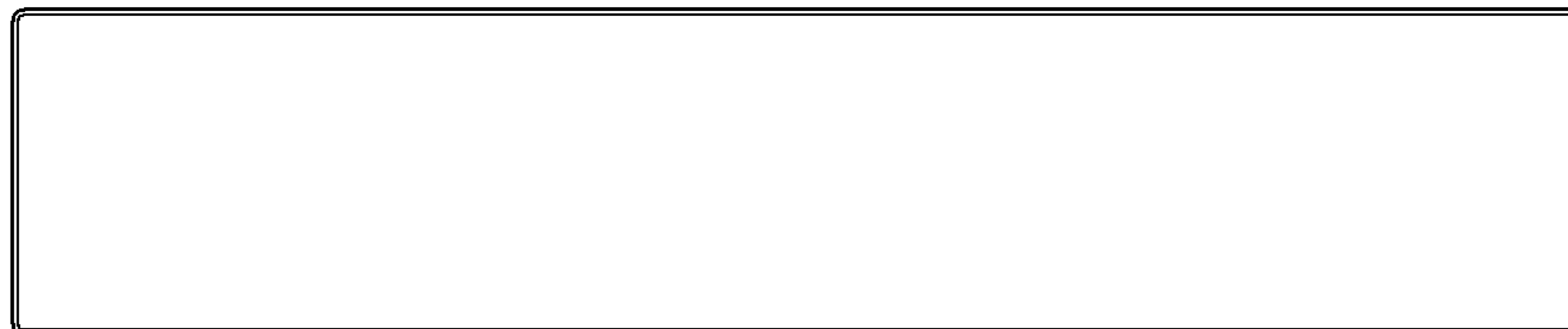
1.12



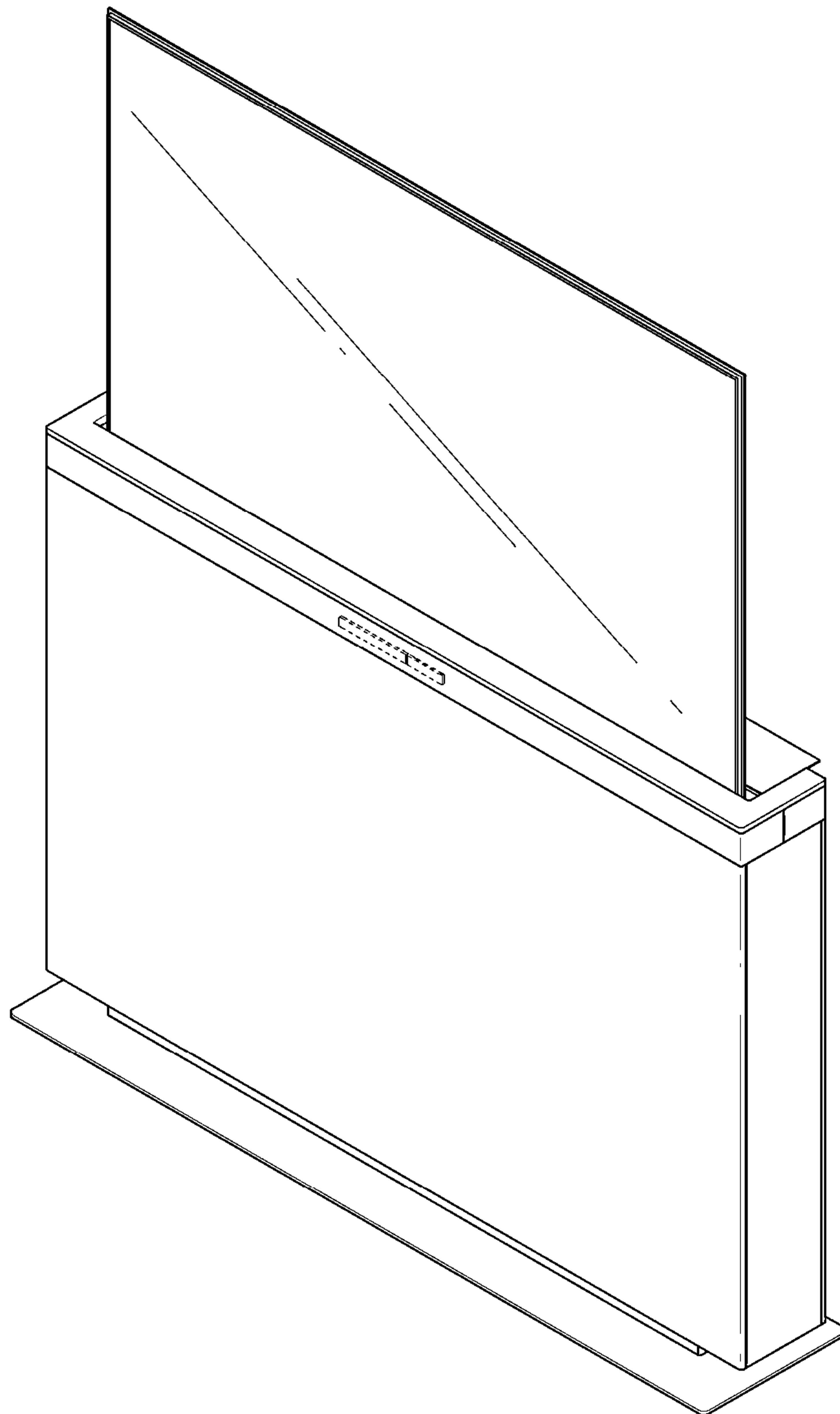
1.13



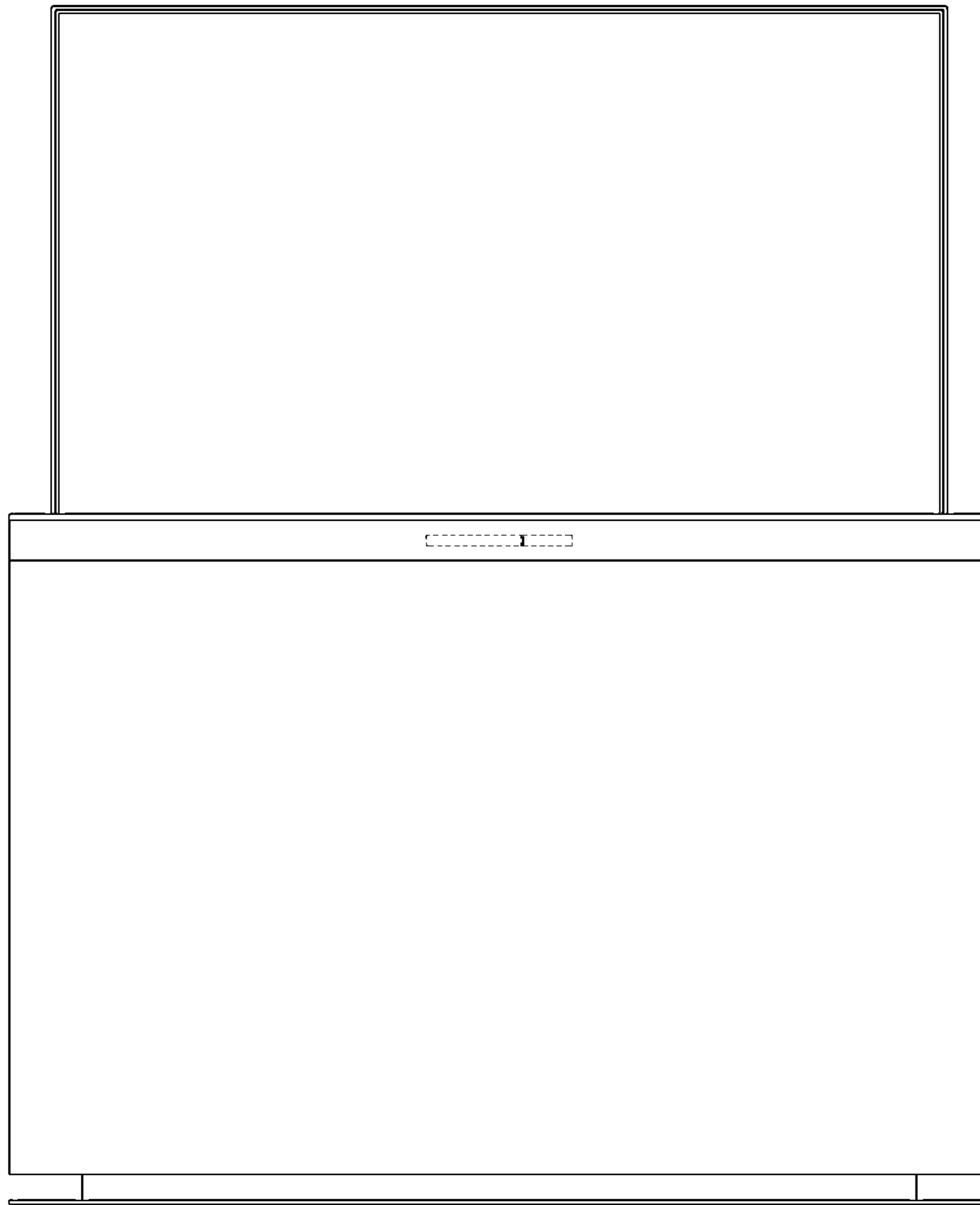
1.14



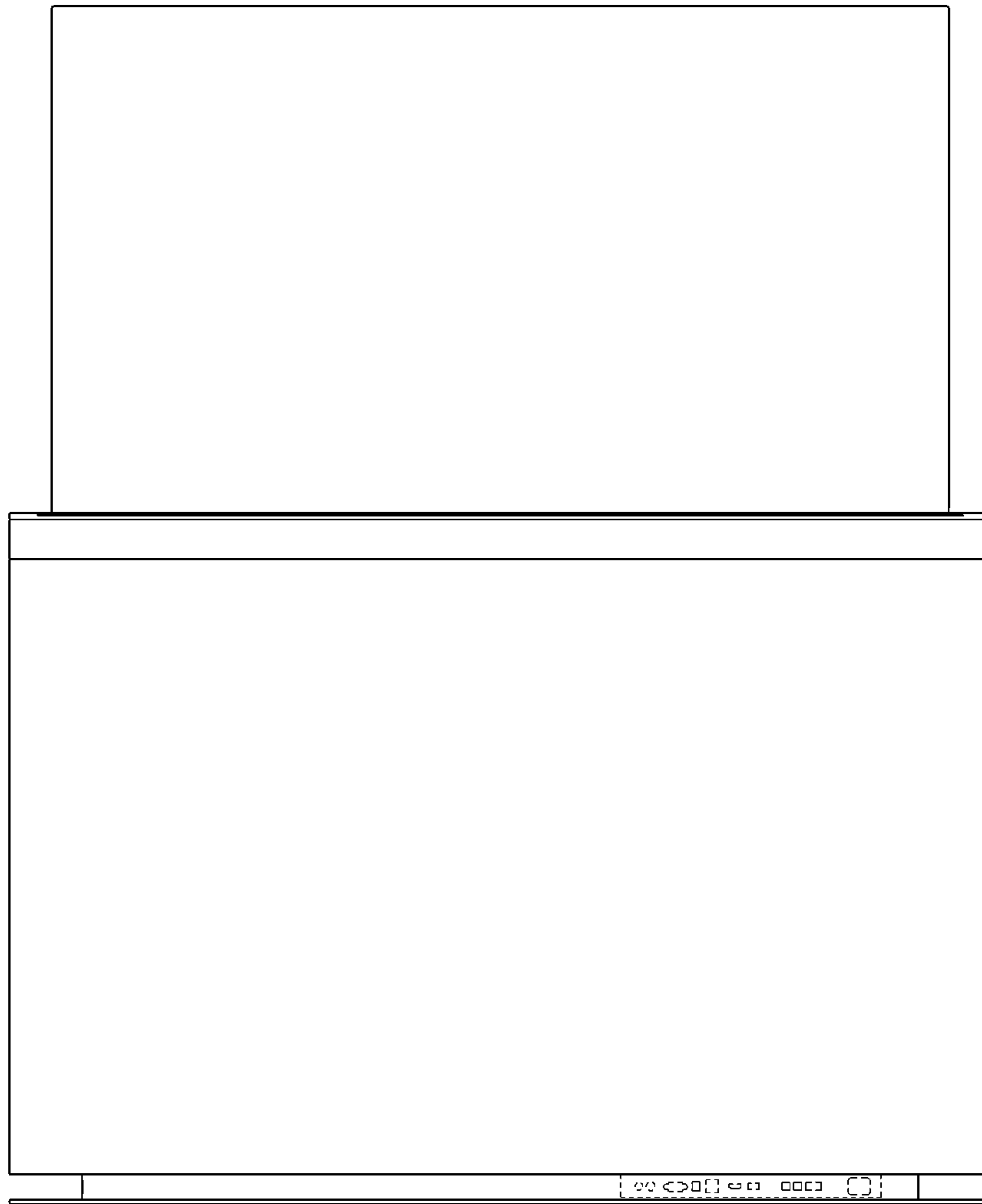
1.15



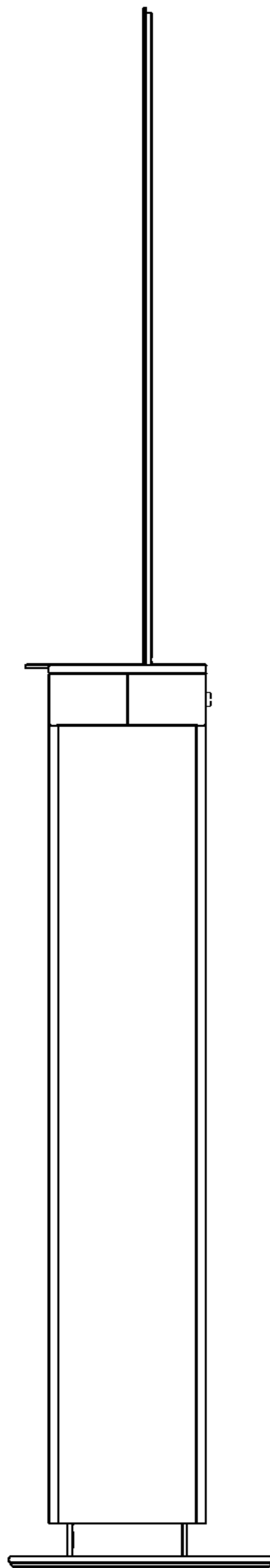
1.16



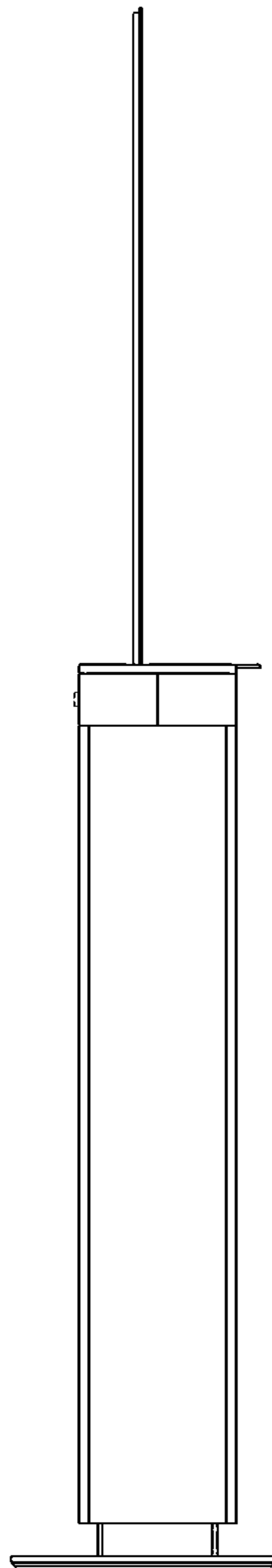
1.17



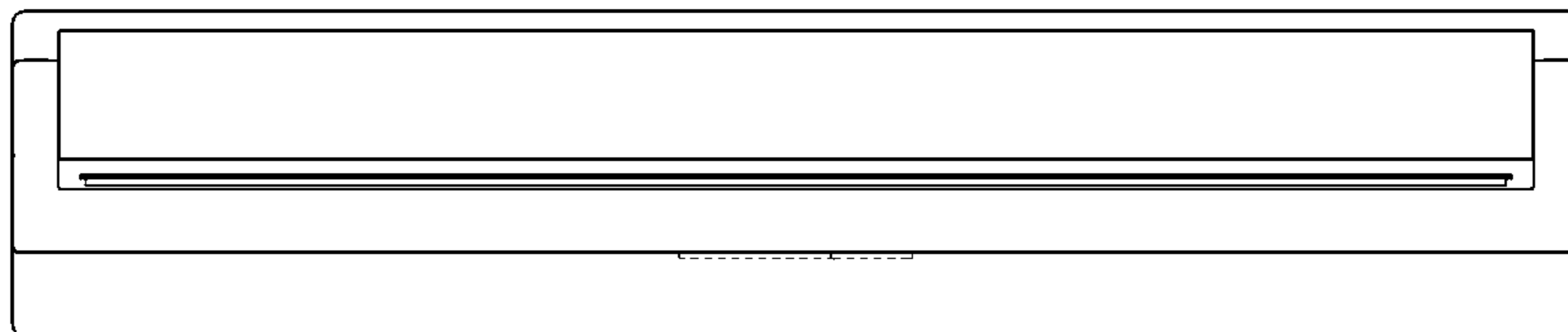
1.18



1.19



1.20



1.21

