



US00D983760S

(12) **United States Design Patent**  
**Schroder et al.**

(10) **Patent No.:** **US D983,760 S**  
(45) **Date of Patent:** **\*\* Apr. 18, 2023**

(54) **INTERFACE PROTECTION DEVICE**

(71) Applicant: **Robroy Enclosures, Inc.**, Belding, MI (US)

(72) Inventors: **Roger A. Schroder**, Greenville, MI (US); **Jeffrey W. Hall**, Pierson, MI (US)

(73) Assignee: **Robroy Enclosures, Inc.**, Belding, MI (US)

(\*\*) Term: **15 Years**

(21) Appl. No.: **29/802,683**

(22) Filed: **Aug. 6, 2021**

(51) **LOC (14) Cl.** ..... **13-99**

(52) **U.S. Cl.**  
USPC ..... **D13/184**

(58) **Field of Classification Search**  
USPC ..... D13/158, 159, 160, 161, 162, 184, 199;  
200/43.14, 50.01-50.23, 51 R, 293, 400,  
200/401; 361/42, 44, 45, 50, 71, 115,  
361/608, 634, 736  
CPC ..... H02B 1/40; H02B 1/00  
See application file for complete search history.

(56) **References Cited**

**U.S. PATENT DOCUMENTS**

3,733,436 A	5/1973	Rose	
D256,119 S	7/1980	Klemm	
4,569,572 A	2/1986	Kopoch	
D284,959 S *	8/1986	Berg	..... D13/184
4,633,324 A	12/1986	Giulie	

(Continued)

**OTHER PUBLICATIONS**

AttaBox. SolarShield™—New HMI Covers from AttaBox® Enclosures, <https://attabox.com/2022/07/22/solarshield-new-hmi-covers-from-attabox-enclosures-provide-the-ultimate-screen-protection-from-uv-and-damage-in-harsh-environments/>, Jul. 22, 2022, web (Year: 2022).\*

(Continued)

*Primary Examiner* — Keli L Hill  
*Assistant Examiner* — Harold E Blackwell, II  
(74) *Attorney, Agent, or Firm* — The Webb Law Firm

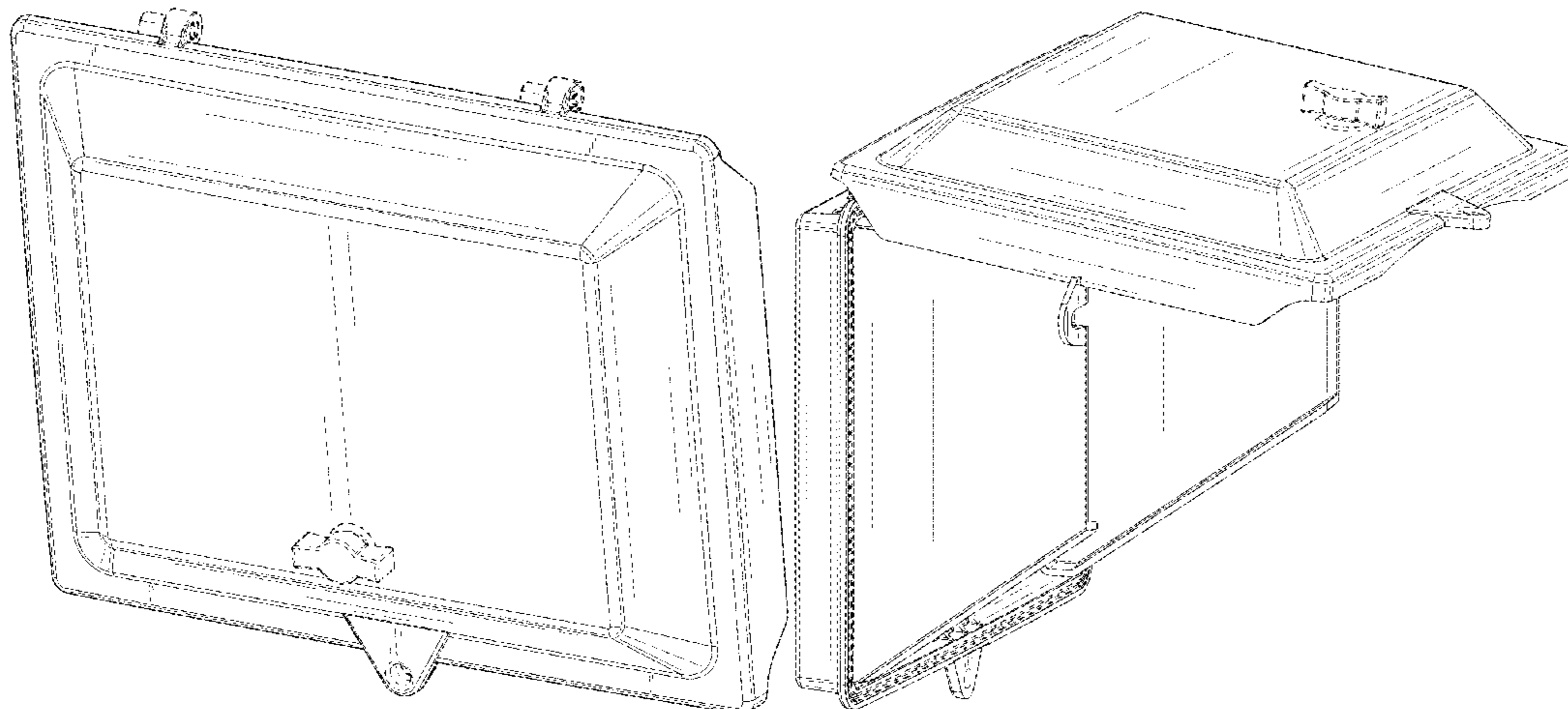
(57) **CLAIM**

The ornamental design for an interface protection device, as shown and described.

**DESCRIPTION**

FIG. 1 is an upper perspective view of an interface protection device showing my/our new design; FIG. 2 is a front elevation view thereof; FIG. 3 is a rear elevation view thereof; FIG. 4 is a left side elevation view thereof; FIG. 5 is a right side elevation view thereof; FIG. 6 is a top view thereof; FIG. 7 is a bottom view thereof; FIG. 8 is a cross-sectional view thereof taken along lines 8-8 shown in FIG. 2; FIG. 9 is an upper perspective view thereof in an open configuration, for convenience; FIG. 10 is a front elevation view thereof in the open configuration, for convenience; FIG. 11 is a rear elevation view thereof in the open configuration, for convenience; FIG. 12 is a left side elevation view thereof in the open configuration, for convenience; FIG. 13 is a right side elevation view thereof in the open configuration, for convenience; FIG. 14 is a top view thereof in the open configuration, for convenience; FIG. 15 is a bottom view thereof in the open configuration, for convenience; and, FIG. 16 is a cross-sectional view thereof in the open configuration, for convenience, taken along lines 16-16 shown in FIG. 10. The portions of the interface protection device shown in broken lines form no part of the claimed design.

**1 Claim, 14 Drawing Sheets**



(56)

References Cited

U.S. PATENT DOCUMENTS

4,863,242 A 9/1989 Correa  
 D311,912 S 11/1990 Schmidt  
 5,015,072 A 5/1991 Howell  
 5,115,345 A 5/1992 Hobson et al.  
 5,121,253 A 6/1992 Waintroob  
 5,218,474 A 6/1993 Kirschner  
 5,233,468 A 8/1993 McNulty  
 5,237,453 A 8/1993 Jones  
 5,243,463 A 9/1993 Waintroob  
 5,485,226 A 1/1996 Chipperfield  
 D375,730 S 11/1996 Chen  
 D376,350 S \* 12/1996 Worley ..... D13/184  
 D379,178 S 5/1997 Kane  
 D385,543 S 10/1997 Phirippidis et al.  
 5,717,566 A 2/1998 Tao  
 5,769,006 A \* 6/1998 Allaer ..... E05G 1/00  
 109/51  
 D408,015 S \* 4/1999 Faucher ..... D13/152  
 5,900,979 A 5/1999 Heller et al.  
 D411,753 S 6/1999 Jobin  
 5,997,145 A 12/1999 Mora  
 D423,478 S 4/2000 Feasey  
 D425,493 S \* 5/2000 Cutright ..... D13/184  
 6,084,711 A 7/2000 Duff  
 D431,536 S 10/2000 Feasey  
 6,144,418 A 11/2000 Kappel et al.  
 6,302,546 B1 10/2001 Kordiak  
 6,356,439 B1 3/2002 Schmidt  
 7,196,742 B2 3/2007 Skjellerup et al.  
 7,304,839 B1 12/2007 Burns  
 D586,350 S 2/2009 Matsui et al.  
 7,505,256 B2 3/2009 Boudreau

D604,254 S \* 11/2009 Lanfear ..... D13/184  
 7,611,252 B1 11/2009 Lin  
 D634,720 S \* 3/2011 Cheng ..... D13/184  
 D635,106 S \* 3/2011 Cheng ..... D13/184  
 D660,261 S \* 5/2012 Huang ..... D13/184  
 D668,983 S \* 10/2012 Manion ..... D13/184  
 8,328,372 B2 12/2012 Luo  
 8,405,908 B2 3/2013 Phillips et al.  
 8,451,180 B2 5/2013 Bonwit et al.  
 D702,198 S \* 4/2014 Gretz ..... D13/184  
 8,696,144 B2 4/2014 Luo  
 D704,244 S \* 5/2014 Ham ..... D16/237  
 D714,808 S \* 10/2014 Clark ..... D14/449  
 D730,305 S \* 5/2015 Brunn ..... D13/184  
 9,478,152 B2 10/2016 Glowinski et al.  
 10,474,187 B2 11/2019 Schmidt et al.  
 D877,155 S \* 3/2020 Law ..... D14/449  
 10,963,010 B1 3/2021 Griffin  
 D944,795 S \* 3/2022 Xiong ..... D14/371  
 D961,536 S \* 8/2022 Xiong ..... D14/371  
 D967,119 S \* 10/2022 Kim ..... D14/449  
 2003/0231399 A1 12/2003 Leitao  
 2008/0197129 A1 \* 8/2008 Gosche ..... H05K 7/186  
 220/4.02  
 2009/0268300 A1 10/2009 Dai et al.  
 2011/0134534 A1 6/2011 Luo

OTHER PUBLICATIONS

Shade Aide brochure, Issue #04-06-816, at least as early as Jul. 2019, pp. 1-8, accessed at [https://files.smithandloveless.com/parts\\_catalogs/parts\\_catalog\\_shadeaide\\_812.pdf](https://files.smithandloveless.com/parts_catalogs/parts_catalog_shadeaide_812.pdf).

\* cited by examiner

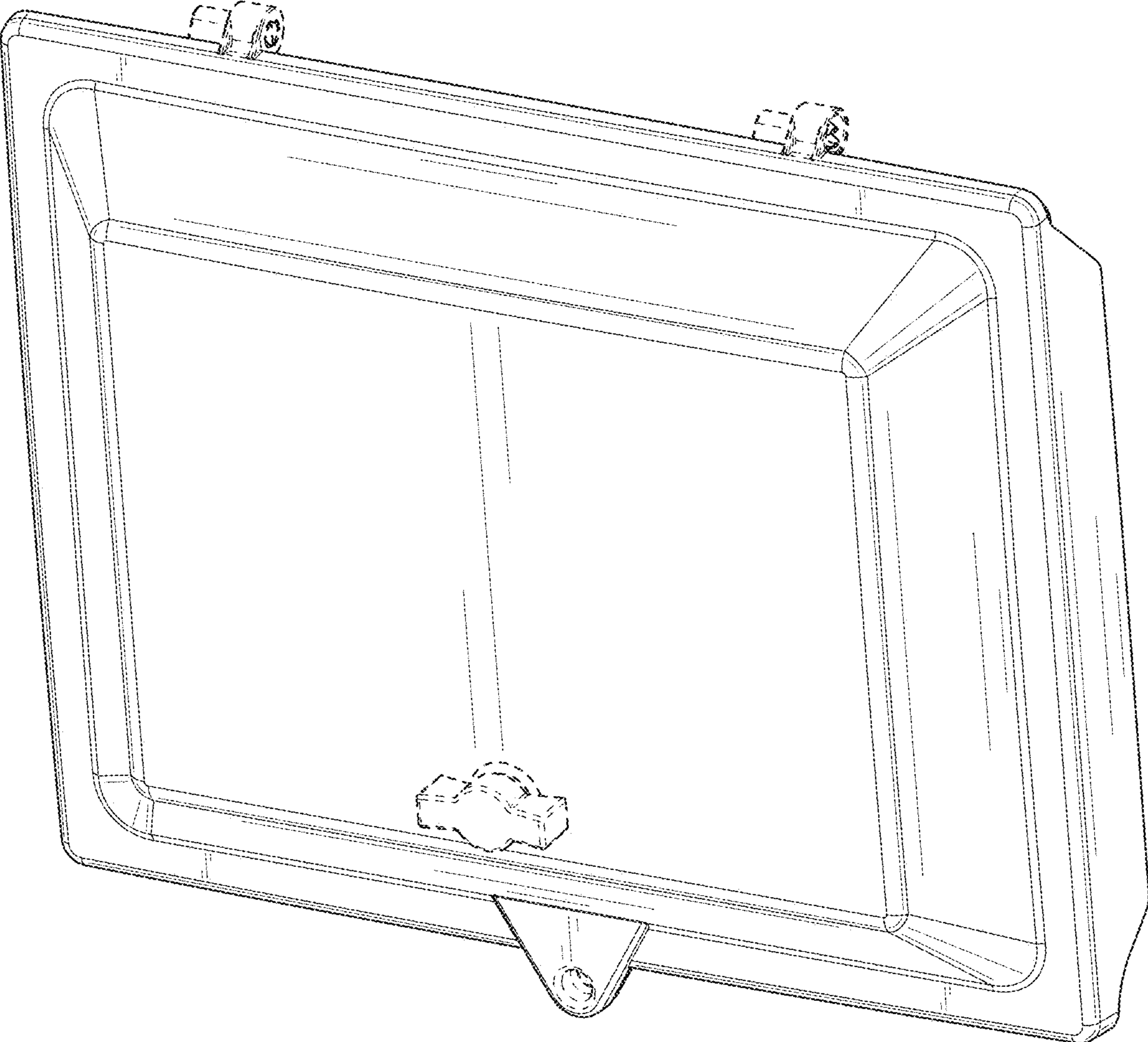


FIG. 1

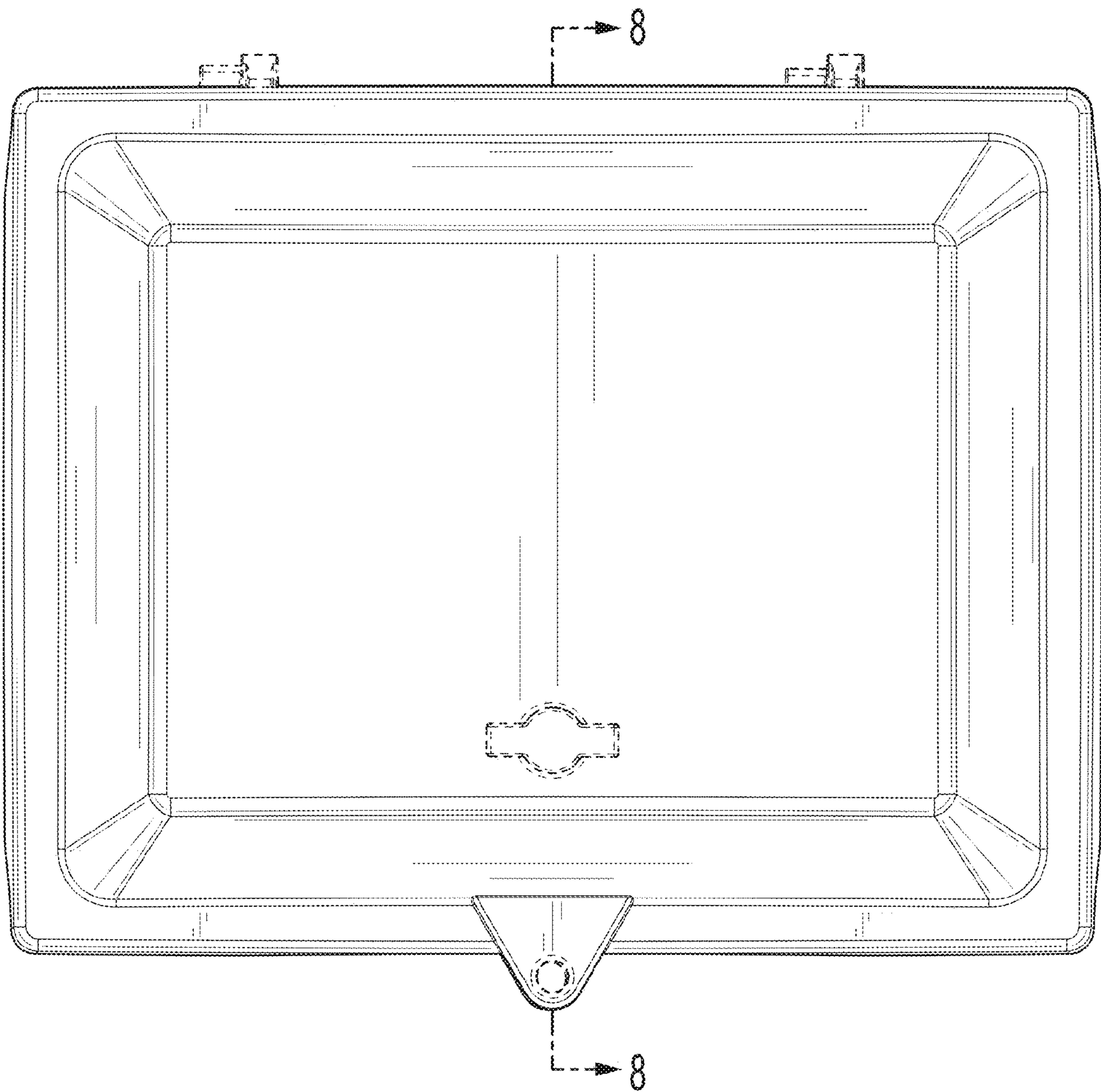


FIG. 2

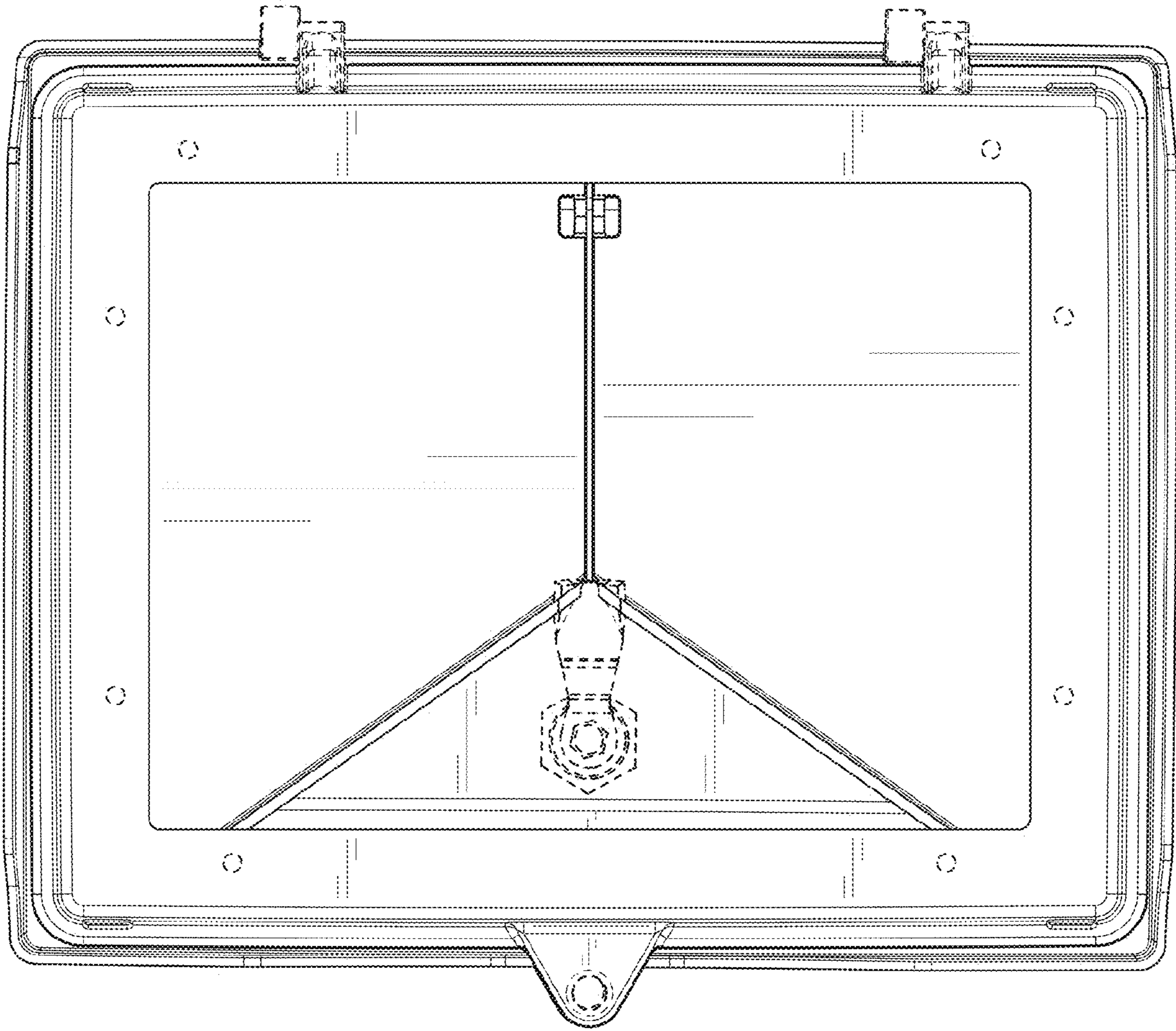


FIG. 3

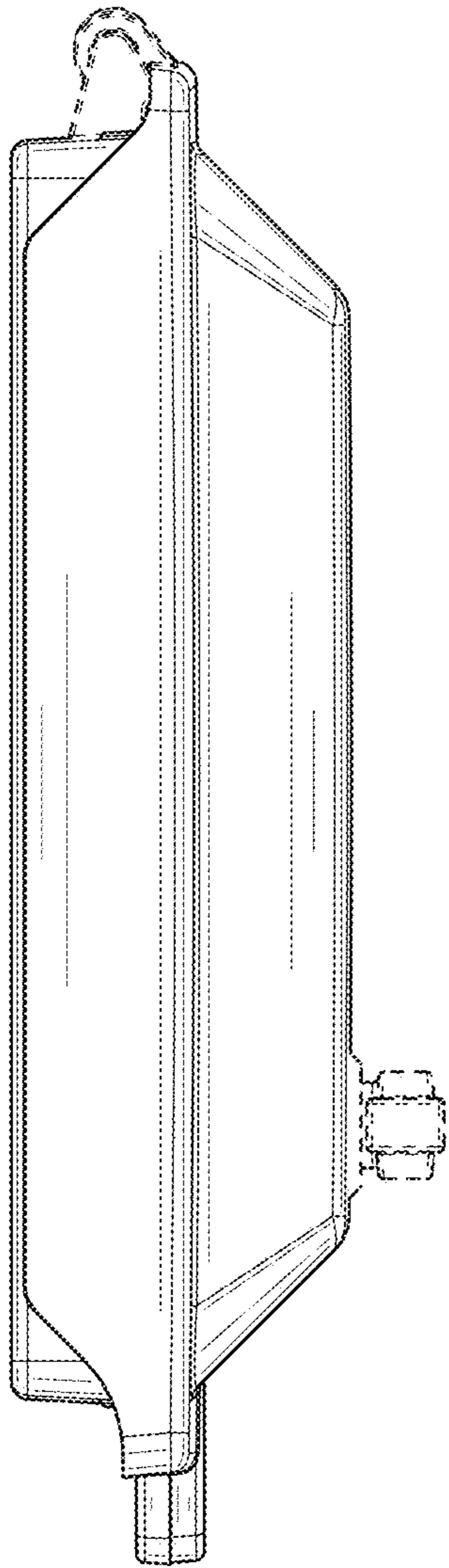


FIG. 4

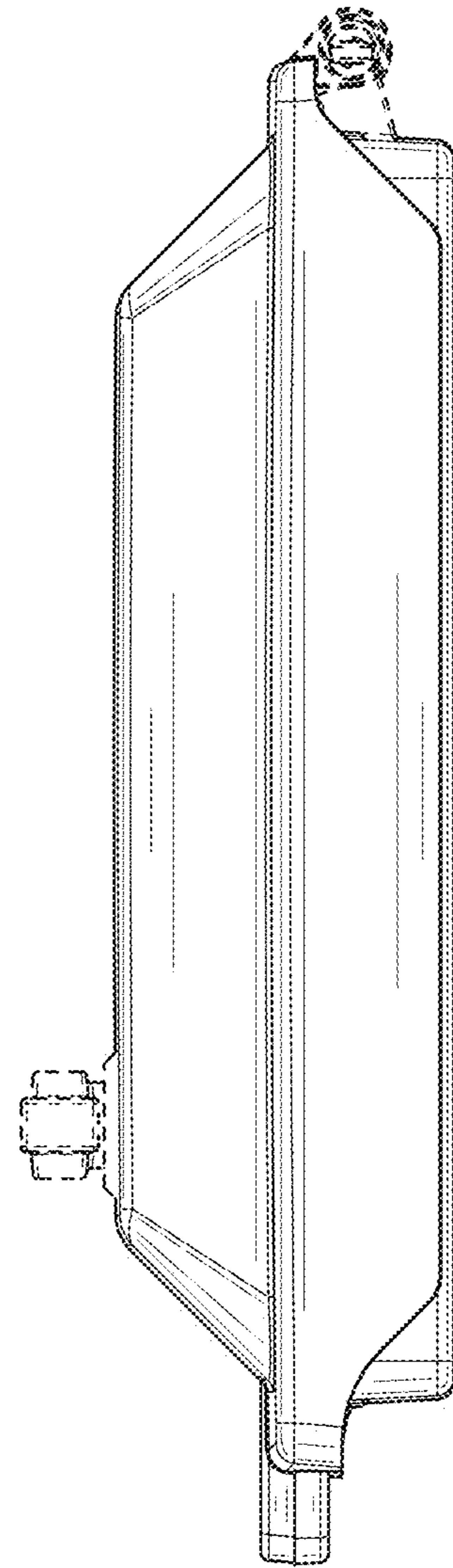


FIG. 5

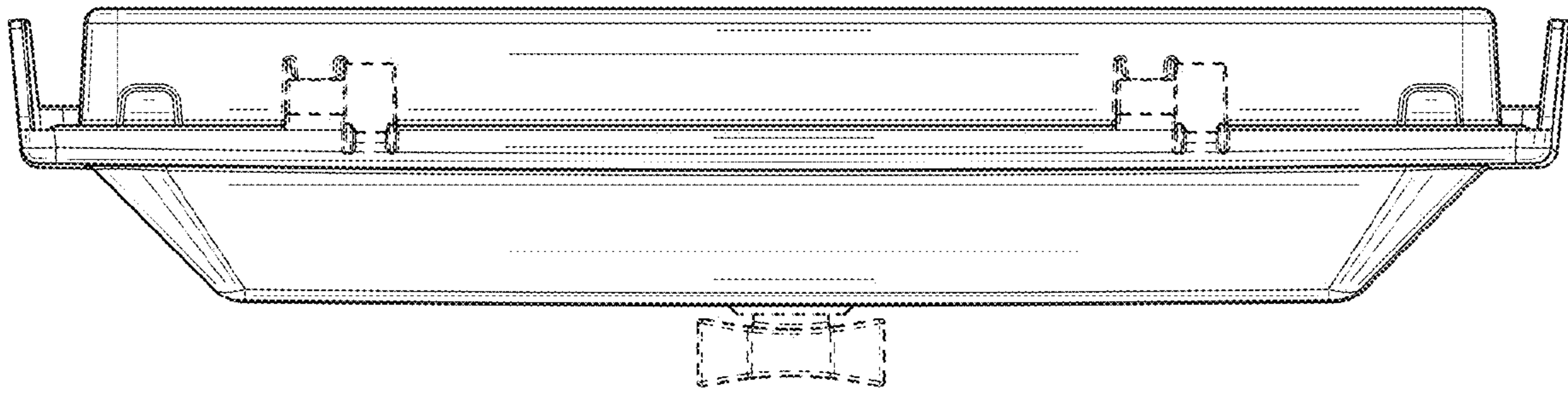


FIG. 6

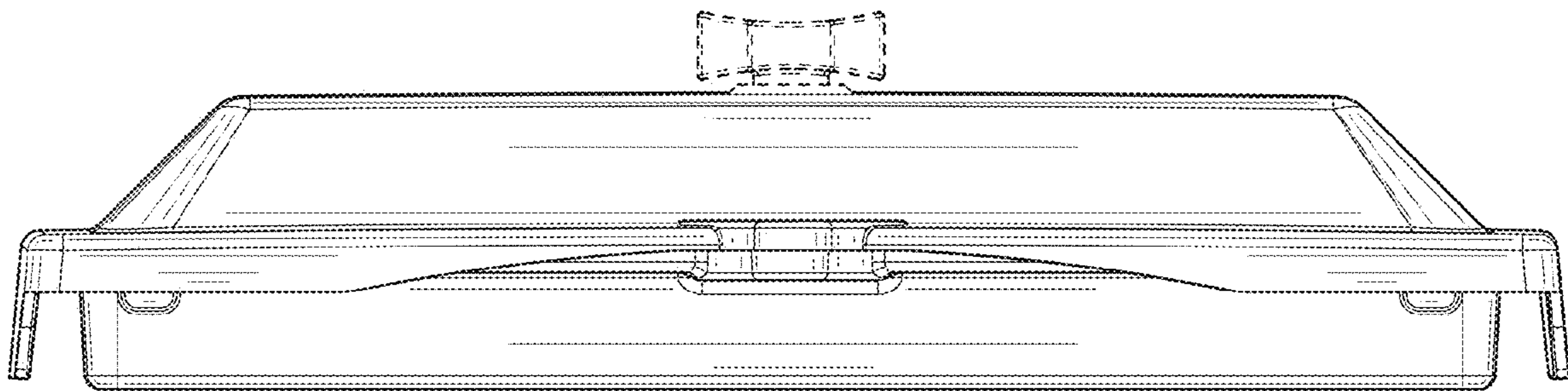


FIG. 7

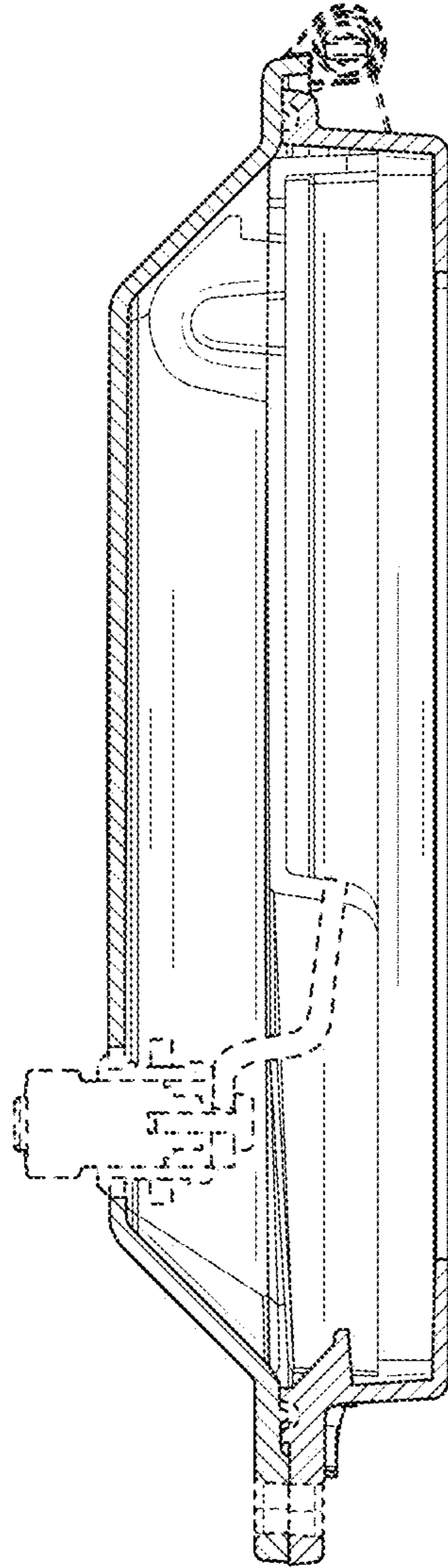


FIG. 8



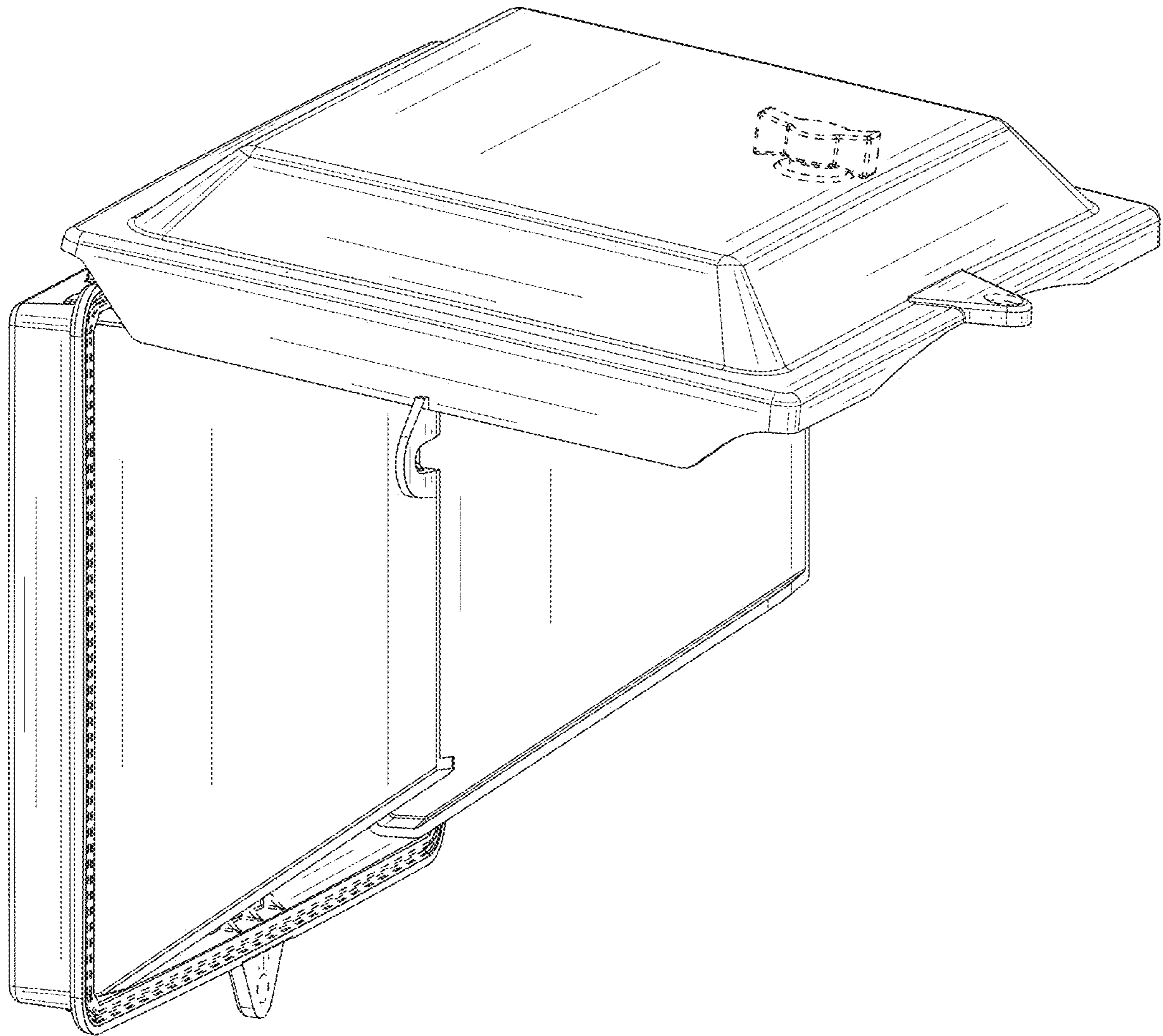


FIG. 9

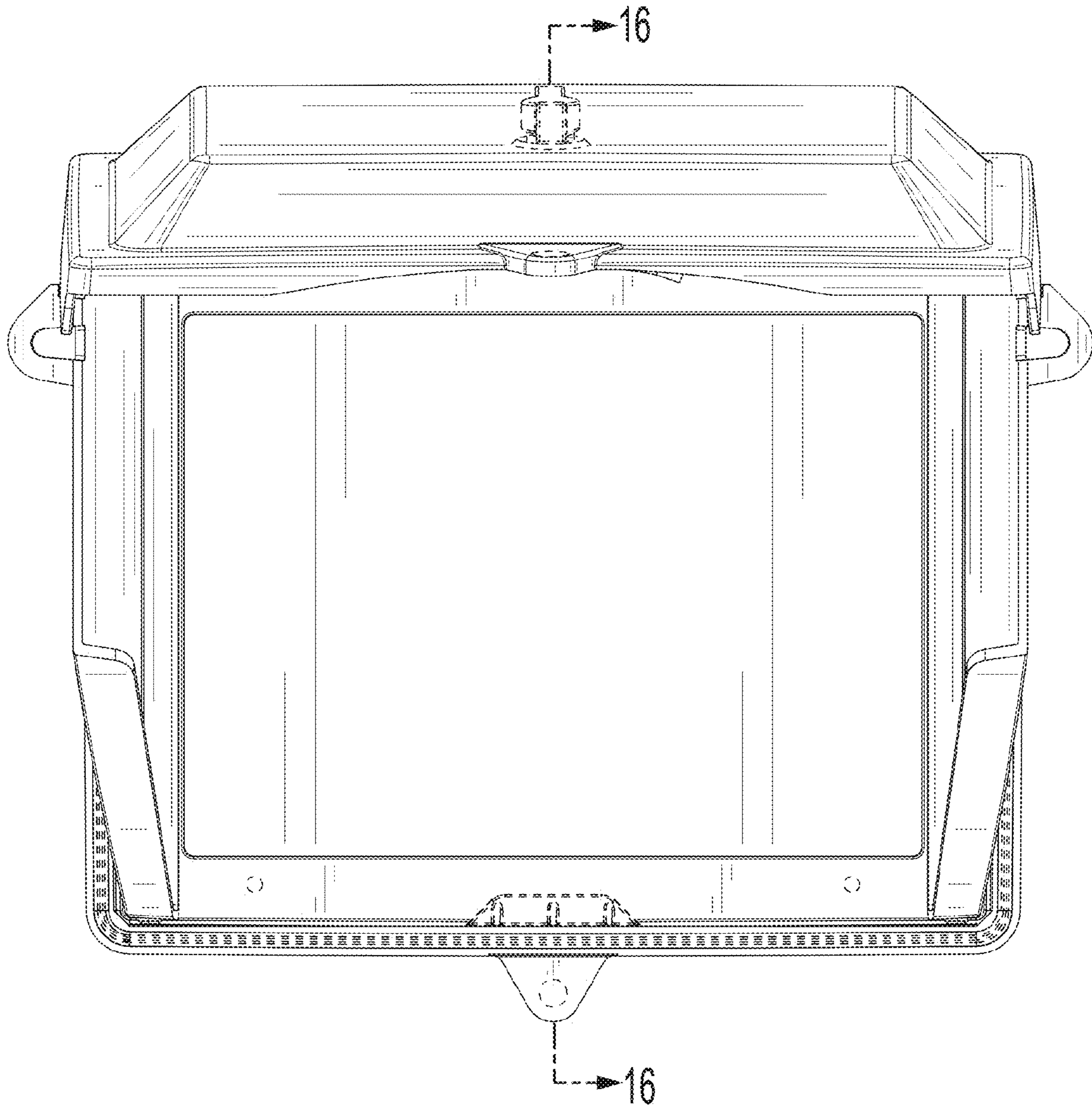


FIG. 10

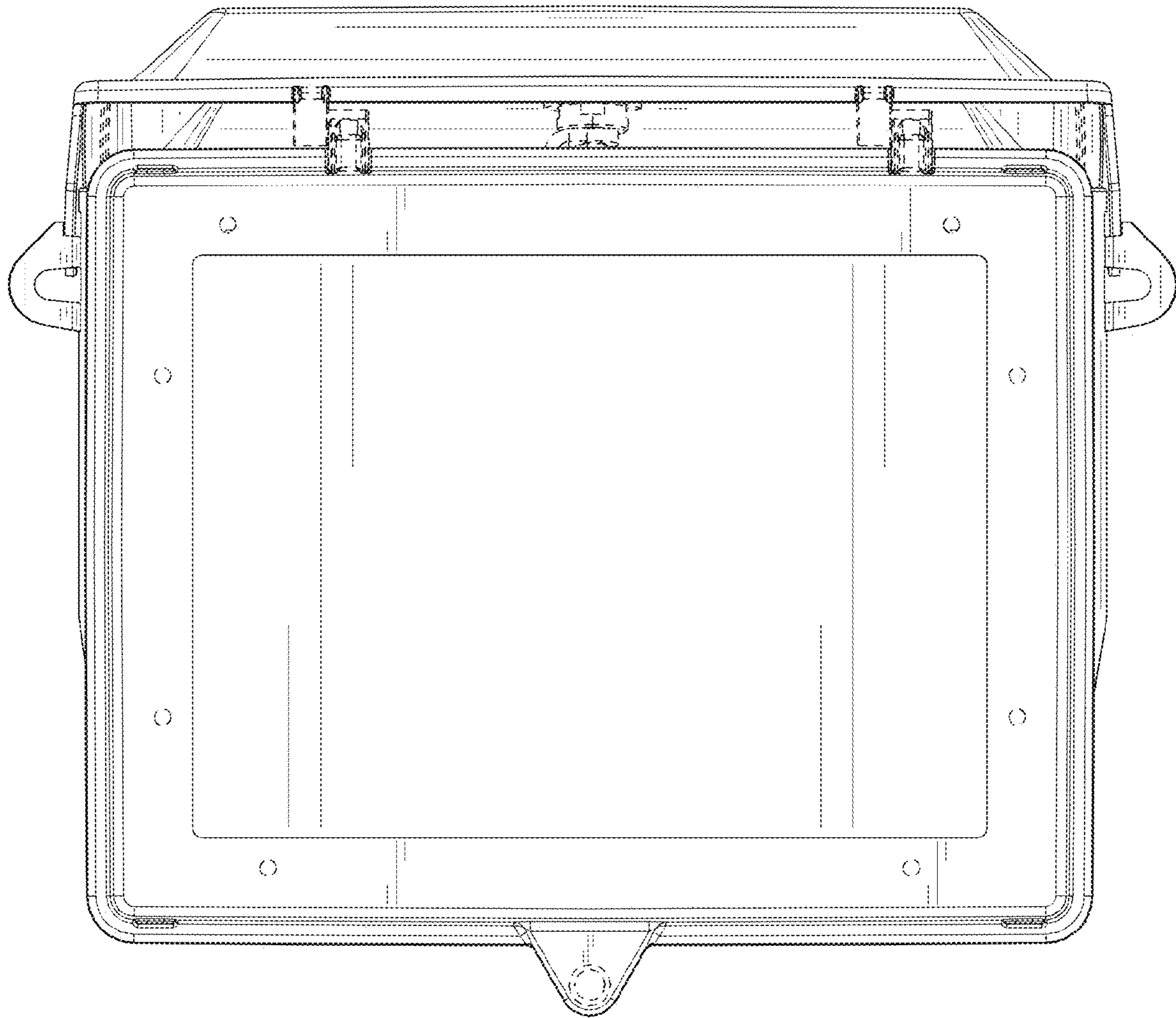


FIG. 11

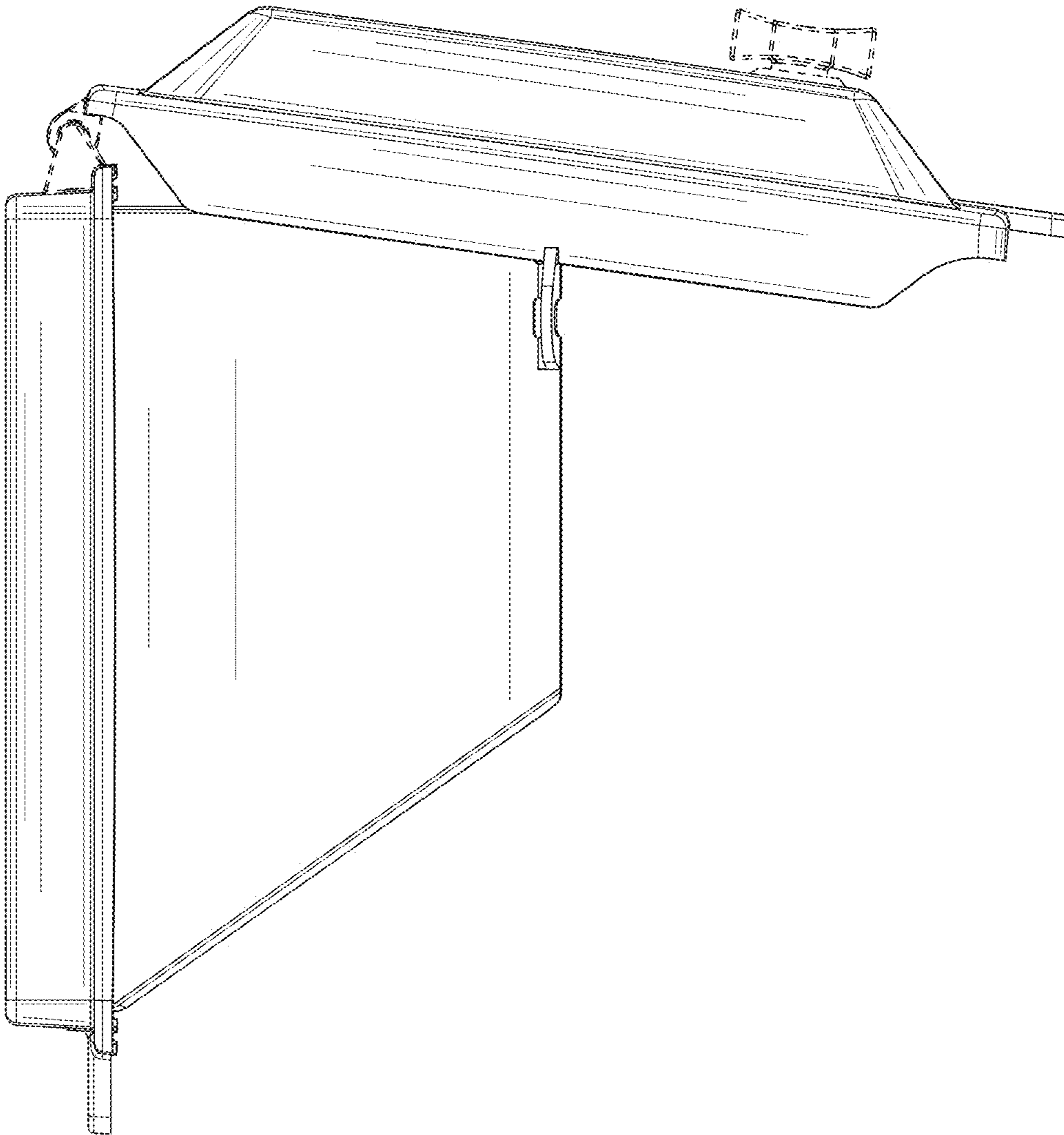


FIG. 12

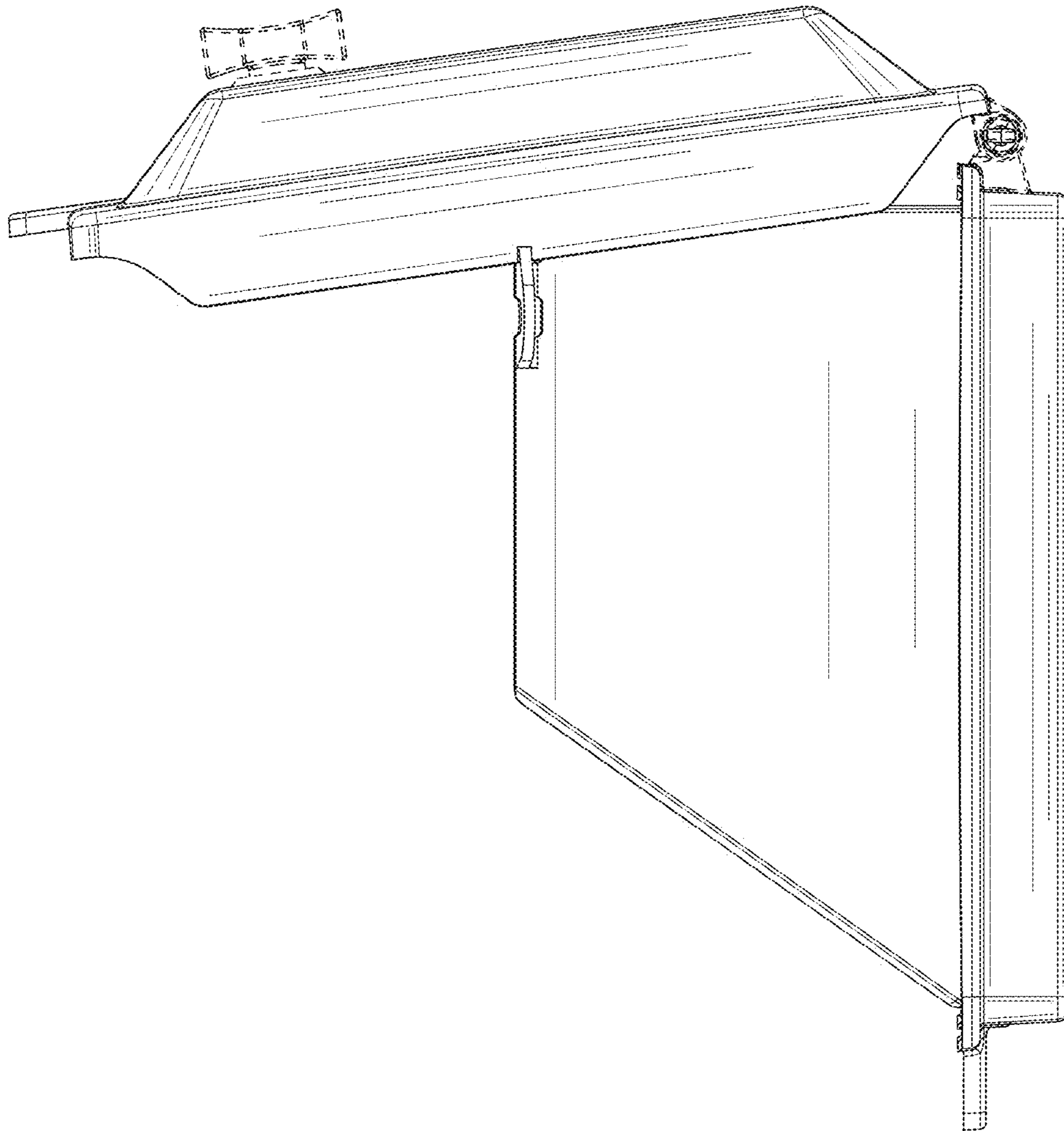


FIG. 13

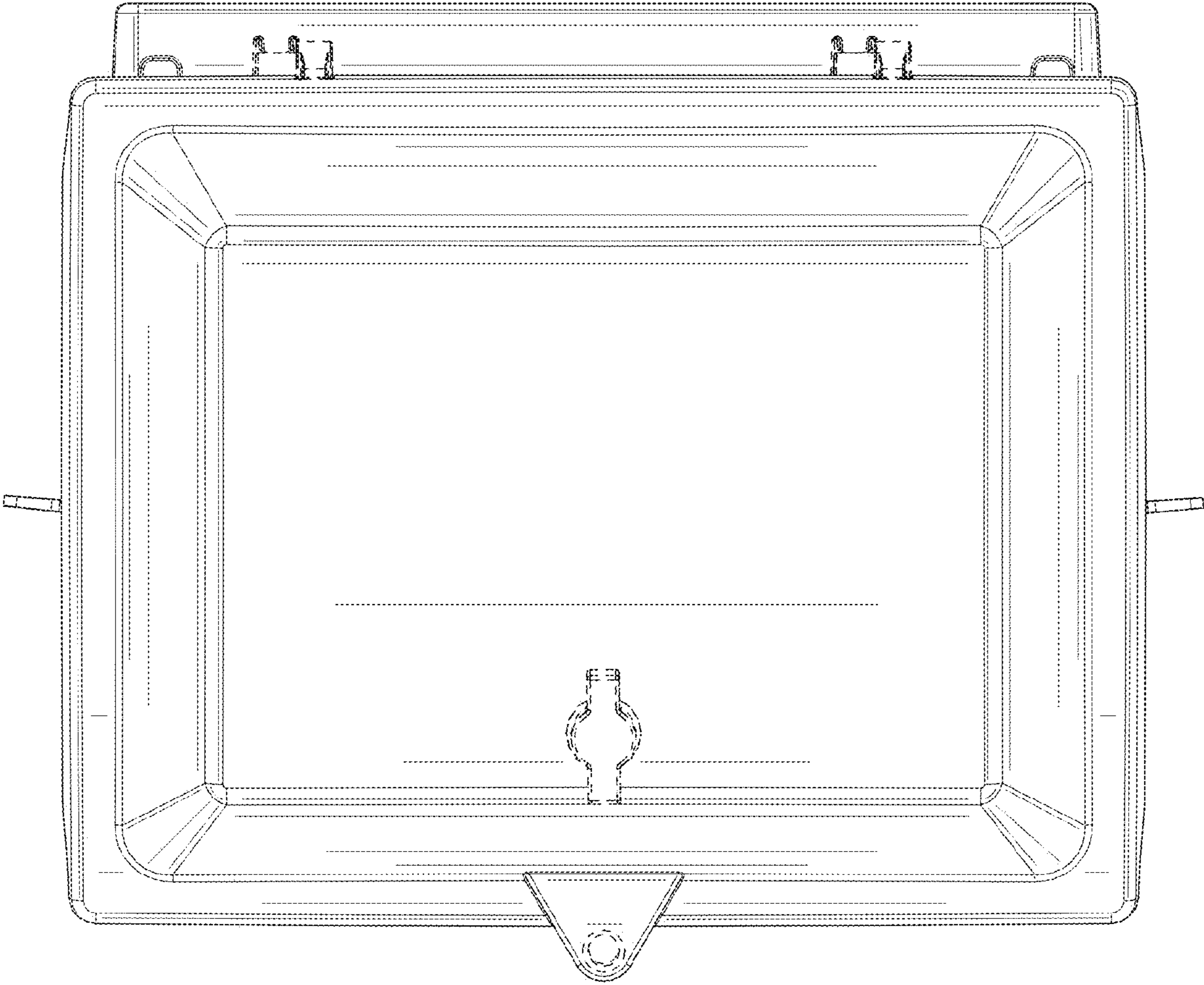


FIG. 14

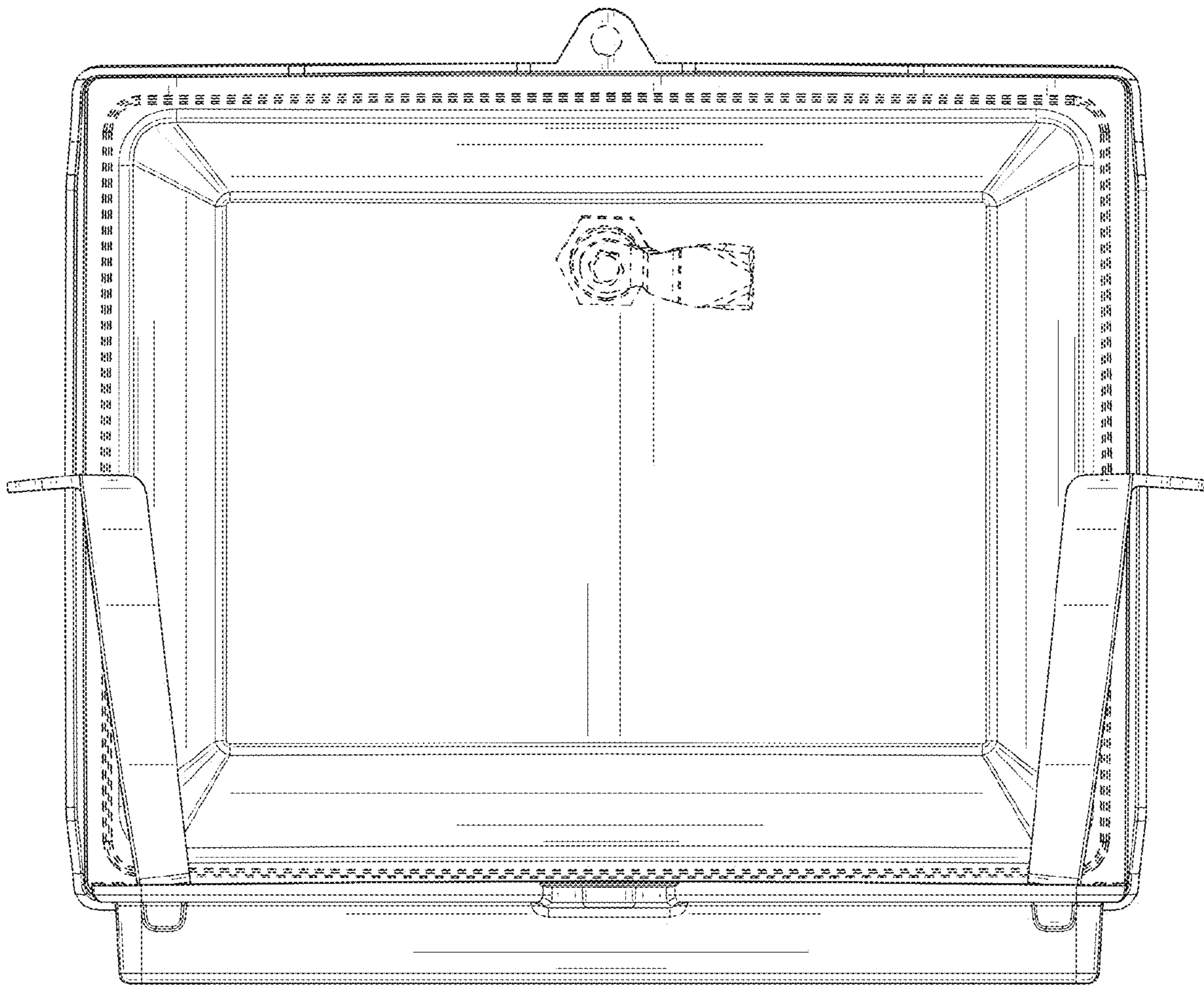


FIG. 15

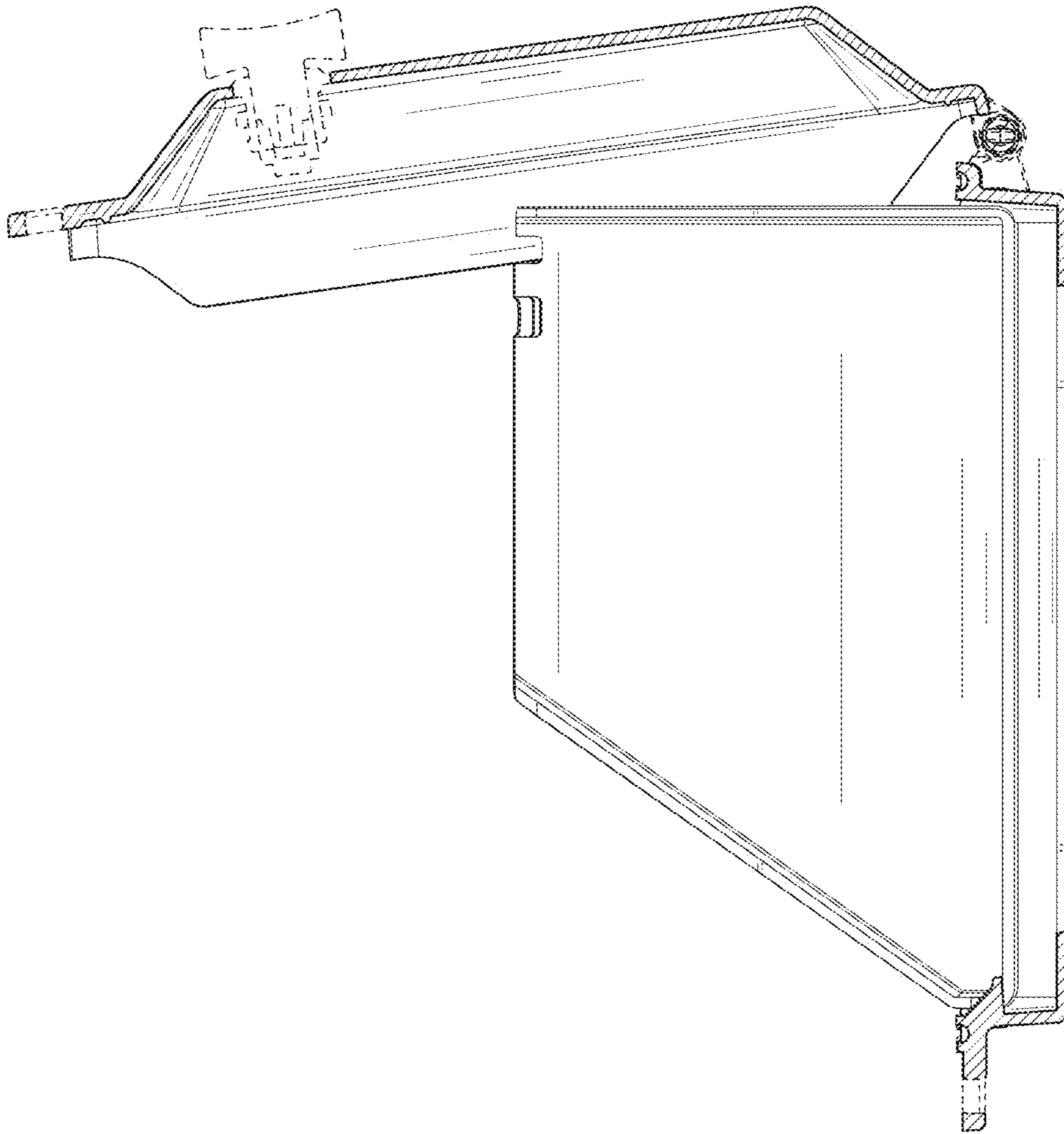


FIG. 16