



US00D983758S

(12) **United States Design Patent**
Xiang

(10) **Patent No.:** **US D983,758 S**

(45) **Date of Patent:** **** Apr. 18, 2023**

- (54) **HEATING PAD CONTROLLER**
- (71) Applicant: **SHENZHEN XINAN TEXTILE CO., LTD**, Shenzhen (CN)
- (72) Inventor: **Jialing Xiang**, Shenzhen (CN)
- (73) Assignee: **SHENZHEN XINAN TEXTILE CO., LTD**, Shenzhen (CN)

- D912,671 S * 3/2021 Xu D14/218
- D922,335 S * 6/2021 Lu D13/168
- D947,794 S * 4/2022 Tan D10/49
- D954,660 S * 6/2022 Shao D13/168
- D964,966 S * 9/2022 O'Leary D14/218
- D975,051 S * 1/2023 Treski D14/218
- D976,850 S * 1/2023 Li D13/168

(Continued)

(**) Term: **15 Years**

(21) Appl. No.: **29/821,101**

(22) Filed: **Dec. 28, 2021**

(51) **LOC (14) Cl.** **14-03**

(52) **U.S. Cl.**
USPC **D13/168**

(58) **Field of Classification Search**
USPC D13/162, 164, 168; D14/218; D10/49
CPC G08C 17/02; G08C 19/00; G08C 19/12;
G08C 19/28; G08C 23/04; H04B 1/202;
H05B 47/10; H05B 47/19; H05B 1/00;
H05B 1/0227; H05B 1/0272; H05B
3/342; H03J 9/00; H03J 9/02; H03J 9/04;
H03J 9/06; H03J 1/0025; H01H 9/0225;
H01H 9/0228; H01H 9/0235; A47C
31/008; A61G 13/02

See application file for complete search history.

(56) **References Cited**

U.S. PATENT DOCUMENTS

- D480,370 S * 10/2003 Kosumsuppamala D13/168
- D481,364 S * 10/2003 Kosumsuppamala D13/168
- D512,967 S * 12/2005 Kosumsuppamala D13/168
- 7,019,262 B1 * 3/2006 Lu H05B 1/0227
219/212
- D530,680 S * 10/2006 Fox D13/168
- D581,371 S * 11/2008 Richmond D13/168
- D633,447 S * 3/2011 Schaal D13/168
- D782,985 S * 4/2017 Mishan D13/168
- D793,995 S * 8/2017 Nakagawa D14/218

OTHER PUBLICATIONS

Amazon.com_ Wapaneus Foot Pocket Heated Blanket Electric Throw with 3 Heating Levels, Jul. 6, 2020; 3 pgs.*

(Continued)

Primary Examiner — Selina Sikder

(74) *Attorney, Agent, or Firm* — Nitin Kaushik

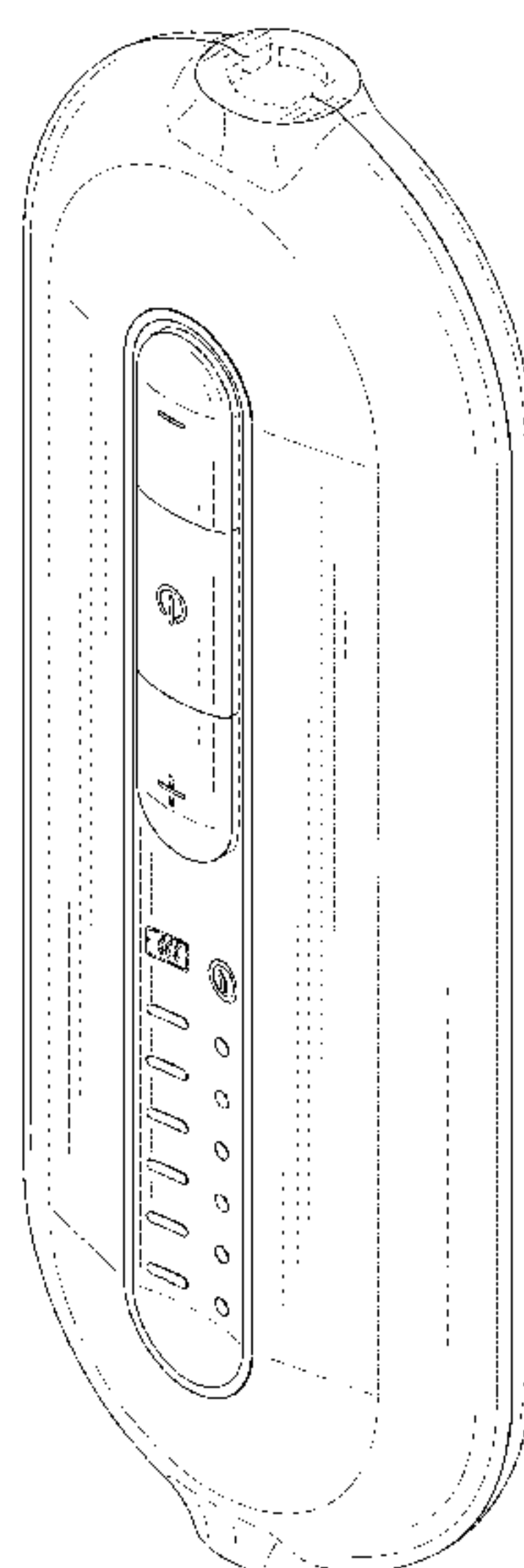
(57) **CLAIM**

The ornamental design for a heating pad controller, as shown and described.

DESCRIPTION

FIG. 1 is a perspective view of a heating pad controller showing my new design;
 FIG. 2 is another perspective view thereof;
 FIG. 3 is a front elevational view thereof;
 FIG. 4 is a rear elevational view thereof;
 FIG. 5 is a left side elevational view thereof;
 FIG. 6 is a right side elevational view thereof;
 FIG. 7 is a top plan view thereof;
 FIG. 8 is a bottom plan view thereof;
 FIG. 9 is a perspective view of the heating pad controller where the heating pad controller is in a first configuration of use; and,
 FIG. 10 is another perspective view thereof.
 The broken lines in the drawings depict environment of the heating pad controller that form no part of the claimed design.

1 Claim, 10 Drawing Sheets



(56)

References Cited

U.S. PATENT DOCUMENTS

2013/0270254 A1* 10/2013 Morgandi F24D 19/1096
219/494
2016/0286965 A1* 10/2016 Koch A47C 7/748
2020/0003487 A1* 1/2020 Brown F25D 3/06
2021/0219622 A1* 7/2021 Parrott G01F 1/688

OTHER PUBLICATIONS

Amazon.com_ Yokimisu Heated Electric Blanket Dual Control,
Oct. 7, 2022, 3 pgs.*

Amazon.com_ Evajoy XL Electric Heating Pad for Back Neck
Shoulder Cramps. Sep. 13, 2022; 2 pgs.*

Amazon.com_ Sunbeam Heating Pad for Back, Neck, and Shoulder
Pain Relief, Mar. 1, 2021, 3 pgs.*

* cited by examiner

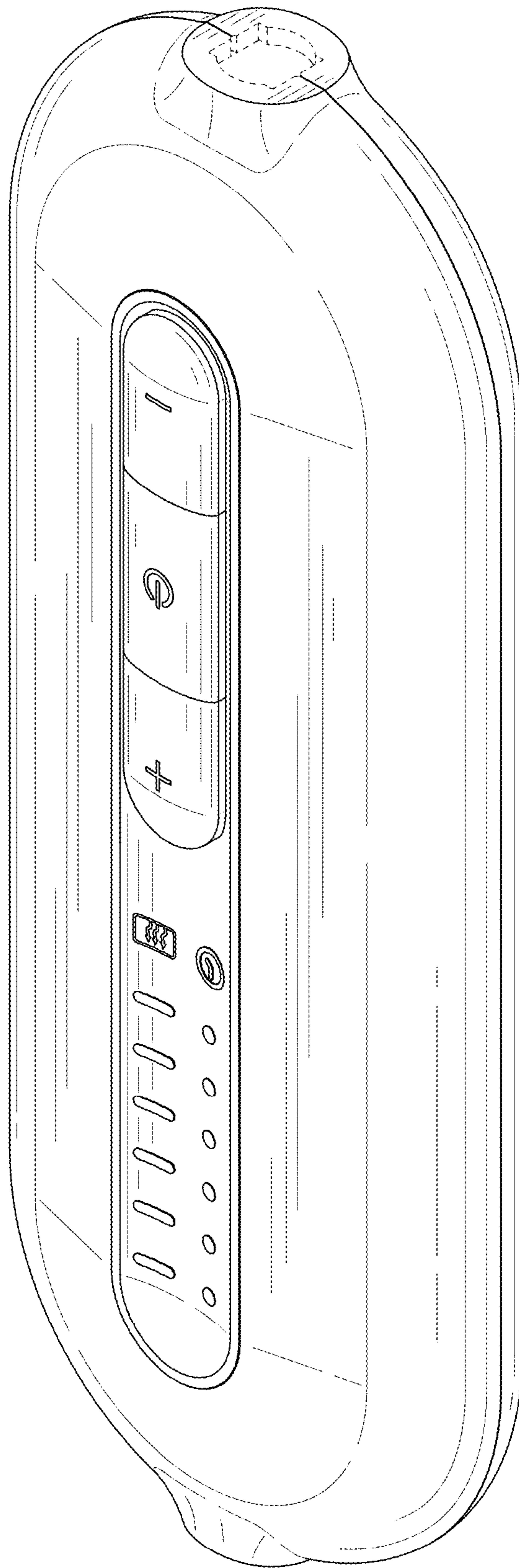


FIG. 1

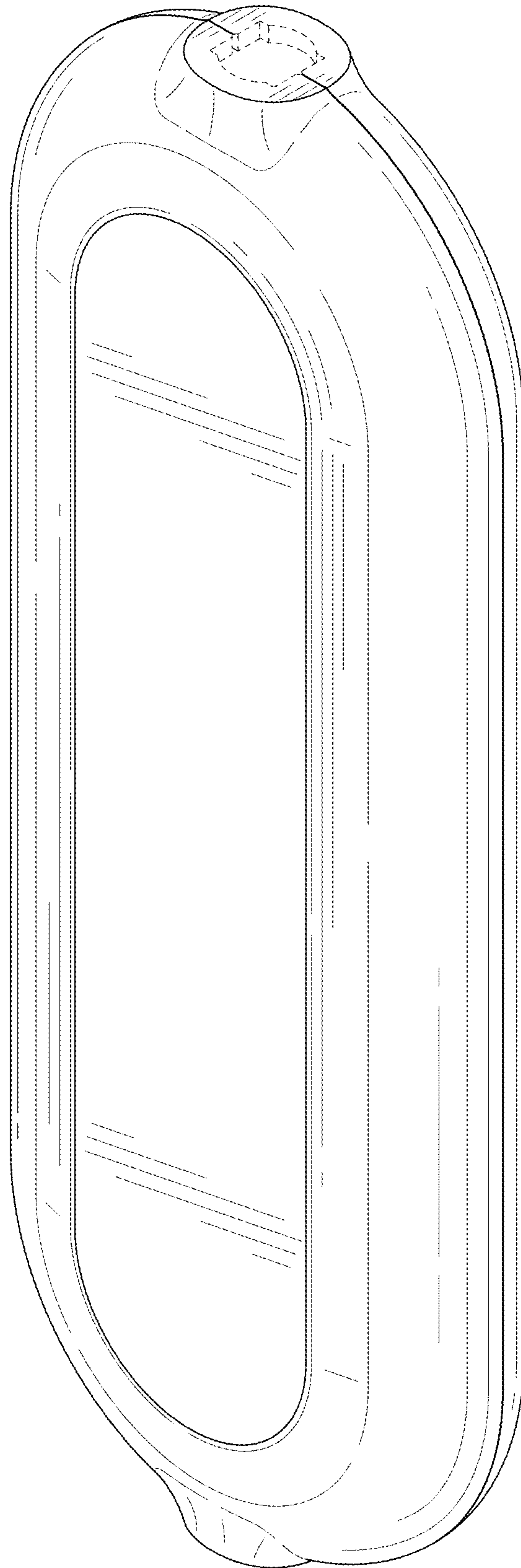


FIG. 2

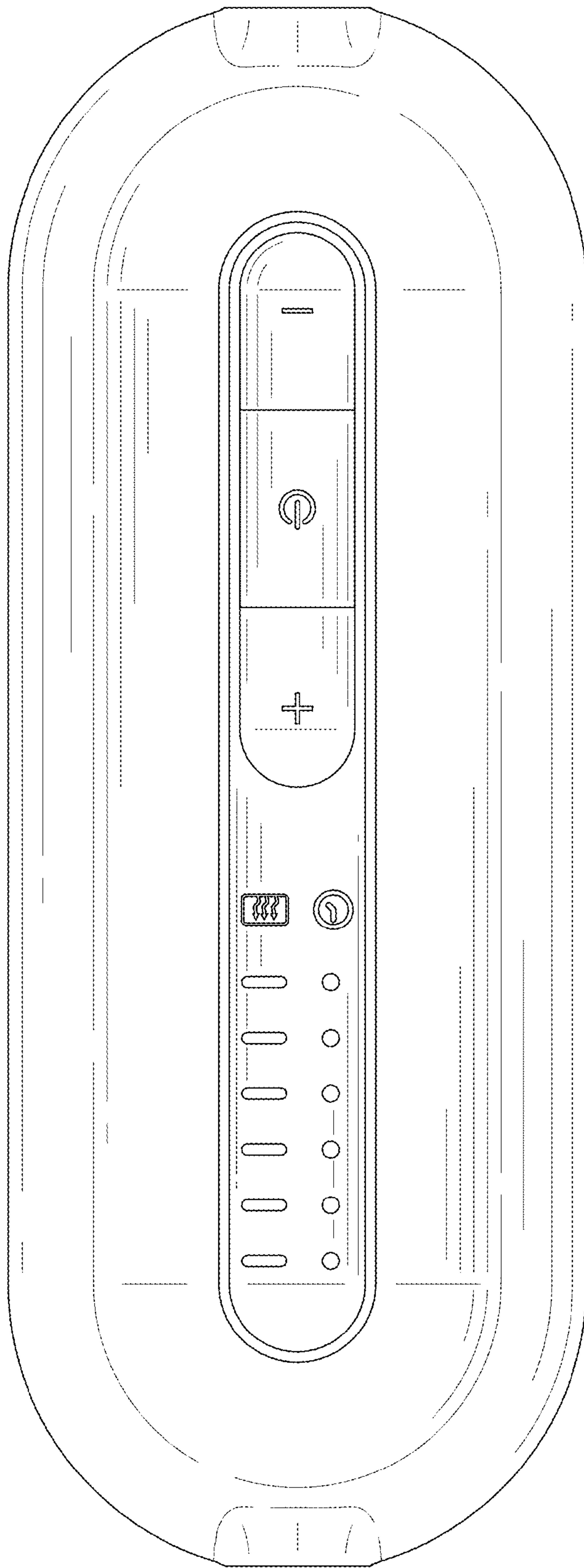


FIG. 3

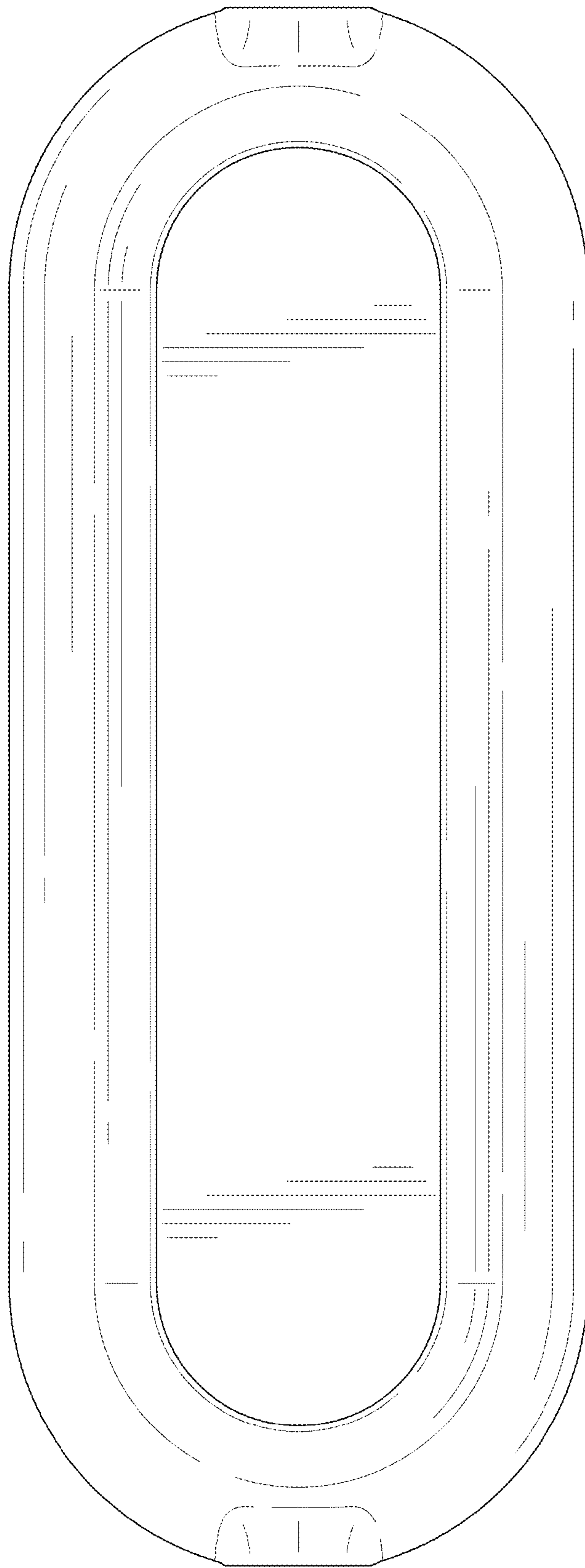


FIG. 4

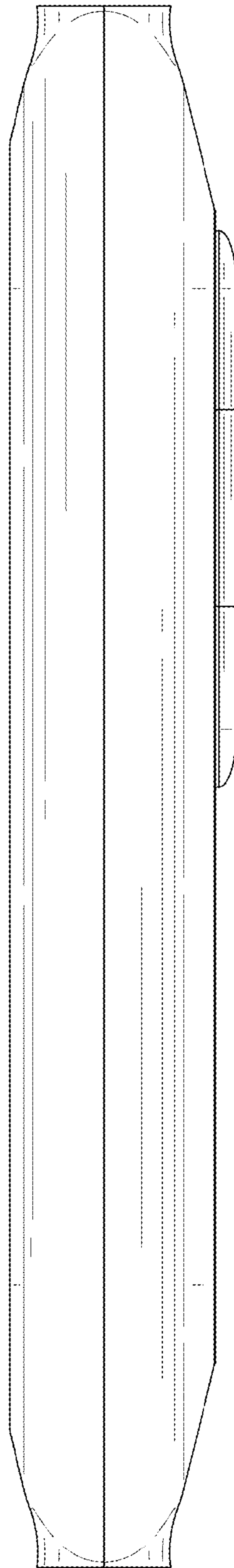


FIG. 5

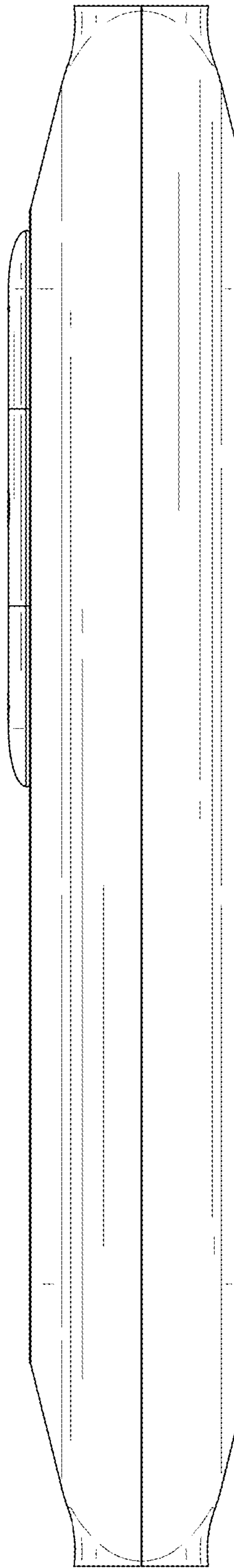


FIG. 6

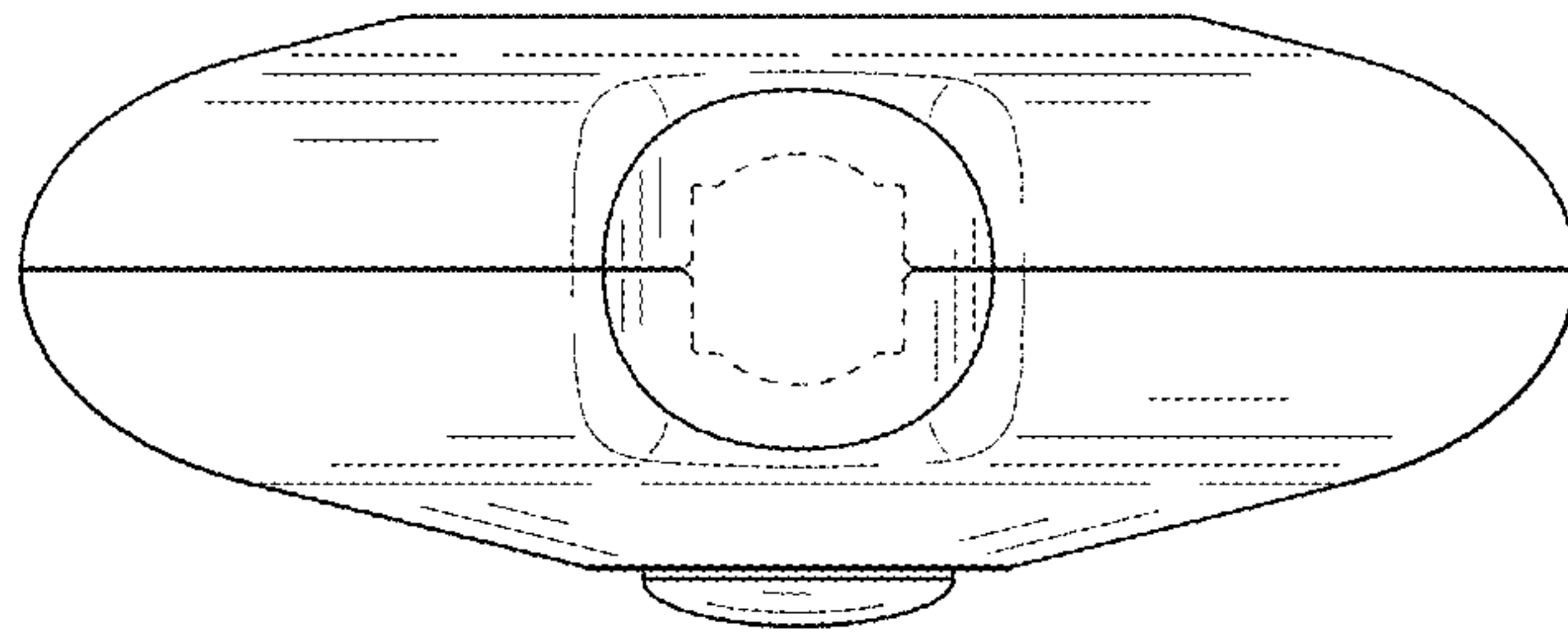


FIG. 7

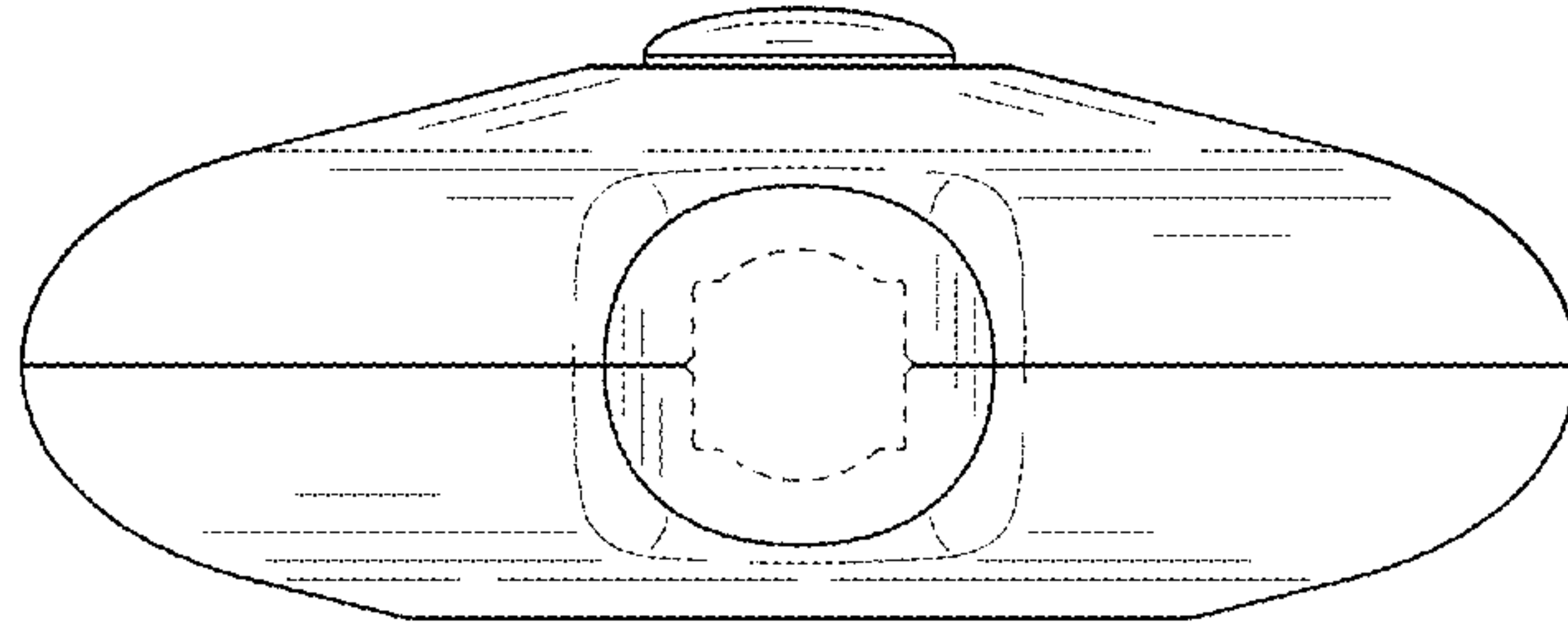


FIG. 8

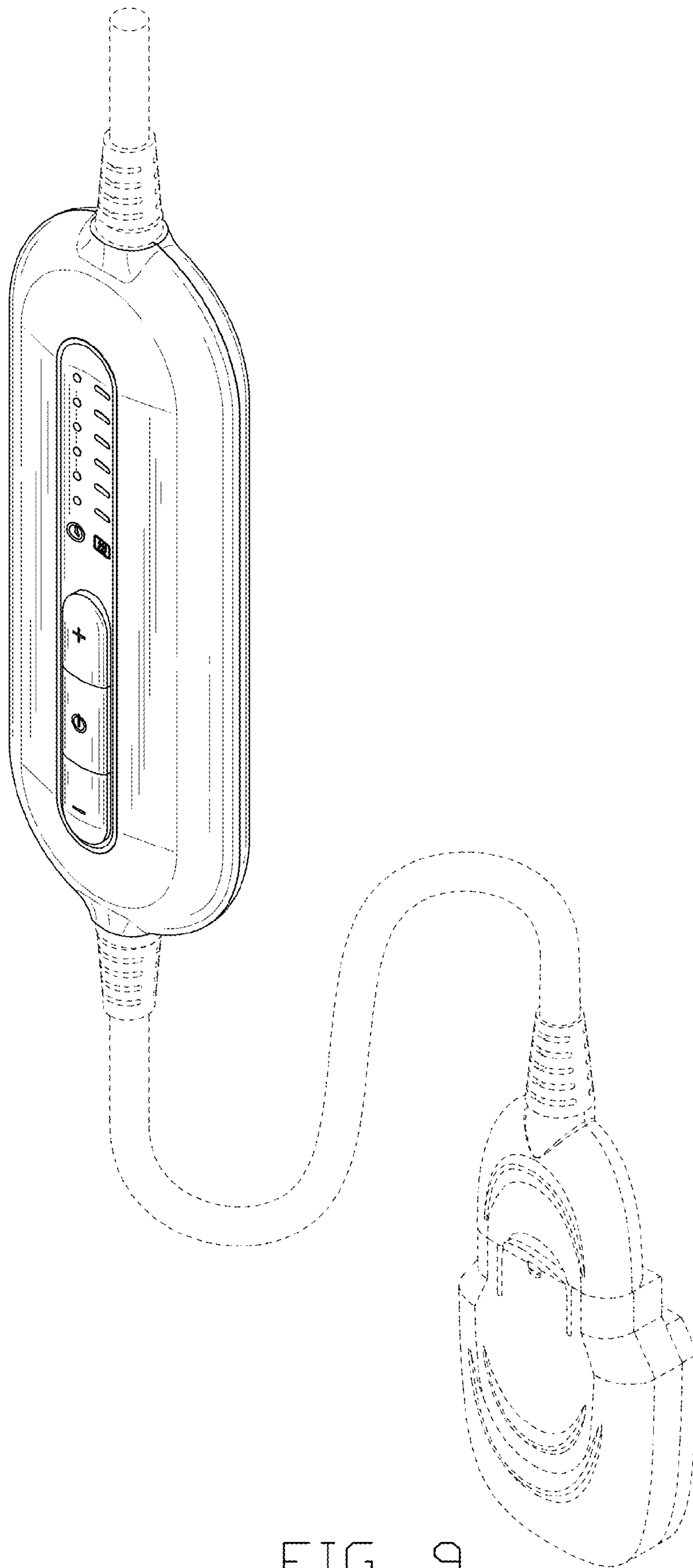


FIG. 9

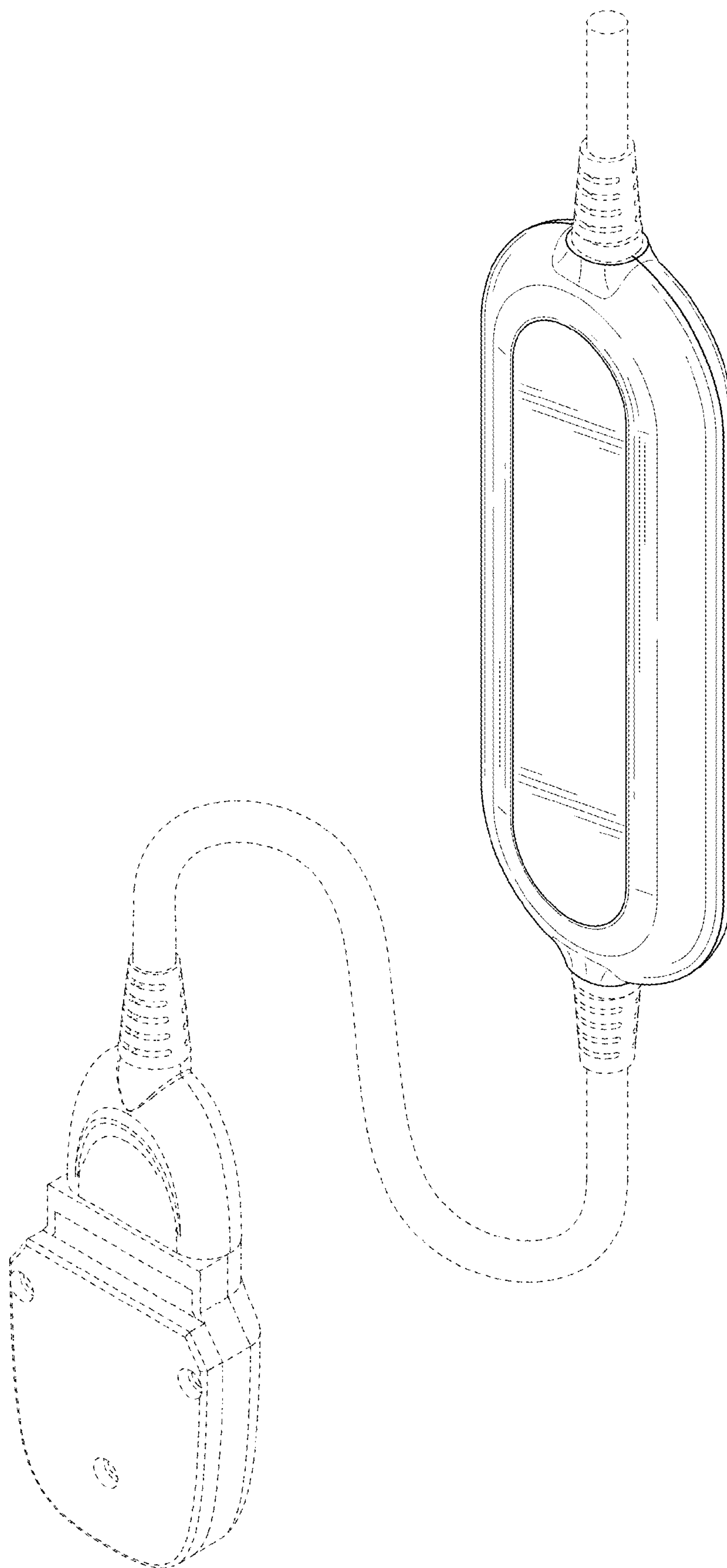


FIG. 10