



US00D983754S

(12) **United States Design Patent**
Kummer

(10) **Patent No.:** **US D983,754 S**

(45) **Date of Patent:** **** Apr. 18, 2023**

(54) **SOCKET**

(71) Applicant: **Schurter Holding AG**, Lucerne (CH)

(72) Inventor: **Patrick Kummer**, St. Erhard (CH)

(**) Term: **15 Years**

(21) Appl. No.: **35/513,131**

(22) Filed: **Sep. 24, 2021**

(80) **Hague Agreement Data**

Int. Filing Date: **Sep. 24, 2021**

Int. Reg. No.: **DM/217671**

Int. Reg. Date: **Sep. 24, 2021**

Int. Reg. Pub. Date: **Dec. 10, 2021**

(51) **LOC (14) Cl.** **13-03**

(52) **U.S. Cl.**
USPC **D13/137.1**

(58) **Field of Classification Search**
USPC D13/137.1-137.4, 156, 110, 139.1-139.4
CPC H02G 3/14; H01R 31/06
See application file for complete search history.

(56) **References Cited**

U.S. PATENT DOCUMENTS

D486,126 S * 2/2004 Aromin D13/137.2
7,247,793 B2 * 7/2007 Hinkson H01R 31/06
174/67

D645,404 S * 9/2011 Chuang D13/139.1
8,294,028 B2 * 10/2012 Huang H02G 3/14
174/67
D677,223 S * 3/2013 Cho D13/110
D751,038 S * 3/2016 Lin D13/137.2
D808,339 S * 1/2018 Page D13/139.4
D811,338 S * 2/2018 Zhu D13/139.1
D847,763 S * 5/2019 Hirayama D13/156
D862,387 S * 10/2019 Weber D13/137.1
D875,683 S * 2/2020 Weber D13/137.1
D886,743 S * 6/2020 Weber D13/139.1
D912,628 S * 3/2021 Fung D13/139.3
D953,997 S * 6/2022 Su D13/139.1
D955,991 S * 6/2022 Solak D13/137.1
D967,028 S * 10/2022 Fu D13/139.1

* cited by examiner

Primary Examiner — Rhea Shields

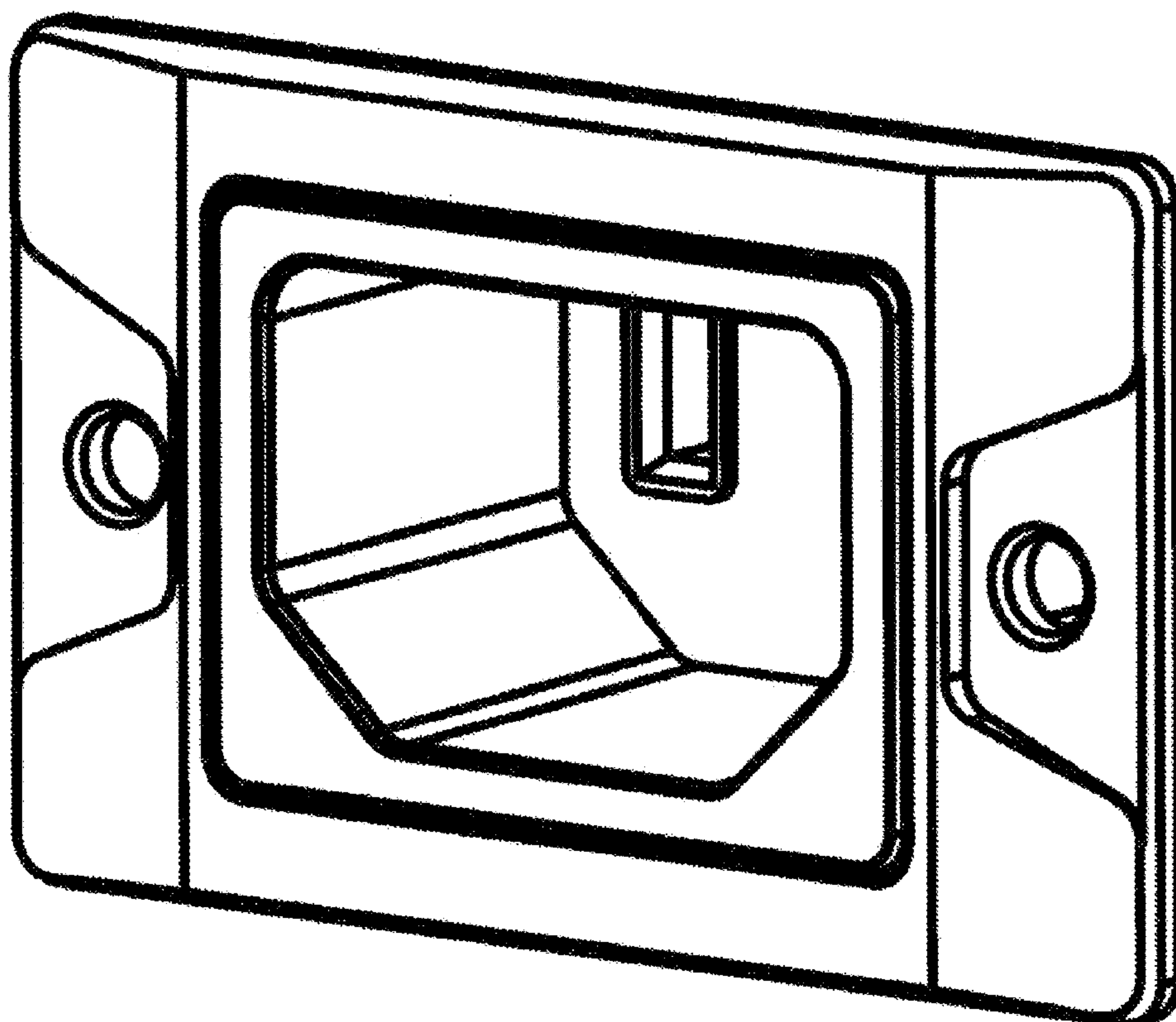
(57) **CLAIM**

The ornamental design for a socket, as shown and described.

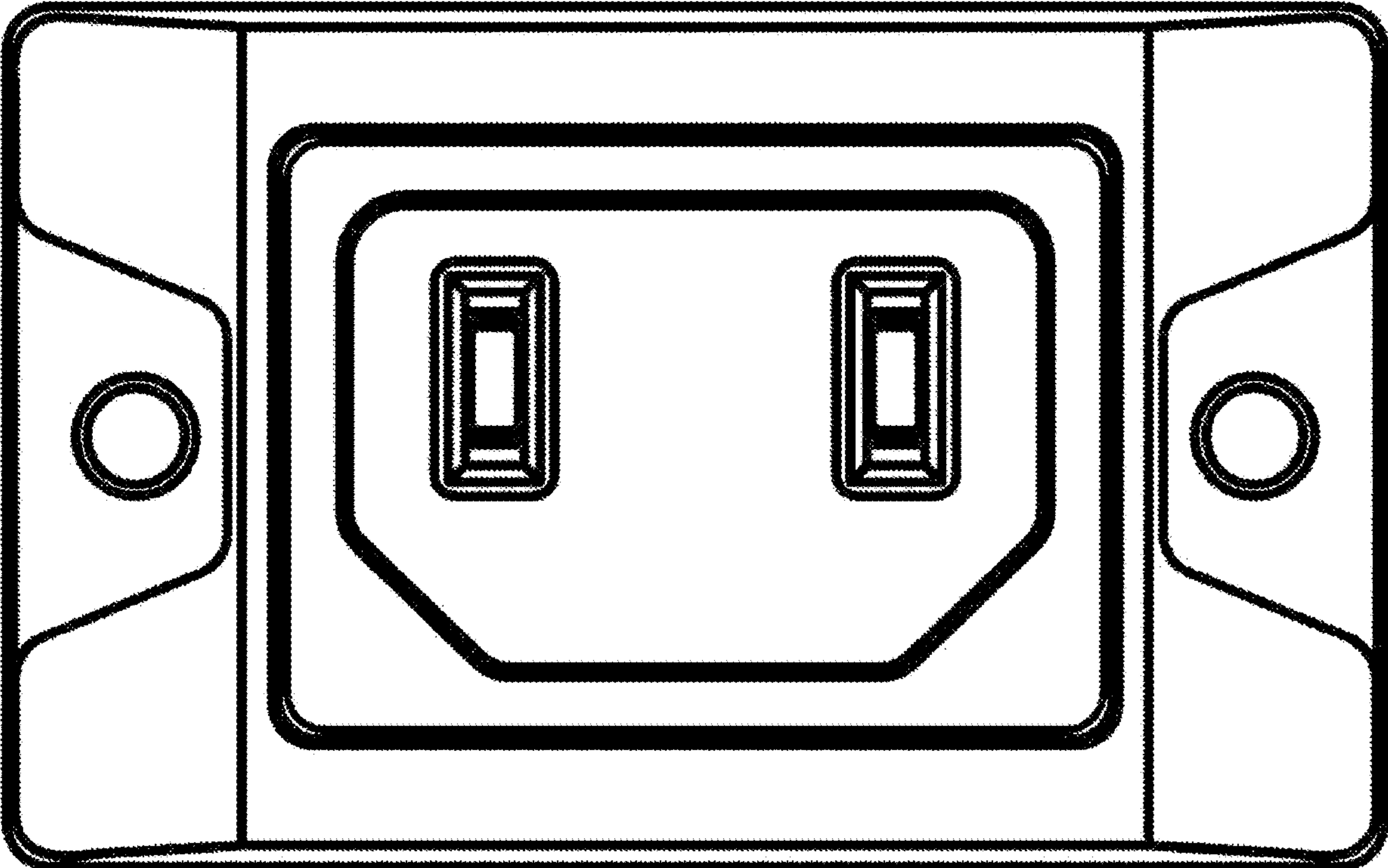
DESCRIPTION

- 2. Socket
- 2.1 : Front
- 2.2 : Right
- 2.3 : Bottom
- 2.4 : Left
- 2.5 : Top
- 2.6 : Back
- 2.7 : Perspective
- 2.8 : Perspective

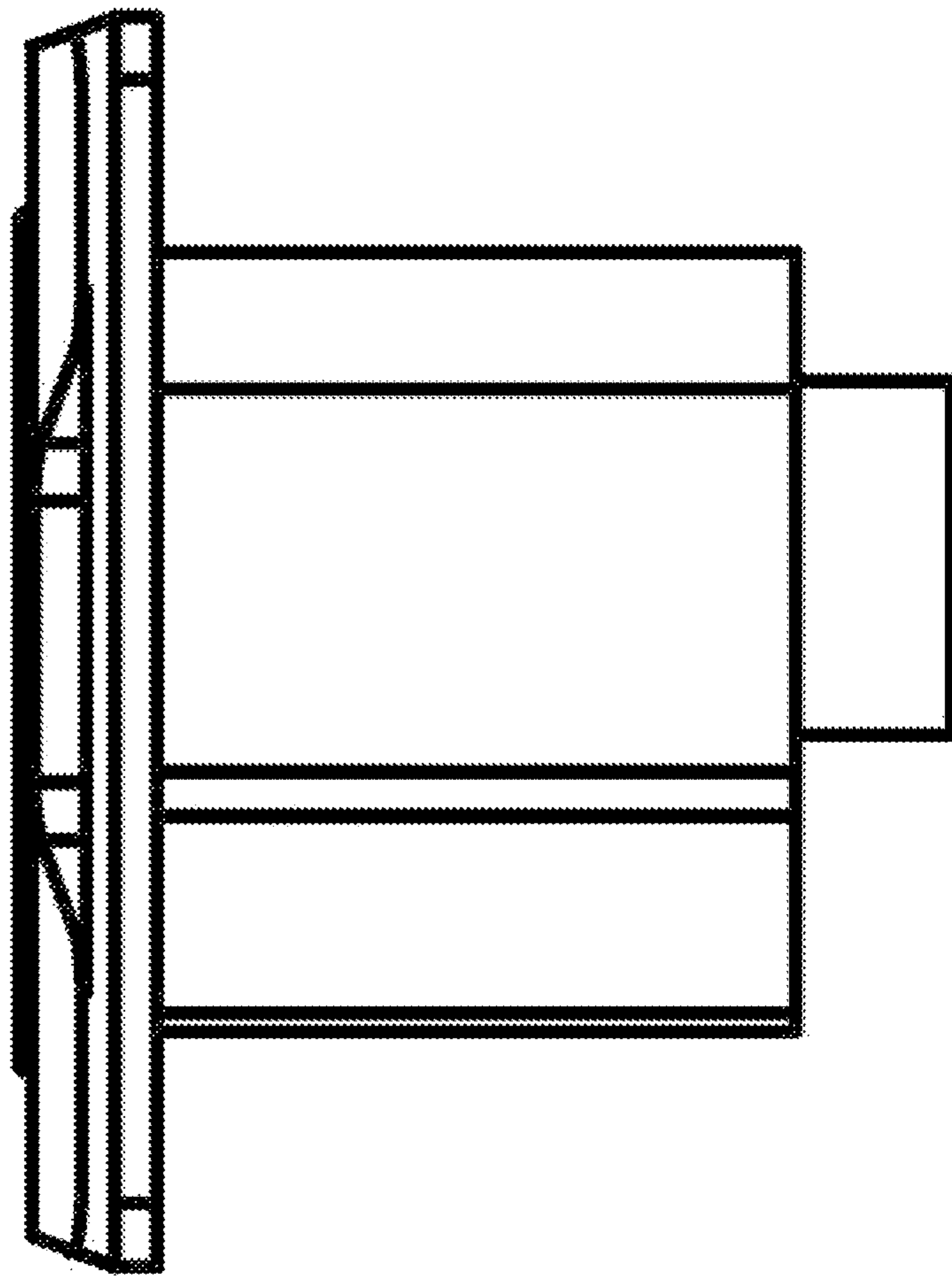
1 Claim, 8 Drawing Sheets



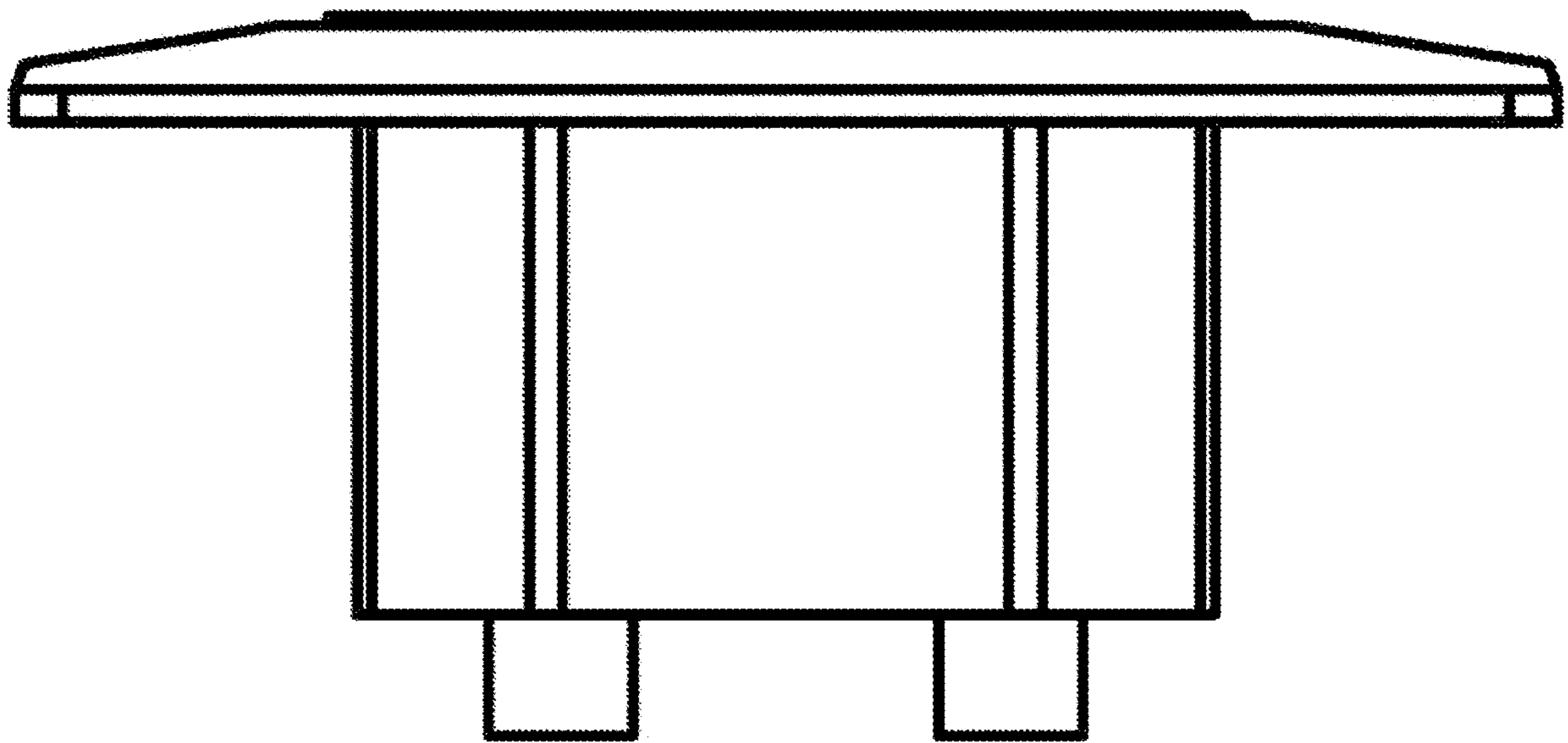
2.1



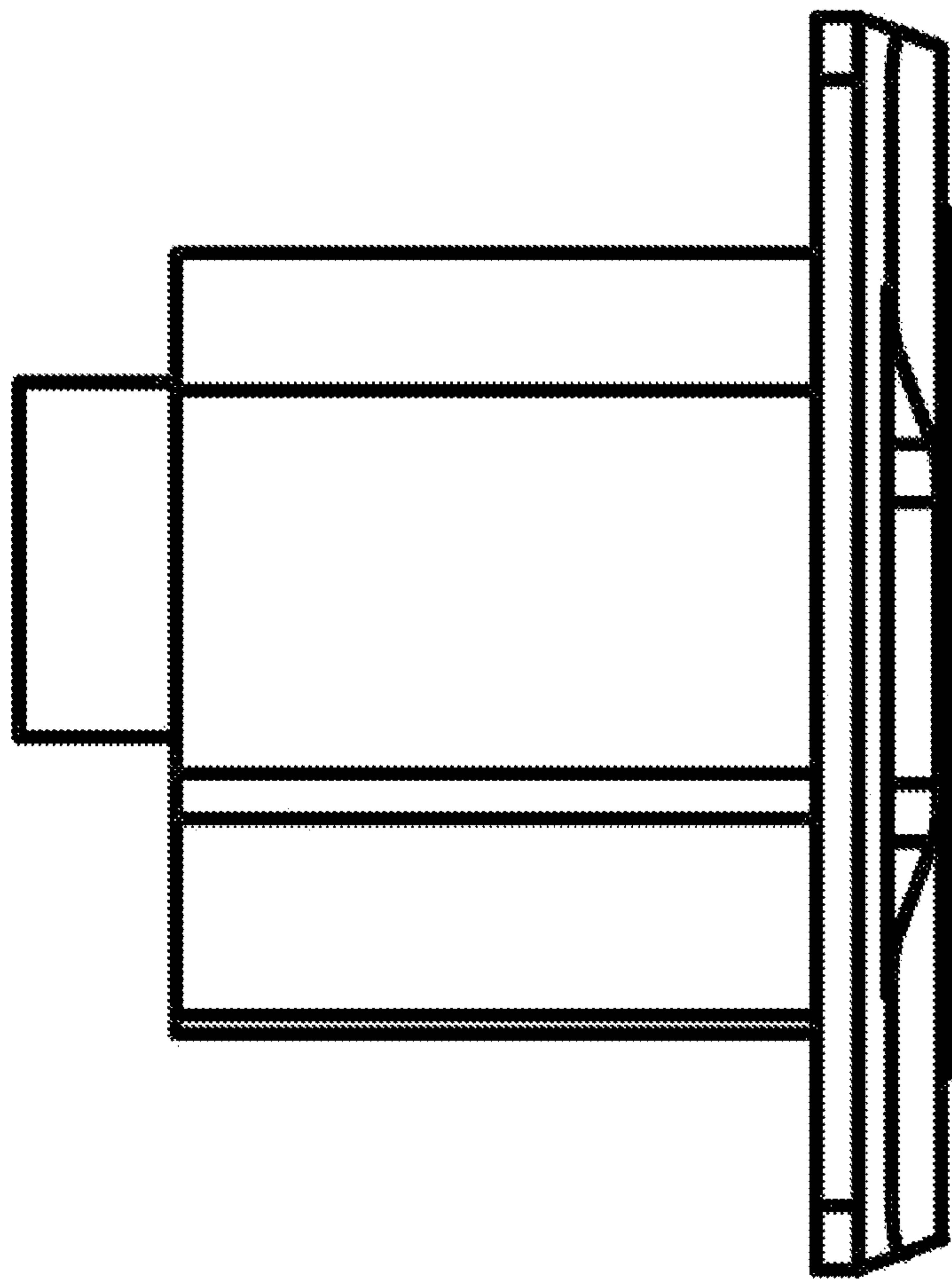
2.2



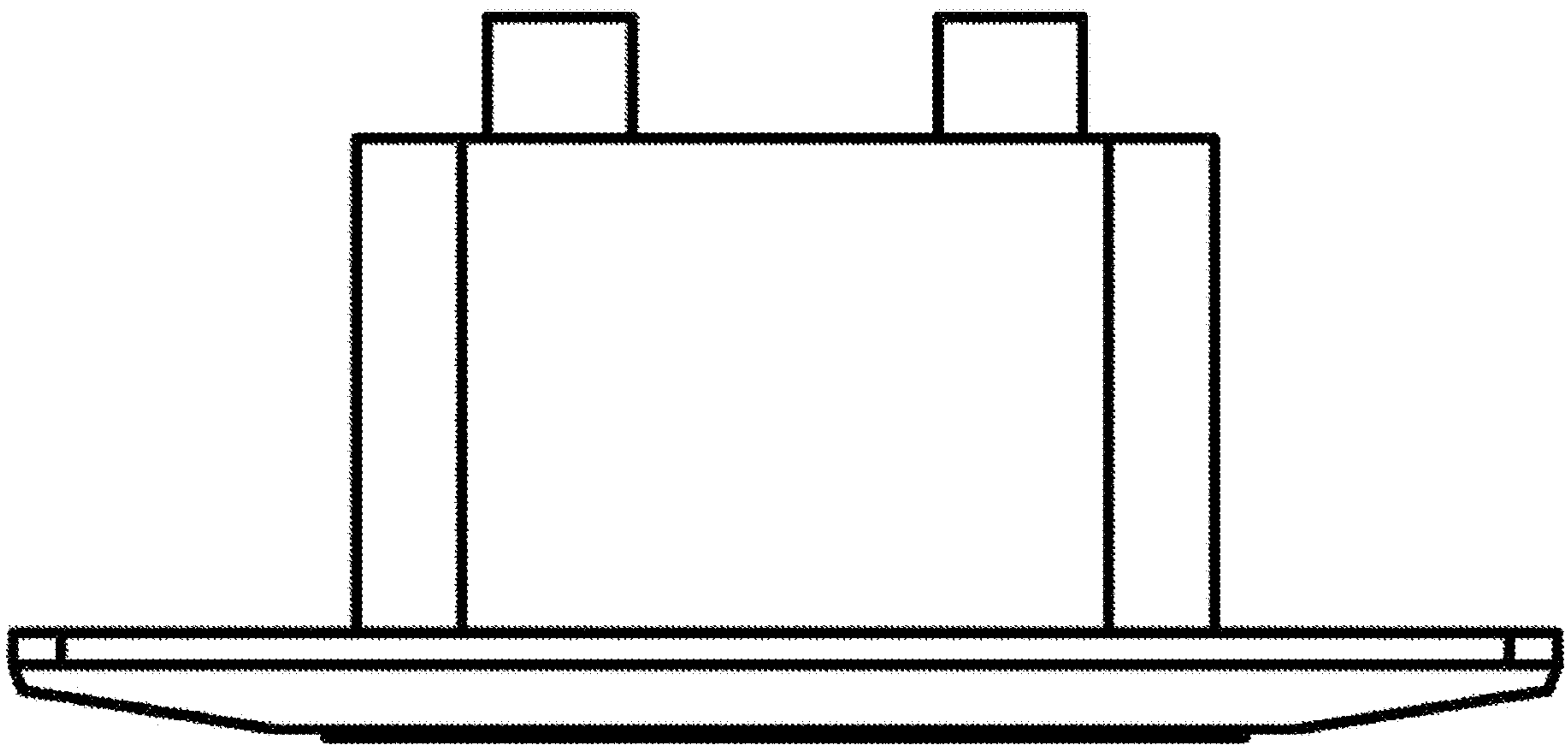
2.3



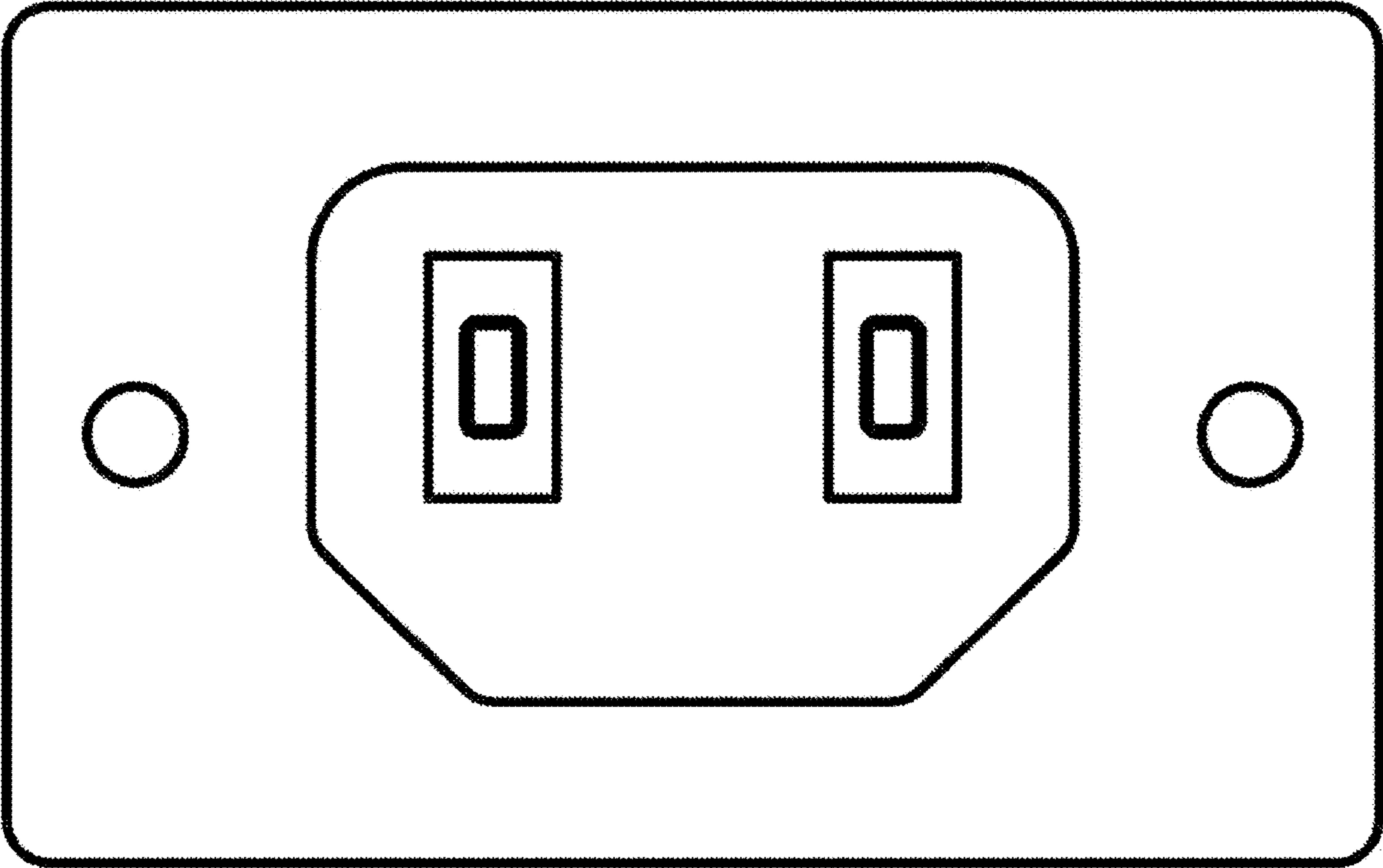
2.4



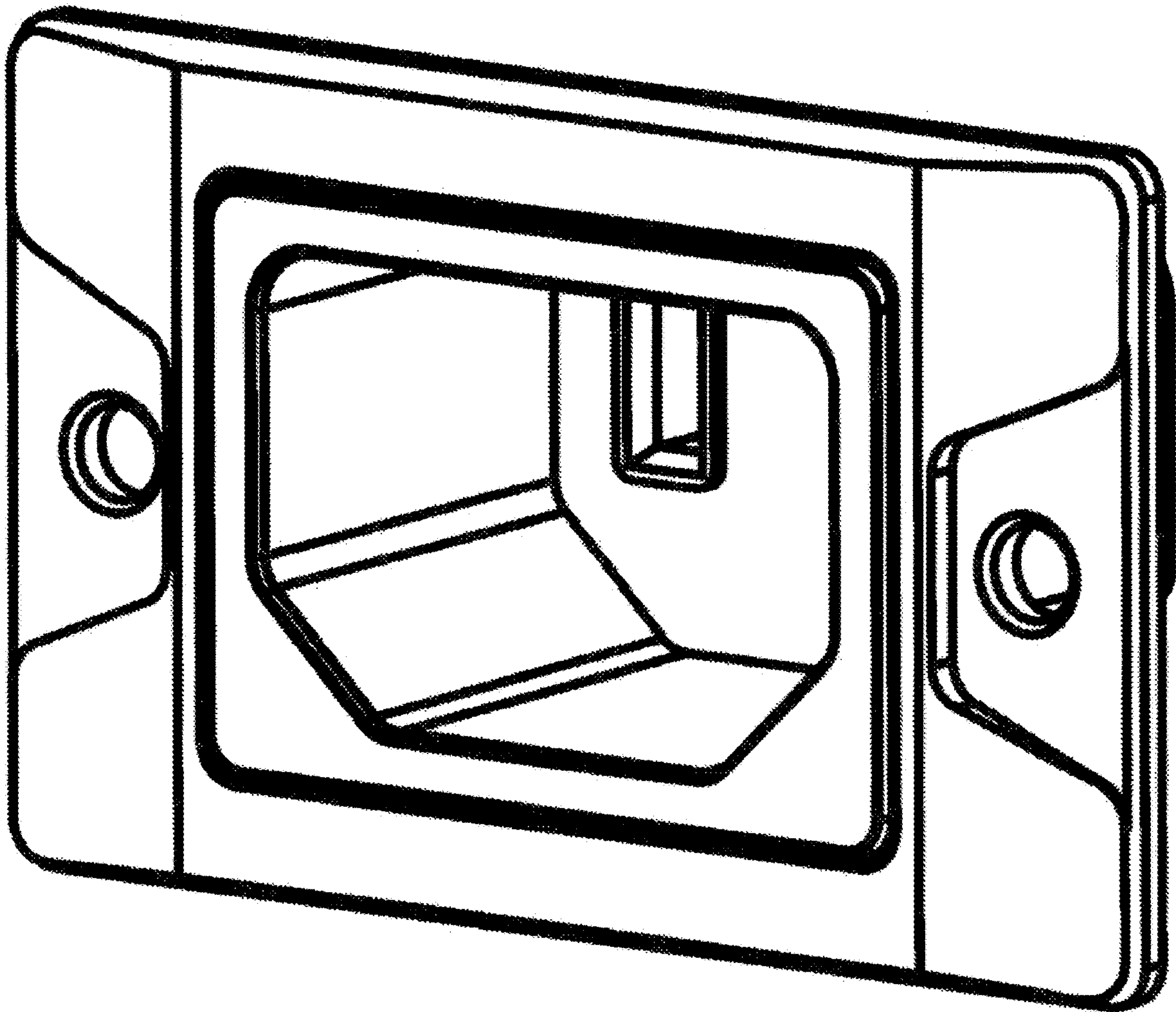
2.5



2.6



2.7



2.8

